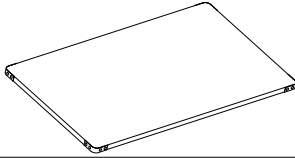
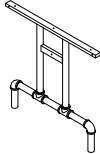
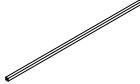
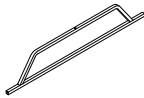



ASSEMBLY INSTRUCTION FOR ACME FURNITURE







MODEL# DN01057 Dining Table

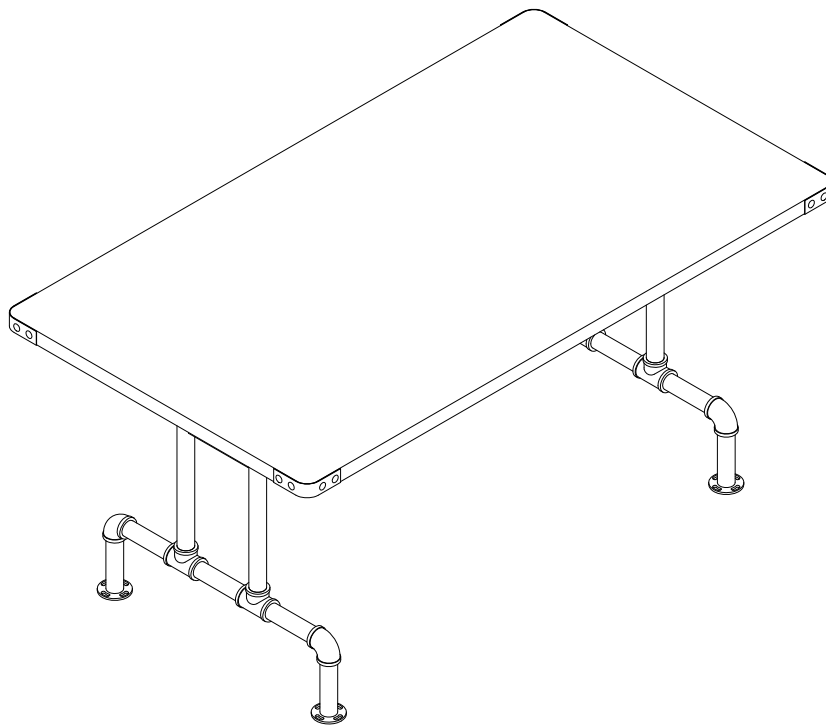
Thank you for purchasing this quality product. Be sure to check all packing materials carefully for small parts which may have come loose inside the carton during shipment. Separate, identify, and count all parts and metal hardware. Compare with parts list to be sure all parts are present. If any part(s) are missing or damaged, please contact your local furniture dealer. For efficient and speedy service, please indicate the model number and code letter of the part(s) needed.

*** Do not fully tighten screws until fully assembled ***

COMPONENT PARTS		
DECERPTION	PART NAME	Q'TY(PCS)
①	Table Top 	1pc
②	Side Frame 	2pcs
③	Side Frame Connector 	2pcs
④	Middle Support Frame 	1pc
⑤	Foot 	4pcs

HARDWARE REQUIRED:

Ⓐ		Bolt 1/4"x1-3/8" - 7pcs
Ⓑ		Bolt 1/4"x2-3/8" - 4pcs
Ⓒ		Washer Ø20xØ6x1.5 - 13pcs
Ⓓ		Allen Wrench M4 - 1pc
Ⓔ		Floor Protector - 4pcs
Ⓕ		Bolt 1/4"x1-5/8" - 2pcs



Attention:

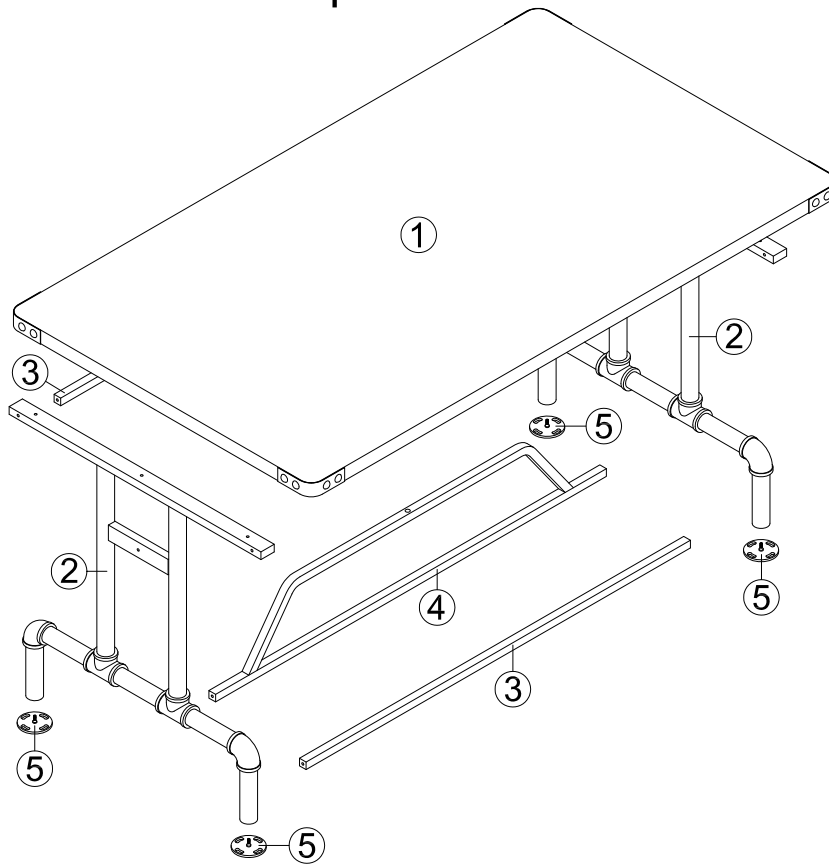
***Mattresses not included.

***Some number parts listed on the instruction sheet may not be in parts bag as they may already be assembled. Carefully check parts and packing materials prior to ordering replacements.

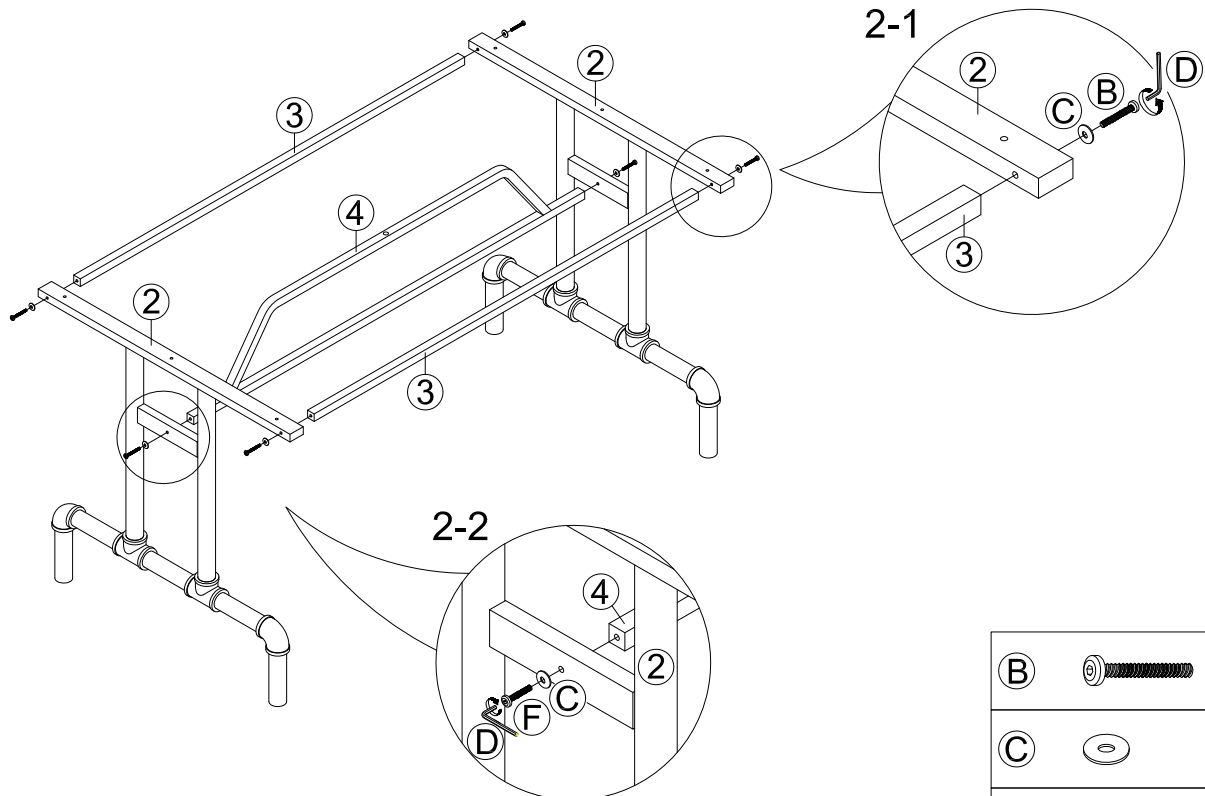
How to Assemble:




STEP 1.

Exploded View



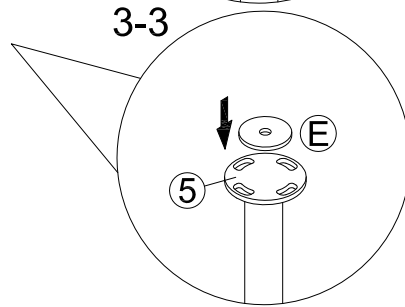
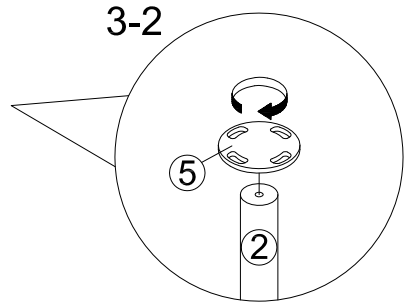
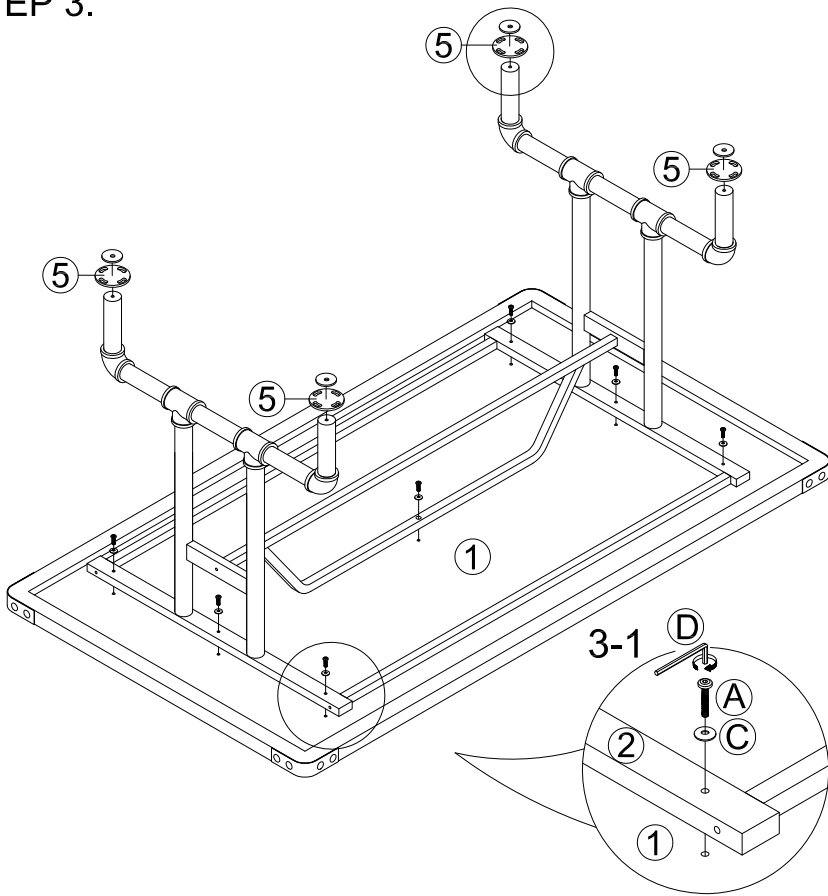
STEP 2.






(B)		4pcs
(C)		6pcs
(F)		2pcs

How to Assemble:

STEP 3.



A		7pcs
C		7pcs
E		4pcs

STEP 4.

