





ASSEMBLY INSTRUCTION FOR ACME FURNITURE

Model: DN01188

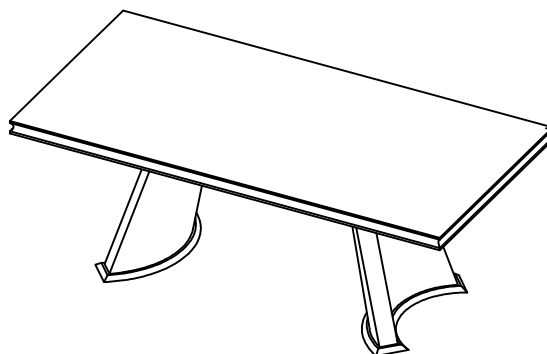
Thank you for purchasing the quality product. Be sure to check all packing material carefully for small parts which may have come loose inside the carton during shipment. Separate, Identify and count all parts and metal hardware. Compare with all parts listed to be sure all parts are present. If any part(s) are missing or damaged, please contact your local furniture dealer. For efficient and speedy service, please indicate the model number and code letter of part(s) needed"

****Do not fully tighten screws until fully assembled****

COMPONENT PARTS		
DESIGNATION	PART NAME	QTY (PCS)
A	Table top frame 	1
B	Stainless steel pillar 	2
C	Stainless steel pillar 	2
D	Table top 	1

HARDWARE REQUIRED

1	Allen key	1 1	M6 M5	
2	Bolt	10	M8*30mm	
3	Bolt	6	M8*60mm	
4	Washer	16	Dia20mm	
5	Washer	4	19x19mm	
6	Adjust leg	10	Dia20mm	

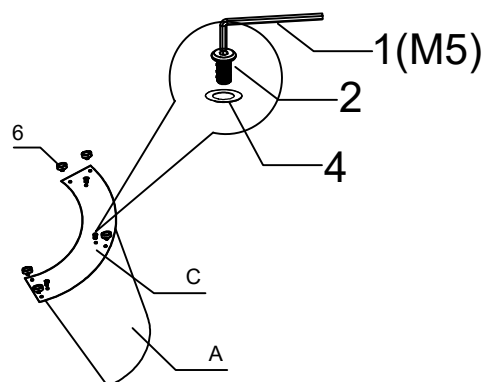


Attention

***Some number parts listed on the instruction sheet may not be in parts bag as they may be assembled. Carefully check parts and packing materials prior to ordering replacements.

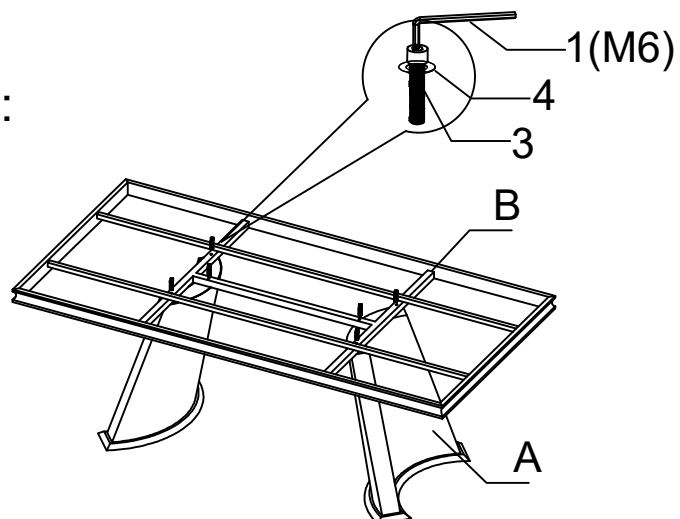
How to assemble

step 1:



Use Screw (2) M8X30mm to lock the stainless steel pillar(A) and Stainless steel base(C)

step 2:



Connect Table top frame(B) to Stainless steel pillar (A) with screw (3)(M8*60), Tighten

step 3:



Stick the mat (5) on 4 corners of the Table Top frame (B) then assemble the Table top(D) on the frame by aligning all the corners gently