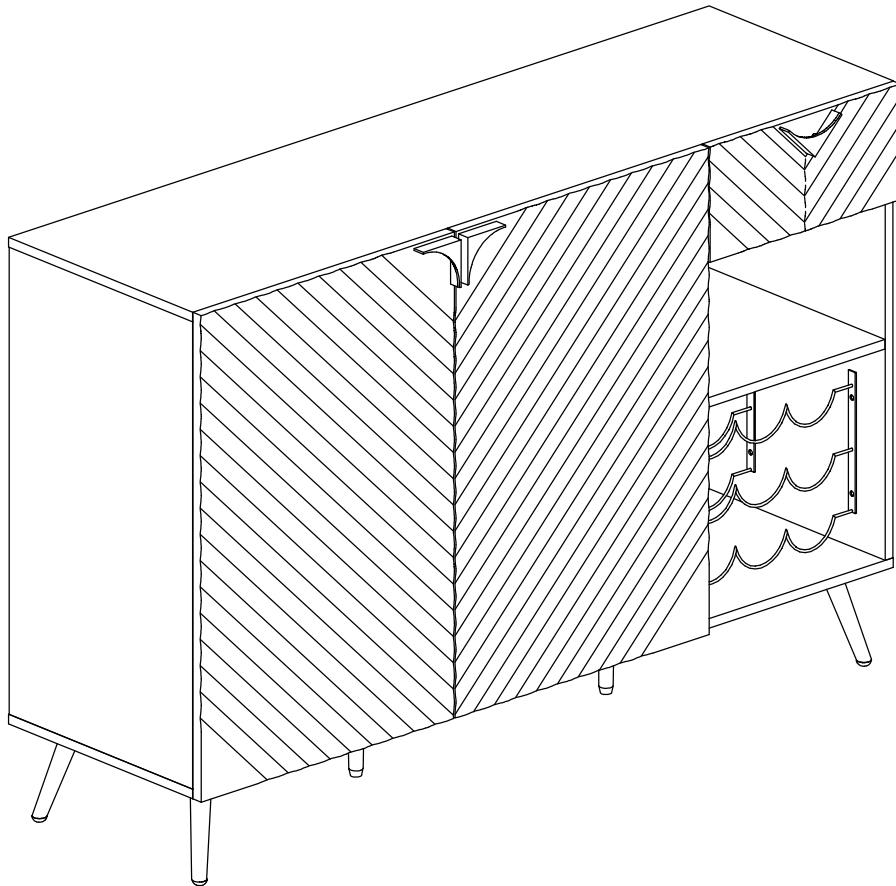


ASSEMBLY INSTRUCTION FOR ACME FURNITURE

MODEL#DN01260/DN01262

Thank you for purchasing the quality product. Be sure to check all packing material carefully for small parts which may have come loose inside the carton during shipment. Separate, identify and count all parts and metal hardware. Compare with all parts list to be sure all parts are present. If any part(s) are missing or damaged, please contact your local furniture dealer. For efficient and speedy service, please indicate the model number and code letter of part(s) needed.

*****Do not fully tighten screws until fully assembled*****

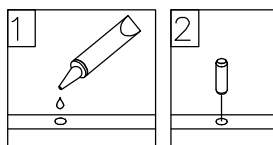


Attention:

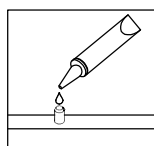
*****Some number parts listed on the instruction sheet may not be in parts bag as they may already be assembled. Carefully check parts and packing materials prior to ordering replacements.**

General Assembly Guidelines

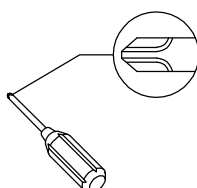
- I. Ensure that all parts and hardware are available before beginning assembly.
- II. Follow each step carefully to ensure the proper assembly of this product.
- III. Two people are recommended for ease in the assembly of this product.
- IV. The three main types of hardware used to assemble this product are: wood dowels, screws and bolts.
- V. The provided glue is to secure wood dowels in place. When first inserting dowels, locate the appropriate hole for the dowel, place a small amount of glue in the hole and insert the dowel. Wipe away excess glue immediately.



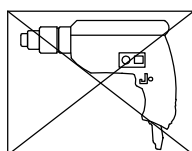
In future assembly steps when dowels are necessary to attach assembly parts together, place a small amount of glue on the end of the dowel before attaching parts together. Wipe away excess glue immediately.



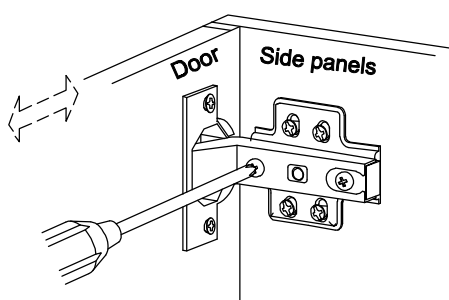
- VI. A Phillips head screwdriver is required for the assembly of this product.



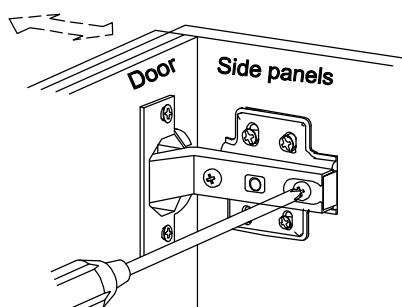
- VII. Power tools should not be used to assemble this product.



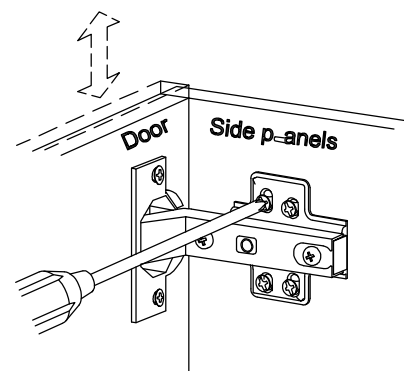
- VIII. Concealed hinges are three-way adjustable.



Horizontal
by screw adjustment

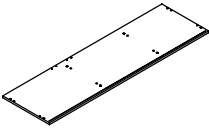
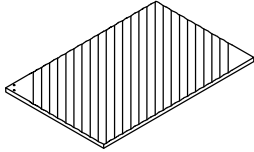
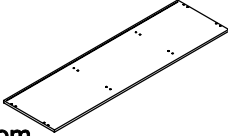
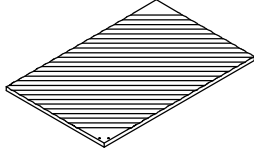
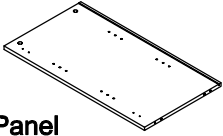
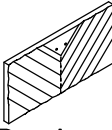
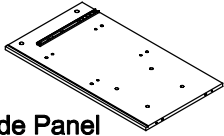
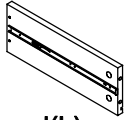
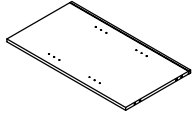
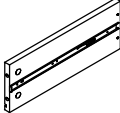
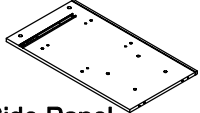
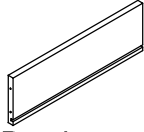
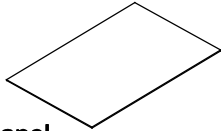
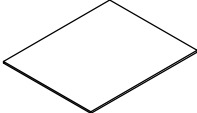
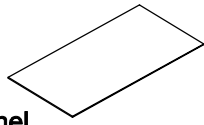
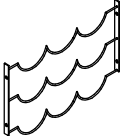
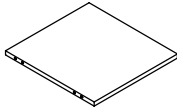

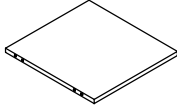
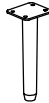
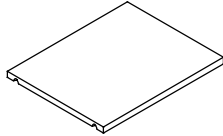


In-and-Out
by loosening the hinge-arm
mounting screw or via cam
adjustment













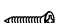








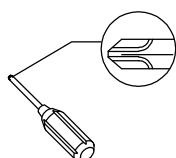
Vertical
Via slots in the mounting
plate or via cam adjustment

COMPONENT PARTS

DESCRIPTION	PART NAME	QTY(PCS)	DESCRIPTION	PART NAME	QTY(PCS)
①	Table Top 	1	⑫	Door 	1
②	Table Bottom 	1	⑬	Door 	1
③	Left Side Panel 	1	⑭	Drawer Front Panel 	1
④	Right Side Panel 	1	⑮	Drawer Side Panel(L) 	1
⑤	Middle Side Panel 	1	⑯	Drawer Side Panel(R) 	1
⑥	Middle Side Panel 	1	⑰	Drawer Back Panel 	1
⑦	Back Panel 	2	⑱	Drawer Bottom Panel 	1
⑧	Back Panel 	1	⑲	Wine Rack 	2
⑨	Shelf 	1	⑳	Metal Legs 	4
⑩	Shelf 	1	㉑	Metal Legs 	2
⑪	Shelf 	4			

Hardware List

A		Ø8x30mm	Wooden dowel	24 pcs
B		Ø6x35mm	Cam bolt	20 pcs
C		Ø15x12mm	Cam lock	20 pcs
D			Sticker	20 pcs
E		Ø6x50mm	Screw	8 pcs
F			Hinge	4 pcs
G		4mm	Allen Key	1 pcs
H			Handle	3 pcs
I			Glue tube	1 pcs
J		Ø4x30mm	Screw	4 pcs
K		Ø3.5x14mm	Screw	24 pcs
M			Plastic wedge	12 pcs
N		Ø3x16mm	Screw	20 pcs
O		Ø8x5x16mm	Shelf support pin	16 pcs
P			Door stopper	2 pcs
Q		Ø4x20mm	Screw	6 pcs
R			Metal piece	2 pcs
S		Ø4x14mm	Screw	24 pcs
T		M6x12mm	Bolt	8 pcs

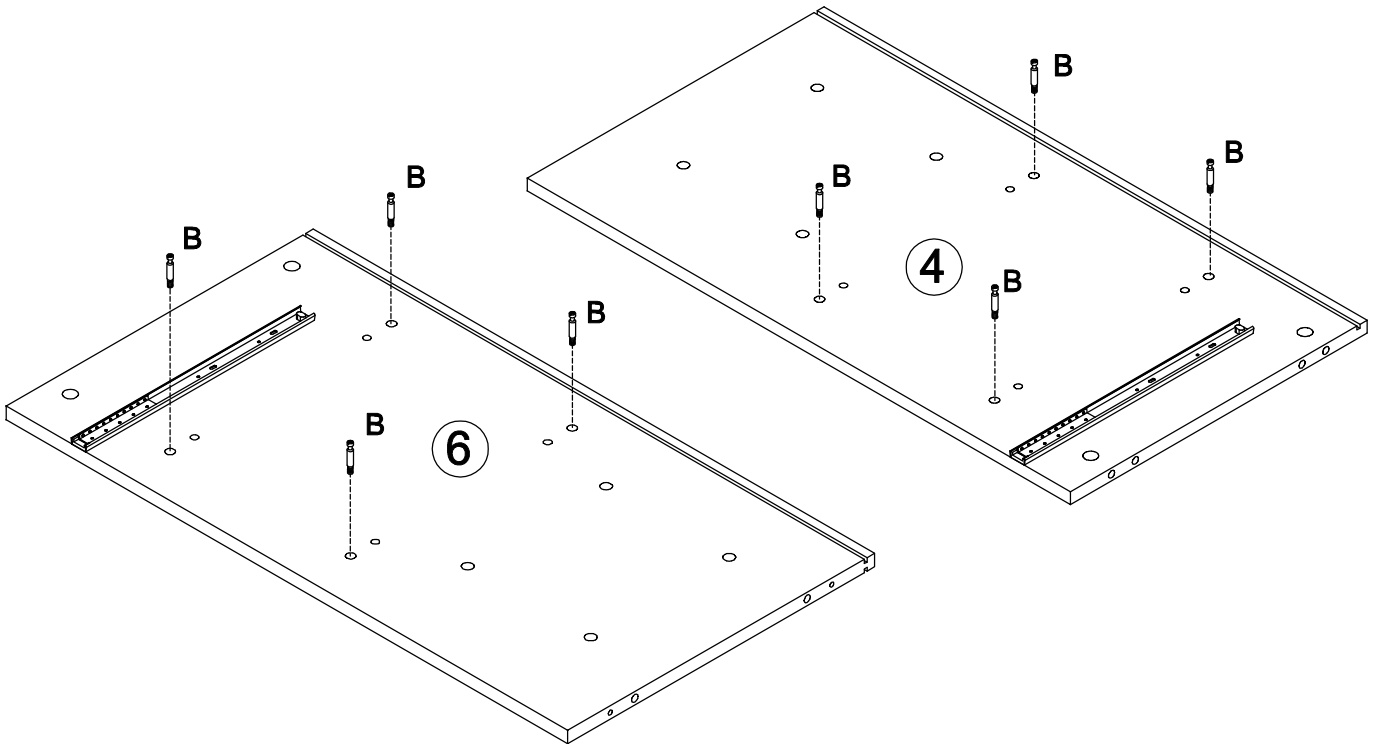


Philips head screwdriver required for assembly
(not included)

*The hardware quantities listed above are required for proper assembly.
Some extra hardware may also have been included.*

Step 1

B x 8

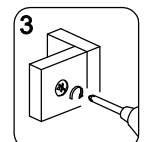
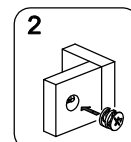
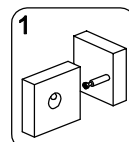
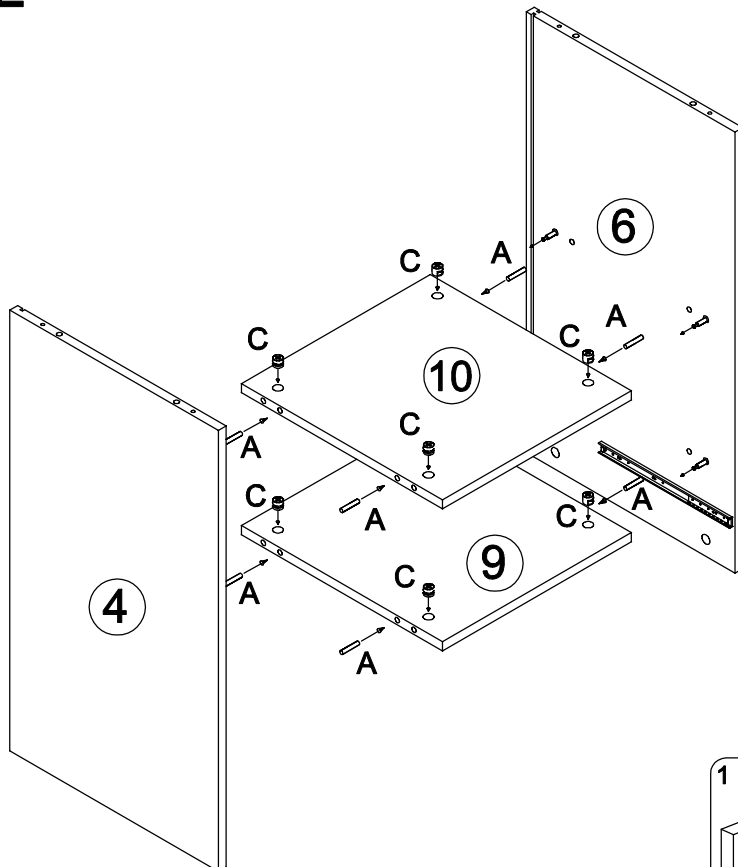


Step 2




A x 8

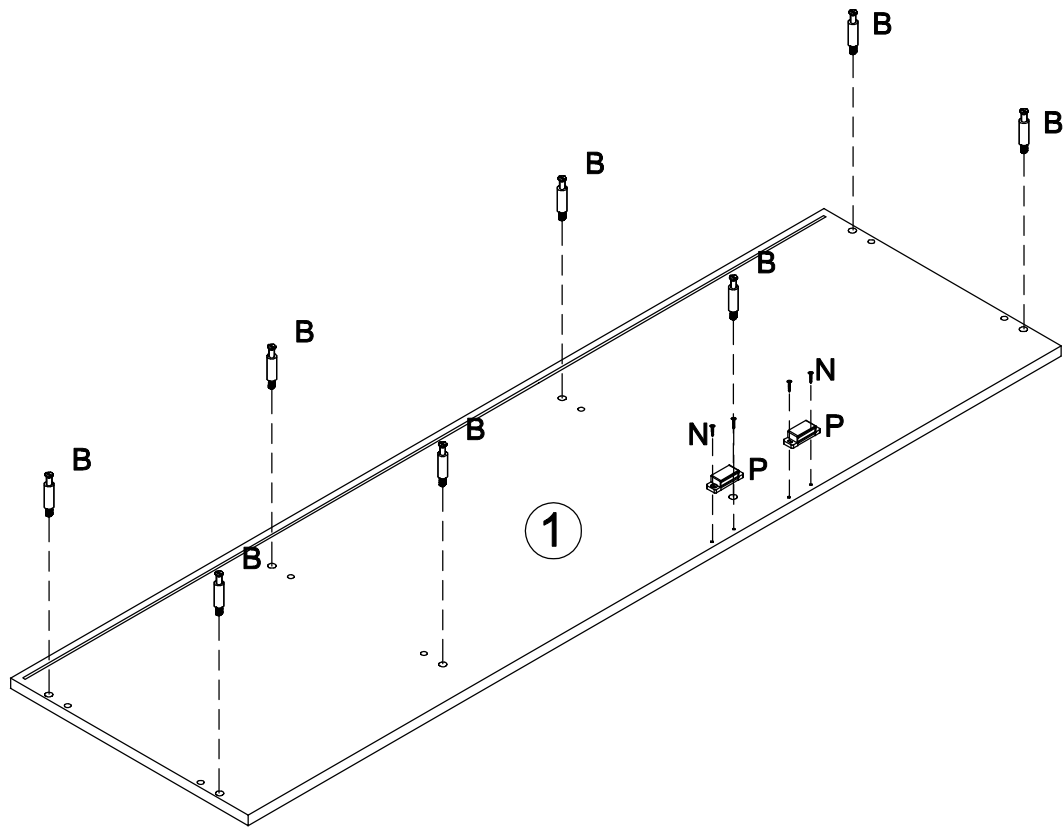


C x 8





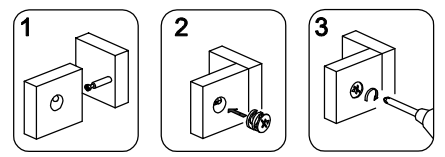
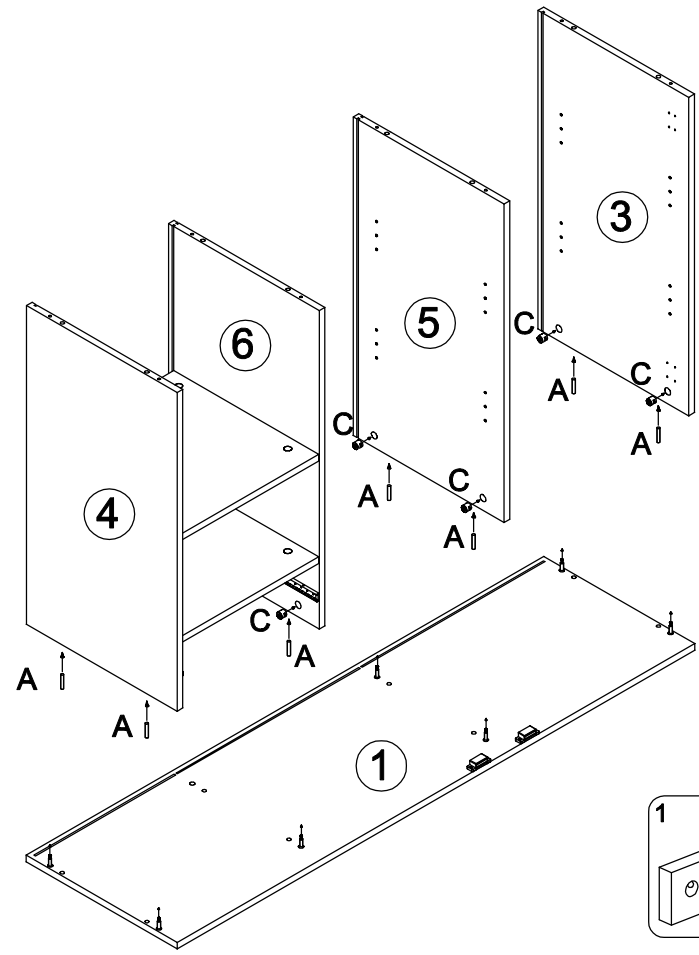
Step 3

B x 8	N x 4	P x 2
 Ø6x35mm	 Ø3x16mm	

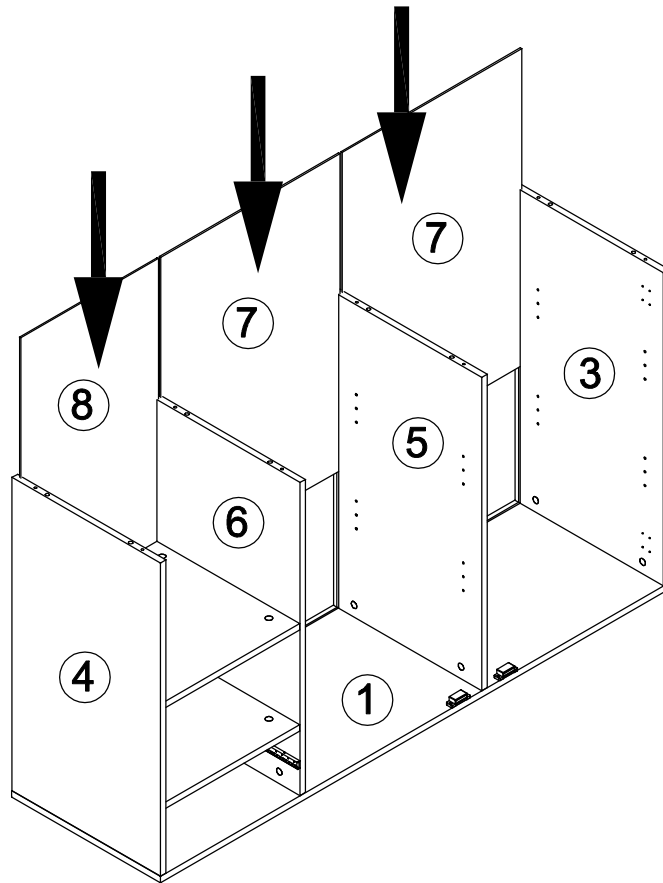


Step 4

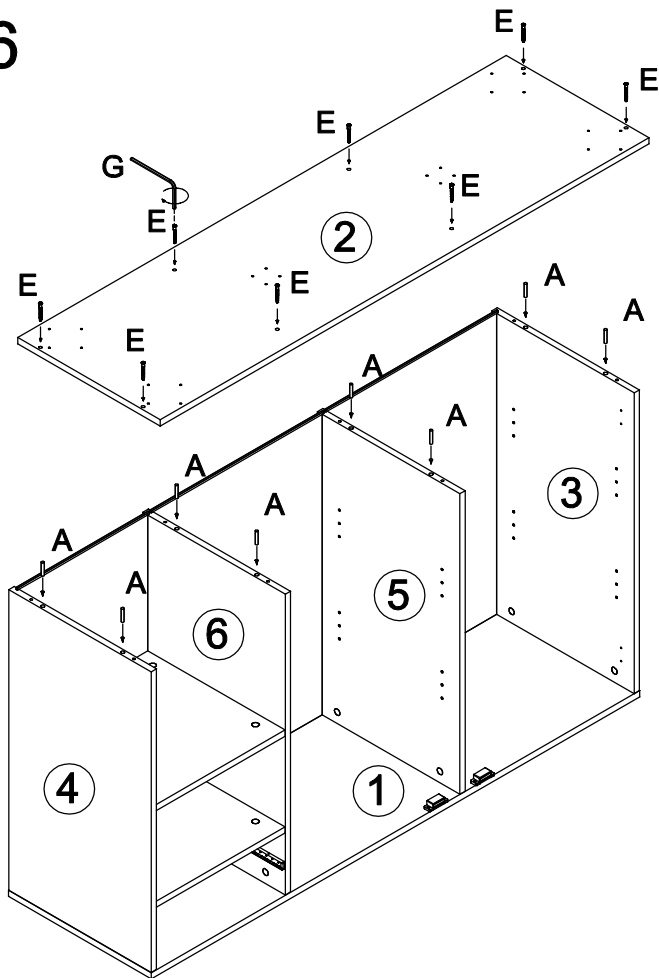
A x 8	C x 8
 Ø8x30mm	 Ø15x12mm






Step 5



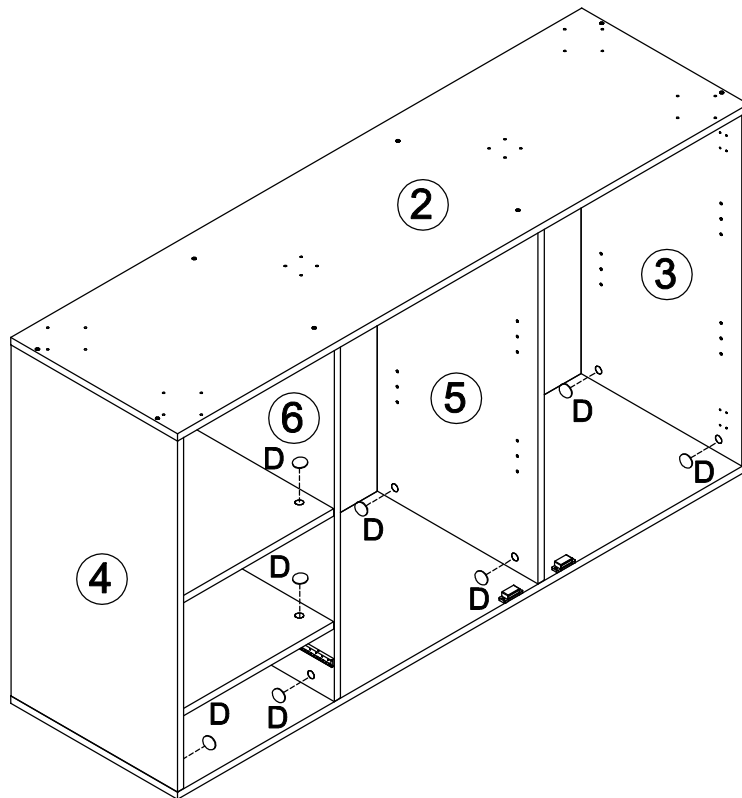

Step 6



A x 8  Ø8x30mm	E x 8  Ø6x50mm	G x 1  4mm
--	--	--


Step 7

D x 16




Step 8

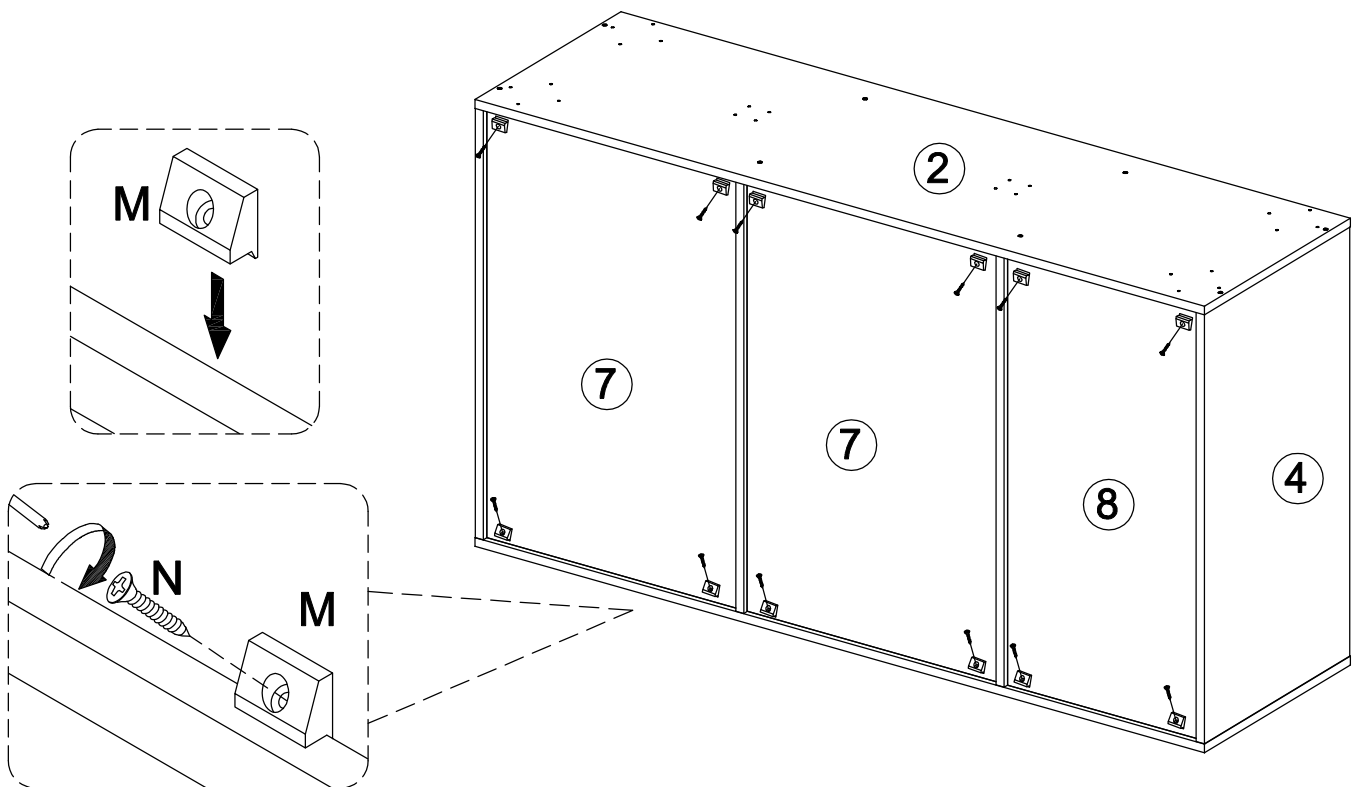
M x 12



N x 12

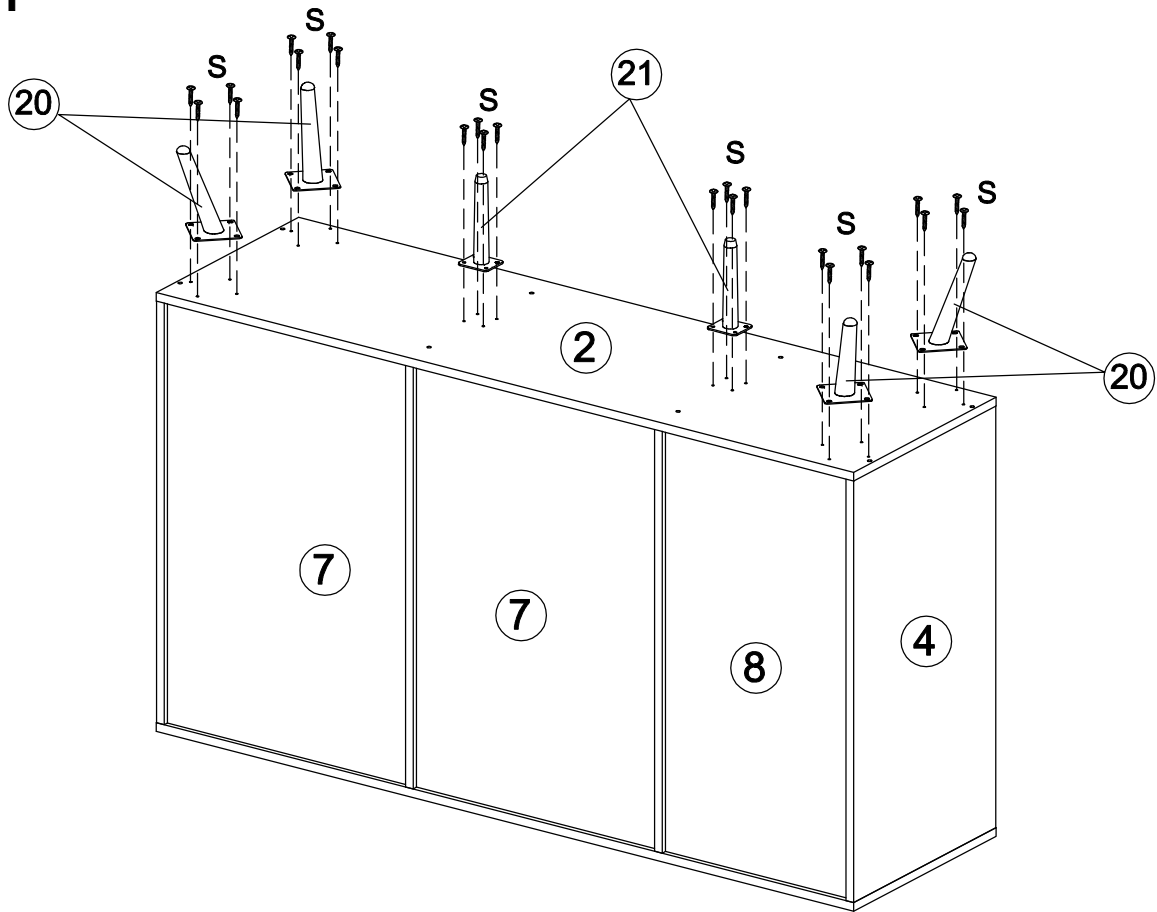


Ø3x16mm



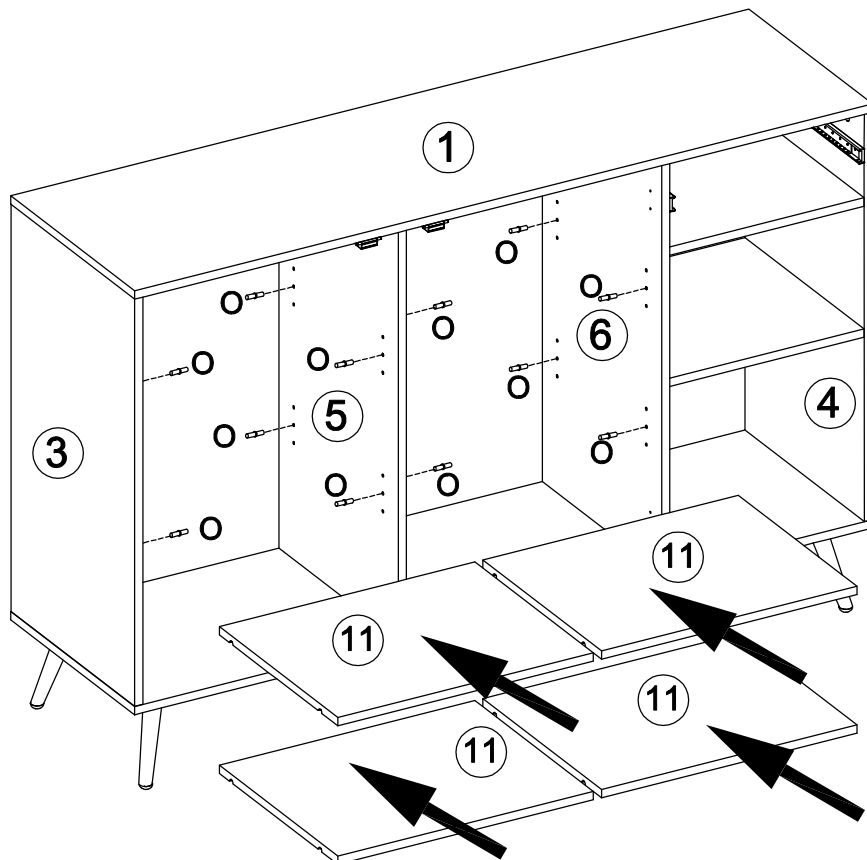
Step 9

S x 24
←
Ø4x14mm

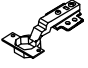







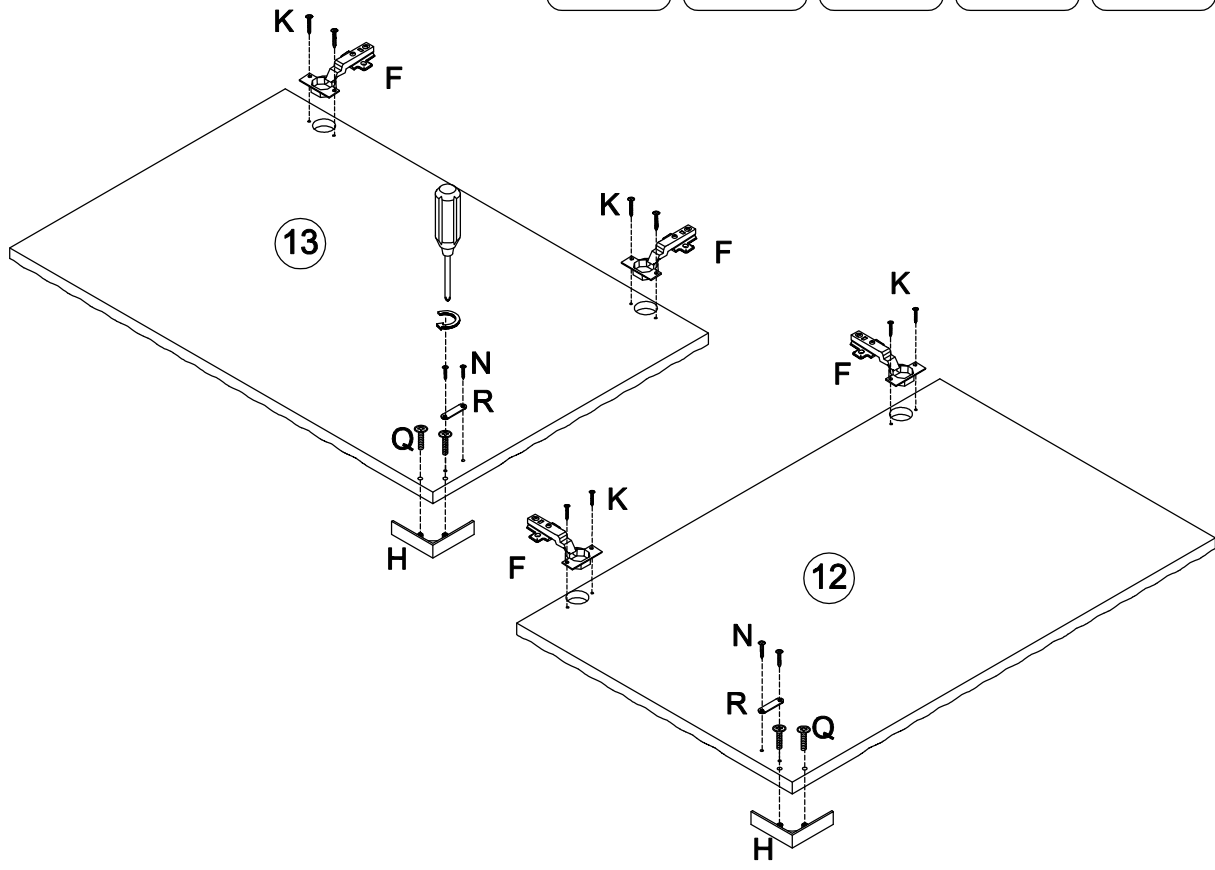
Step 10

O x 16
⇨





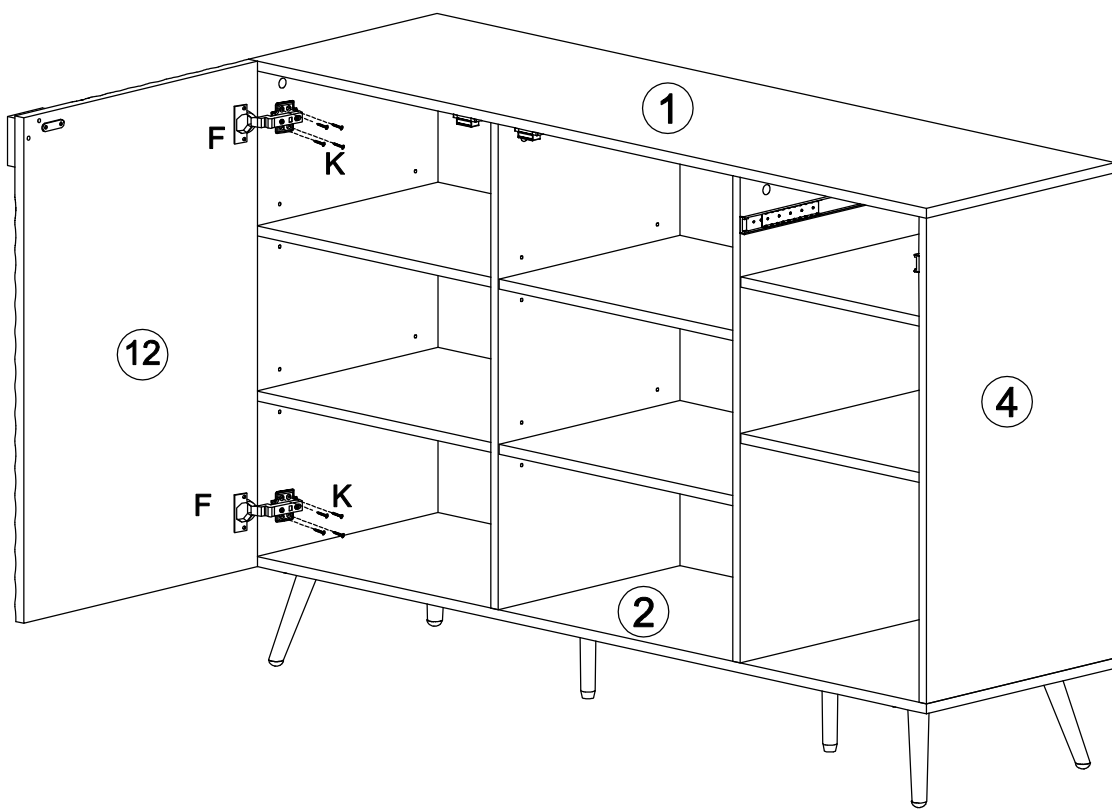
Step 11

F x 4 	H x 2 	K x 8  Ø3.5x14mm	R x 2 	N x 4  Ø3x16mm	Q x 4  Ø4x20mm
---	---	--	---	--	--





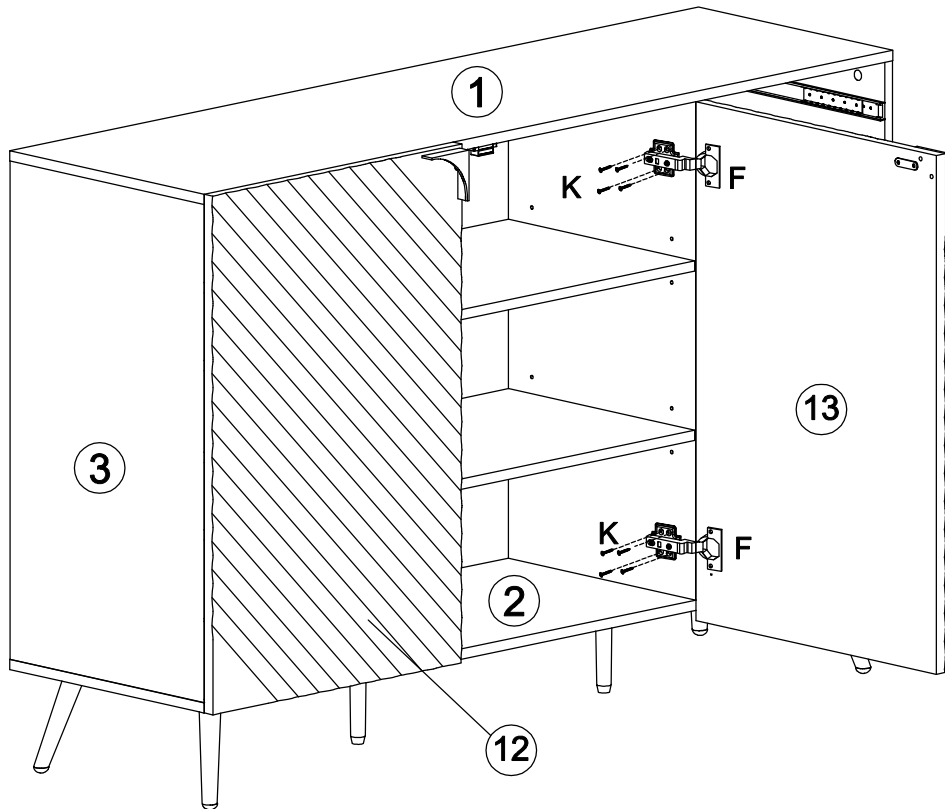
Step 12

F x 2 	K x 8  Ø3.5x14mm
---	--






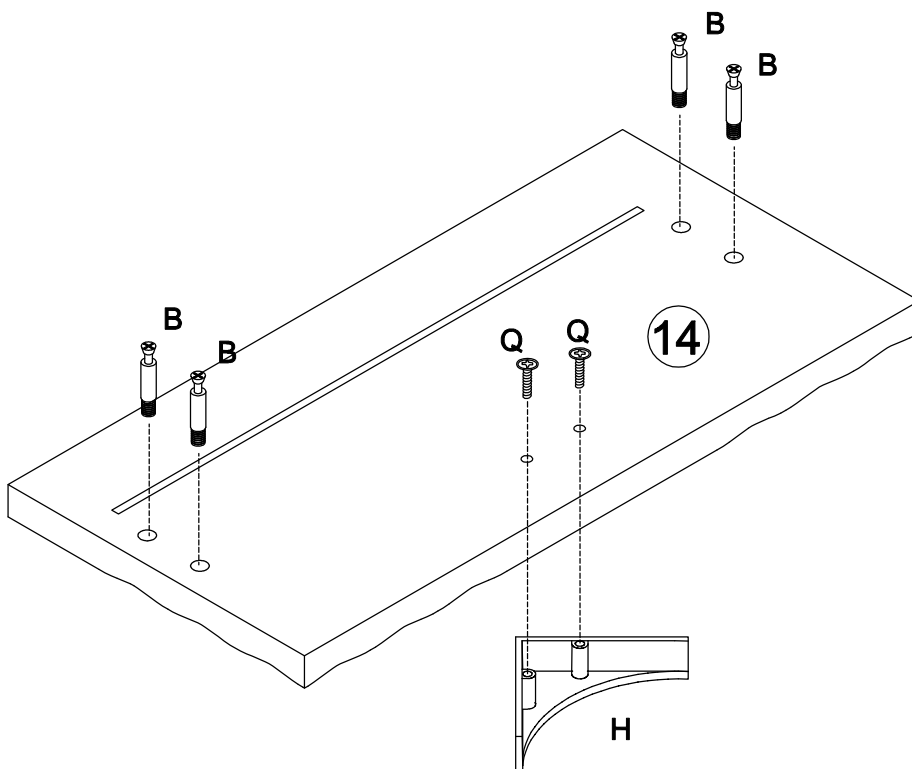
Step 13

F x 2	K x 8
	
	Ø3.5x14mm



Step 14

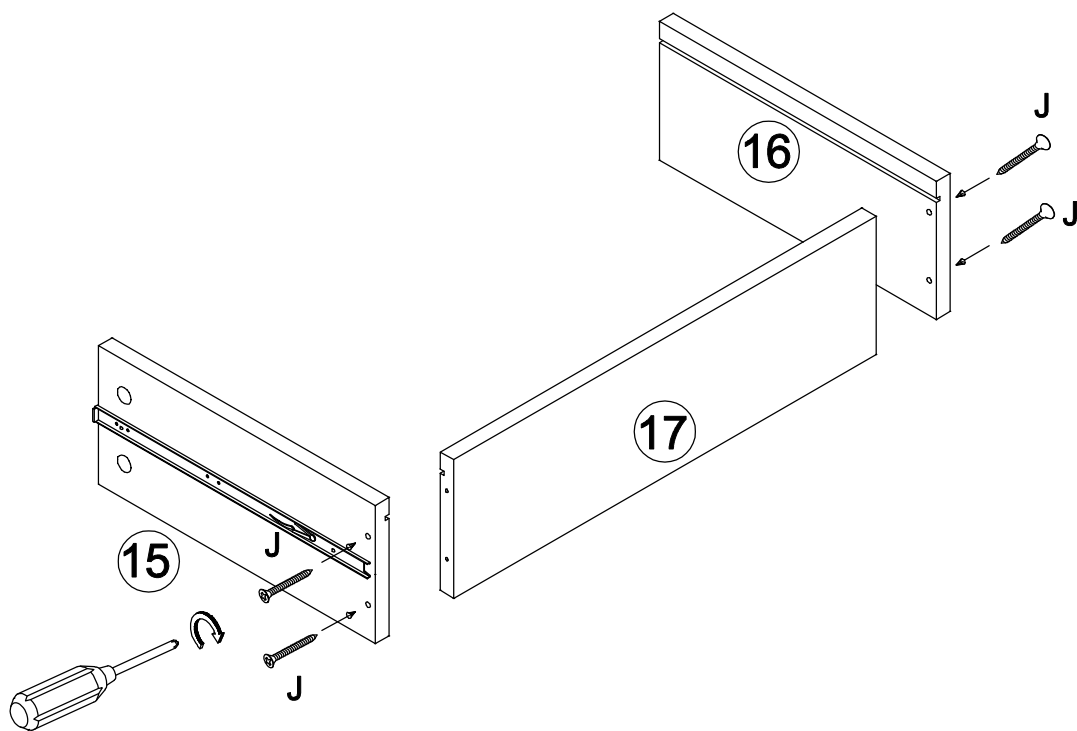
B x 4	H x 1	Q x 2
		
Ø6x35mm		Ø4x20mm



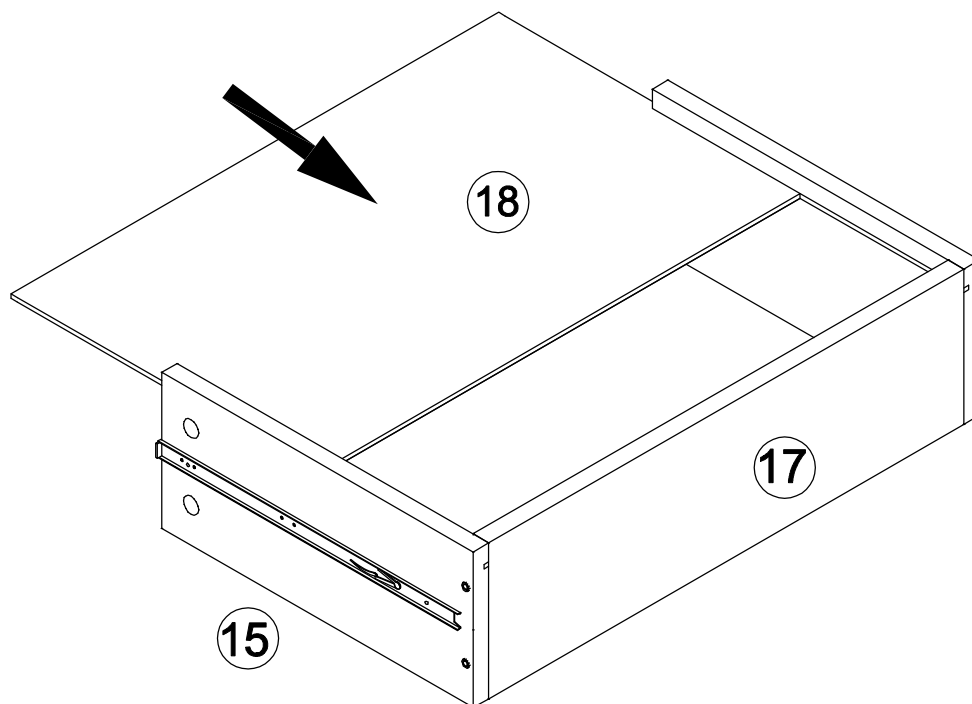
Step 15

J x 4

Ø4x30mm

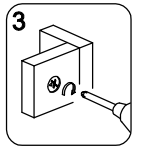
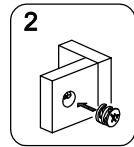
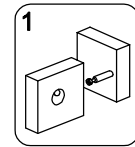
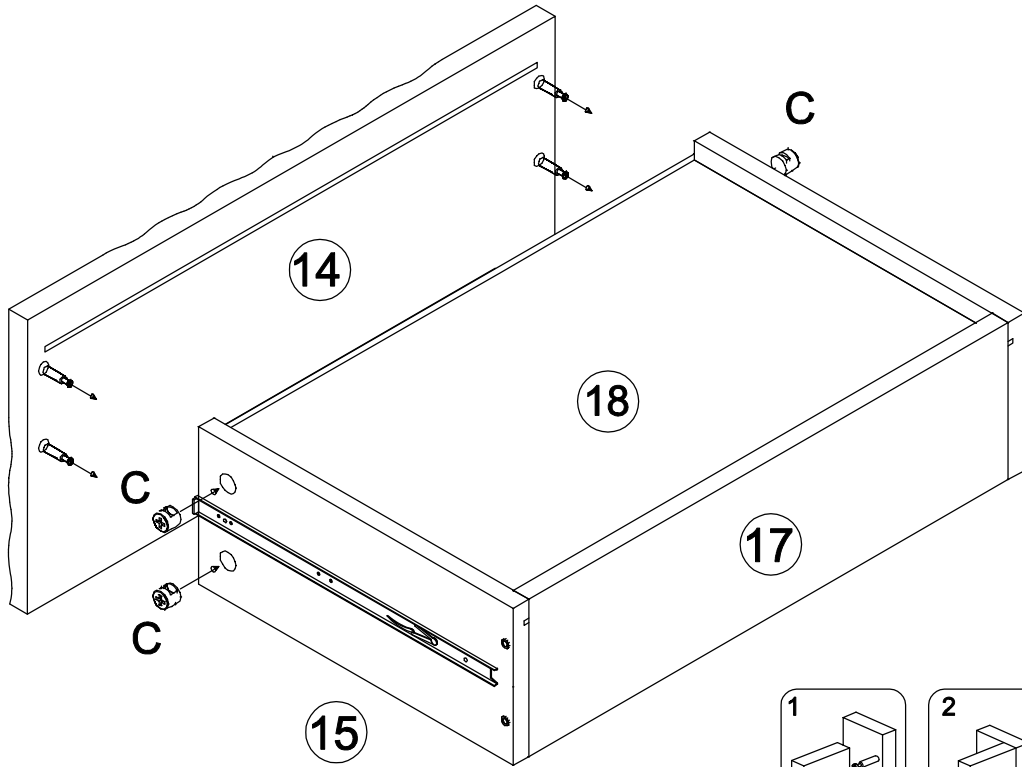


Step 16



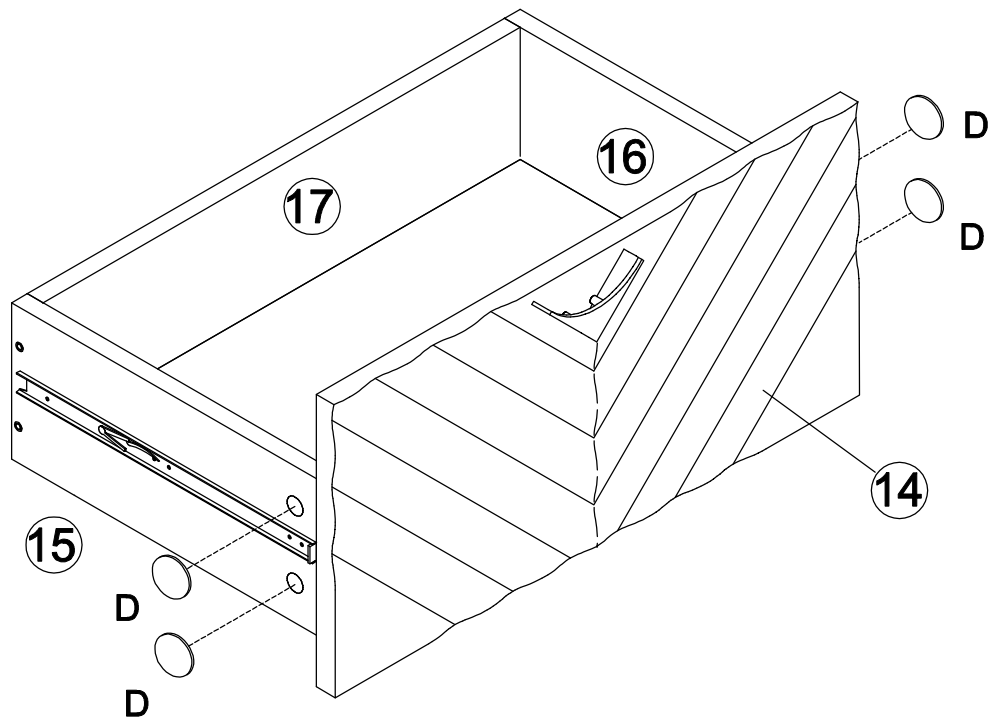
Step 17

C x 4

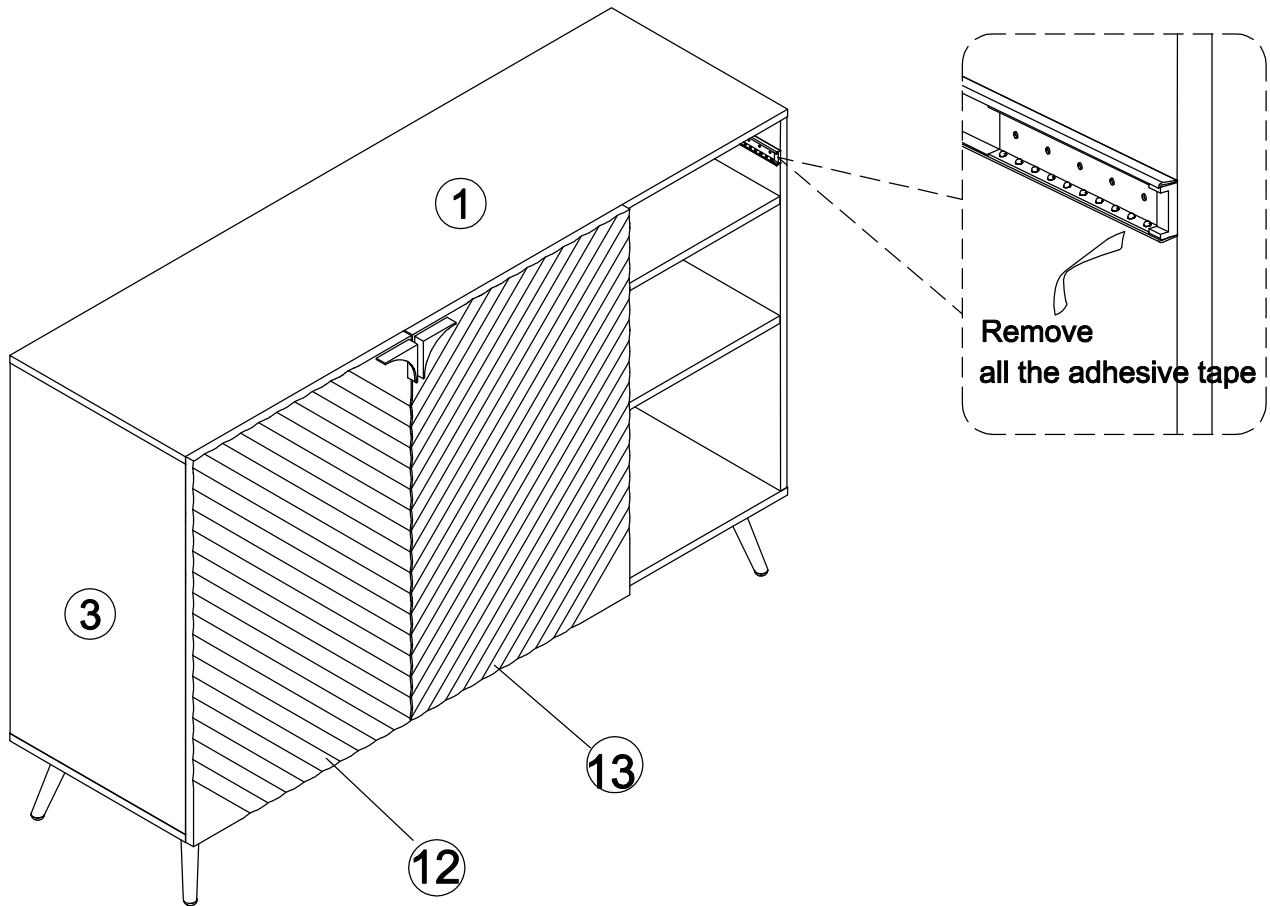


Step 18

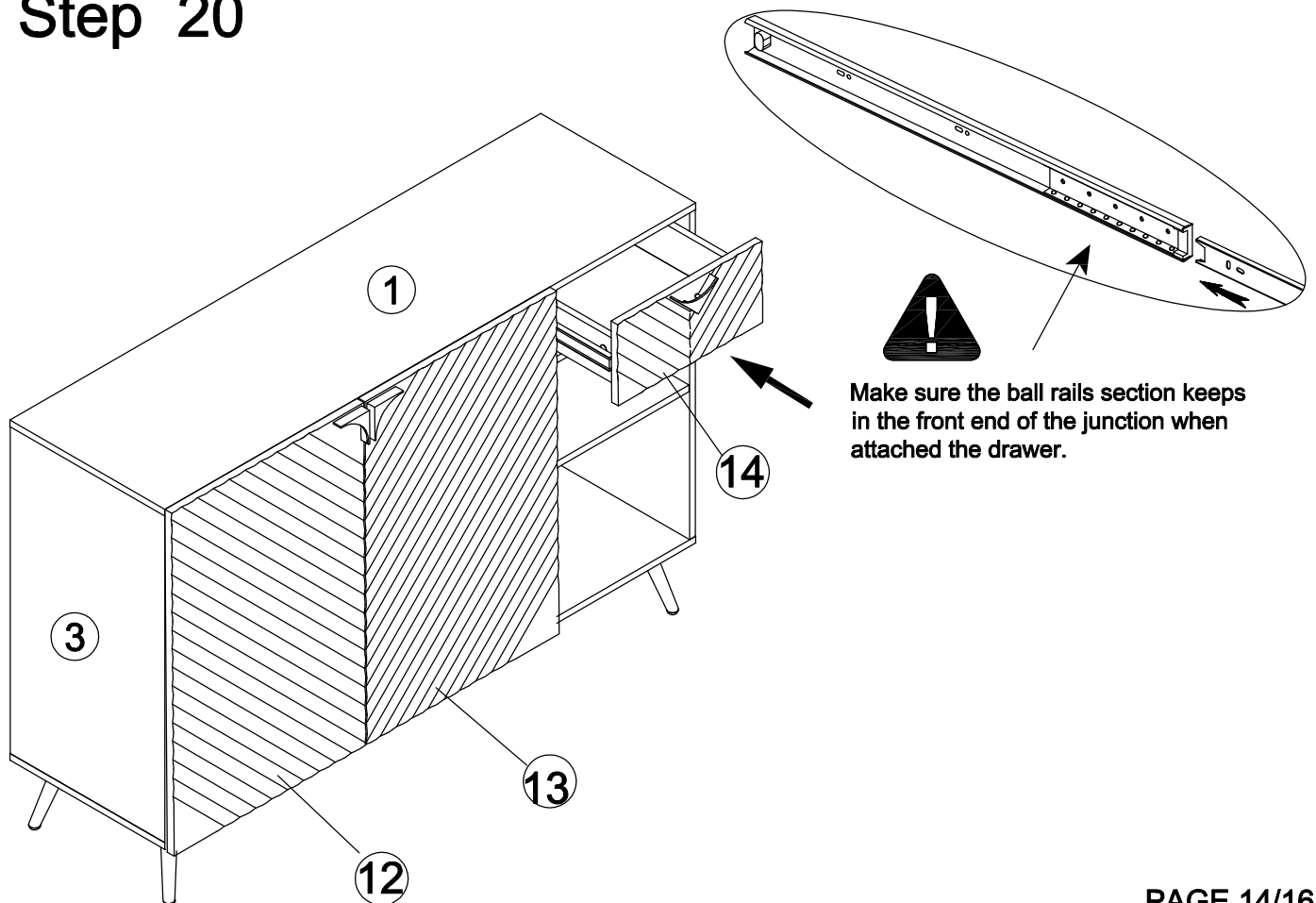
D x 4





Step 19

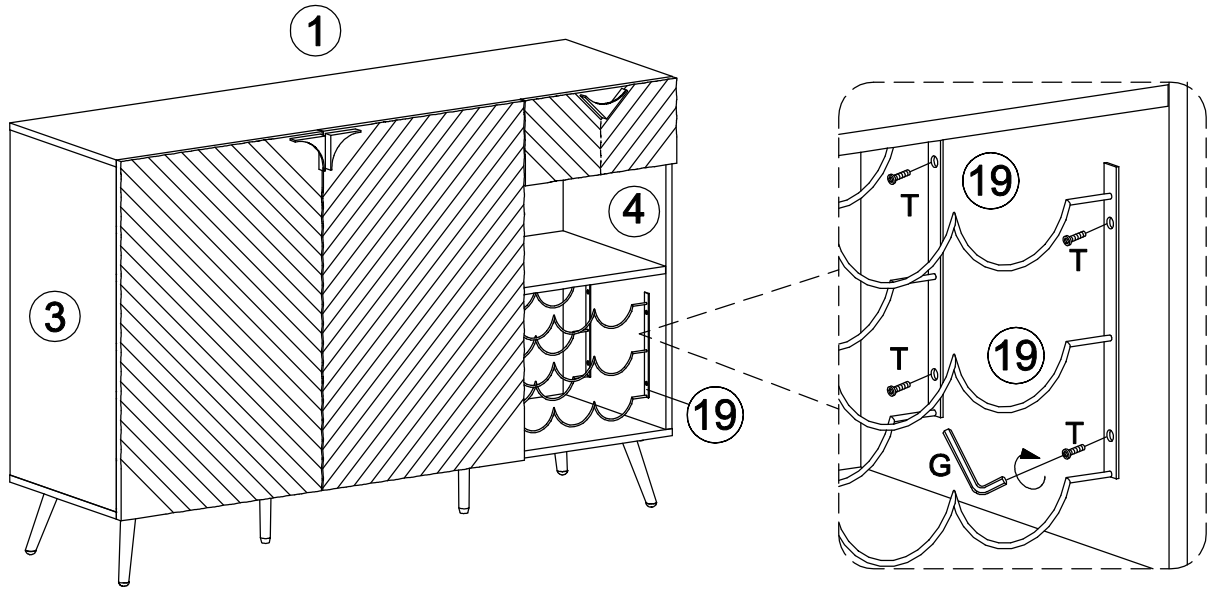


Step 20

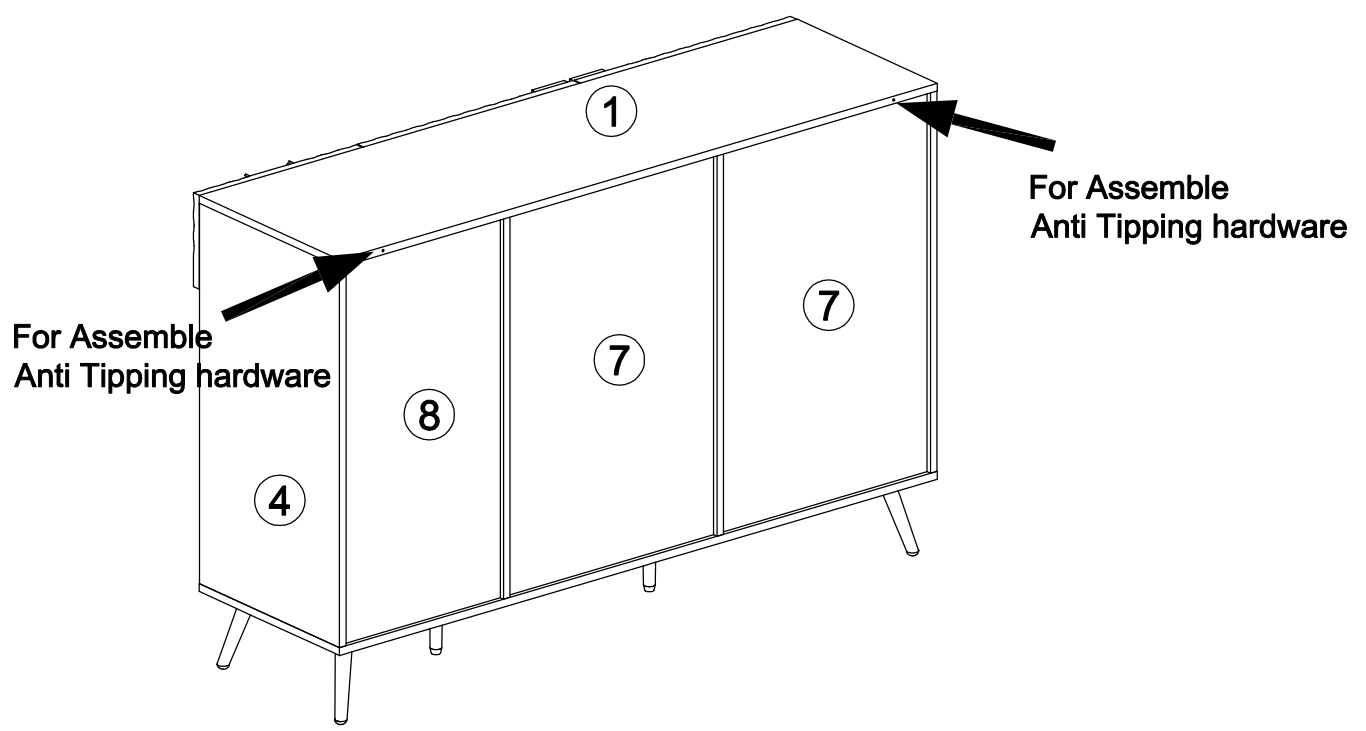


Step 21

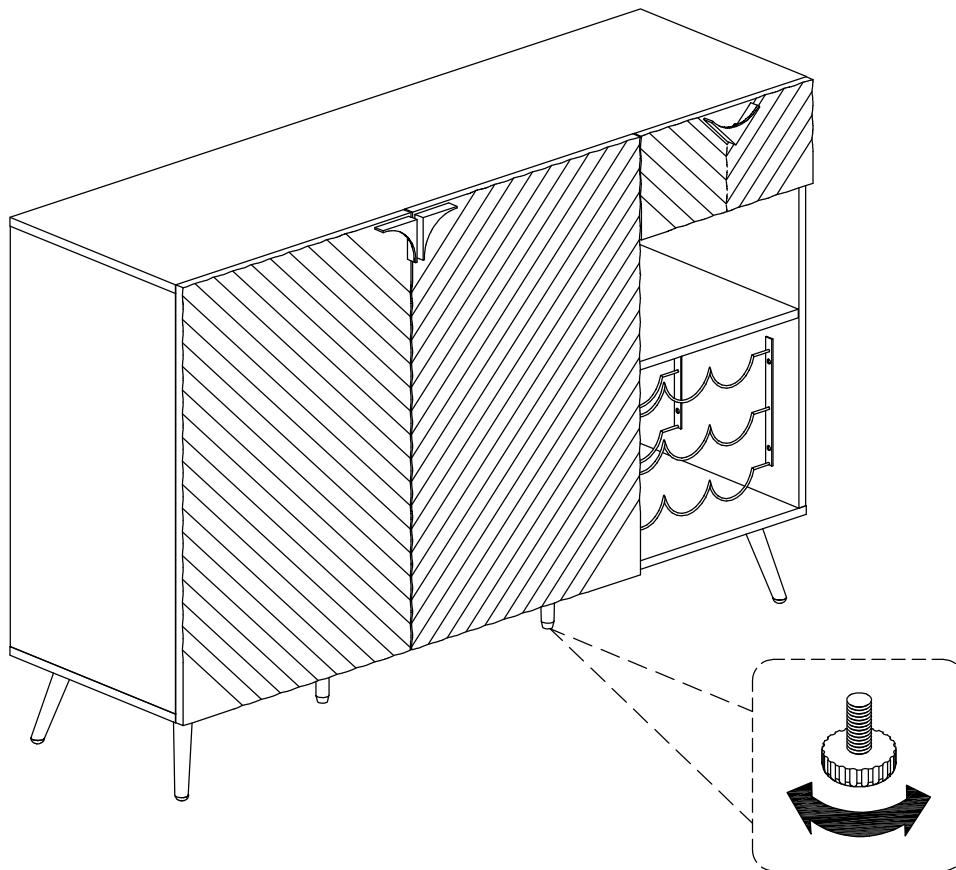
G x 1	T x 8
 4mm	 M6x12mm



Step 22



Step 23



WARNING



Children have died from furniture tipover. To reduce the risk of furniture tipover:

- ALWAYS install tipover restraint provided.
- NEVER put a TV on this product.
- NEVER allow children to stand, climb or hang on drawers, doors, or shelves.
- NEVER open more than one drawer at a time.
- Place heaviest items in the lowest drawers.

