

ASSEMBLY INSTRUCTION

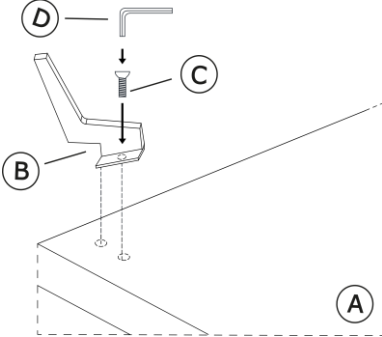
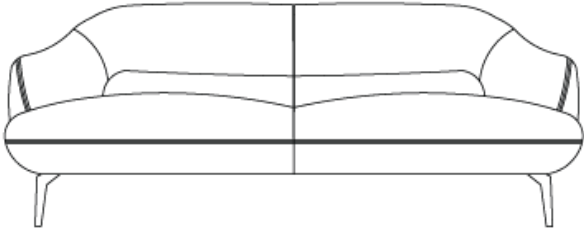
Product Name: **LEONIA**

PARTS LIST

Before you begin, please layout all parts and ensure you have the correct count.

| PARTS | DESCRIPTION | QUANTITY | ILLUSTRATION |
|-------|-------------|----------|---|
| A | Sofa | 1 |  |
| B | Leg | 4 |  |
| C | Screws | 8 |  |
| D | Allen Key | 1 |  |

ASSEMBLY INSTRUCTIONS

| STEPS | DESCRIPTION | ILLUSTRATION |
|-------|--|---|
| 1 | Place leg (B) onto bottom of Seat (A). Tighten the two Screw (C) by using the Allen Key (D). |  |
| 2 | Assembly completed. |  |

ASSEMBLY TIPS:

Please check parts and hardware before assembling. Follow each instruction step by step.
 Place a protective pad or piece of cardboard on the floor while assembling your item on top of it.
 Remove all parts from the carton and separate them into part numbers/groups as indicated on the part list.
 Please follow instructions in the sequence as numbered to assure fast/easy assembly.

WARNING:

Don't attempt to repair or modify parts that are broken or defective - if you find a broken part please contact us for replacement.
 Keep all hardware parts out of the reach of children.

FURNITURE CARE:

Following these few basic steps will help to ensure that you enjoy your furniture for a long time:
 Do not expose your furniture to direct sunlight, dampness or any heat, like a hot cup of coffee or tea. Always use a coaster.
 Excessive exposure to sunlight may cause fading.
 Excessive temperature and humidity or cold may cause cracking or splitting.
 Dust with a clean, damp, lint free cloth.
 Use a damp cloth with water or mild detergent to clean all surfaces - do not use chemicals or paint thinner which will fade the surface.
 Place a piece of felt or a pad under the legs of your furniture to avoid scratching the floor.