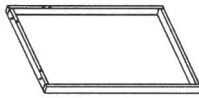


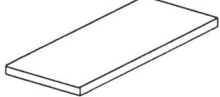
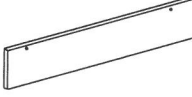
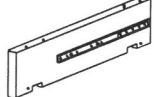
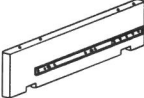
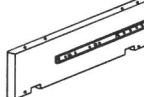
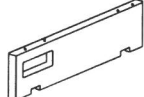
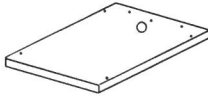
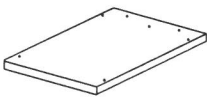
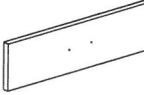



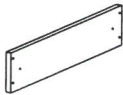
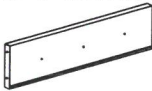

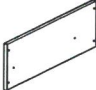


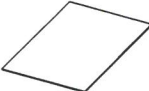
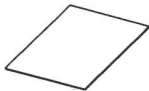





ASSEMBLY INSTRUCTION FOR ACME FURNITURE

MODEL#AC00840/AC00841

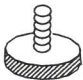

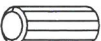
Thank you for purchasing this quality product. Be sure to check all packing material carefully for small parts which may have come loose inside the carton during shipment. Separate, identify and count all parts and metal hardware. Compare with parts list to be sure all parts are present. If any part(s) are missing or damaged, please contact your local furniture dealer. For efficient and speedy service, please indicate the model number and code letter of part(s) needed.

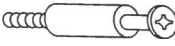

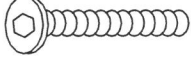
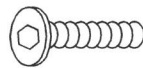


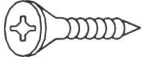


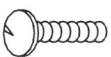
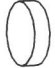



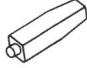
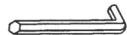
*****Do not fully tighten screws until fully assembled*****

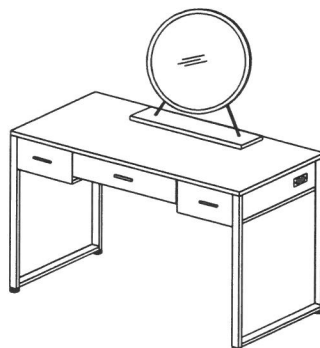
| DESCRIPTION | COMPONENT PARTS | | Q'TY (PCS) |
|-------------|--------------------|--|------------|
| | PART NAME | | |
| ① | METAL FRAME |  | 2 |
| ② | STRETCHER |  | 1 |
| ③ | STRETCHER |  | 2 |
| ④ | TOP BOARD |  | 1 |
| ⑤ | BACK BOARD |  | 1 |
| ⑥ | LEFT BOARD |  | 1 |
| ⑦ | RIGHT BOARD |  | 1 |
| ⑧ | LEFT BOARD |  | 1 |
| ⑨ | RIGHT BOARD |  | 1 |
| ⑩ | RIGHT BOTTOM BOARD |  | 1 |
| ⑪ | LEFT BOTTOM BOARD |  | 1 |
| ⑫ | LARGE DRAWER FRONT |  | 1 |

| | | | |
|---|---------------------------|---|---|
| ⑬ | SMALL DRAWER FRONT |  | 2 |
| ⑭ | LARGE DRAWER SIDE BOARD |  | 2 |
| ⑮ | LARGE DRAWER FRONT BOARD |  | 1 |
| ⑯ | LARGE DRAWER BACK BOARD |  | 1 |
| ⑰ | SMALL DRAWER SIDE BOARD |  | 4 |
| ⑱ | SMALL DRAWER FRONT BOARD |  | 2 |
| ⑲ | SMALL DRAWER BACK BOARD |  | 2 |
| ⑳ | LARGE DRAWER BOTTOM BOARD |  | 1 |
| ㉑ | SMALL DRAWER BOTTOM BOARD |  | 2 |
| ㉒ | LONG METAL GLIDES(SET) |  | 1 |
| ㉓ | SHORT METAL GLIDES(SET) |  | 2 |
| ㉔ | USB |  | 1 |
| ㉕ | DESSING TABLE MIRROR |  | 1 |
| ㉖ | MIRROR PEDESTAL |  | 1 |

HARDWARE REQUIRED

| | | | | |
|-----|---|------------|-------------|--------|
| (A) |  | LEVELER | 1/4" x 12mm | 4 PCS |
| (B) |  | KNOB | 120mm | 3 PCS |
| (C) |  | WOOD DOWEL | 30mm | 18 PCS |

| | | | | |
|---|---|-------------|-------------|---------|
| D |  | CAM BOLT | Ø7 x 39mm | 13 PCS |
| E |  | CAM LOCK | Ø15 x 12mm | 13 PCS |
| F |  | BOLT | 1/4" x 60mm | 6 PCS |
| G |  | BOLT | 1/4" x 21mm | 4 PCS |
| H |  | BOLT | 1/4" x 12mm | 4 PCS |
| I |  | SCREW | 32mm | 8 PCS |
| J |  | SCREW | 25mm | 26 PCS |
| K |  | SCREW | 15mm | 2 PCS |
| L |  | SCREW | 12mm | 18 PCS |
| M |  | BOLT | 19mm | 13 PCS |
| N |  | BOLT COVER | 11mm | 6 PCS |
| O |  | BOLT | 1/4" x 9mm | 2 PCS ✓ |
| P |  | WASHER | 16mm | 2 PCS ✓ |
| Q |  | RUBBER FOOT | | 4 PCS ✓ |
| R |  | GLUE | | 1 PCS |
| S |  | ALLEN KEY | 1/4" | 1 PCS |

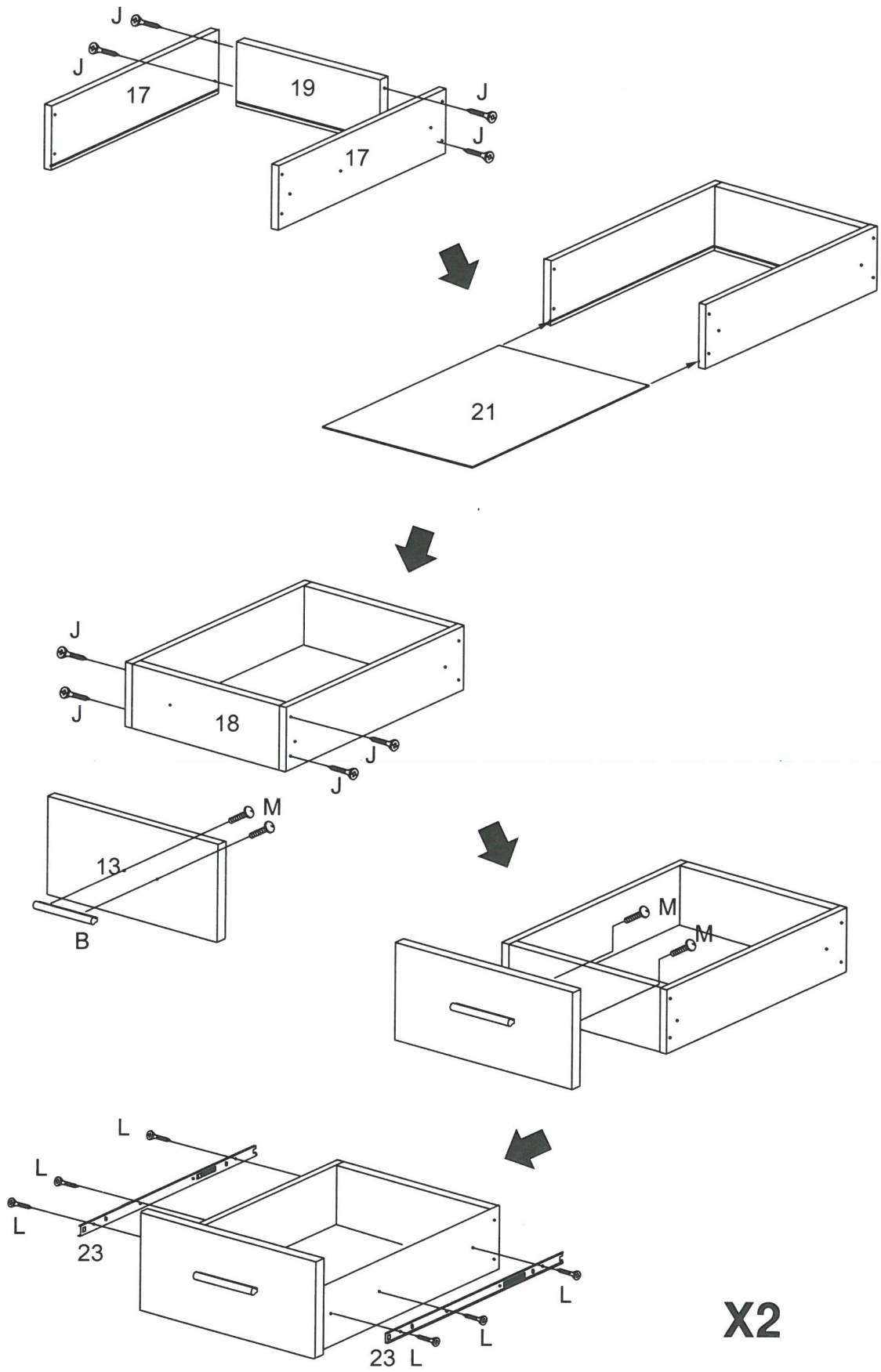


Attention

***Some number parts listed on the instruction sheet may not be in parts bag as they may be assembled.
Carefully check parts and packing materials prior to ordering replacements.

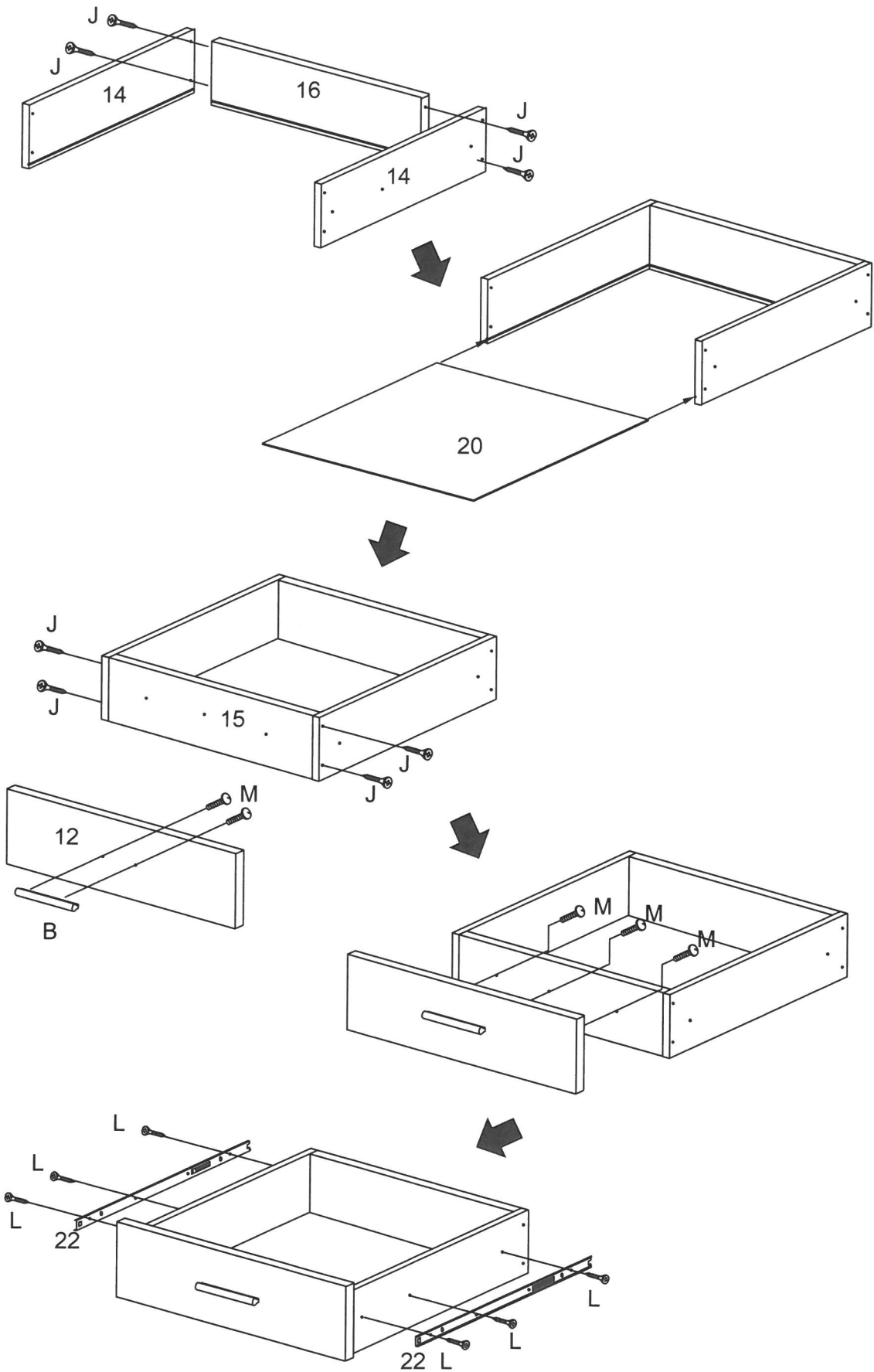
How to assemble:

STEP 1

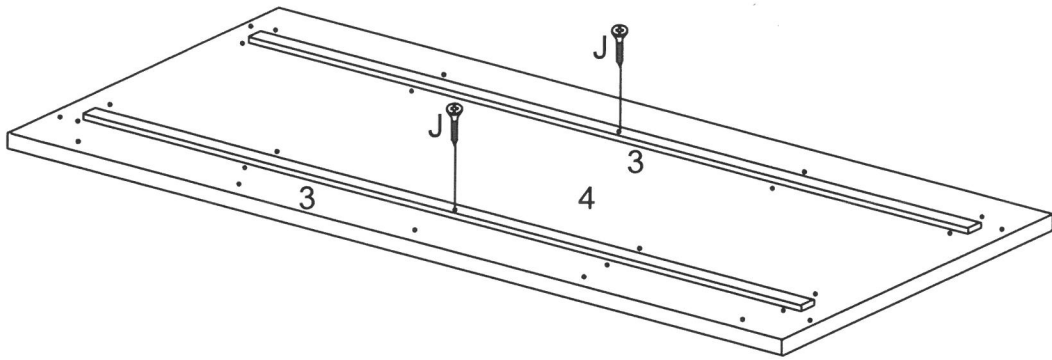


X2

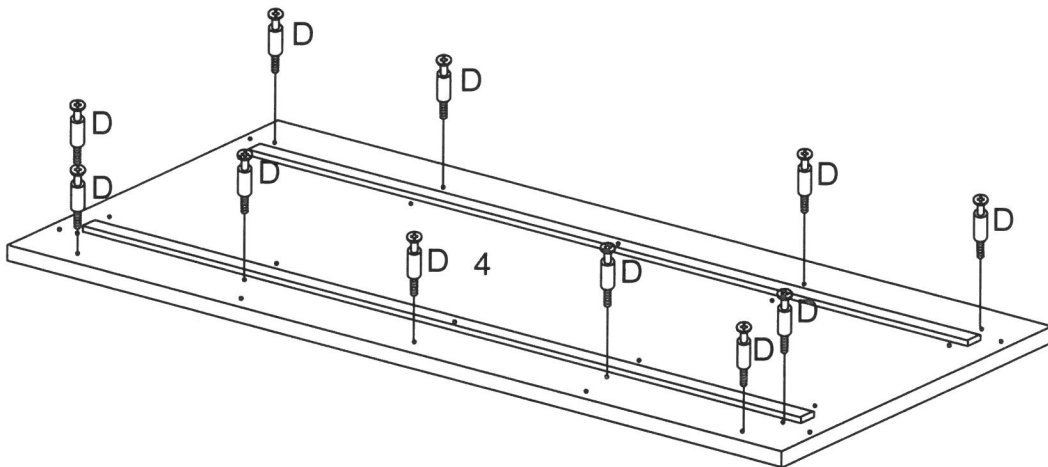
STEP 2



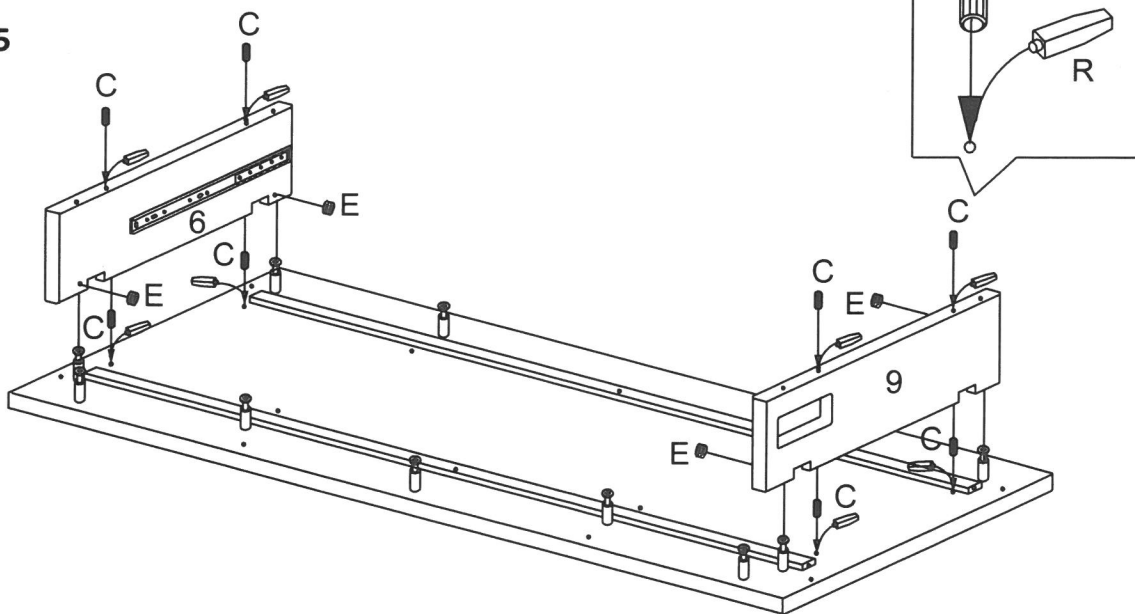
STEP 3



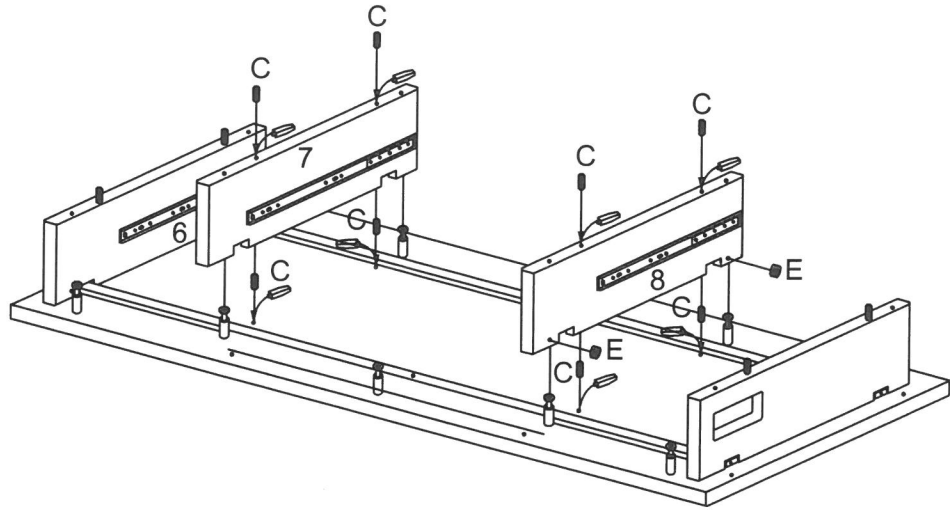
STEP 4



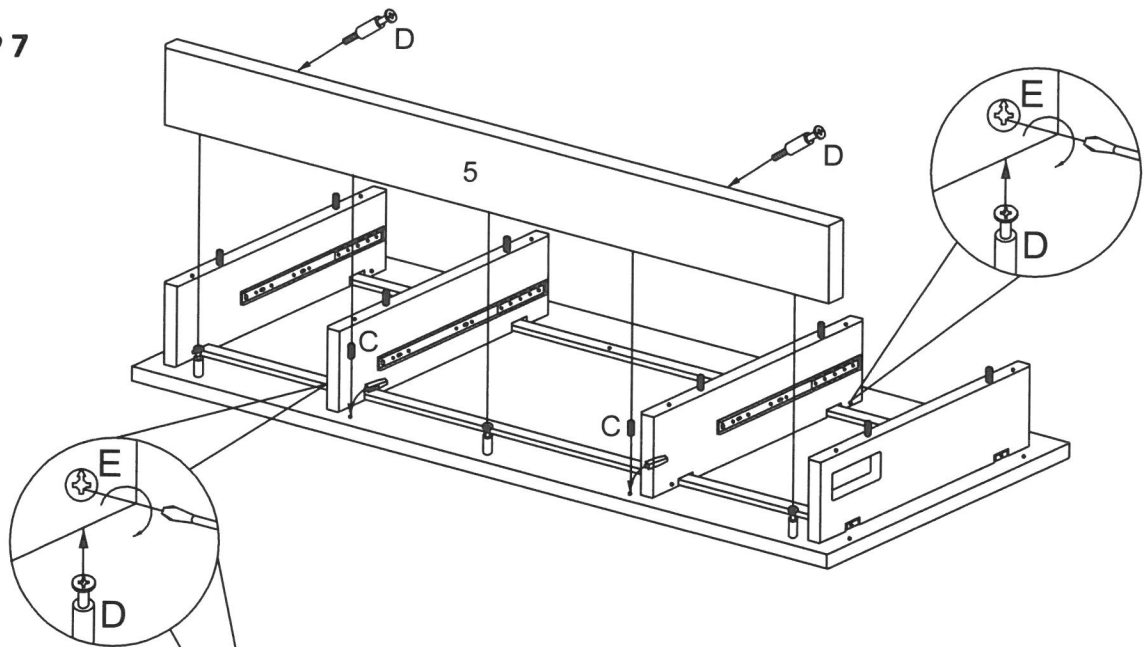
STEP 5



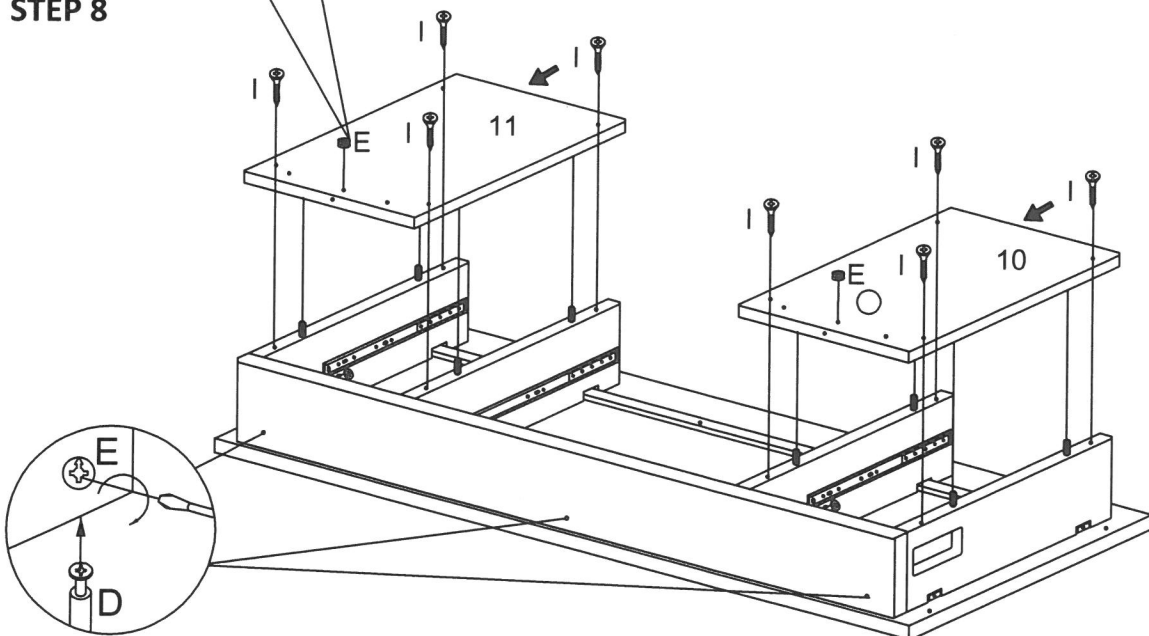
STEP 6



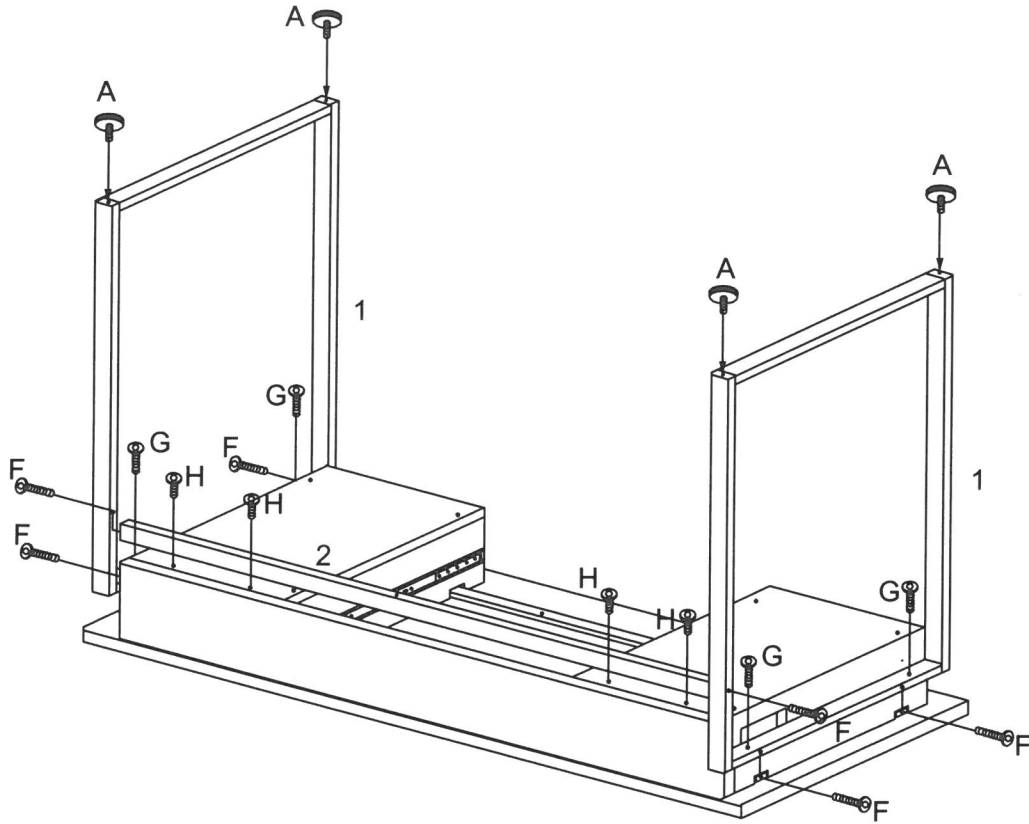
STEP 7



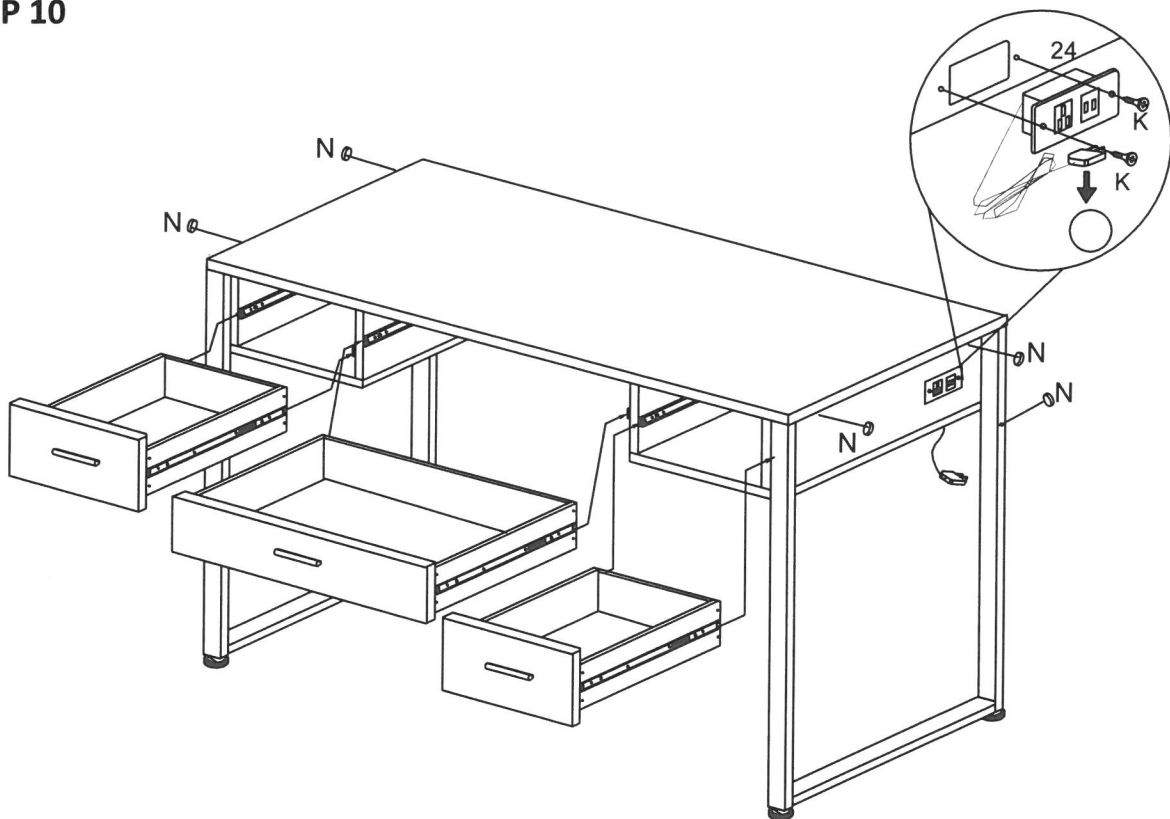
STEP 8



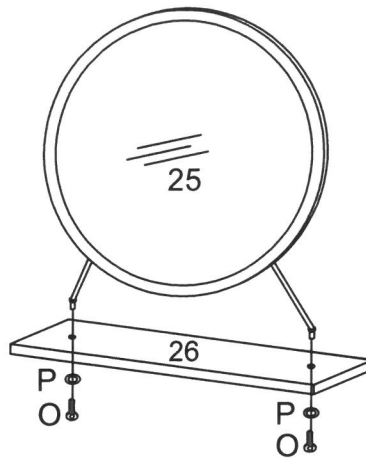
STEP 9



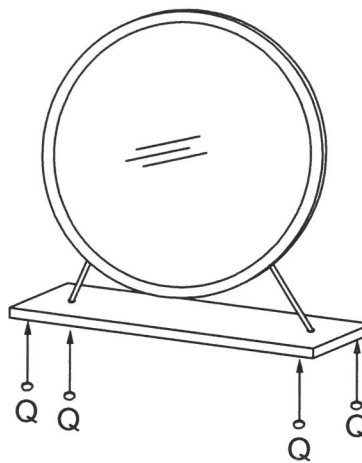
STEP 10



STEP 11



STEP 12



STEP 13

