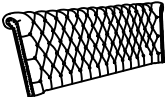
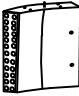
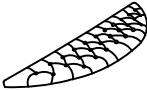
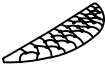



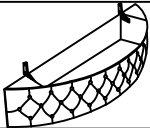
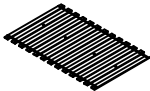





ASSEMBLY INSTRUCTION FOR ACME FURNITURE

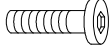

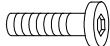
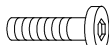



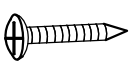
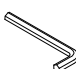


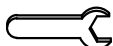





MODEL#BD00967Q

Thank you for purchasing the quality product. Be sure to check all packing material carefully for small parts which may have come loose inside the carton during shipment. Separate, identify and count all parts and metal hardware. Compare with all parts list to be sure all parts are present. If any part(s) are missing or damaged, please contact your local furniture dealer. For efficient and speedy service, please indicate the model number and code letter of part(s) needed.

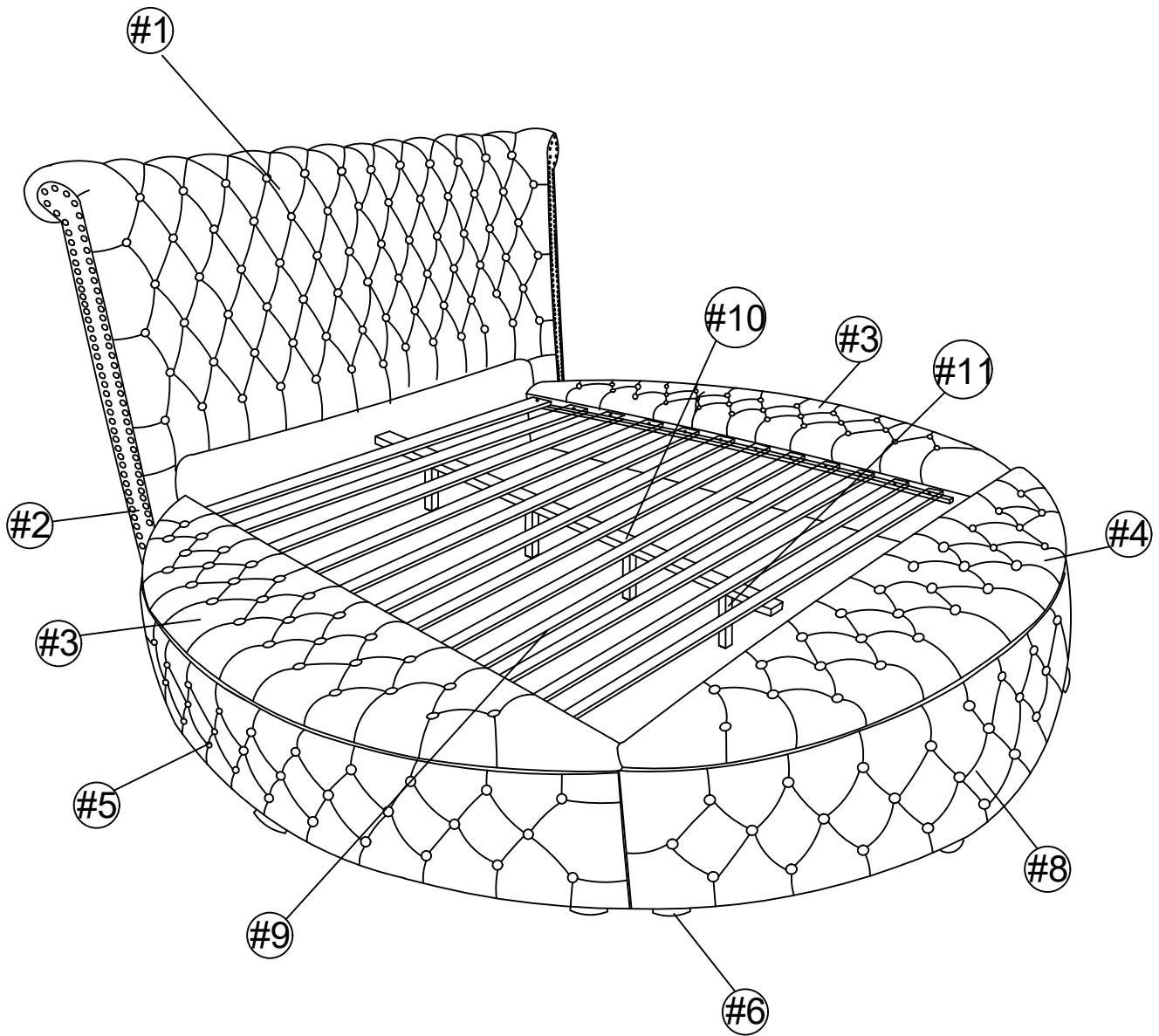
*** Do not fully tighten screws until fully assembled ***

COMPONENT PARTS			
DESCRIPTION	PART NAME		Q'TY(PCS)
①	Headboard		1
②	HB Leg (L&R)		2
③	Side Rail Top Panel		2
④	Footboard Top Panel		1
⑤	Side Rail With Fabric		2
⑥	Plastic Feet		9
⑦	Side Rail		2
⑧	Footboard		1
⑨	Slat		13
⑩	Support Rail		1
⑪	Support Leg		4
⑫	Side Rail Botom Panel		2

HARDWARE REQUIRED

#A	Bolt Ø5/16" x 1-3/4"		12
#B	Threaded Stud Ø5/16" x 3-1/4"		8
#C	Bolt Ø5/16" x 3/4"		12
#D	Bolt Ø1/4" x 5/8"		20
#E	Lock Washer Ø5/16"		32
#F	Flat Washer Ø5/16" x 19mm		16
#G	Flat Washer Ø5/16" x 22mm		16
#H	Screw #8 x 38mm		44
#I	Allen Wrench 5mm		1
#J	Allen Wrench 4mm		1
#K	Hex Nut Ø5/16"		8
#L	Wrench 12mm		1
#M	Wood tenon Ø10x 40mm		2
#N	Lock Washer Ø1/4"		20
#O	Flat Washer Ø1/4" x 16mm		20
#P	Connection Strap		2
#Q	Hinges		2

Exploded View

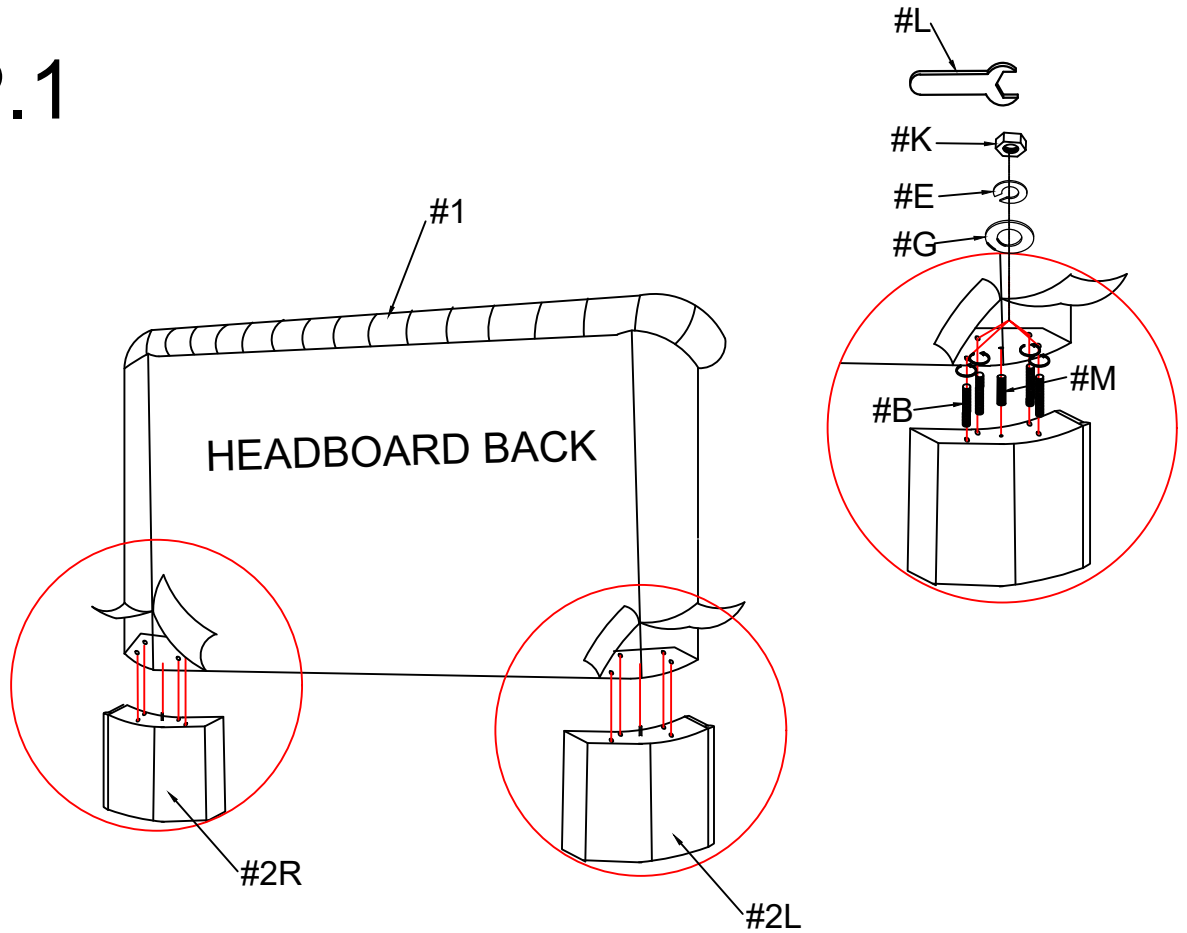


Attention

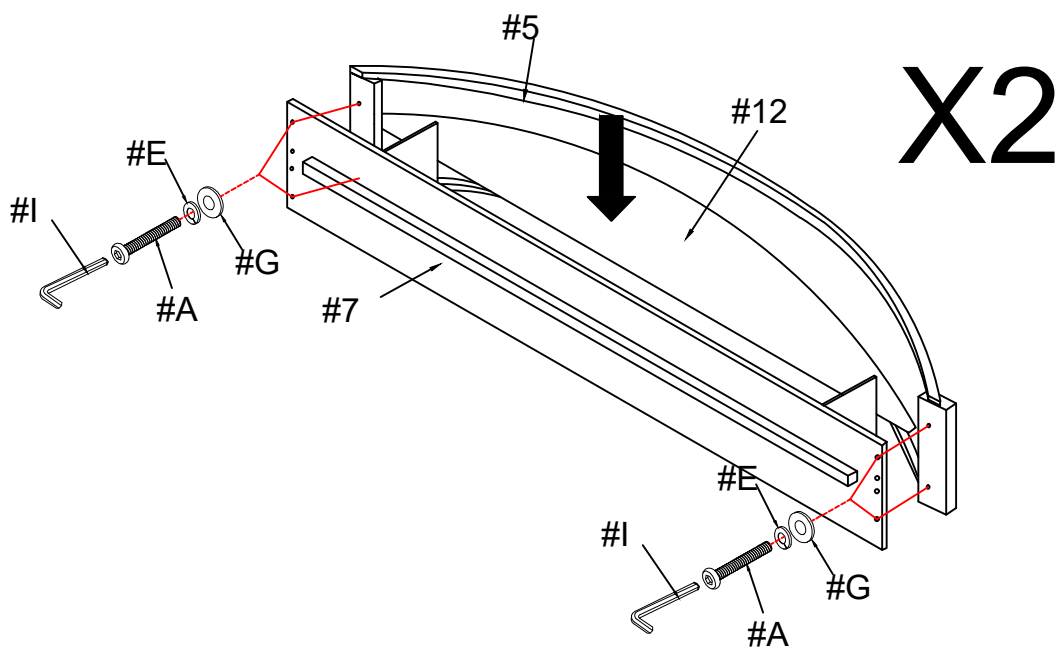
' Some number parts listed on the instruction sheet may not be in parts bag as they may already be assembled. Carefully check parts and packing materials prior to ordering replacements

How to assemble

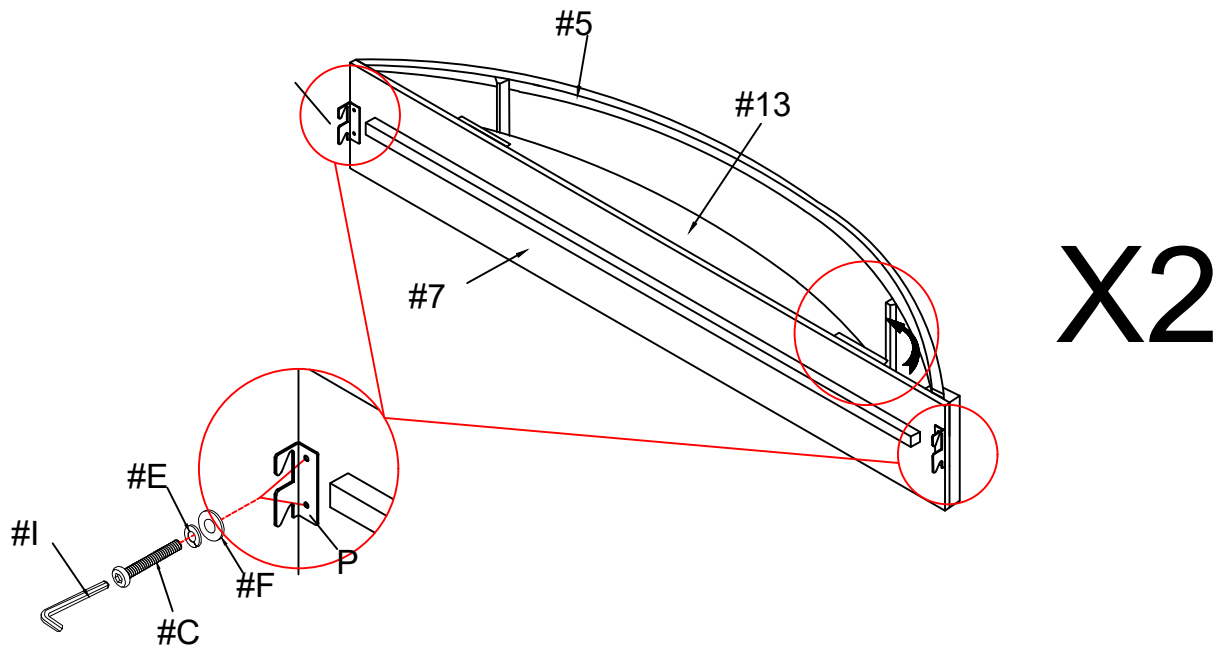
STEP.1



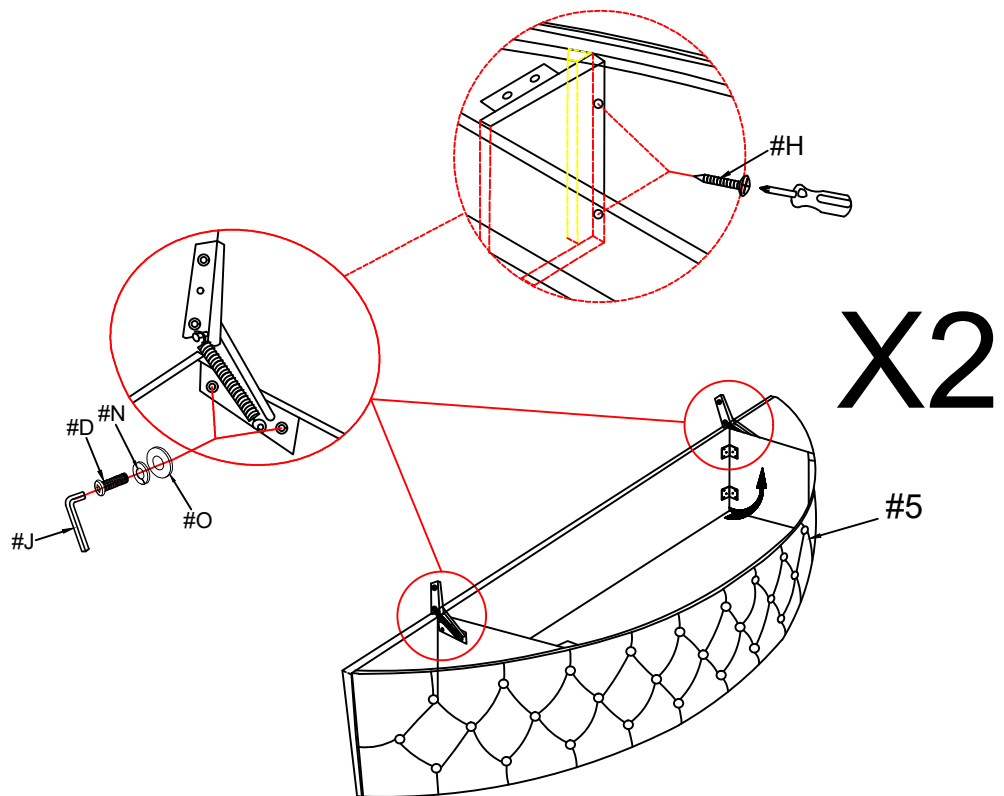
STEP.2



STEP.3

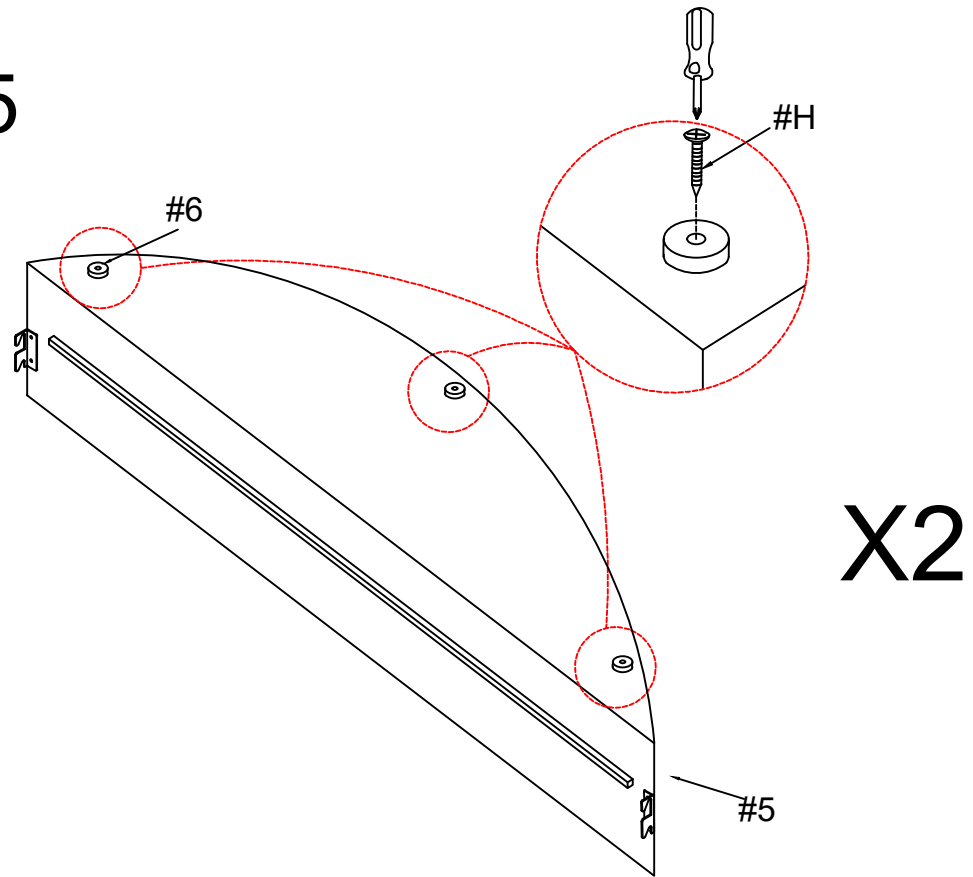


STEP.4

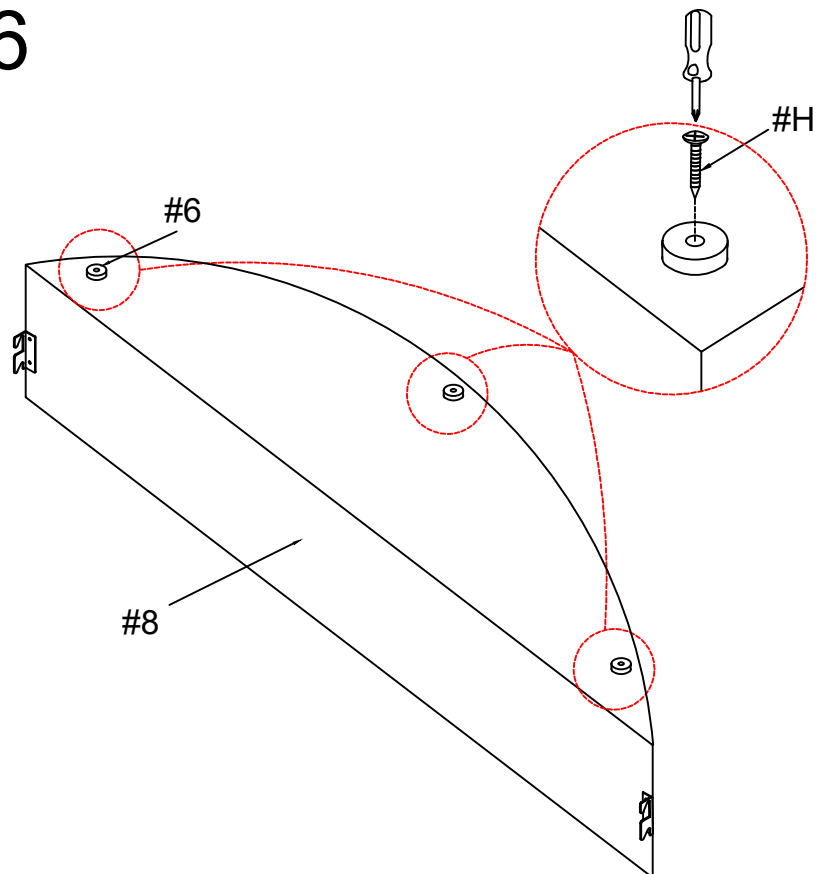


How to assemble

STEP.5

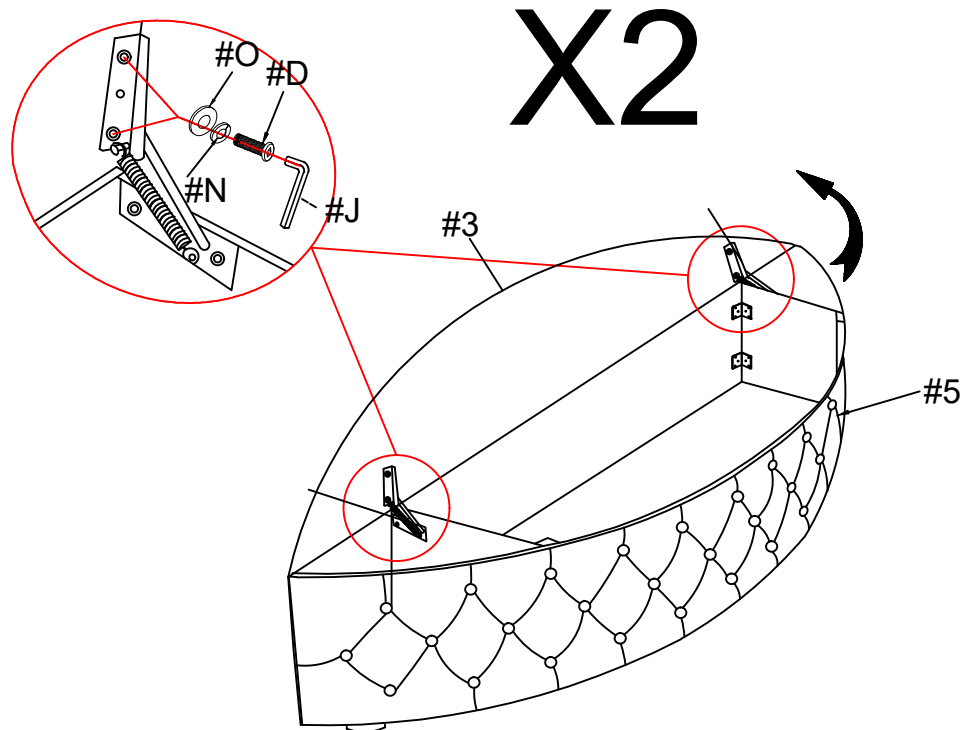


STEP.6

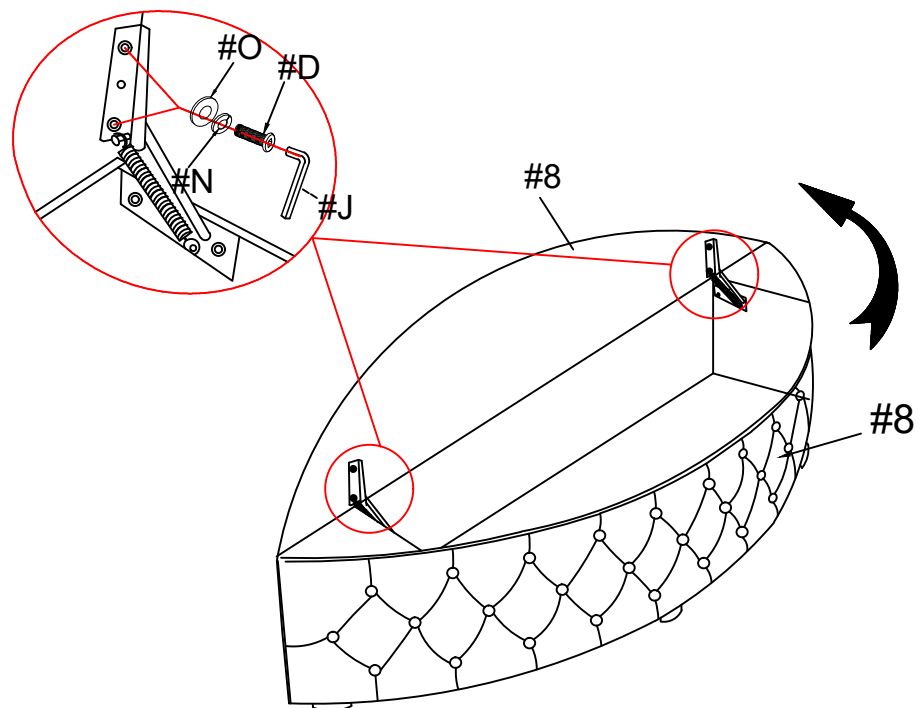


How to assemble

STEP.7

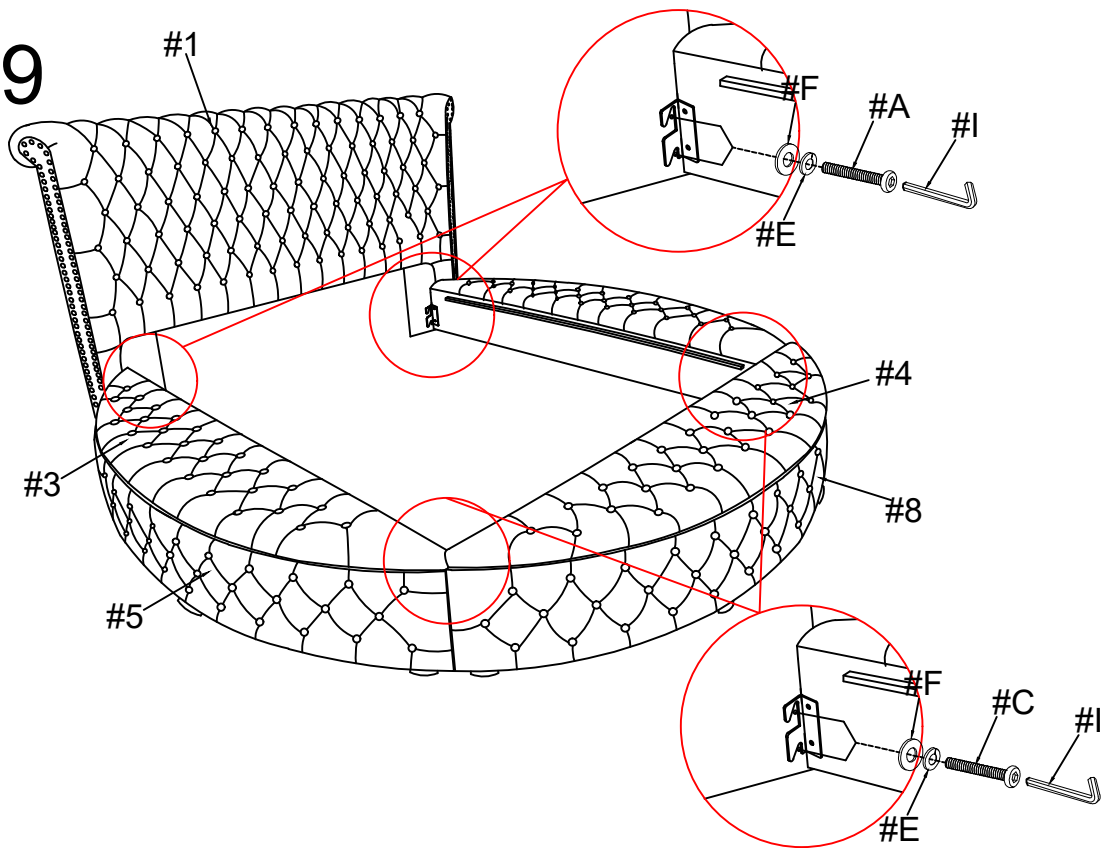


STEP.8

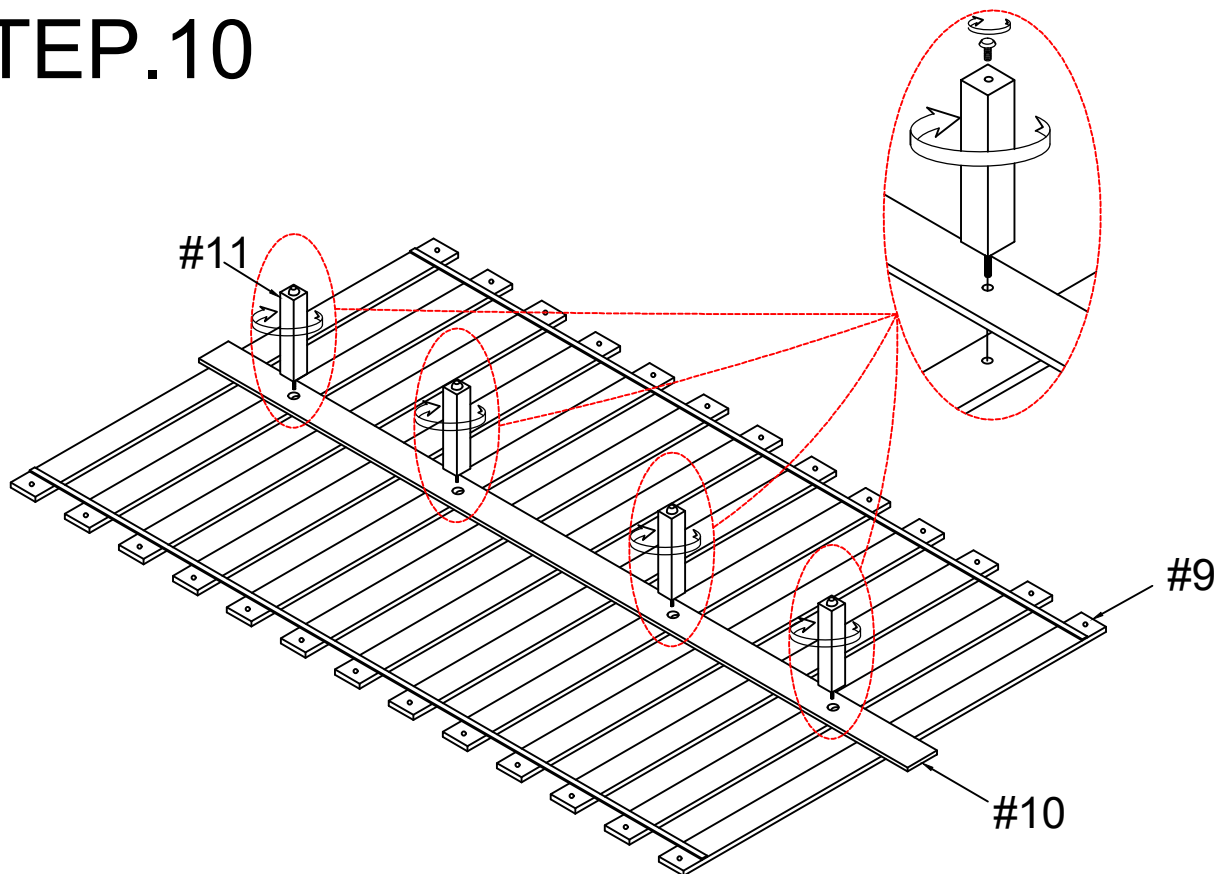


How to assemble

STEP.9

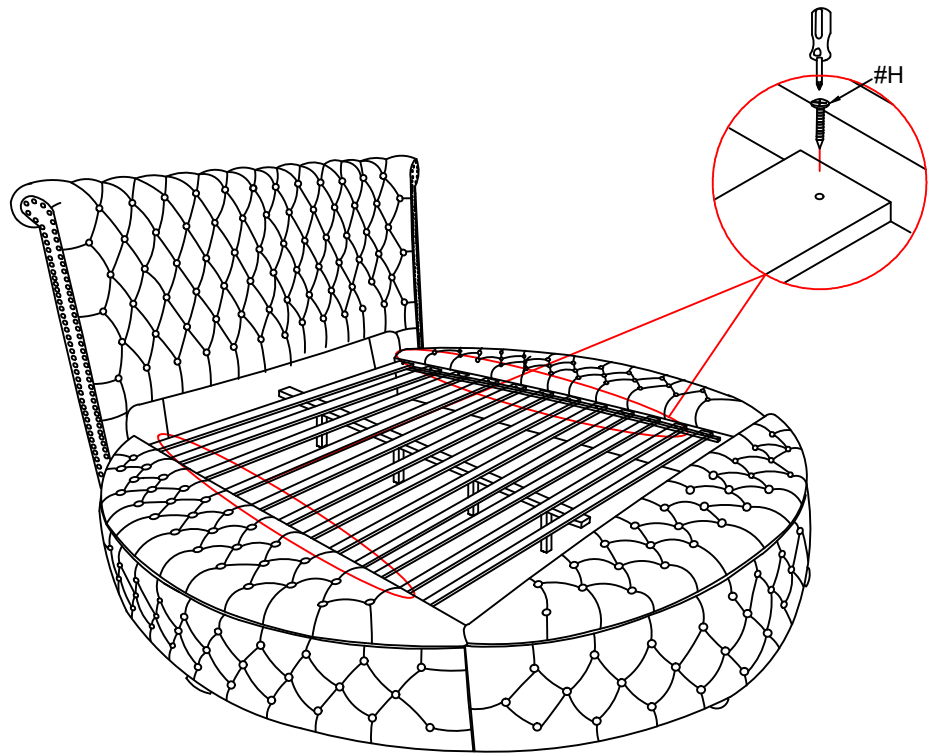


STEP.10



How to assemble

STEP.11



STEP.12

