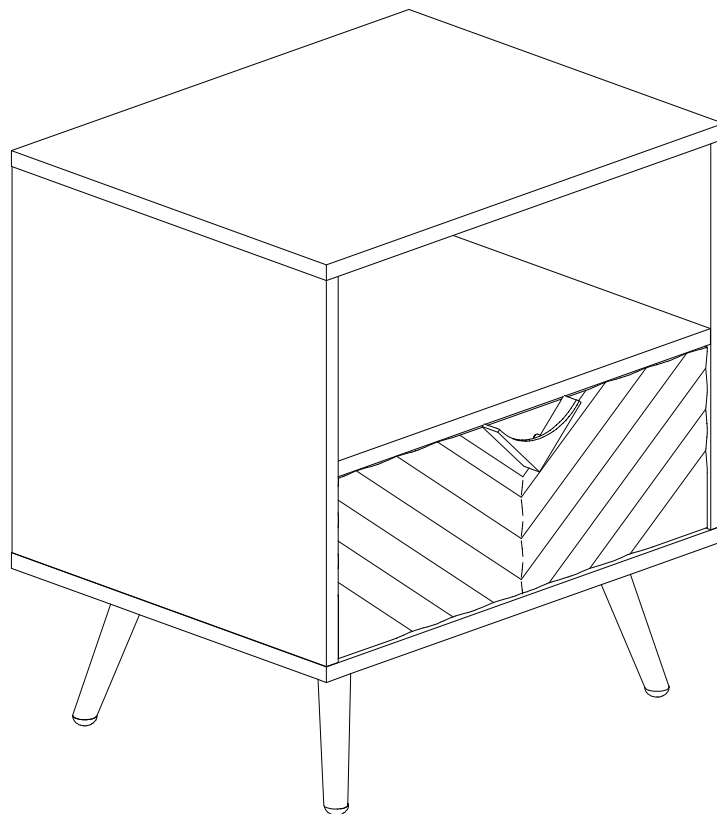


ASSEMBLY INSTRUCTION FOR ACME FURNITURE

MODEL#LV01140/LV01136

Thank you for purchasing the quality product. Be sure to check all packing material carefully for small parts which may have come loose inside the carton during shipment. Separate, identify and count all parts and metal hardware. Compare with all parts list to be sure all parts are present. If any part(s) are missing or damaged, please contact your local furniture dealer. For efficient and speedy service, please indicate the model number and code letter of part(s) needed.

*****Do not fully tighten screws until fully assembled*****

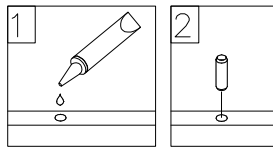


Attention:

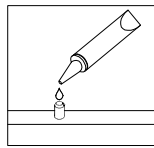
*****Some number parts listed on the instruction sheet may not be in parts bag as they may already be assembled. Carefully check parts and packing materials prior to ordering replacements.**

General Assembly Guidelines

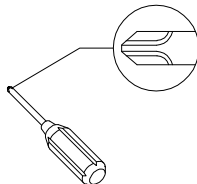
- I. Ensure that all parts and hardware are available before beginning assembly.
- II. Follow each step carefully to ensure the proper assembly of this product.
- III. Two people are recommended for ease in the assembly of this product.
- IV. The three main types of hardware used to assemble this product are: wood dowels, screws and bolts.
- V. The provided glue is to secure wood dowels in place. When first inserting dowels, locate the appropriate hole for the dowel, place a small amount of glue in the hole and insert the dowel. Wipe away excess glue immediately.



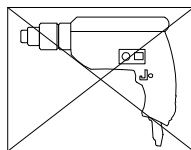
In future assembly steps when dowels are necessary to attach assembly parts together, place a small amount of glue on the end of the dowel before attaching parts together. Wipe away excess glue immediately.



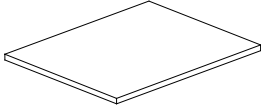
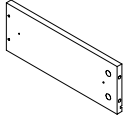
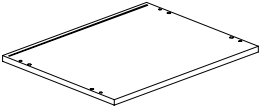
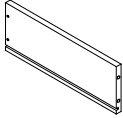
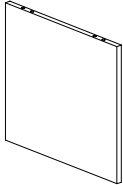
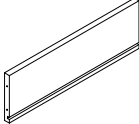
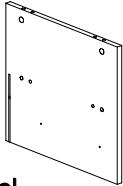
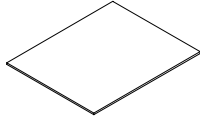
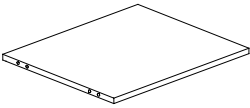

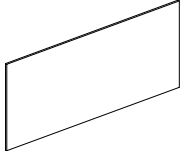
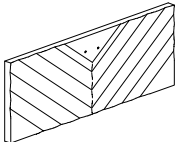
- VI. A Phillips head screwdriver is required for the assembly of this product.




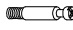






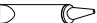



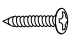


- VII. Power tools should not be used to assemble this product.

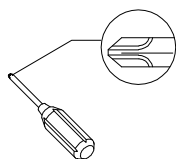


COMPONENT PARTS

DESCRIPTION	PART NAME	QTY(PCS)	DESCRIPTION	PART NAME	QTY(PCS)
①	 Table Top	1	⑧	 Drawer Side Panel(L)	1
②	 Table Bottom	1	⑨	 Drawer Side Panel(R)	1
③	 Left Side Panel	1	⑩	 Drawer Back Panel	1
④	 Right Side Panel	1	⑪	 Drawer Bottom Panel	1
⑤	 Shelf	1	⑫	 Metal Legs	4
⑥	 Back Panel	1			
⑦	 Drawer Front Panel	1			

Hardware List

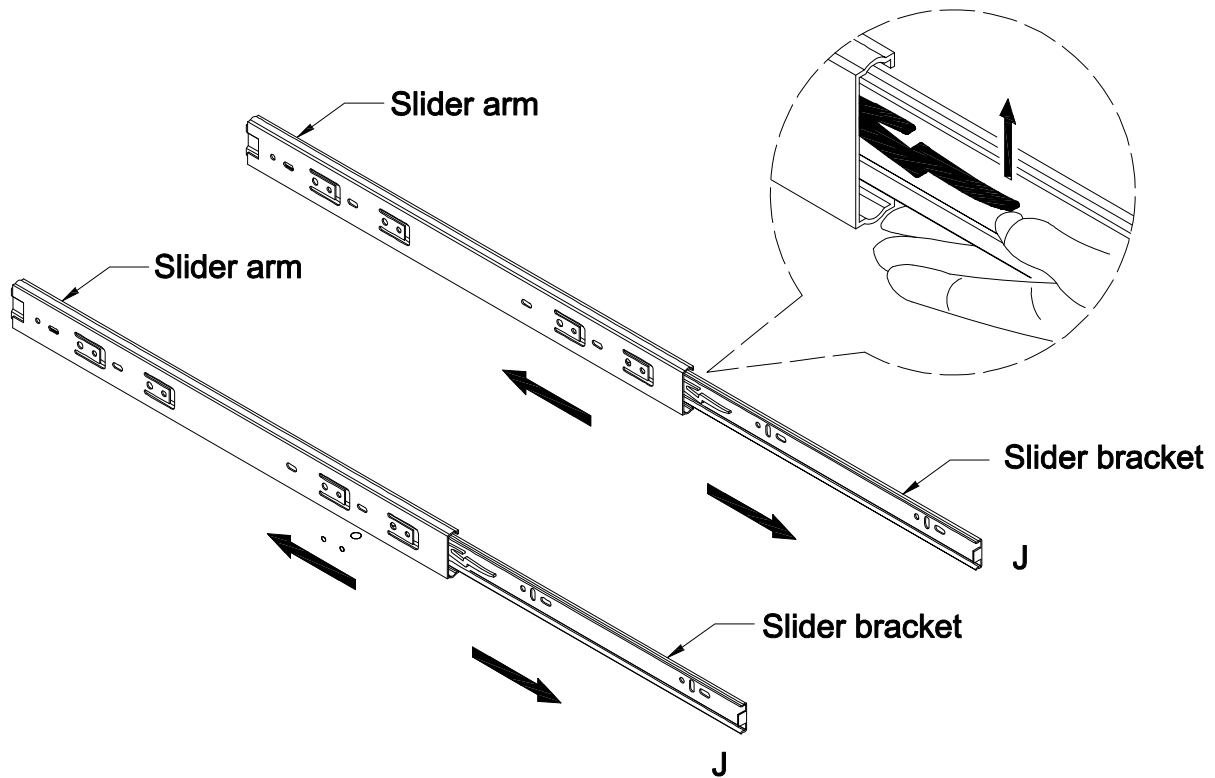
A		Ø8x30mm	Wooden dowel	12 pcs
B		Ø6x35mm	Cam bolt	12 pcs
C		Ø15x12mm	Cam lock	12 pcs
D			Sticker	8 pcs
E		Ø6x50mm	Screw	4 pcs
F		4mm	Allen Key	1 pcs
G		Ø3.5x14mm	Screw	8 pcs
H		Ø4x30mm	Screw	4 pcs
I			Glue tube	1 pcs
J			Drawer slider	1 set
K			Plastic wedge	4 pcs
L		Ø3x16mm	Screw	4 pcs
M		Ø4x14mm	Screw	16 pcs
N			Handle	1 pcs
O		Ø4x20mm	Screw	2 pcs





Philips head screwdriver required for assembly
(not included)

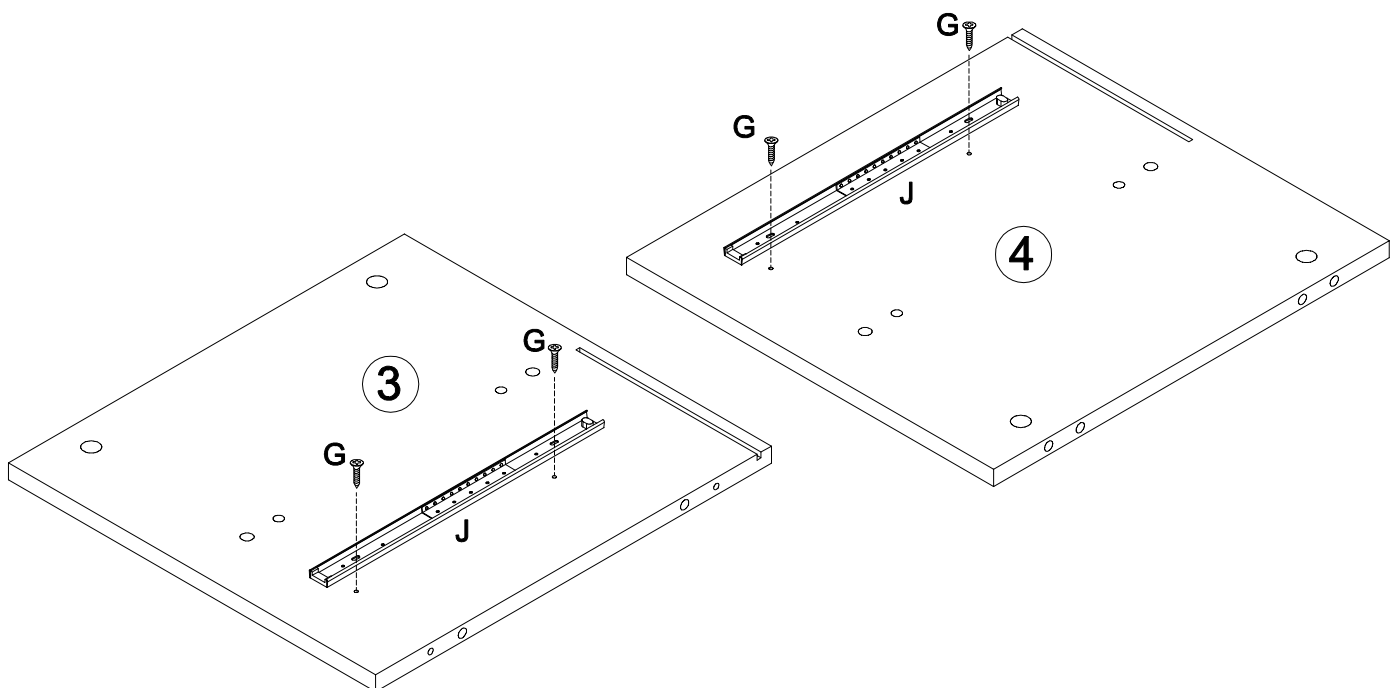
*The hardware quantities listed above are required for proper assembly.
Some extra hardware may also have been included.*

Step 1






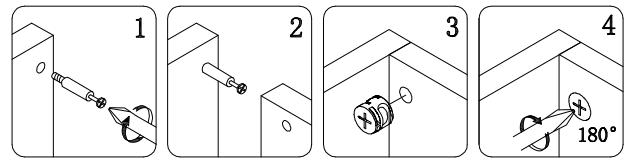
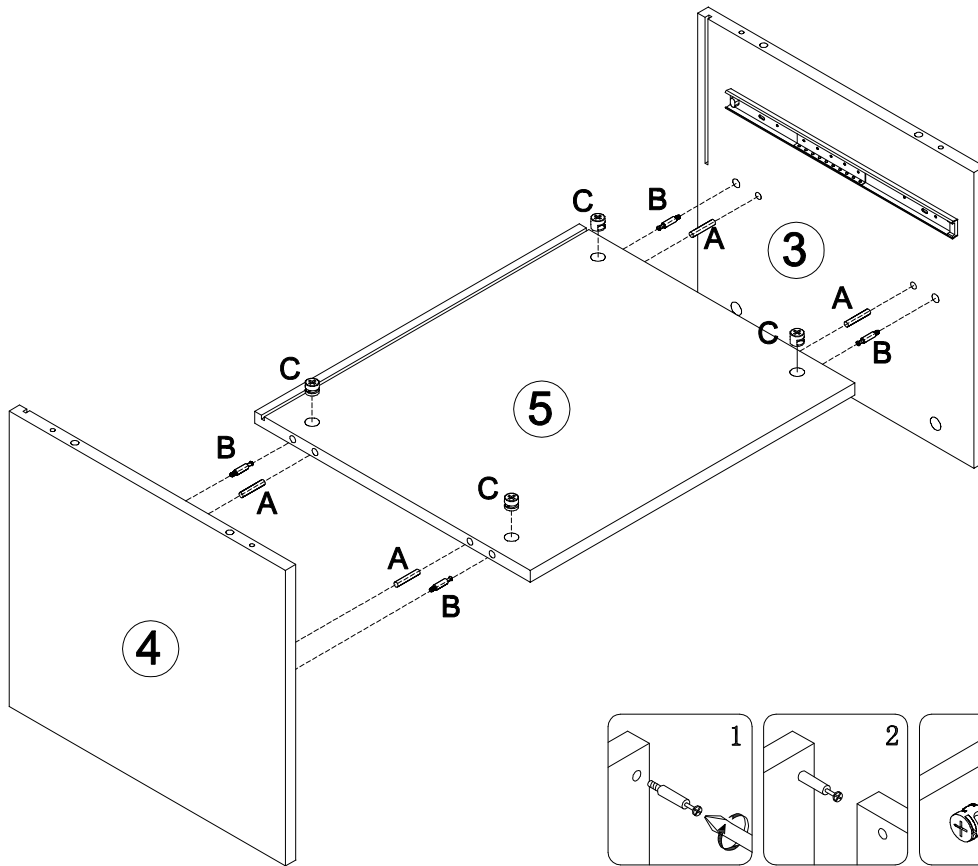
Step 2

G x 4	J x 1
 Ø3.5x14mm	






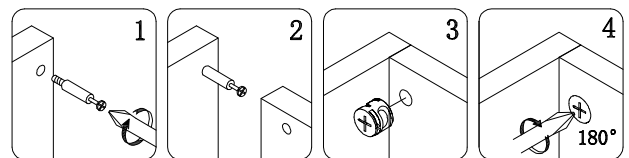
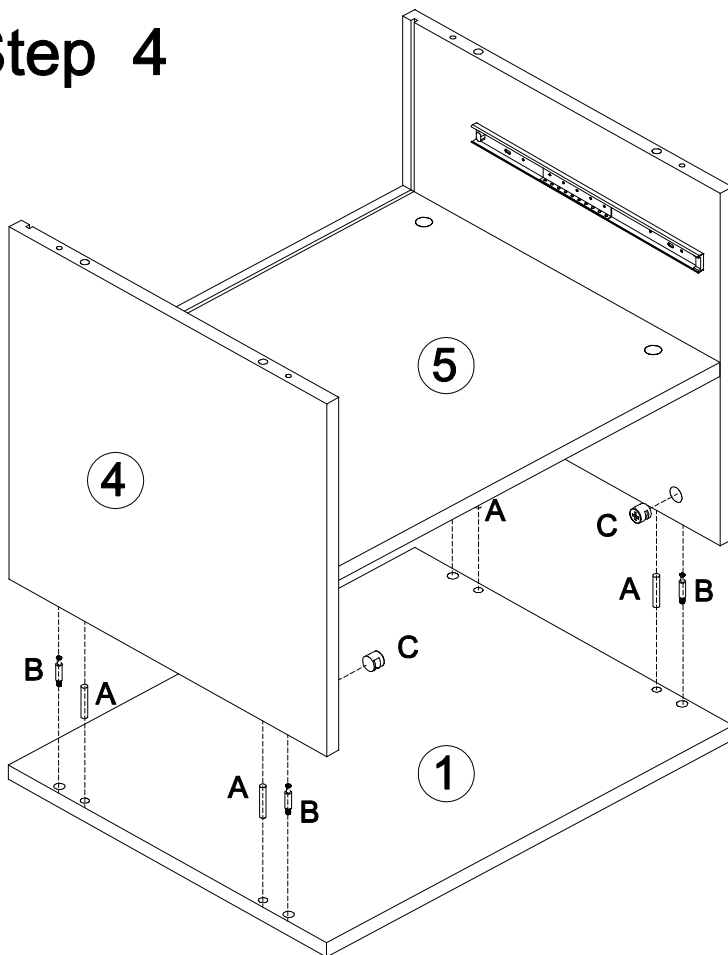
Step 3

A x 4  Ø8x30mm	B x 4  Ø6x35mm	C x 4  Ø15x12mm
--	--	---

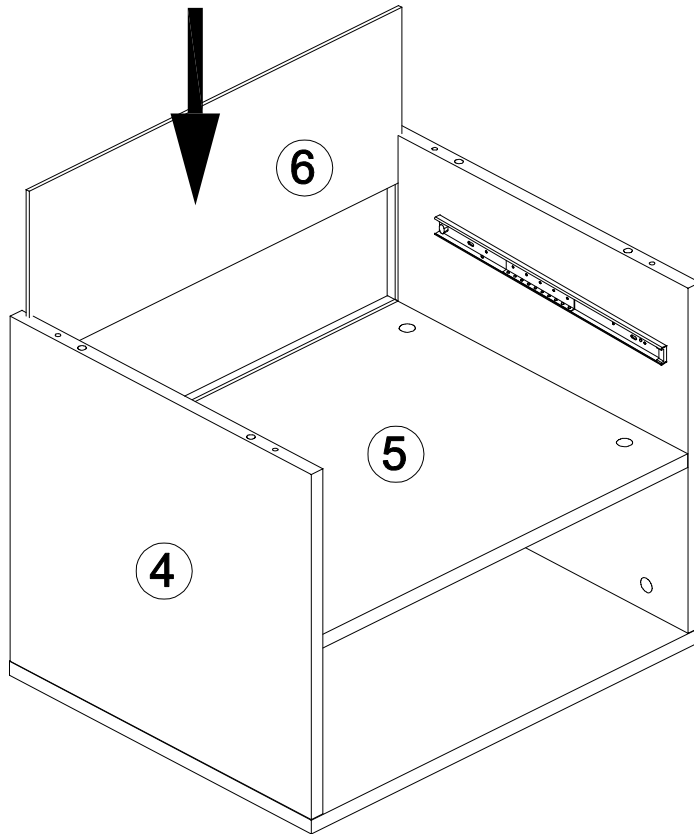


Step 4

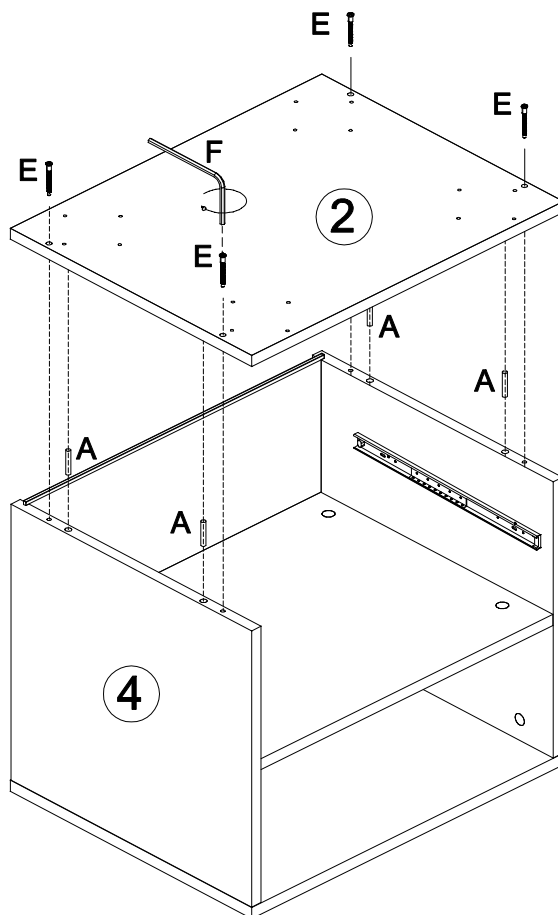
A x 4  Ø8x30mm	B x 4  Ø6x35mm	C x 4  Ø15x12mm
--	--	---






Step 5



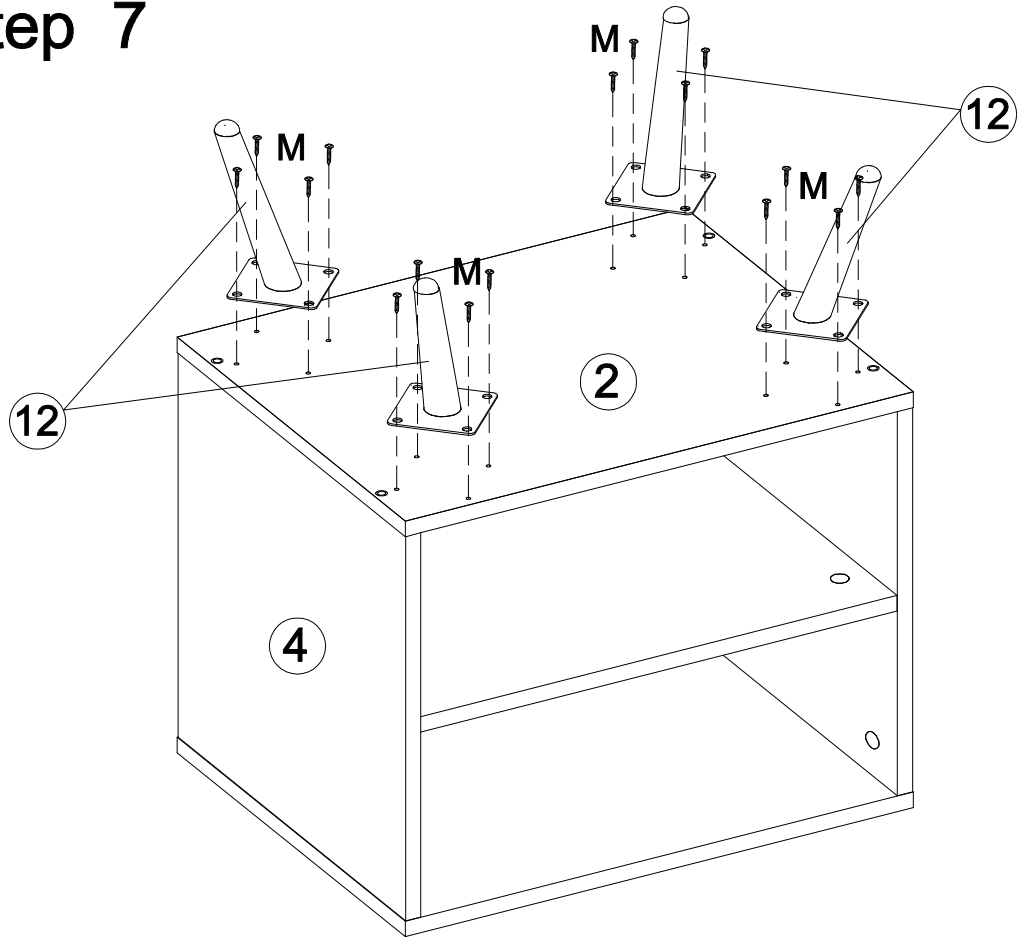
Step 6



A x 4  Ø8x30mm	E x 4  Ø6x50mm	F x 1  4mm
--	--	--

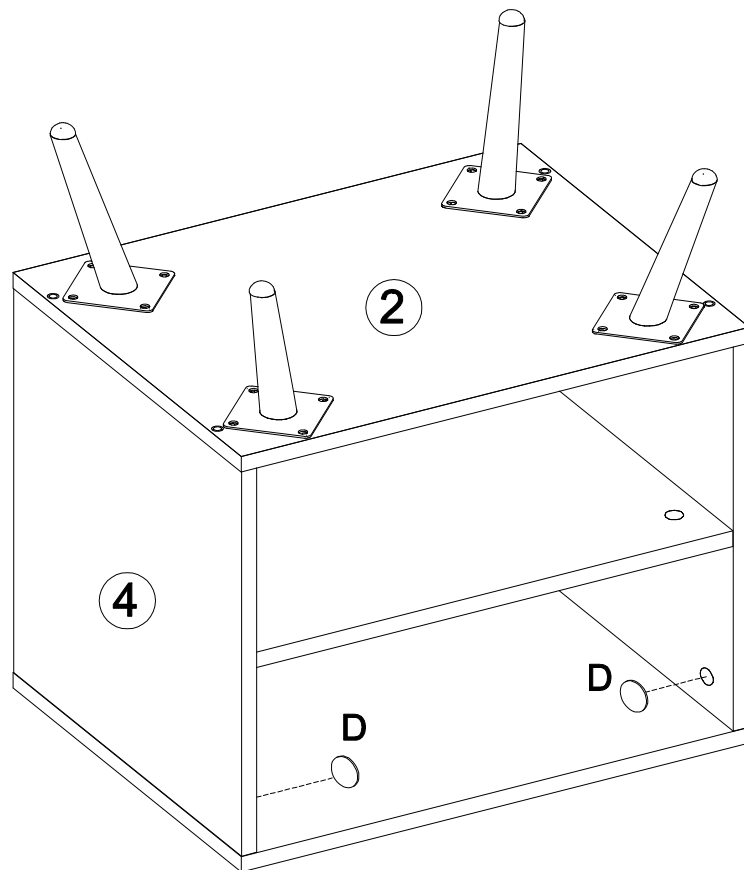
Step 7

M x 16
←
Ø4x14mm


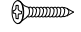


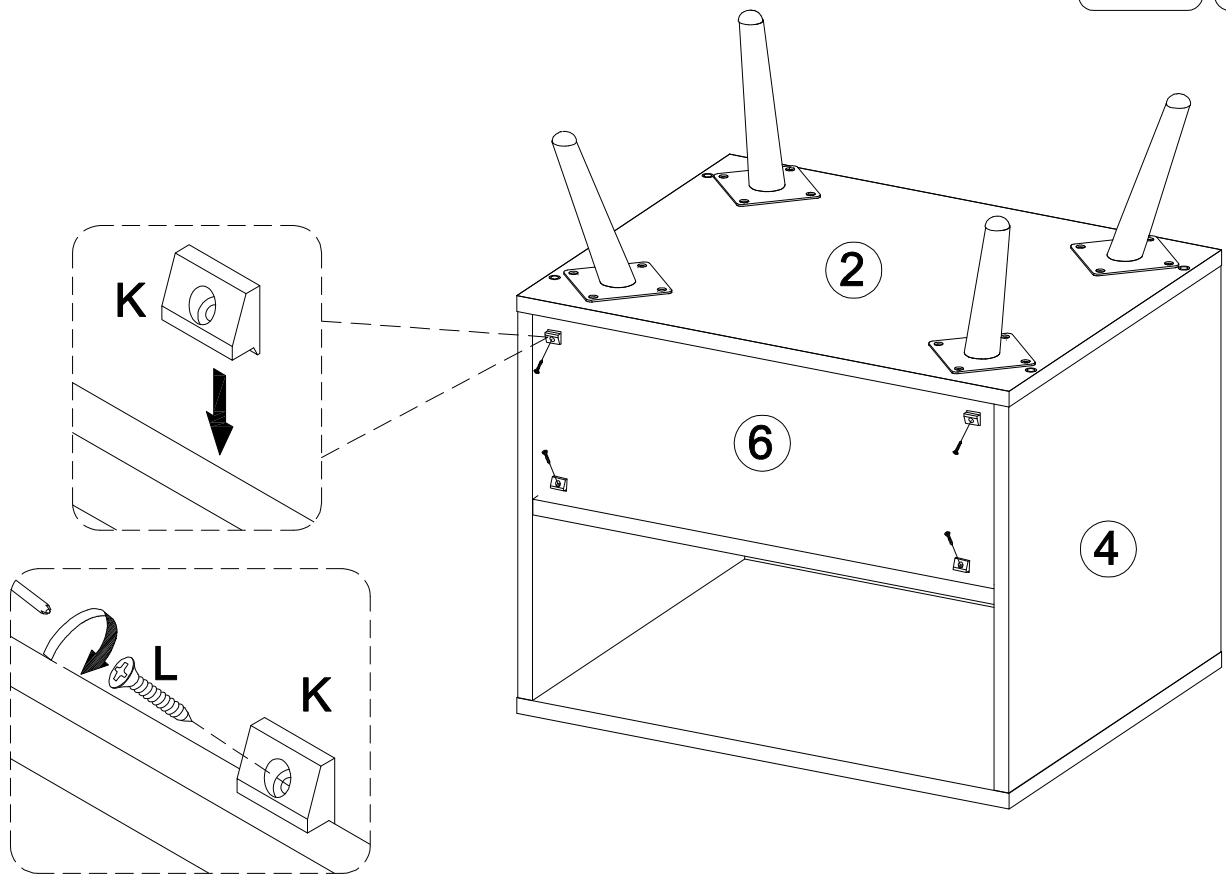
Step 8

D x 4
○



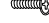


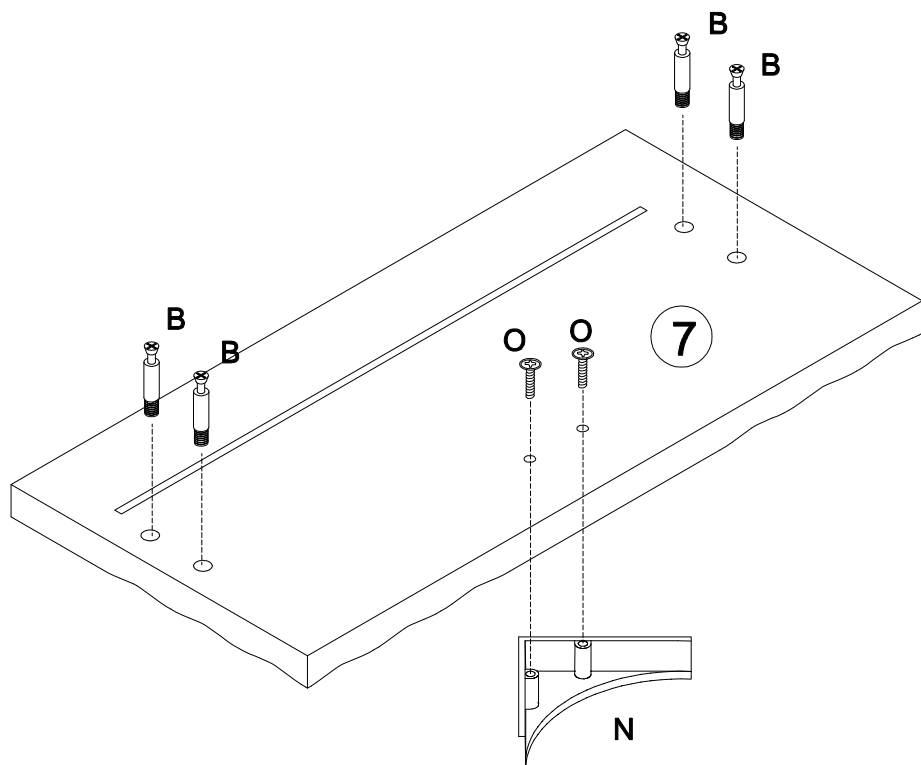
Step 9

K x 4	L x 4
	
	Ø3x16mm



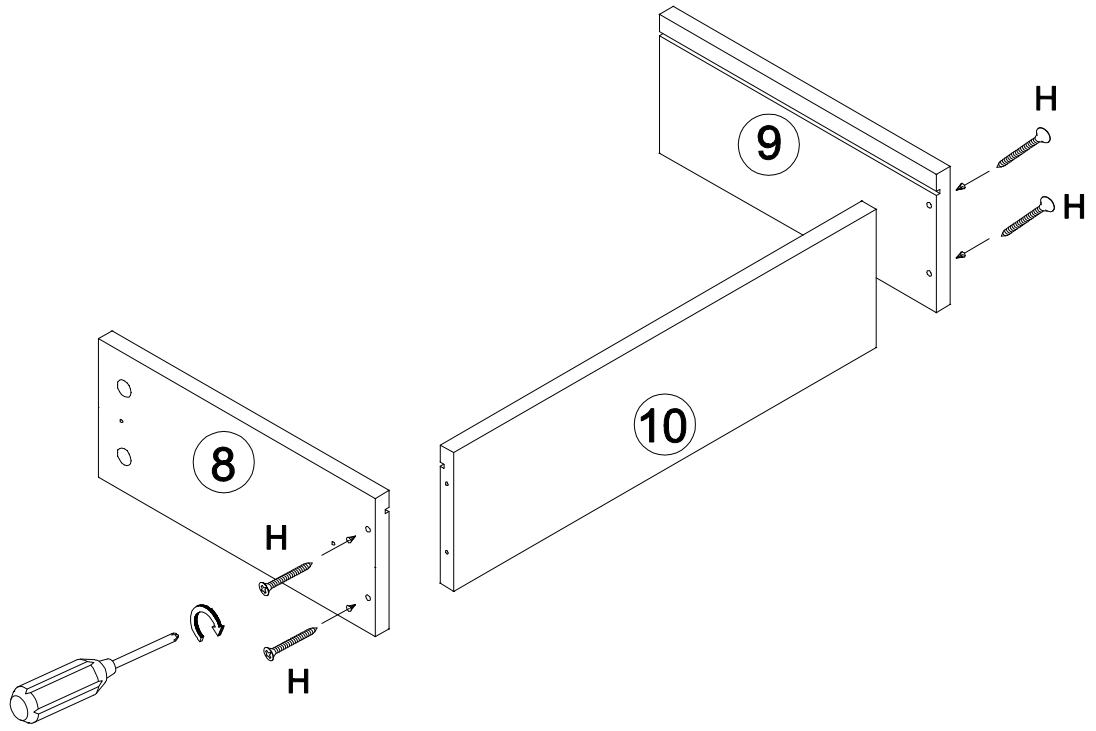
Step 10

B x 4	N x 1	O x 2
		
Ø6x35mm		Ø4x20mm



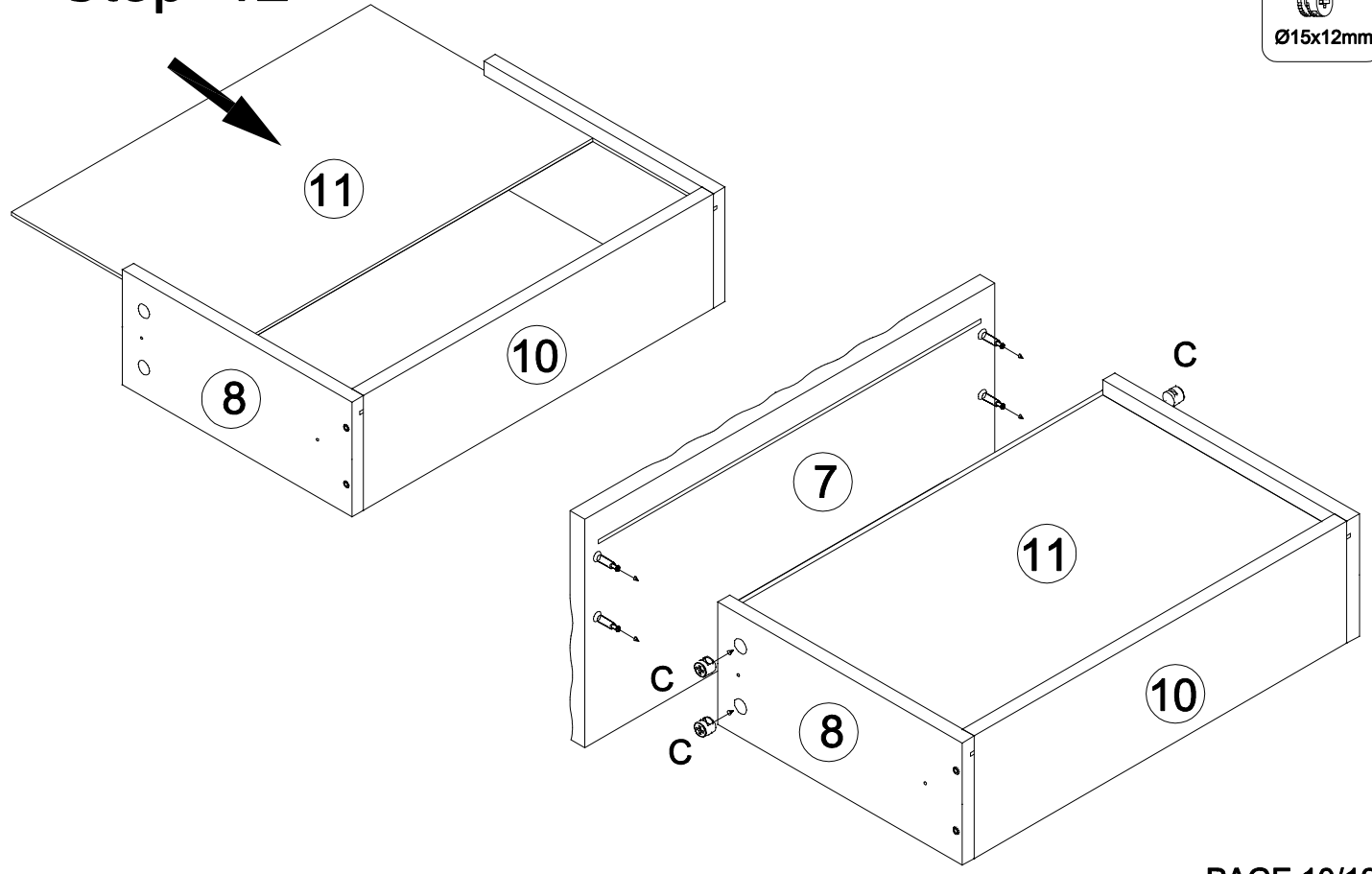
Step 11

H x 4
Ø4x30mm





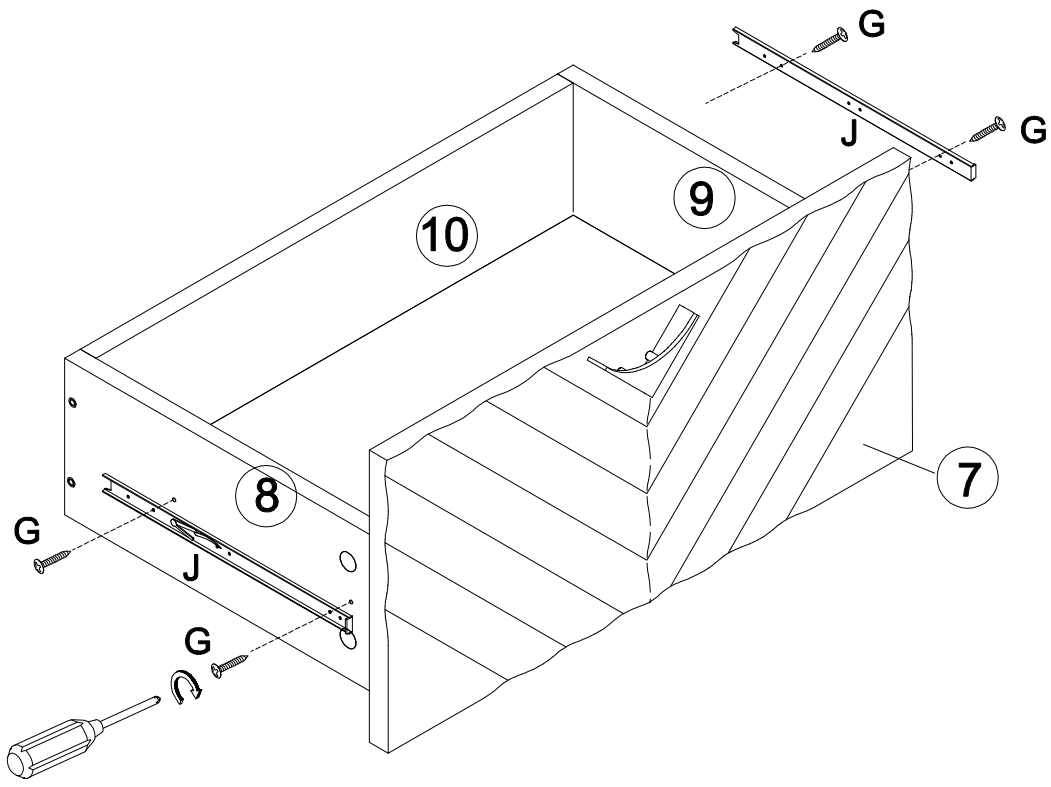
Step 12

C x 4
Ø15x12mm




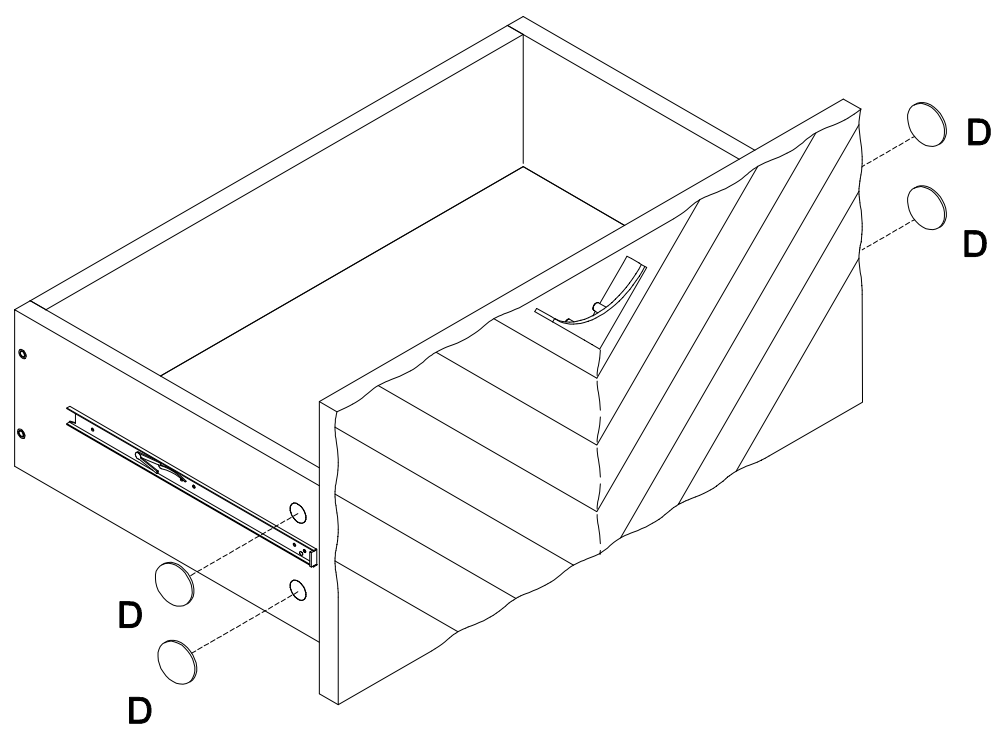
Step 13

G x 4	J x 1
 Ø3.5x14mm	

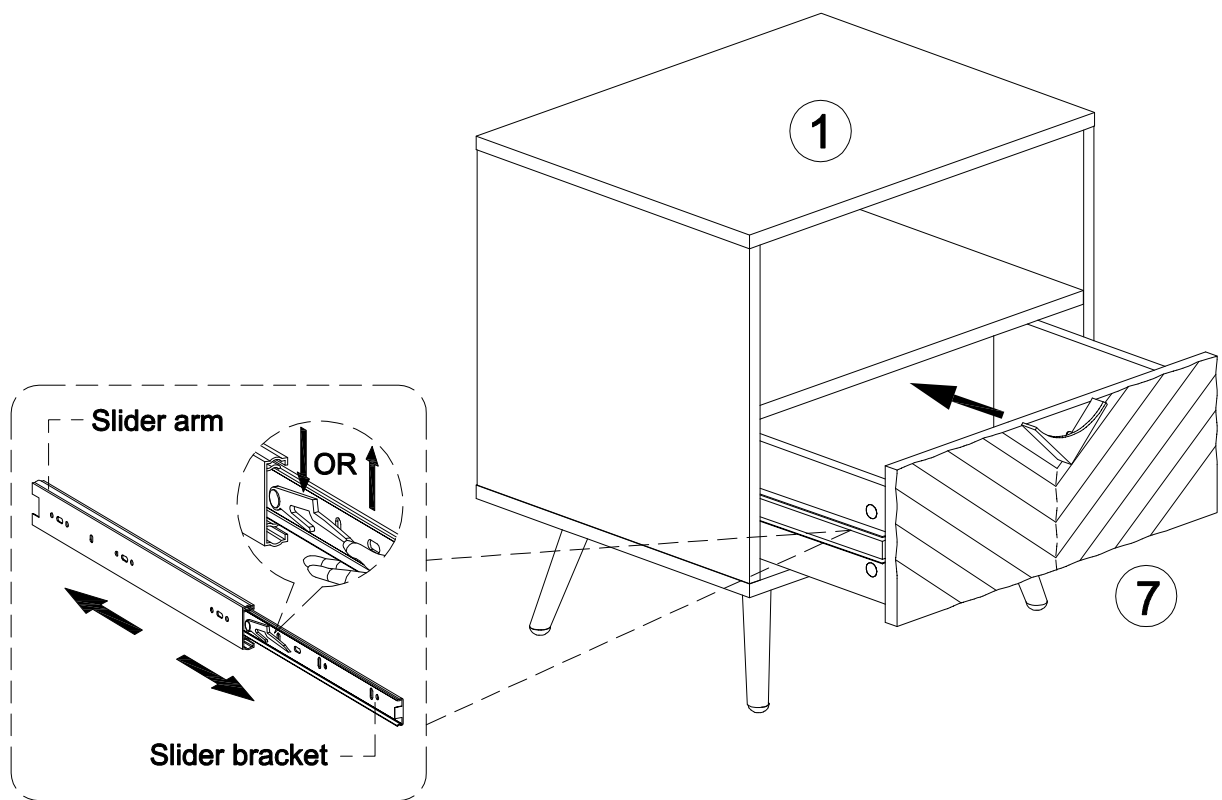


Step 14

D x 4




Step 15



Step 16

