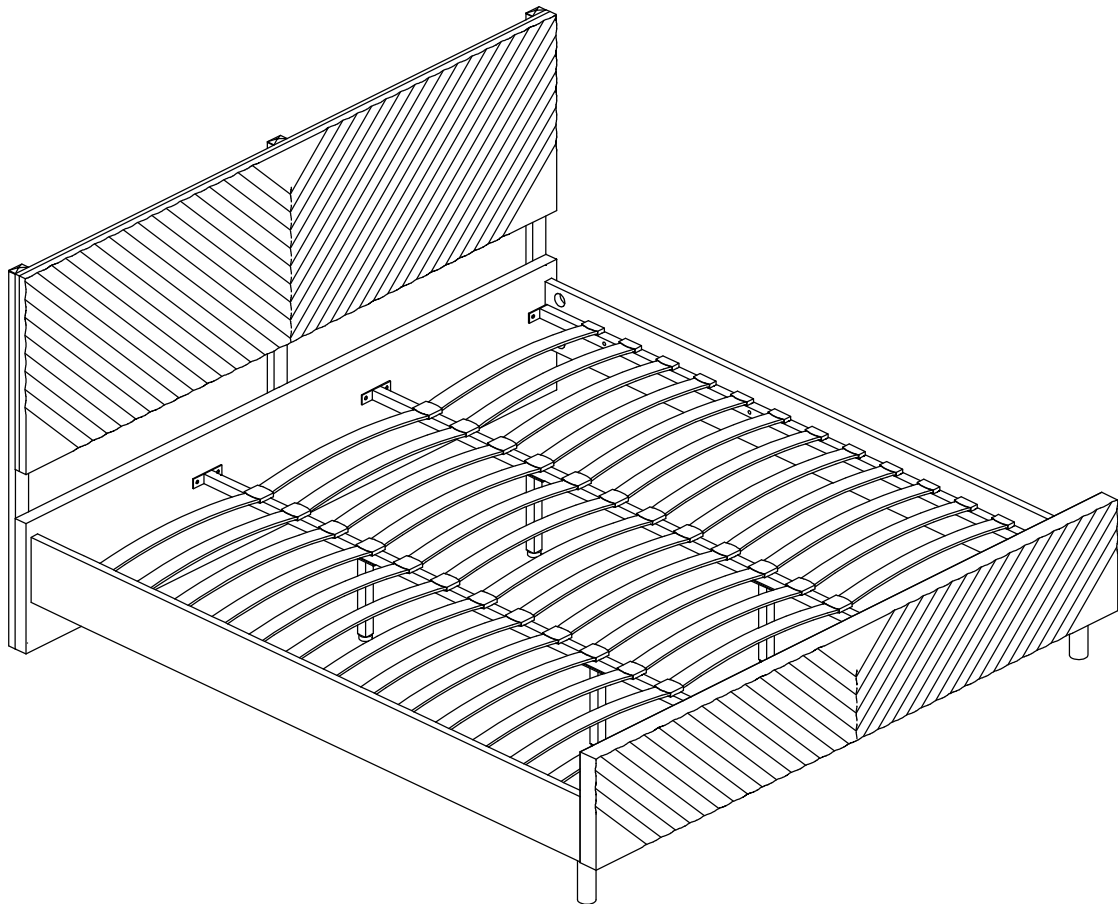


# ASSEMBLY INSTRUCTION FOR ACME FURNITURE

## **MODEL#BD01039EK1/BD01039EK2/BD01033EK1/BD01033EK2**

Thank you for purchasing the quality product. Be sure to check all packing material carefully for small parts which may have come loose inside the carton during shipment. Separate, identify and count all parts and metal hardware. Compare with all parts list to be sure all parts are present. If any part(s) are missing or damaged, please contact your local furniture dealer. For efficient and speedy service, please indicate the model number and code letter of part(s) needed.

**\*\*\*Do not fully tighten screws until fully assembled\*\*\***

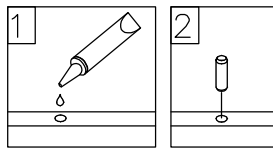


### **Attention:**

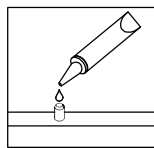
**\*\*\*Some number parts listed on the instruction sheet may not be in parts bag as they may already be assembled. Carefully check parts and packing materials prior to ordering replacements.**

# General Assembly Guidelines

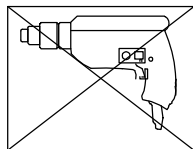
- I. Ensure that all parts and hardware are available before beginning assembly.
- II. Follow each step carefully to ensure the proper assembly of this product.
- III. Two people are recommended for ease in the assembly of this product.
- IV. The three main types of hardware used to assemble this product are: wood dowels, screws and bolts.
- V. The provided glue is to secure wood dowels in place. When first inserting dowels, locate the appropriate hole for the dowel, place a small amount of glue in the hole and insert the dowel. Wipe away excess glue immediately.



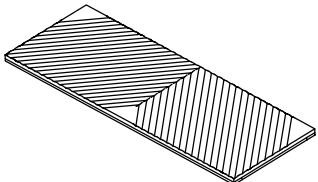

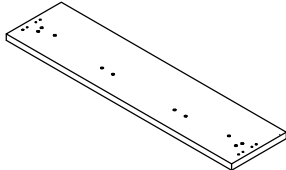
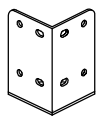
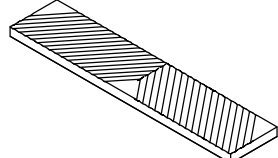
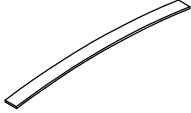
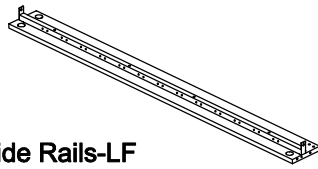
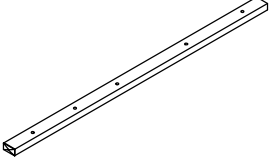
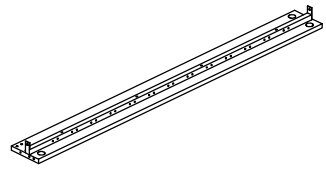
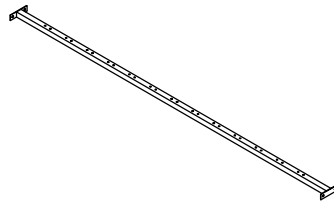
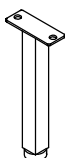
In future assembly steps when dowels are necessary to attach assembly parts together, place a small amount of glue on the end of the dowel before attaching parts together. Wipe away excess glue immediately.









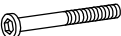




- VI. Power tools should not be used to assemble this product.



# COMPONENT PARTS




DESCRIPTION	PART NAME	QTY(PCS)	DESCRIPTION	PART NAME	QTY(PCS)
①	 Headboard-Top Panel	1	⑨	 Metal Legs	2
②	 Headboard-Bottom Panel	1	⑩	 Metal Corner Code	2
③	 Footboard	1	⑫	 Slats	39
④	 Side Rails-LF	1	⑬	 Metal Tube(Headboard)	3
⑤	 Side Rails-RF	1			
⑦	 Metal Tube(Slats)	2			
⑧	 Support Legs	4			

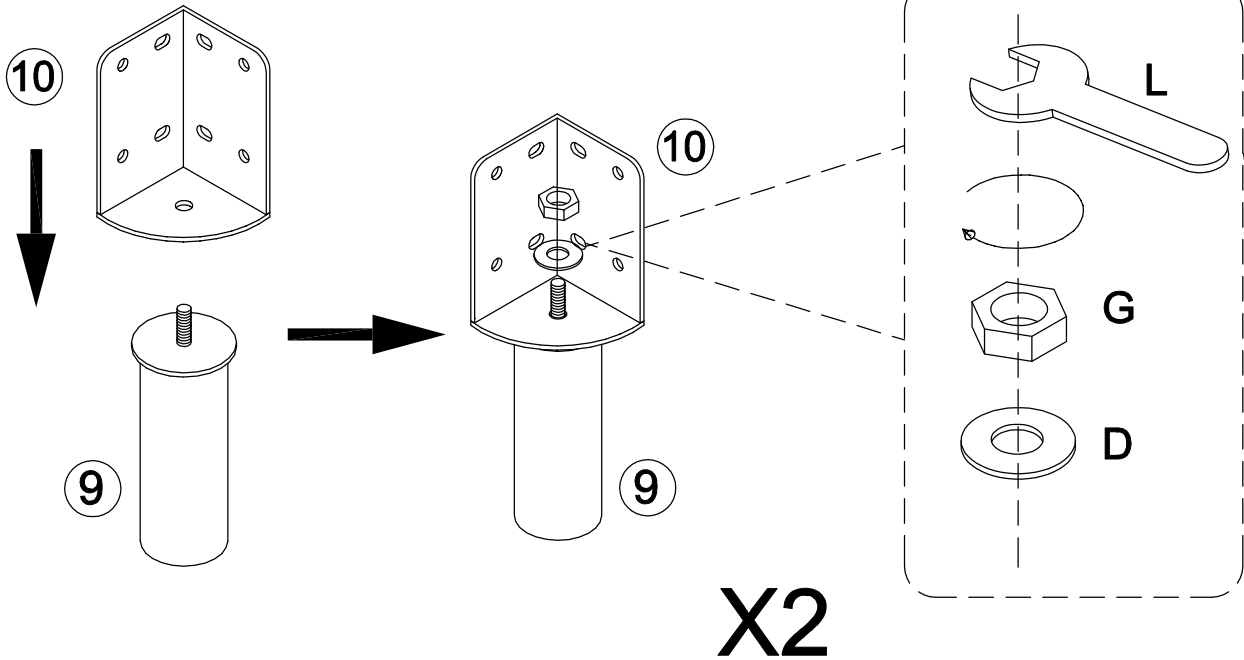
# Hardware List

A		Ø8x30mm	Wooden dowel	8 pcs
B		M6x15mm	Bolt	24 pcs
C		M8x20mm	Bolt	12 pcs
D		M8mm	Washer	17 pcs
E		4mm	Allen Key	1 pcs
F		5mm	Allen Key	1 pcs
G		M8mm	Nut	8 pcs
H		M8x95mm	Bolt	4 pcs
I			Glue tube	1 pcs
J		M8x80mm	Screw rod	2 pcs
K			Semilunar lock	6 pcs
L			Wrench	1 pcs
M			Glue sleeve	26 pcs
N			Glue sleeve	26 pcs
O		M8x45mm	Bolt	15 pcs



*The hardware quantities listed above are required for proper assembly.  
Some extra hardware may also have been included.*

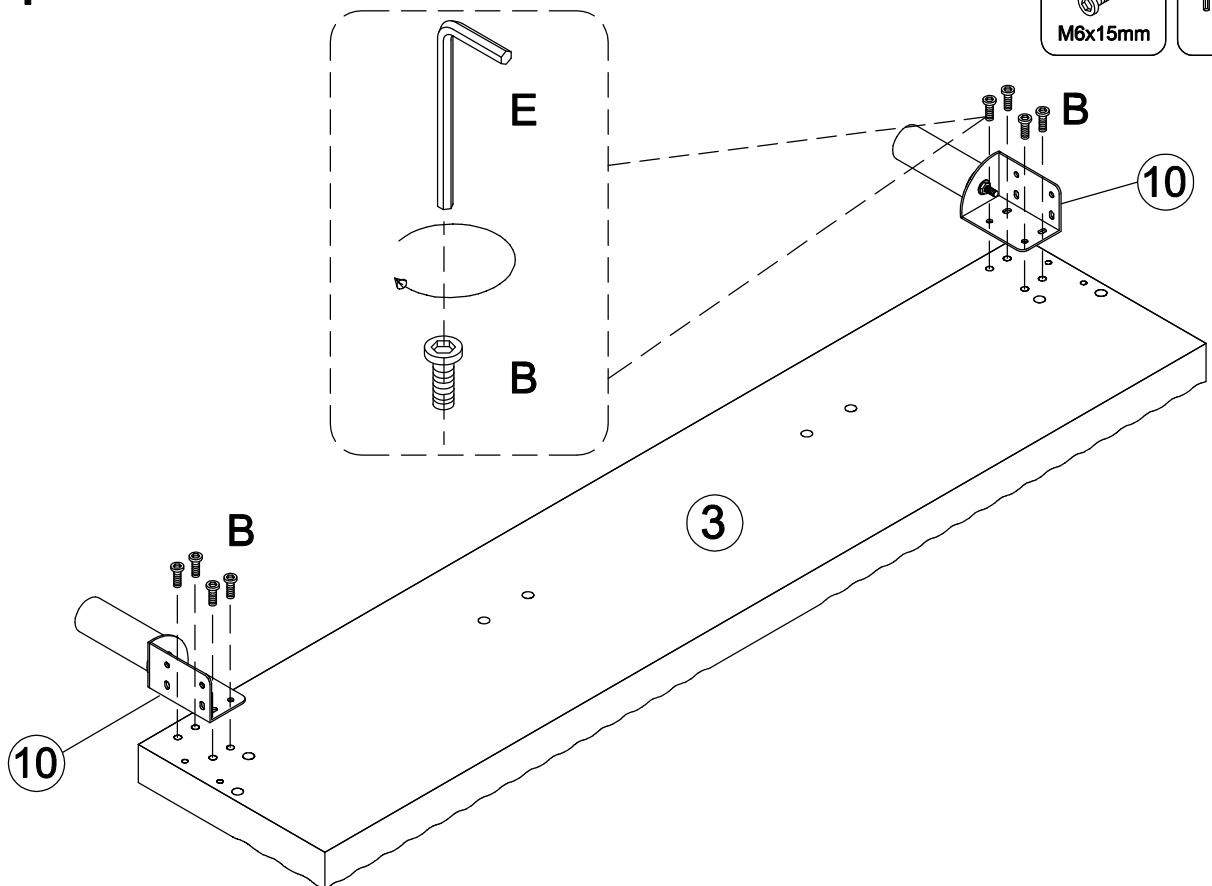
# Step 1

D x 2	G x 2	L x 1
		
M8mm	M8mm	

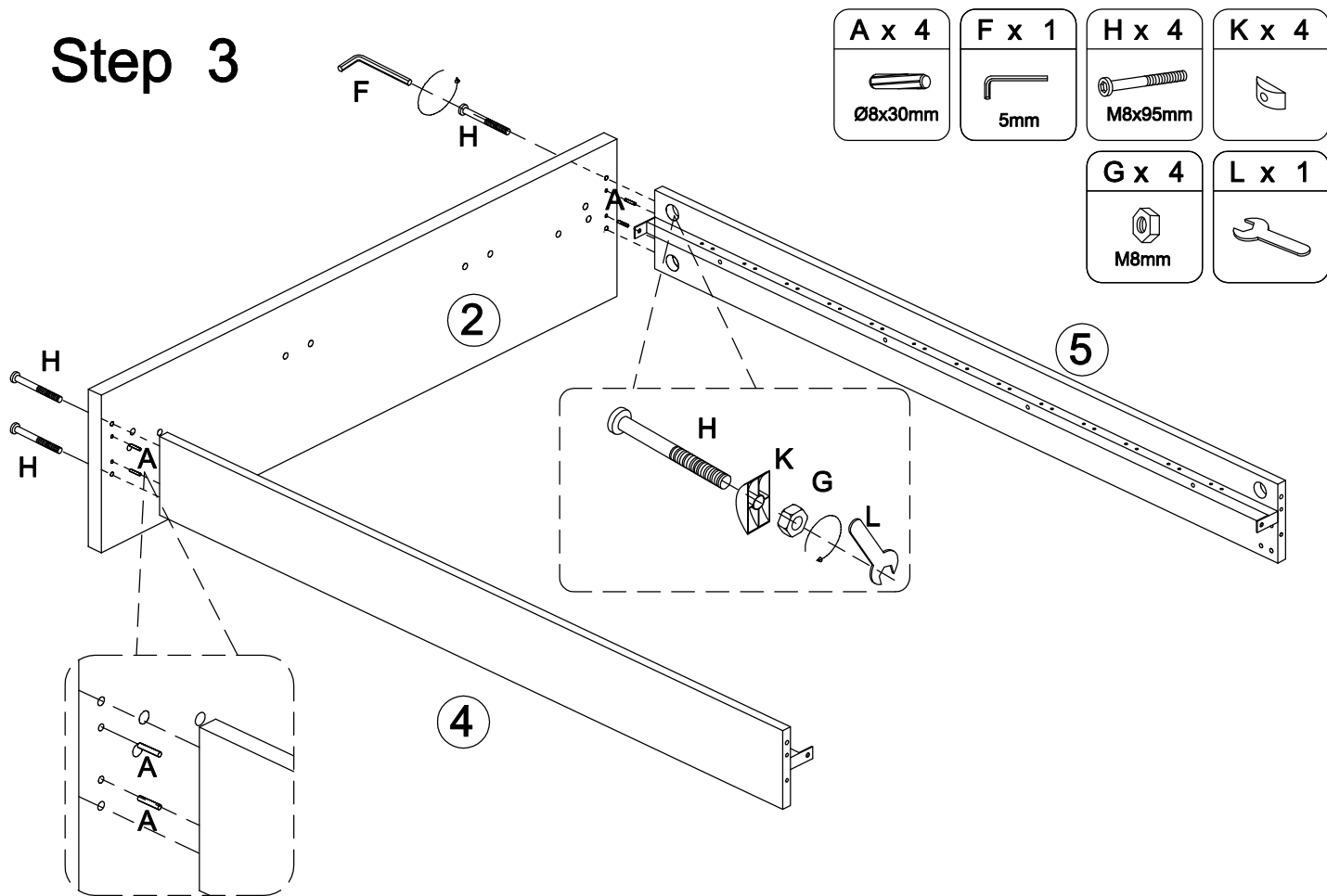



# Step 2


B x 8	E x 1
	
M6x15mm	4mm





# Step 3




**A x 4**  
  
 Ø8x30mm

**F x 1**  
  
 5mm

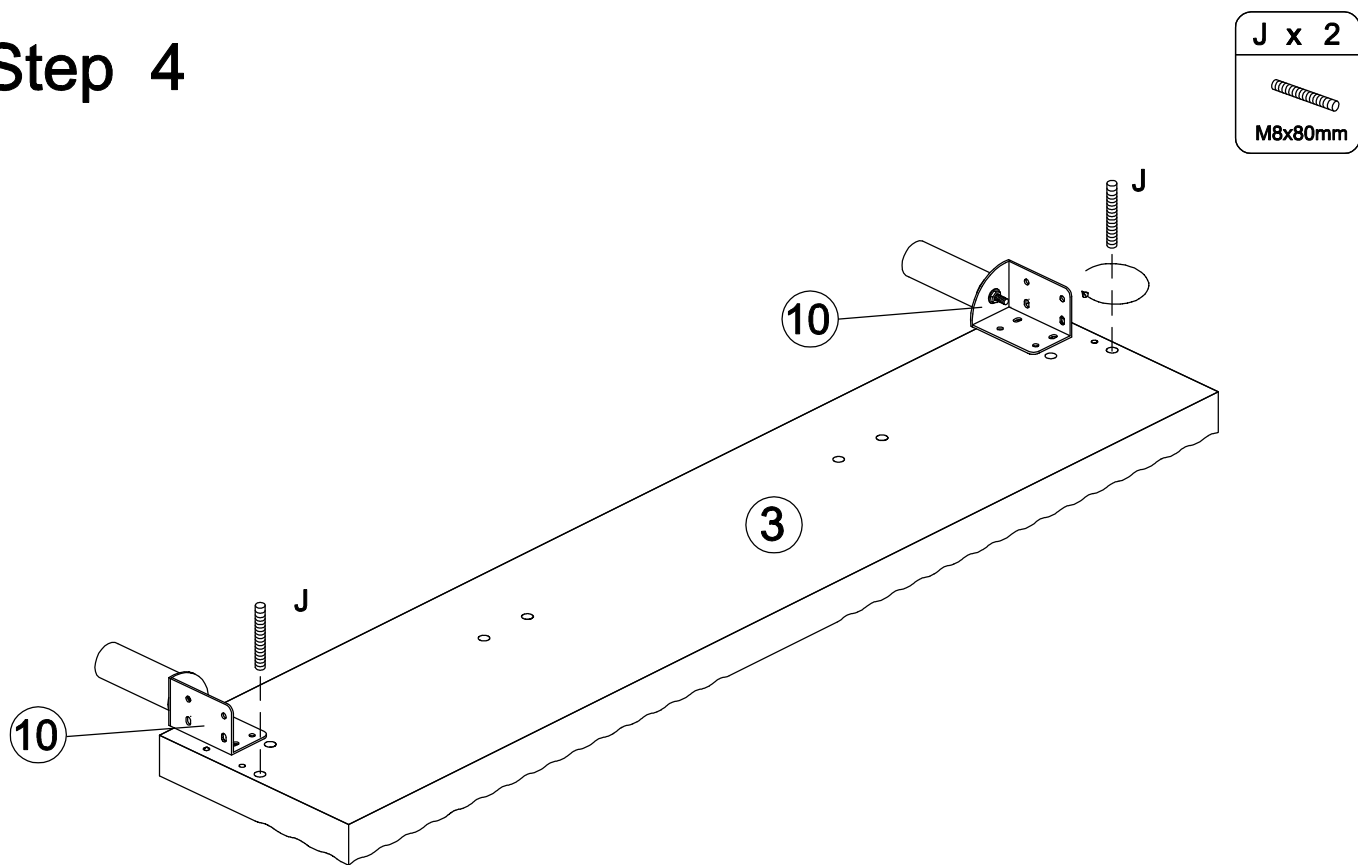
**H x 4**  
  
 M8x95mm


**K x 4**  


**G x 4**  
  
 M8mm






**L x 1**  


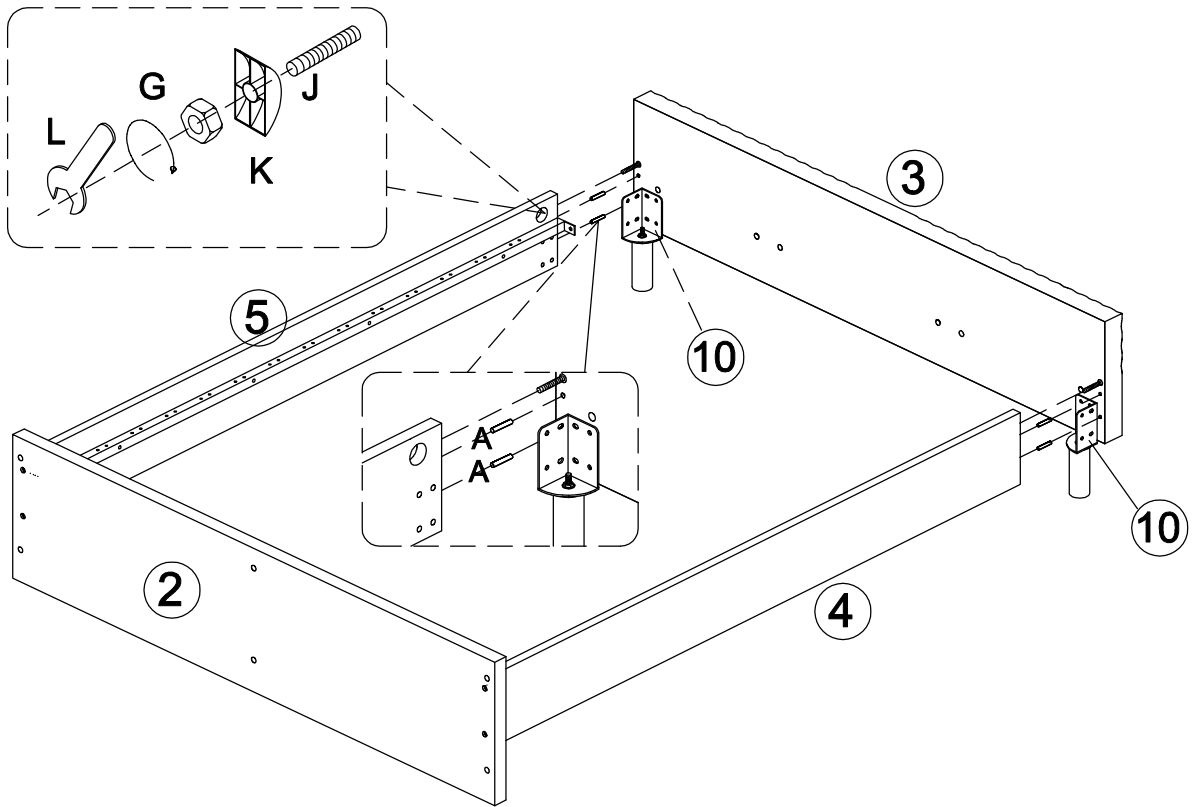
# Step 4





**J x 2**  
  
 M8x80mm

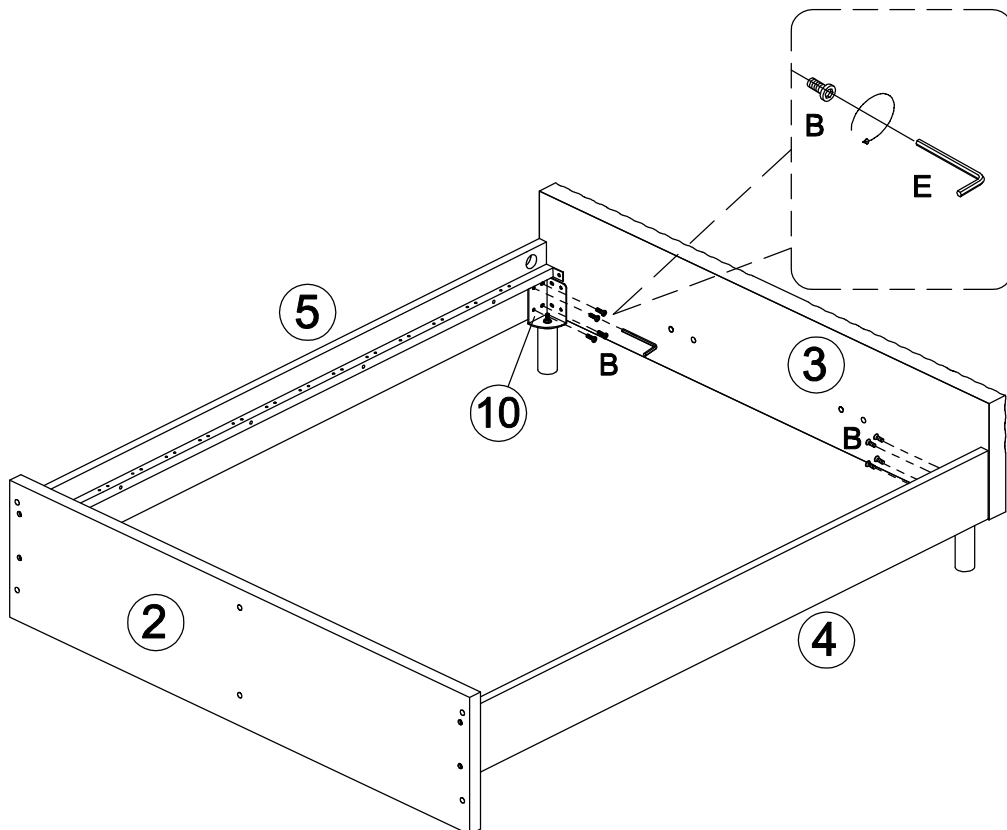
# Step 5

<b>A x 4</b>  Ø8x30mm	<b>J x 2</b>  M6x80mm	<b>K x 2</b> 	<b>G x 2</b>  M8mm	<b>L x 1</b> 
--	---	---	---	---



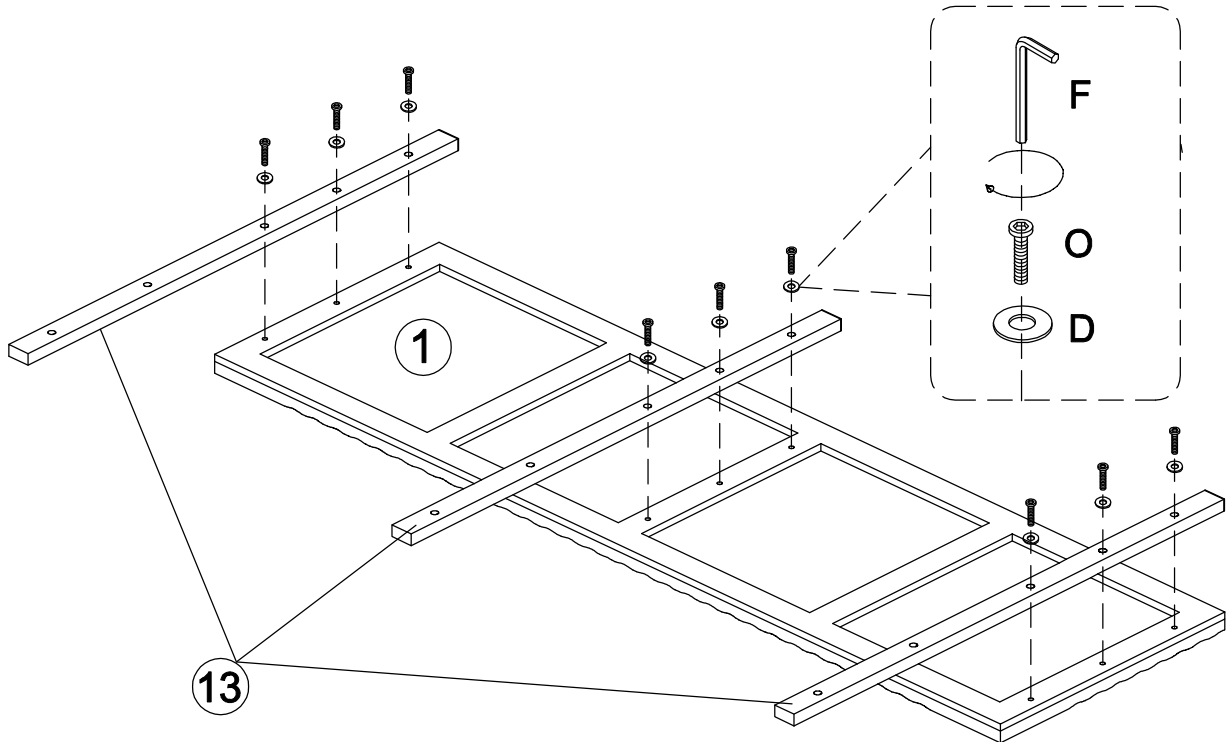
# Step 6

<b>B x 8</b>  M6x15mm	<b>E x 1</b>  4mm
--	--



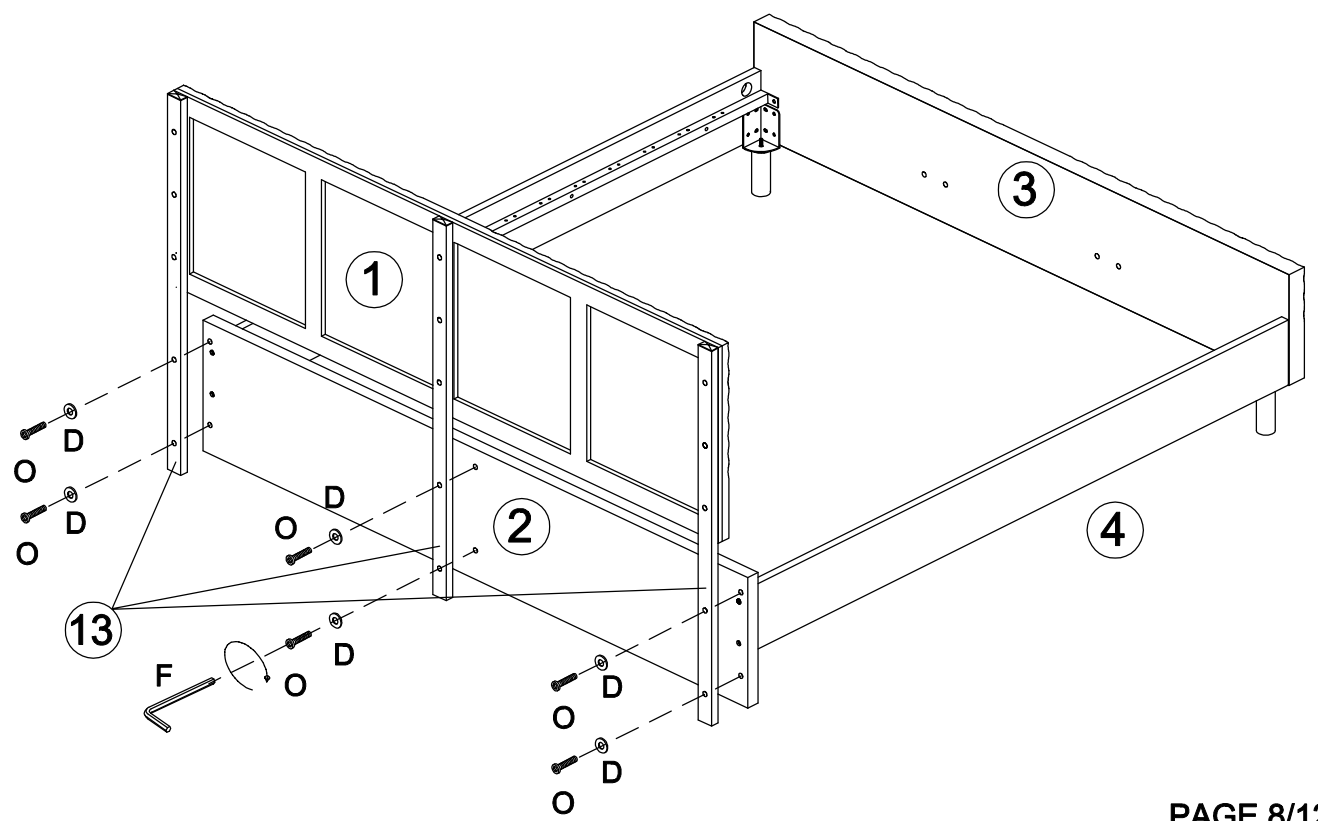
# Step 7

O x 9 M8x45mm	D x 9 M8mm	F x 1 5mm
------------------	---------------	--------------





# Step 8

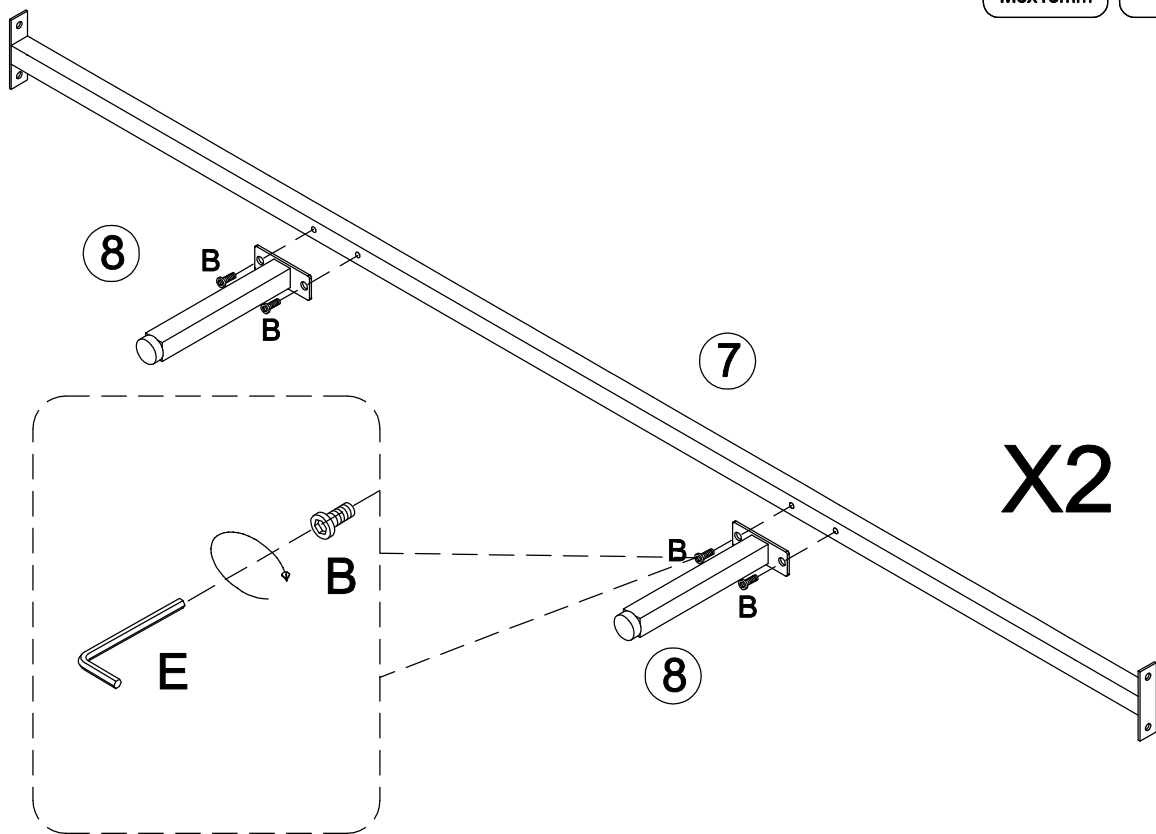
O x 6 M8x45mm	D x 6 M8mm	F x 1 5mm
------------------	---------------	--------------







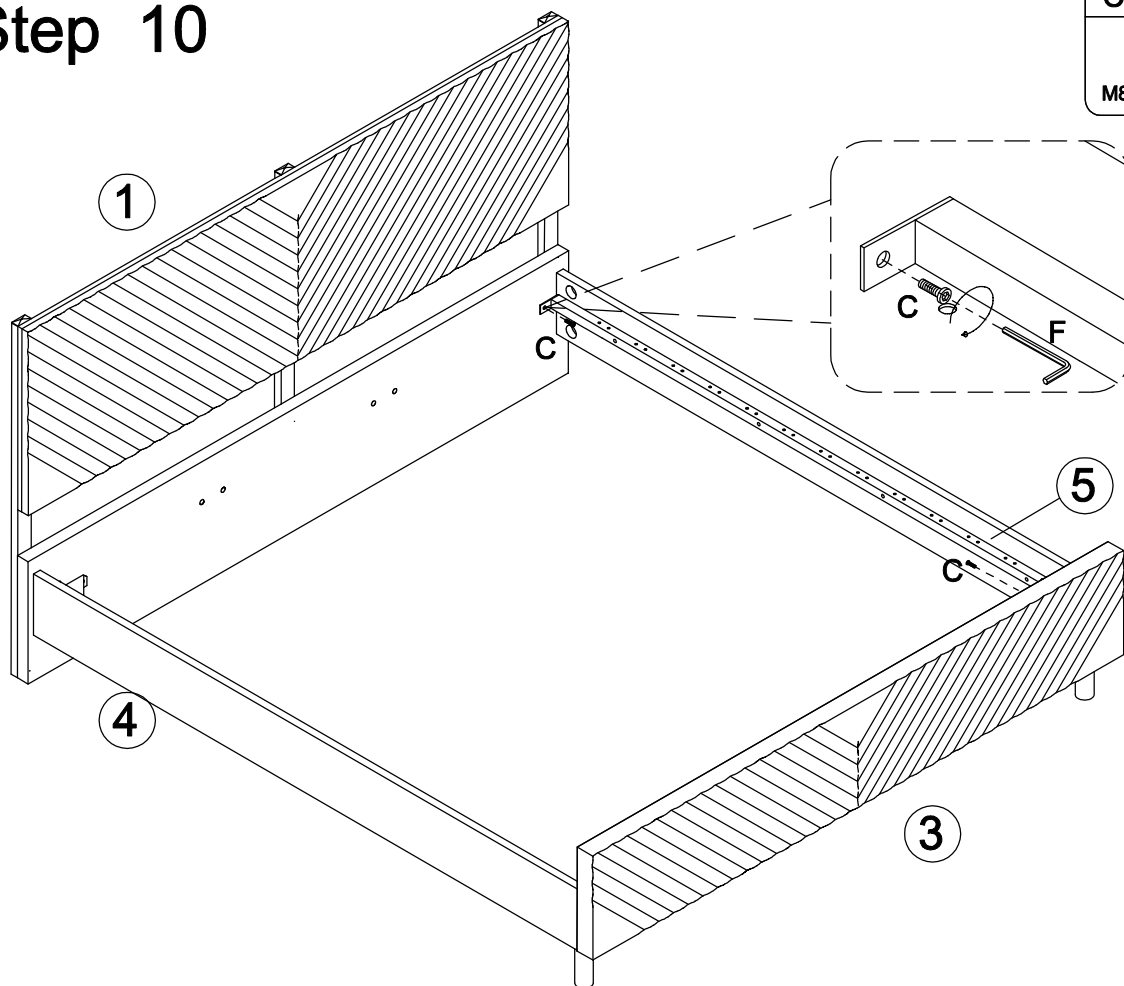
# Step 9

<b>B x 8</b>  M6x15mm	<b>E x 1</b>  4mm
--	--





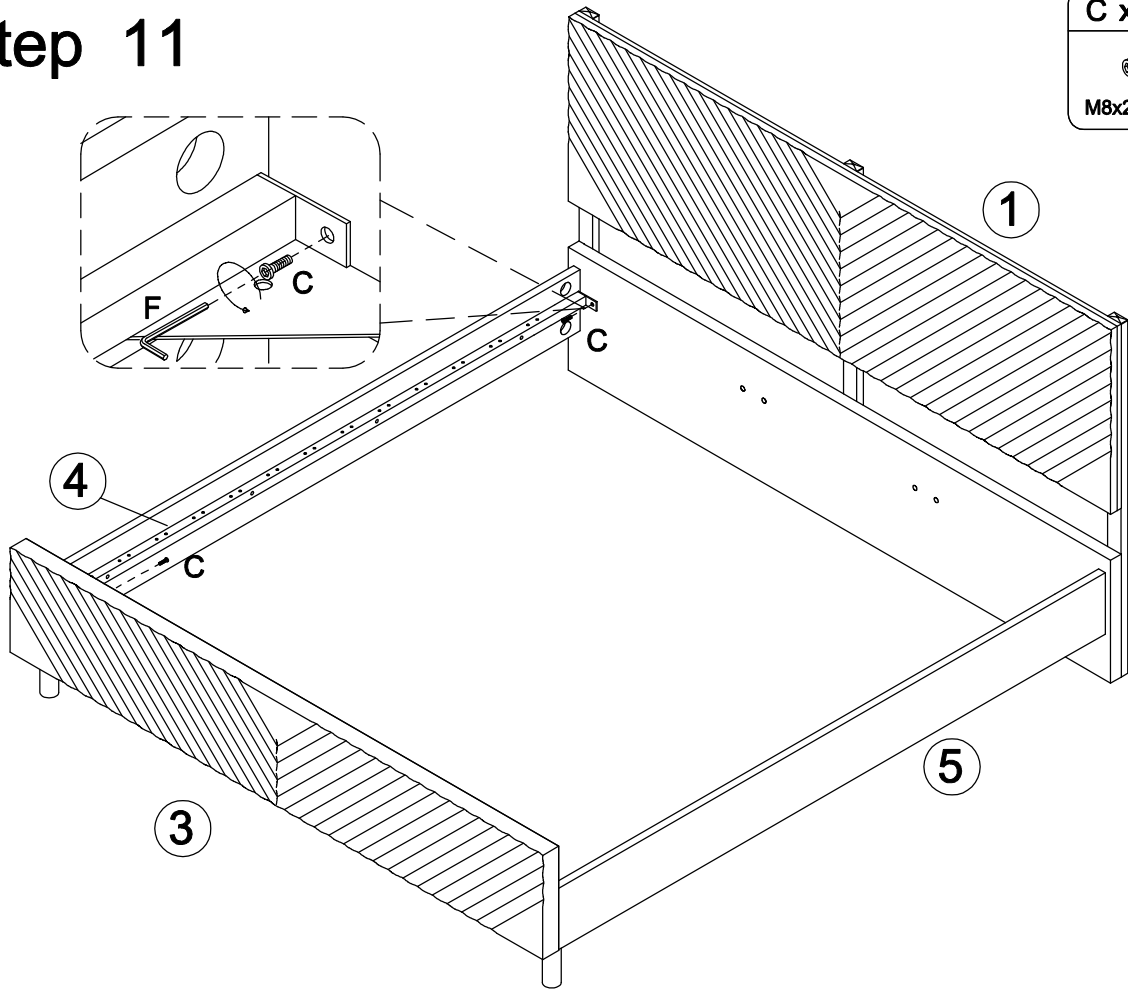
# Step 10

<b>C x 2</b>  M8x20mm	<b>F x 1</b>  5mm
--	--





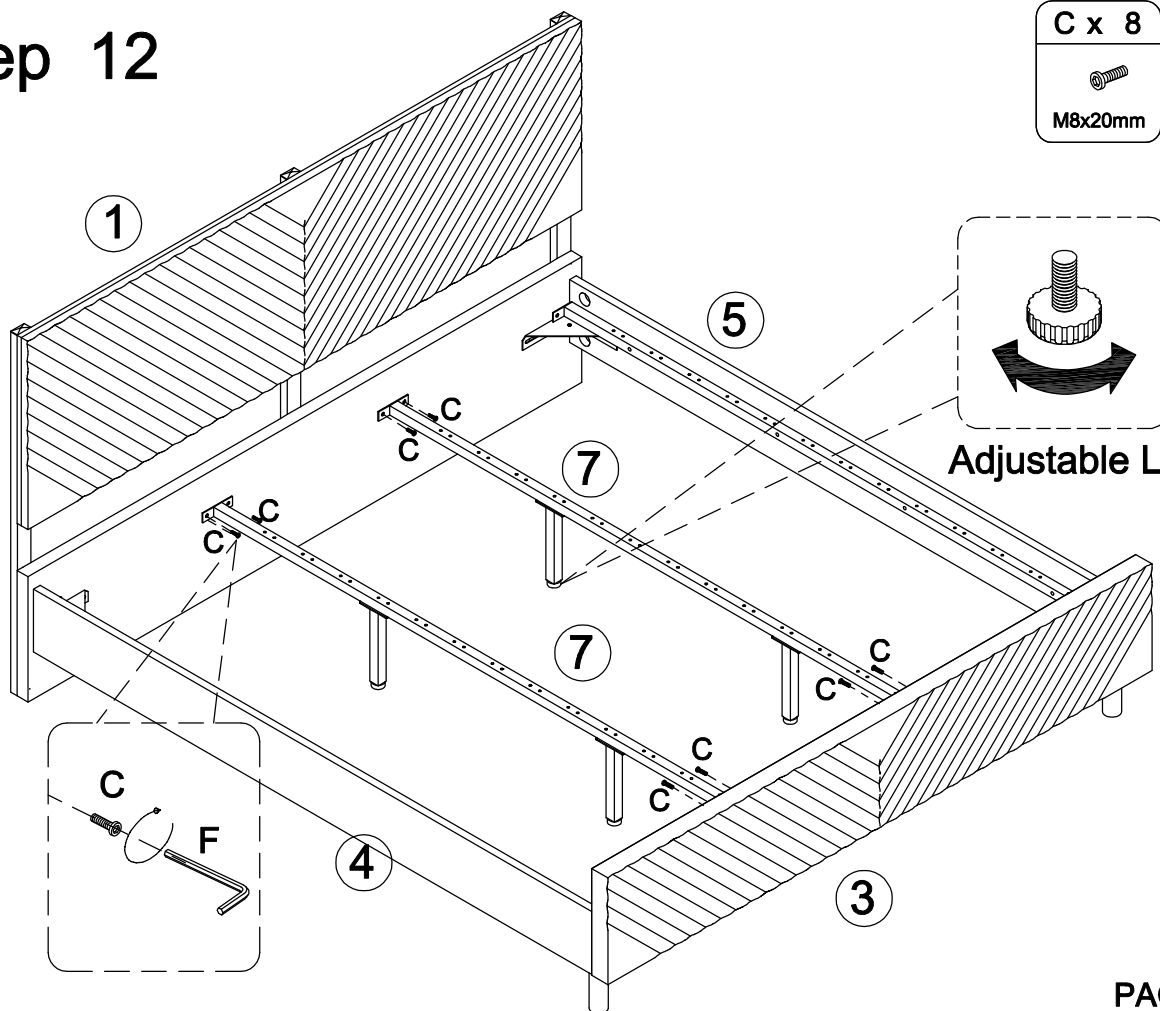
# Step 11

C x 2	F x 1
	
M8x20mm	5mm





# Step 12

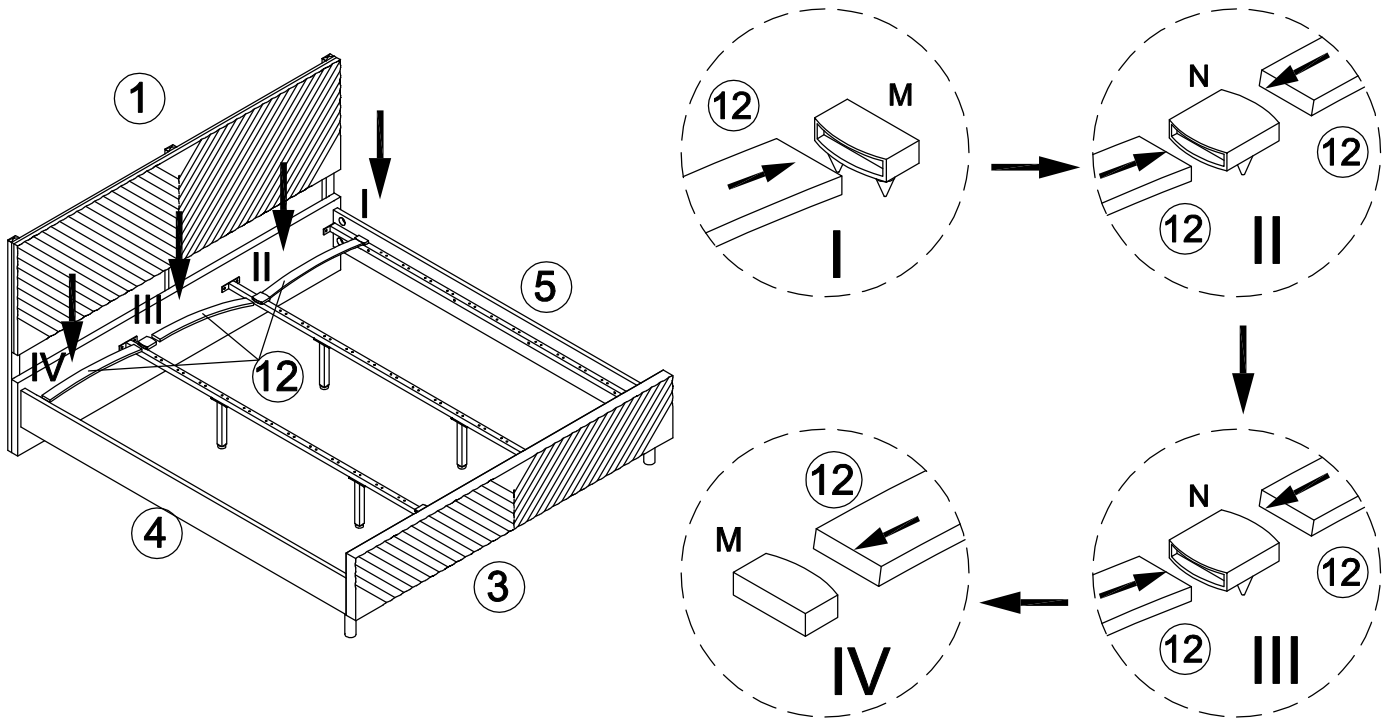
C x 8	F x 1
	
M8x20mm	5mm





Adjustable Levelers

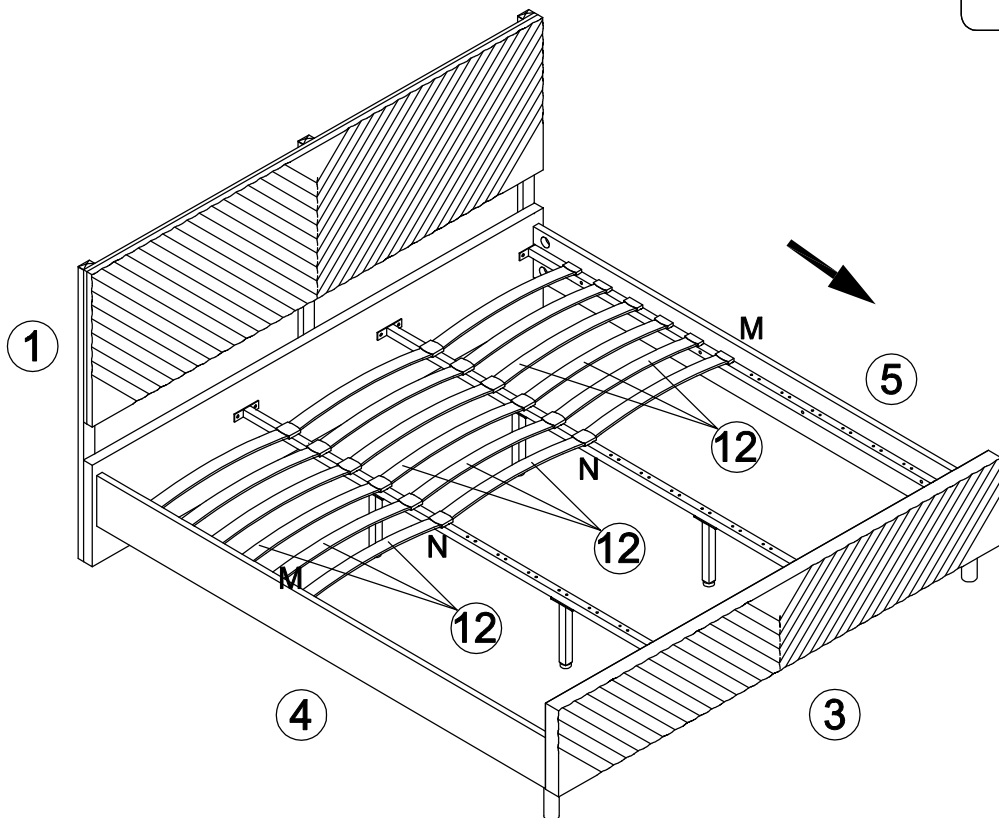
# Step 13

M x 2	N x 2
	



# Step 14

M x 24	N x 24
	



# Step 15

