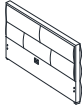
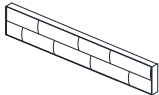
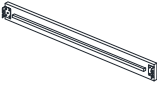
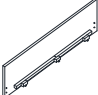
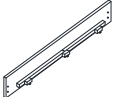
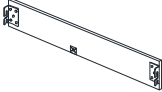
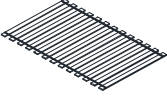
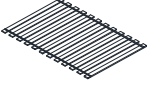





# ASSEMBLY INSTRUCTION FOR ACME FURNITURE










## MODEL #BD00955

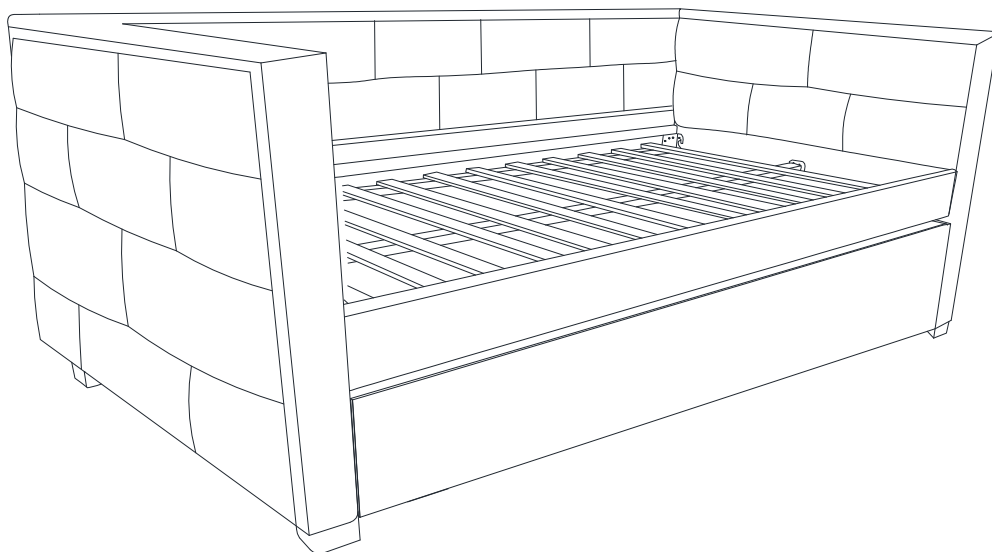
Thank you for purchasing the quality product. Be sure to check all packing material carefully for small parts which may have come loose inside the carton during shipment. Separate, Identify and count all parts and metal hardware. Compare with all parts list to be sure all parts are present. If any part(s) are missing or damaged, please contact your local furniture dealer. For efficient and speedy service, please indicate the model number and code letter of part(s) needed.

**\*\*Do not fully tighten screws until fully assembled\***

<b>COMPONENT PARTS</b>			
<b>DESCRIPTION</b>	<b>PART NAME</b>		<b>Q'TY(PCS)</b>
①	ARM (L&R)		2
②	TOP BACK PANEL		1
③	TOP SIDE RAILS		2
④	BOTTOM FRONT PANEL		1
⑤	BOTTOM BACK PANEL		1
⑥	BOTTOM SIDE PANELS		2
⑦	SLATS (TOP)		13
⑧	SLATS (BOTTOM)		12
⑨	TOP CENTRE WOOD SUPPORTOR (LONG)		1
⑩	BOTTOM CENTRE WOOD SUPPORTOR (SHORT)		1
⑪	FOOT		4

## HARDWARE REQUIRED

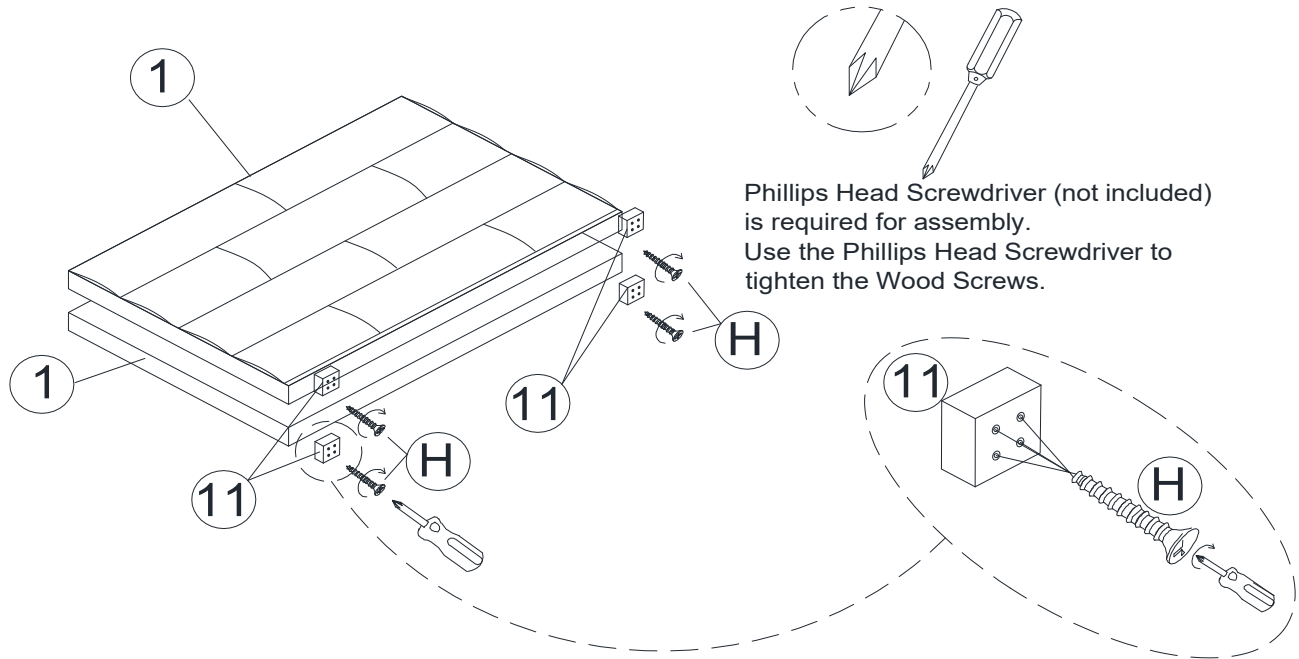
A		BOLT	5/16 x 1-1/2"	8	PCS
B		BOLT	5/16 x 2-1/2"	4	PCS
C		BOLT	5/16 x 3/4"	8	PCS
D		SPRING WASHER	5/16"	20	PCS
E		FLAT WASHER M8	19mm	16	PCS
F		FLAT WASHER M8	22mm	4	PCS
G		SCREW #8	1-1/4"	75	PCS
H		SCREW #8	2"	16	PCS
I		ALLEN KEY	5mm	1	PC



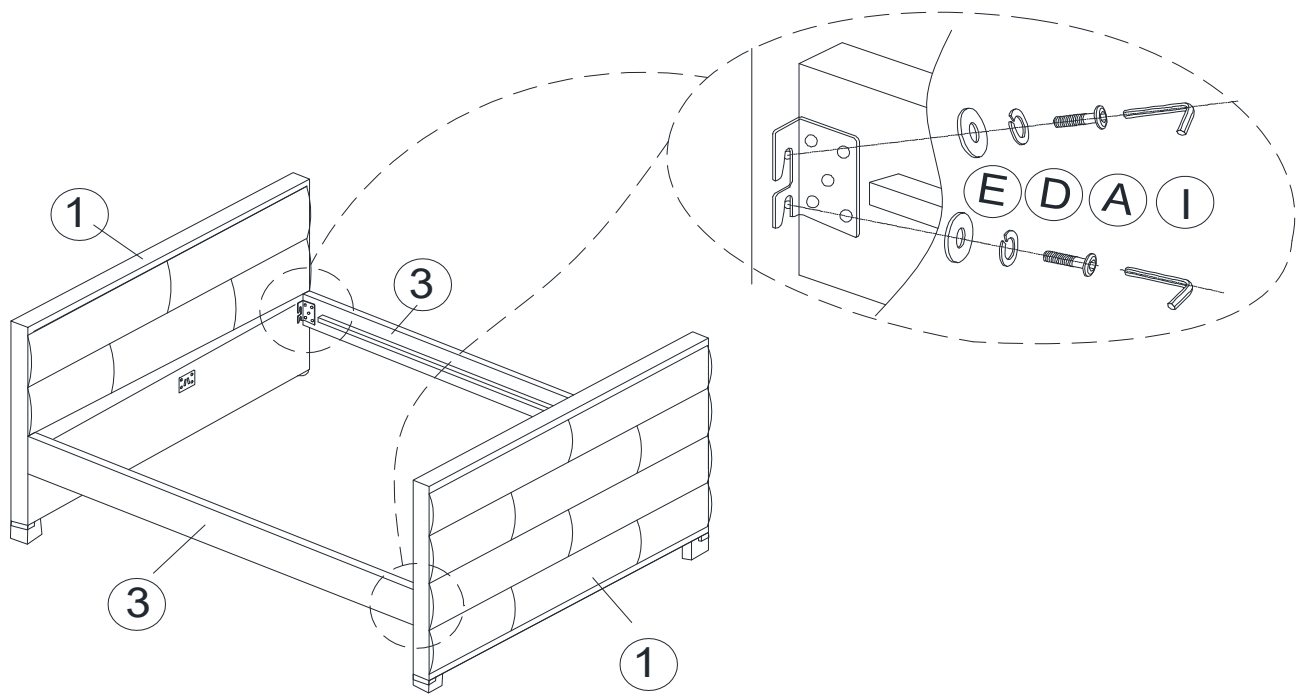
**Attention:**

\*\*\*Some number parts listed on the instruction sheet may not be in parts bag as they may already be assembled. Carefully check parts and parking materials prior to ordering replacements.

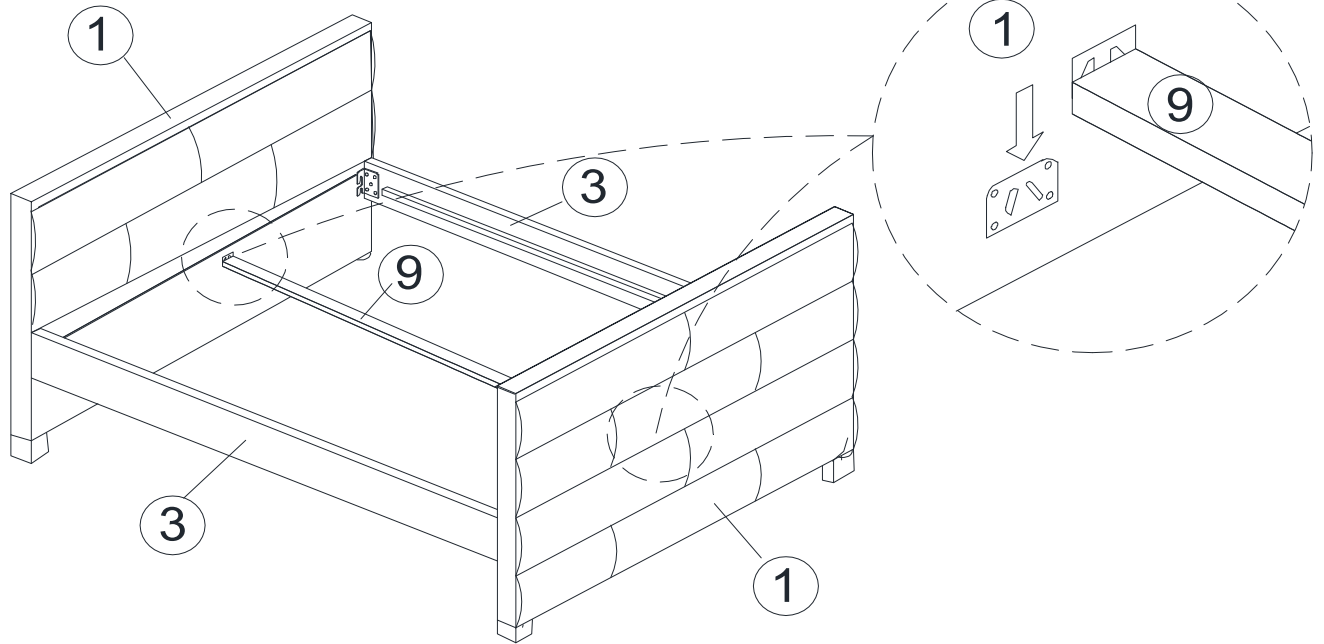
# STEP 1



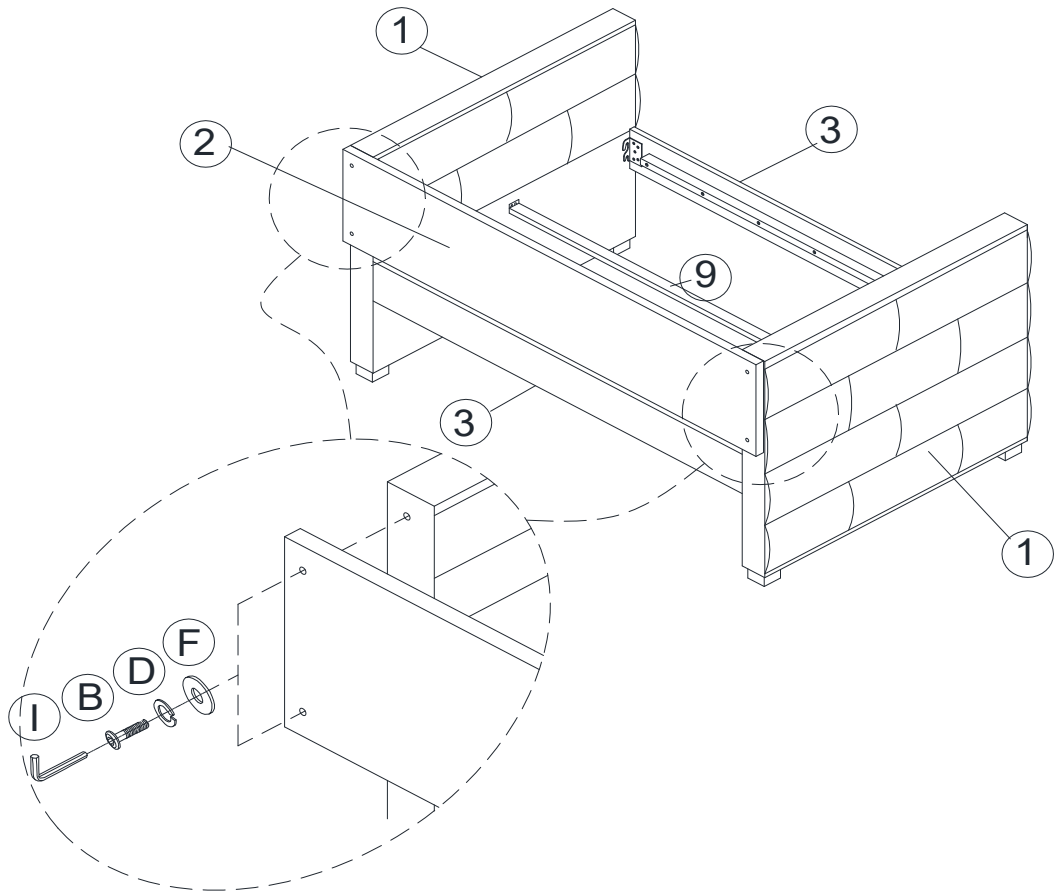
# STEP 2



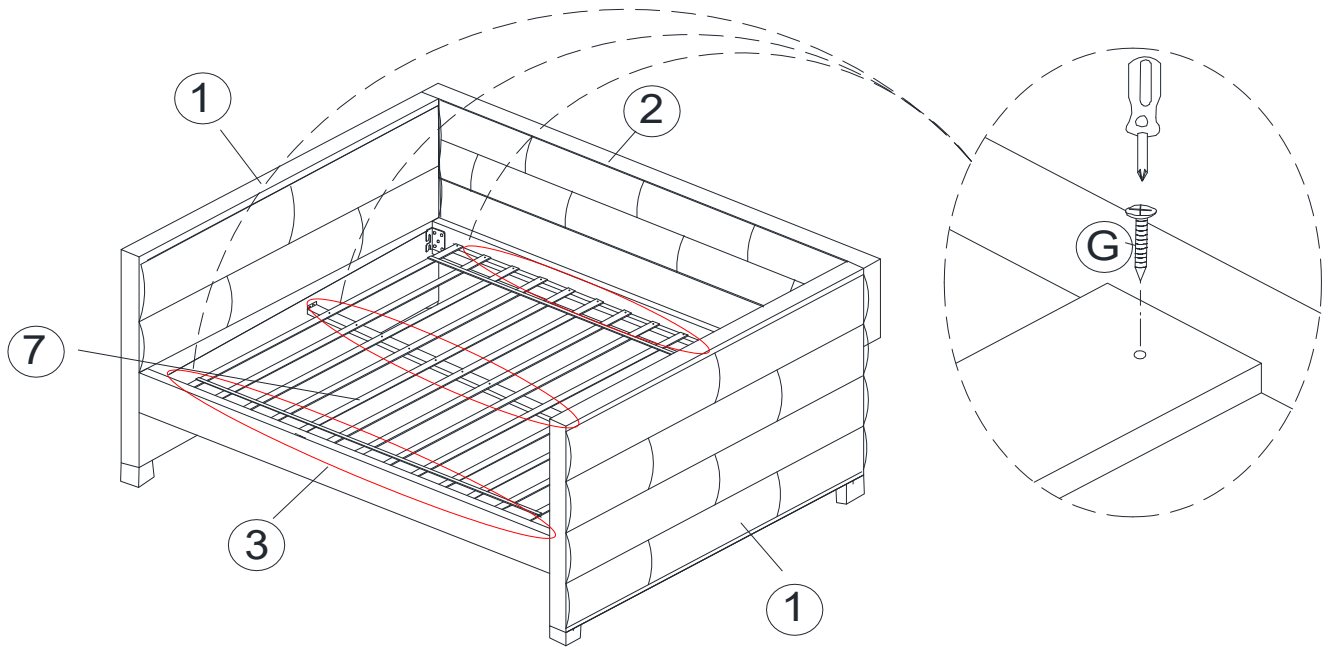
### STEP 3



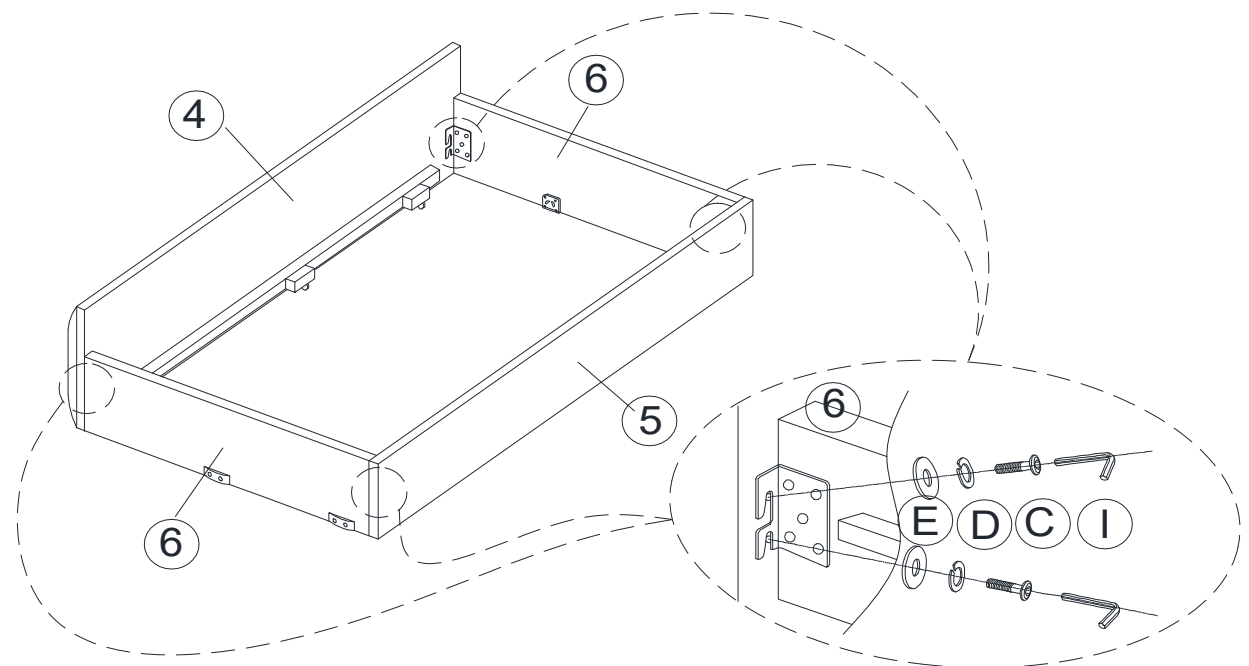
### STEP 4



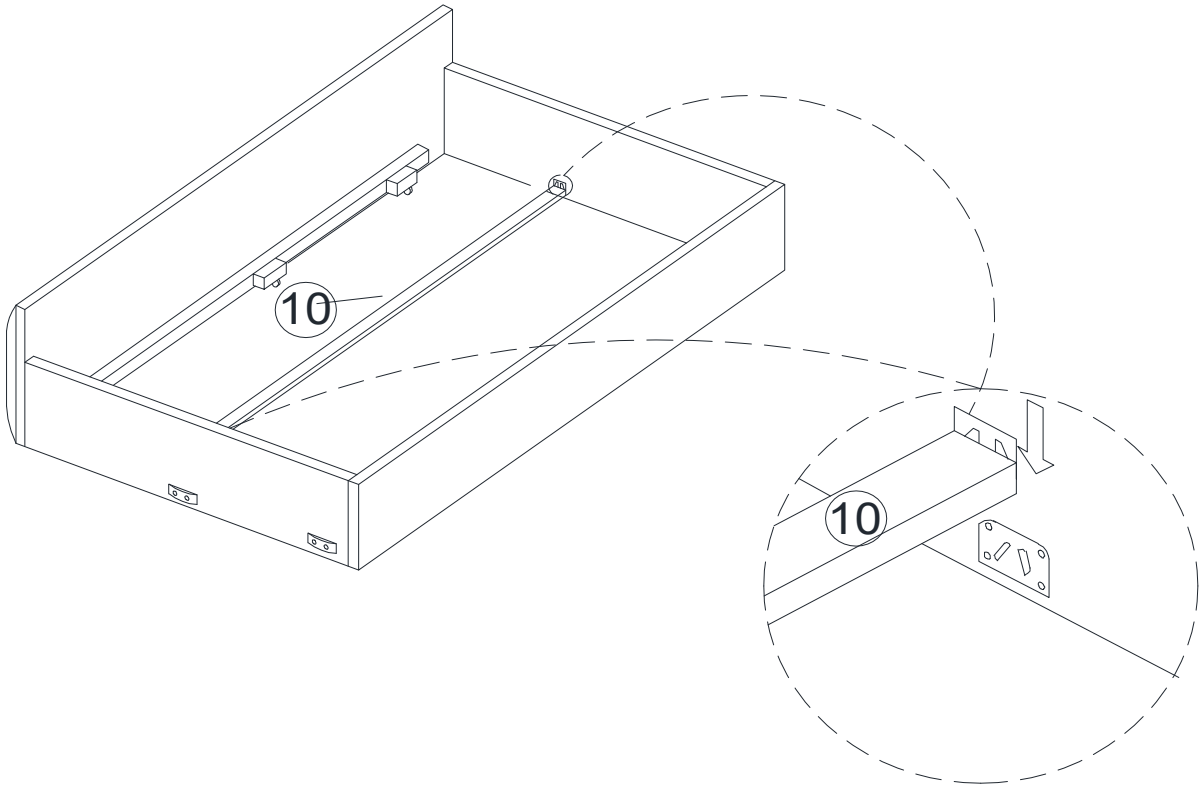
## STEP 5



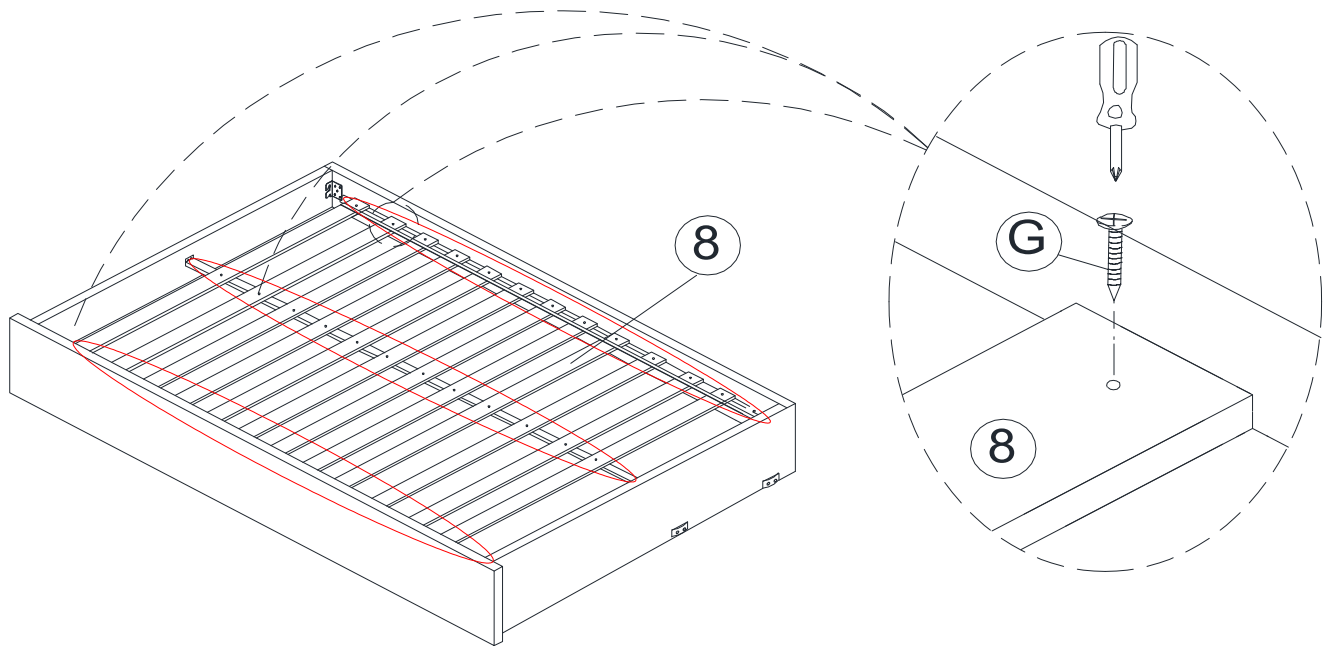
## STEP 6



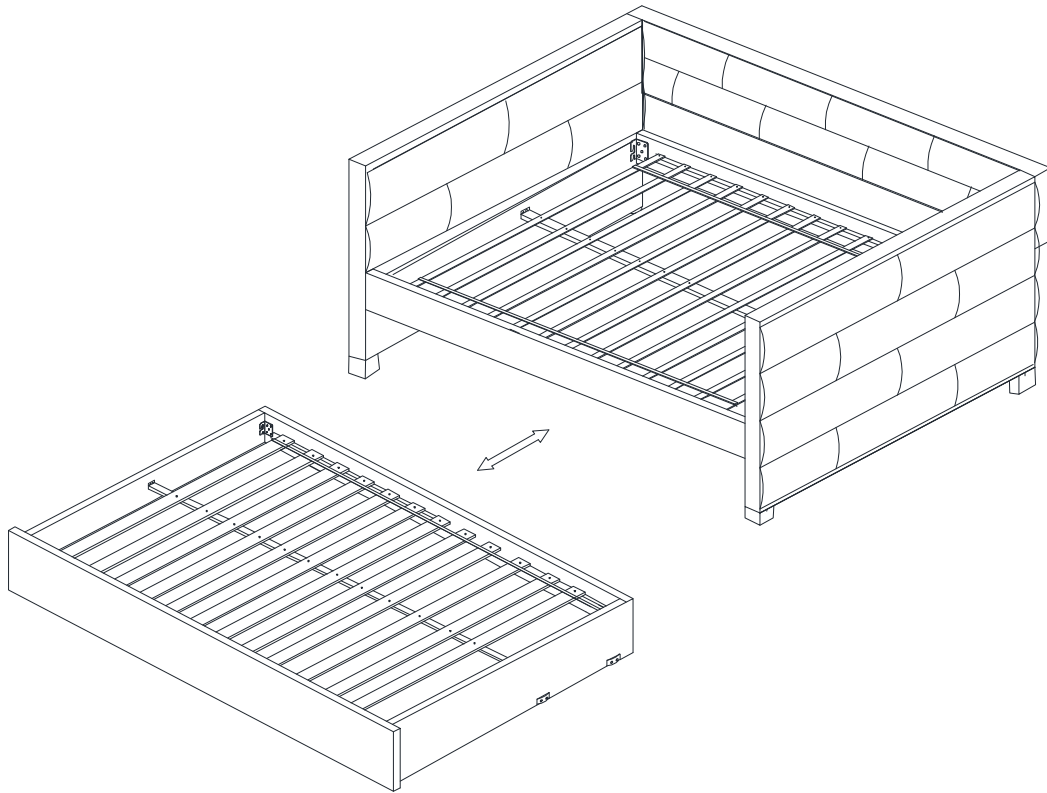
# STEP 7



# STEP 8



## STEP 9



## STEP 10

