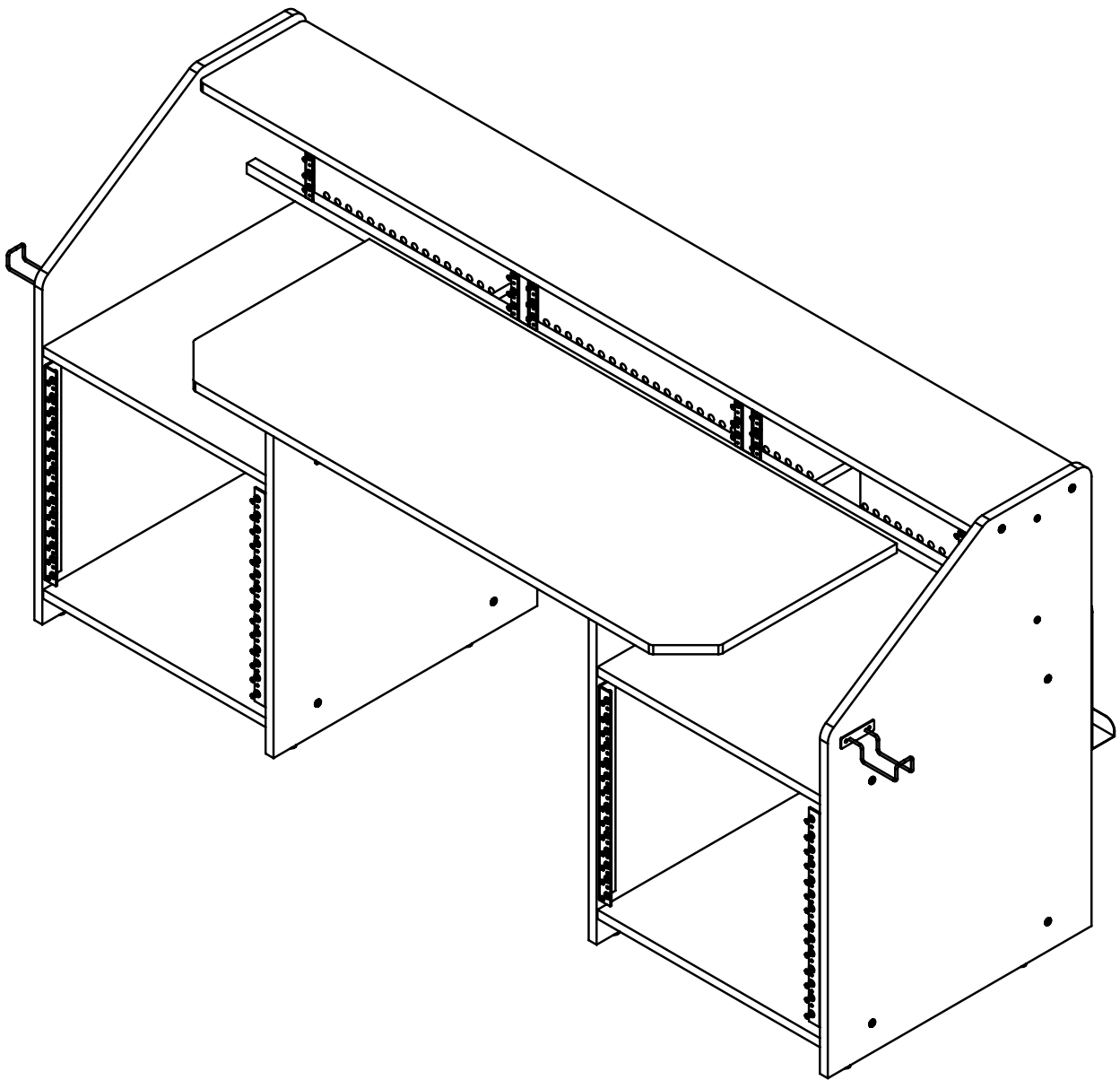


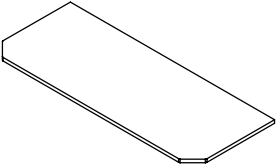
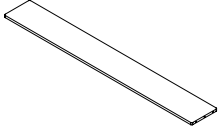
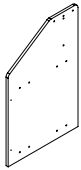
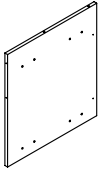
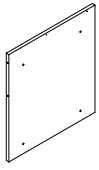
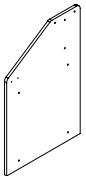
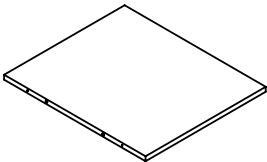
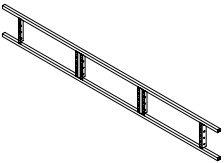
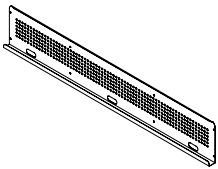
ASSEMBLY INSTRUCTION FOR ACME FURNITURE

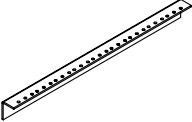
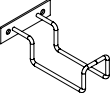
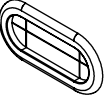
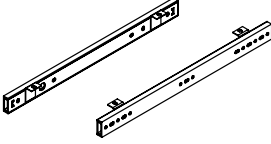
MODEL#OF00993/OF00994

Thank you for purchasing the quality product. Be sure to check all packing material carefully for small parts which may have come loose inside the carton during shipment. Separate, identify and count all parts and metal hardware. Compare with all parts list to be sure all parts are present. If any part(s) are missing or damaged, please contact your local furniture dealer. For efficient and speedy service, please indicate the model number and code letter of part(s) needed.

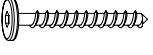


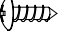
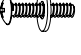



** Do not fully tighten screws until fully assembled **

COMPONENT PARTS		
DESCRIPTION	PART NAME	QTY(PCS)
①	DESKTOP 	1
②	TOP SHELF 	1
③	OUTSIDE PANEL-L 	1
④	INSIDE PANEL-L 	1
⑤	INSIDE PANEL-R 	1
⑥	OUTSIDE PANEL-R 	1
⑦	SHELF 	4
⑧	UPPER FRAME 	1
⑨	REAR PANEL 	1

⑩	BRACKET		4
⑪	HEADSET HOLDER		2
⑫	CORD CLIP		3
⑬	SLIDER SET		1

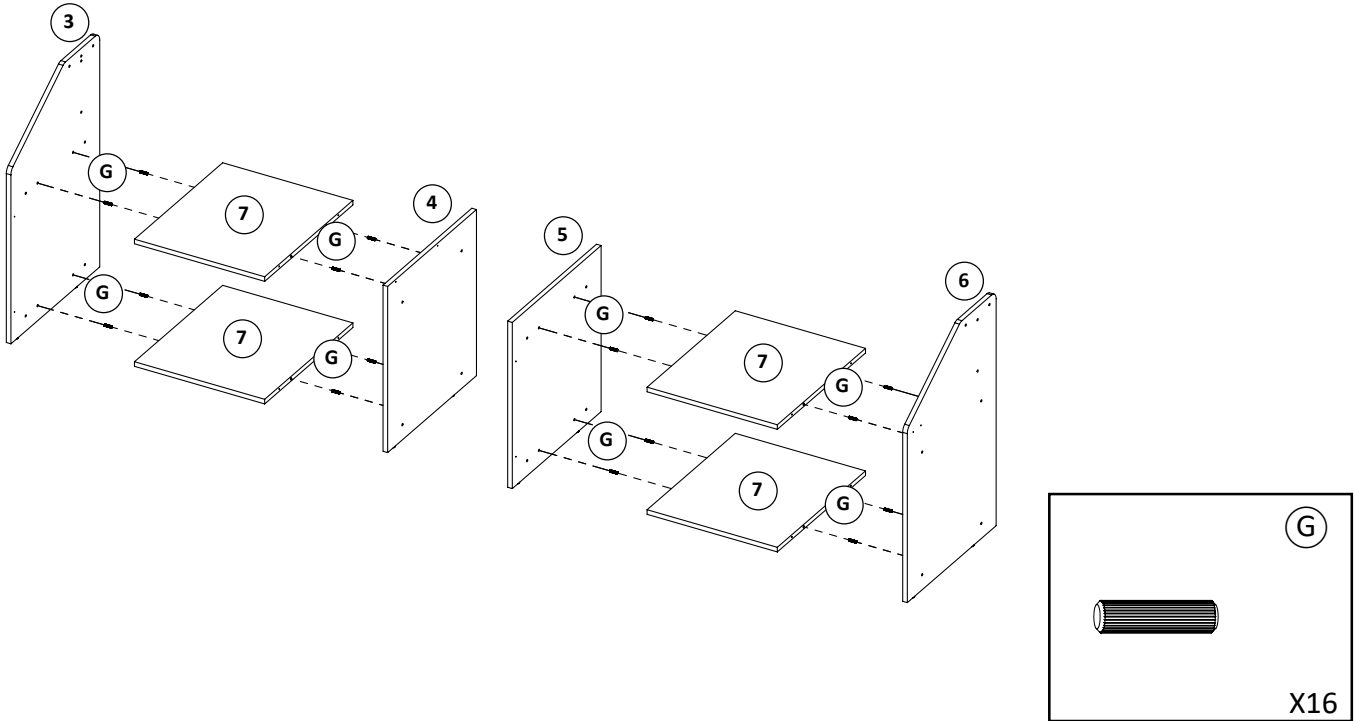
HARDWARE REQUIRED

Ⓐ		ALLEN SCREW	M5X50MM	20	PCS
Ⓑ		ALLEN SCREW	M5X40MM	8	PCS
Ⓒ		ALLEN BOLT	M6X38MM	4	PCS
Ⓓ		PHILLIPS SCREW	M4X15MM	20	PCS
Ⓔ		PHILLIPS SCREW	M4X12MM	8	PCS
Ⓕ		PHILLIPS BOLT&WASHER	M5X19MM	100	PCS
Ⓖ		WOODEN PEG		18	PCS
Ⓗ		ALLEN WRENCH		1	PCS

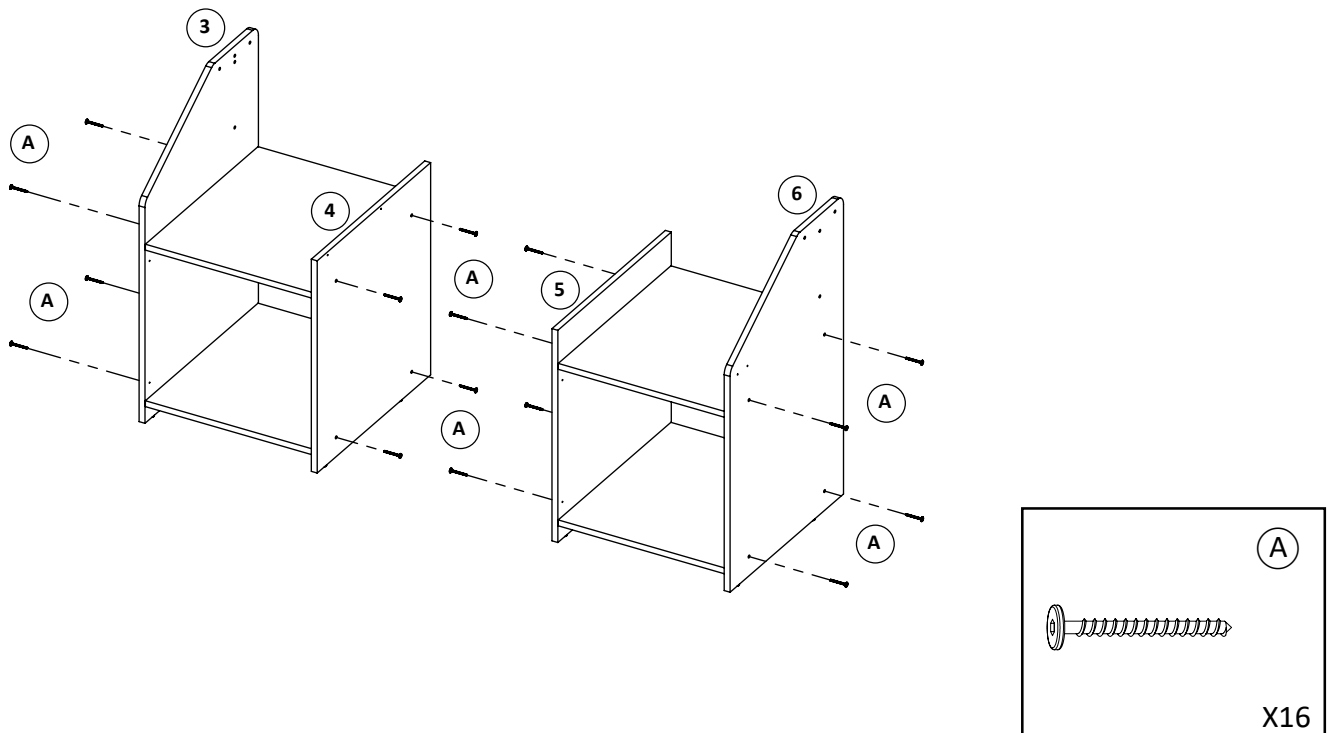
Attention

***Some number parts listed on the instruction sheet may not be in parts bag as they may already be assembled. Carefully check parts and packing materials prior to ordering replacements.

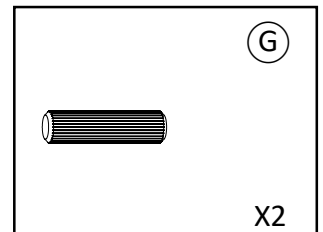
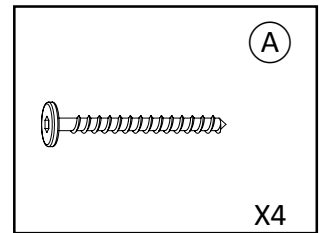
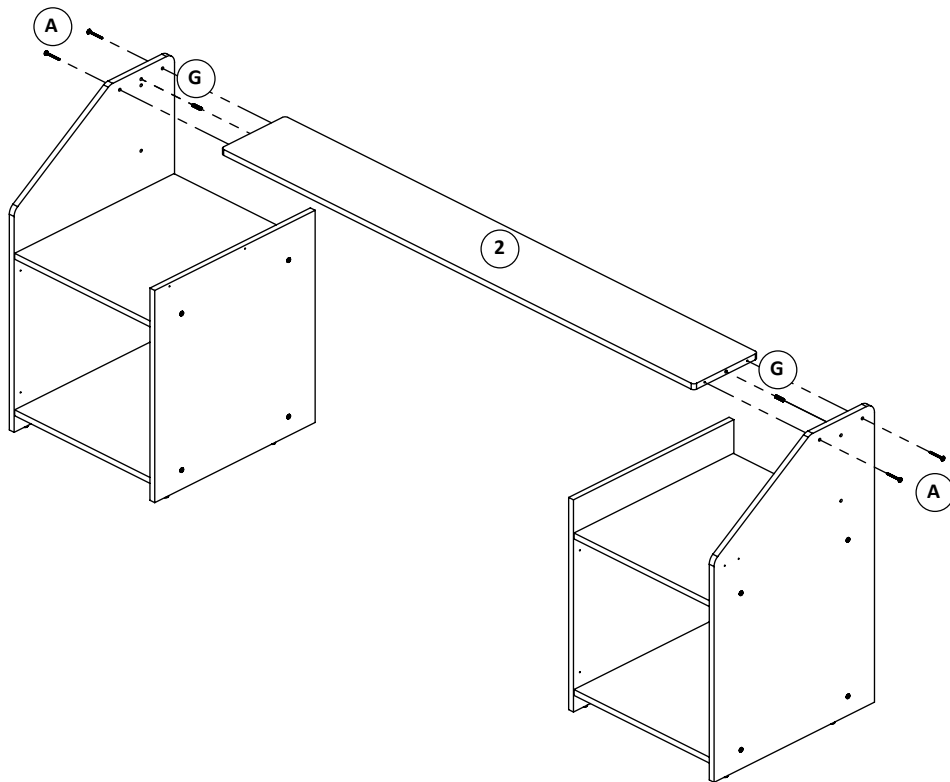
Step1



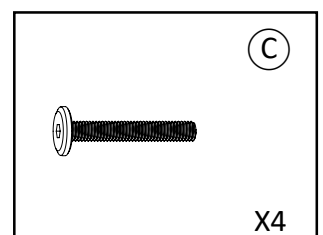
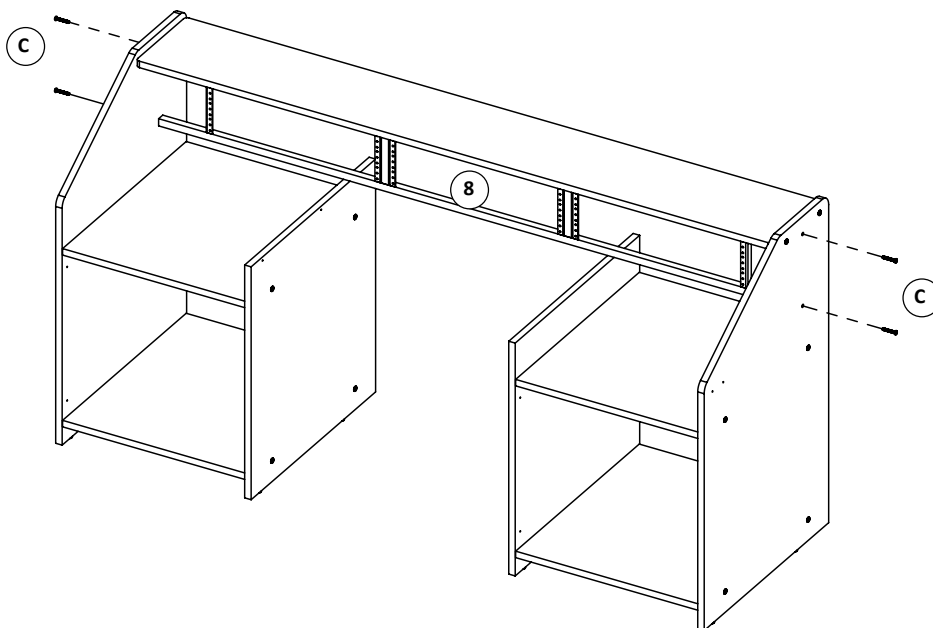
Step2



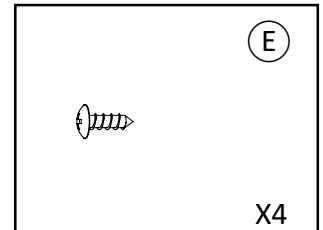
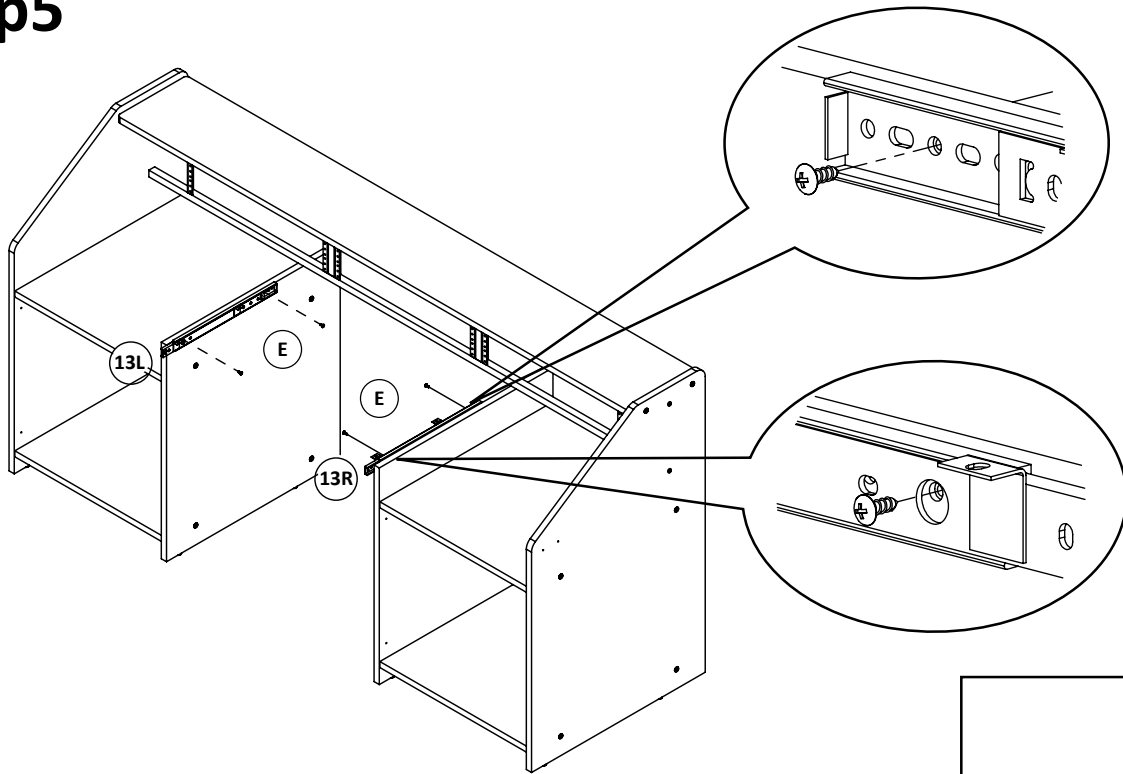
Step3



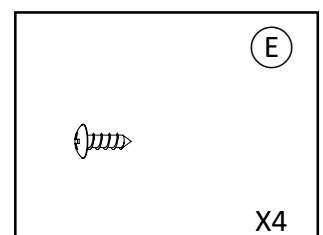
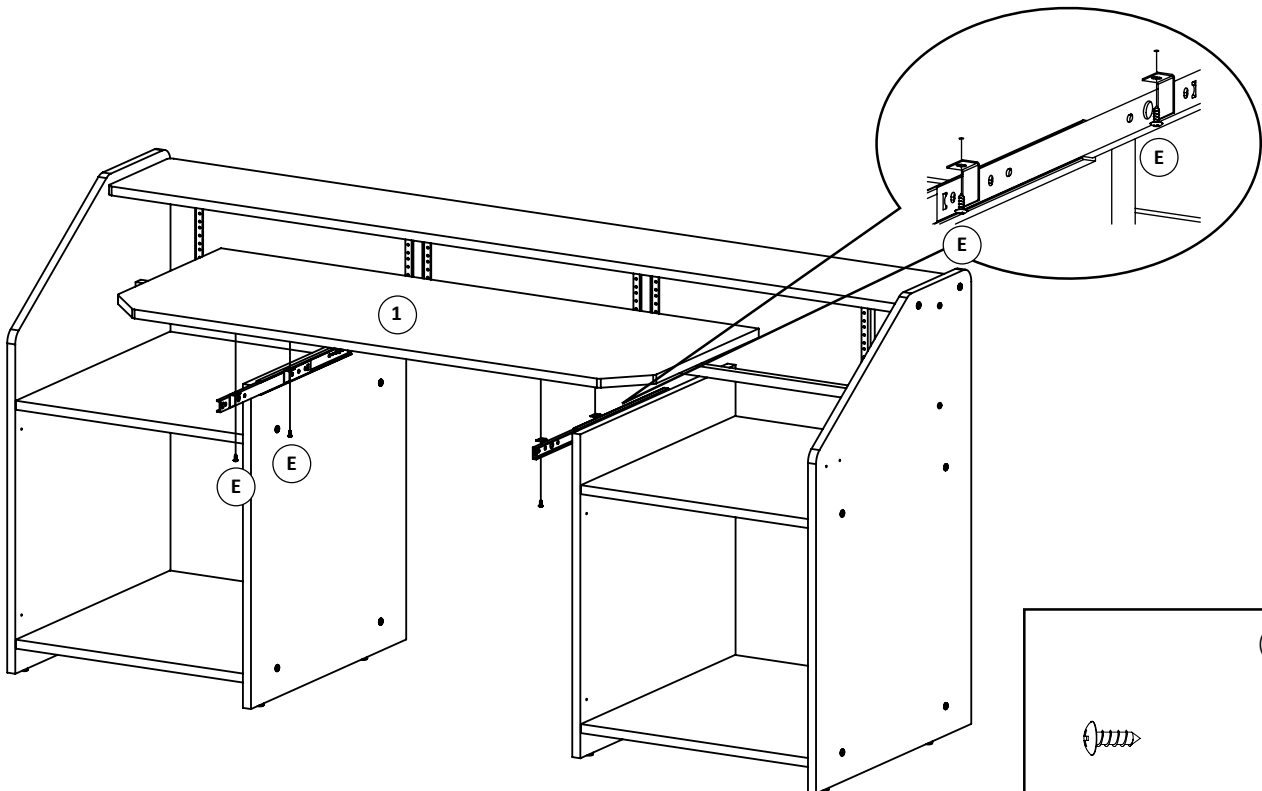
Step4



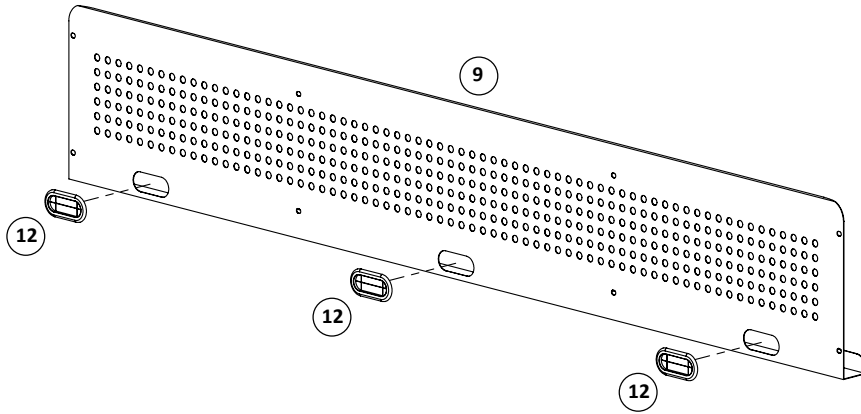
Step 5



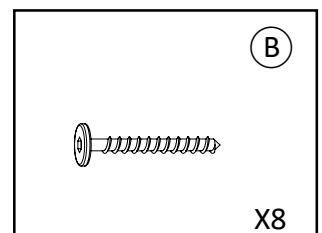
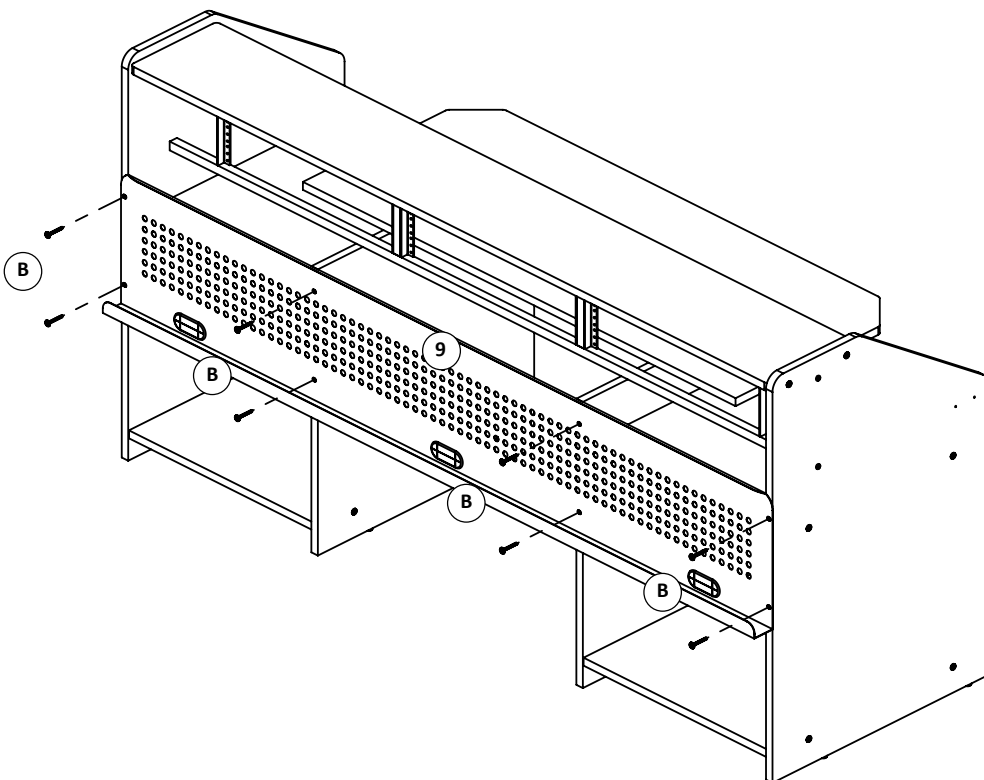
Step 6



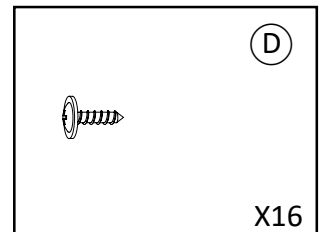
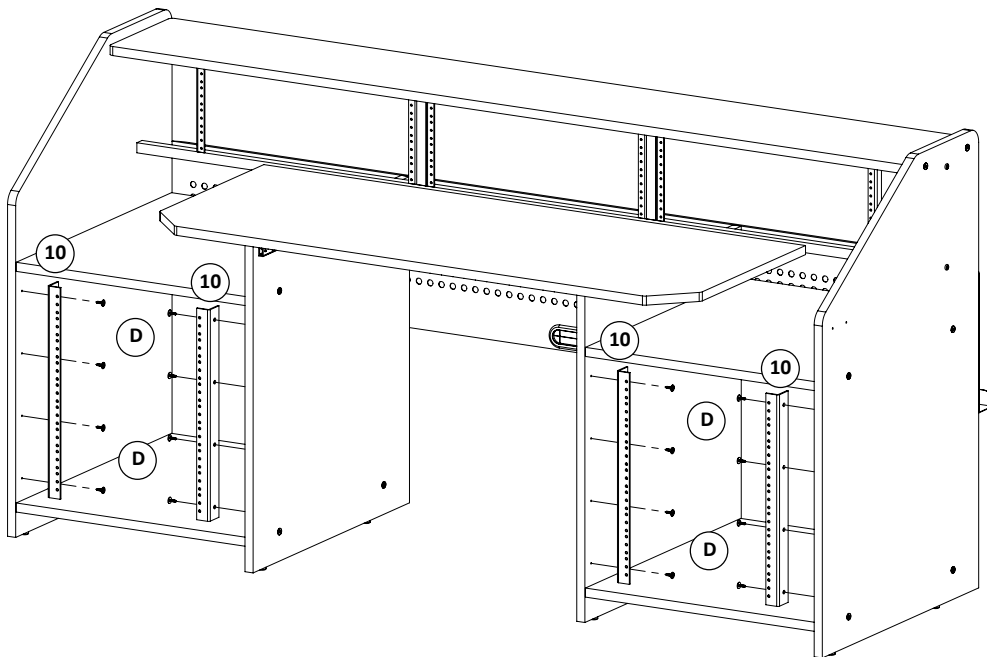
Step 7



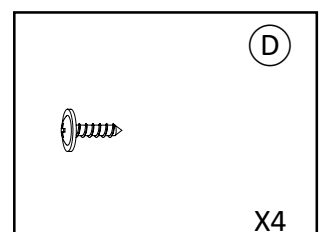
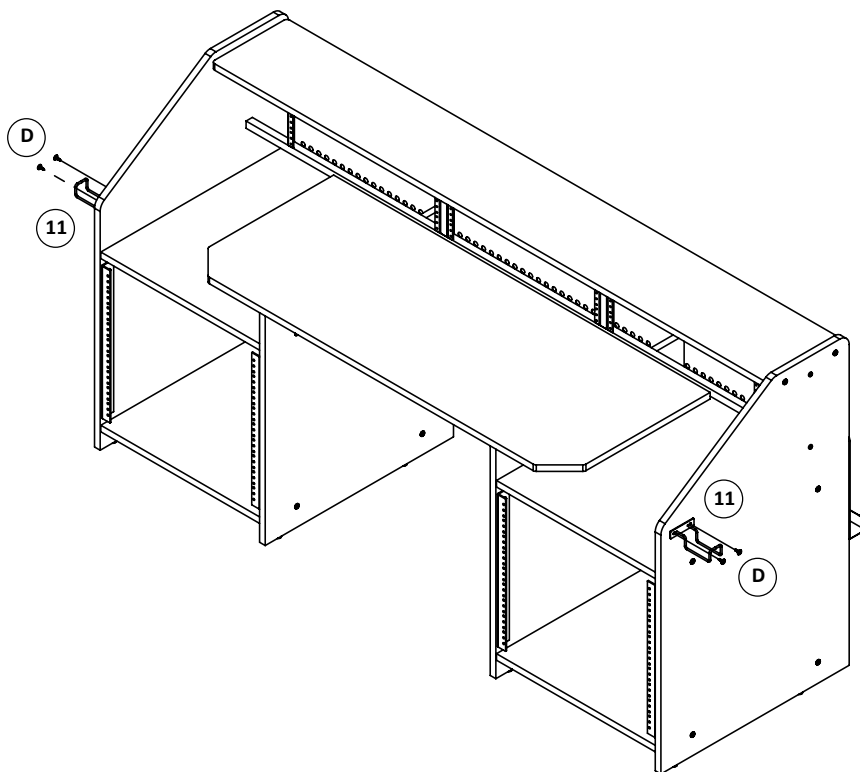
Step 8



Step9



Step10



Step11

