


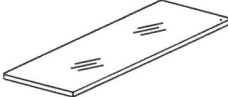
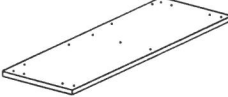
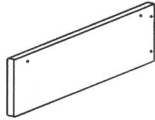
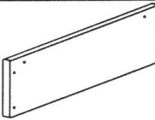
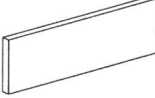
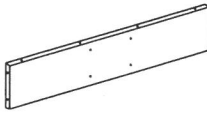
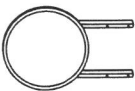



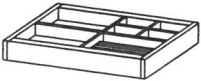
# ASSEMBLY INSTRUCTION FOR ACME FURNITURE

## MODEL#AC00669

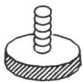


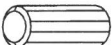
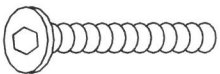

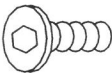
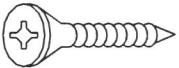
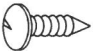

Thank you for purchasing this quality product. Be sure to check all packing material carefully for small parts which may have come loose inside the carton during shipment. Separate, identify and count all parts and metal hardware. Compare with parts list to be sure all parts are present. If any part(s) are missing or damaged, please contact your local furniture dealer. For efficient and speedy service, please indicate the model number and code letter of part(s) needed.

**\*\*\*Do not fully tighten screws until fully assembled\*\*\***

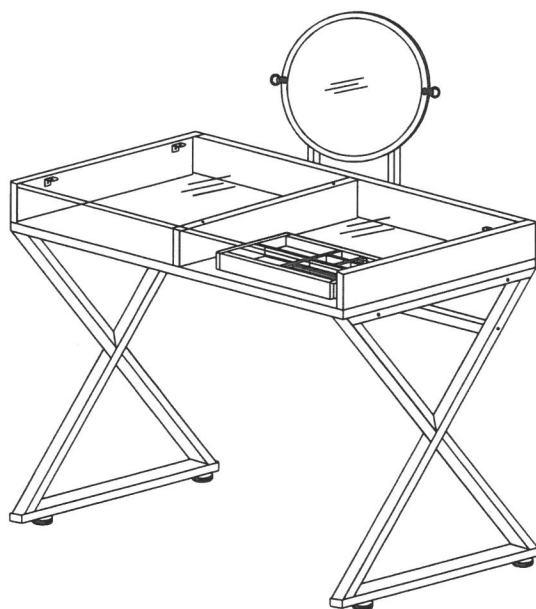
COMPONENT PARTS		
DESCRIPTION	PART NAME	Q'TY (PCS)
①	METAL SIDE PANEL 	2
②	SUPPORT 	2
③	STRETCHER 	1
④	TOP GLASS 	1
⑤	BOTTOM BOARD 	1
⑥	LEFT SIDE PANEL 	1
⑦	RIGHT SIDE PANEL 	1
⑧	MIDDLE PANEL 	1
⑨	BACK PANEL 	1
⑩	MIRROR FRAME 	1

⑪	MIRROR		1
⑫	JEWELRY BOX		1

## HARDWARE REQUIRED

(A)		LEVELER	M8 x 15mm	4 PCS
(B)		CAM BOLT	Ø7x 39mm	3 PCS
(C)		CAM LOCK	Ø15x12mm	3 PCS
(D)		WOOD DOWEL	30mm	12 PCS
(E)		BOLT	1/4" x 63mm	8 PCS
(F)		BOLT	1/4" x 30mm	4 PCS
(G)		BOLT	1/4" x 25mm	4 PCS
(H)		SCREW	38mm	6 PCS
(I)		SCREW	10mm	4 PCS
(J)			Ø9x13mm	2 PCS

Ⓚ		L IRON SHEETS		4 PCS
Ⓛ		GLASS TIP	12mm	6 PCS
Ⓜ		MIRROR ROTARY KNOB	55mm	2 PCS
Ⓝ		MIRROR GASKET	17mm	2 PCS
Ⓞ		BOLT COVER	11mm	12 PCS
Ⓟ		STICKER		3 PCS
Ⓠ		GLUE		1 PC
Ⓡ		ALLEN KEY	1/4"	1 PC

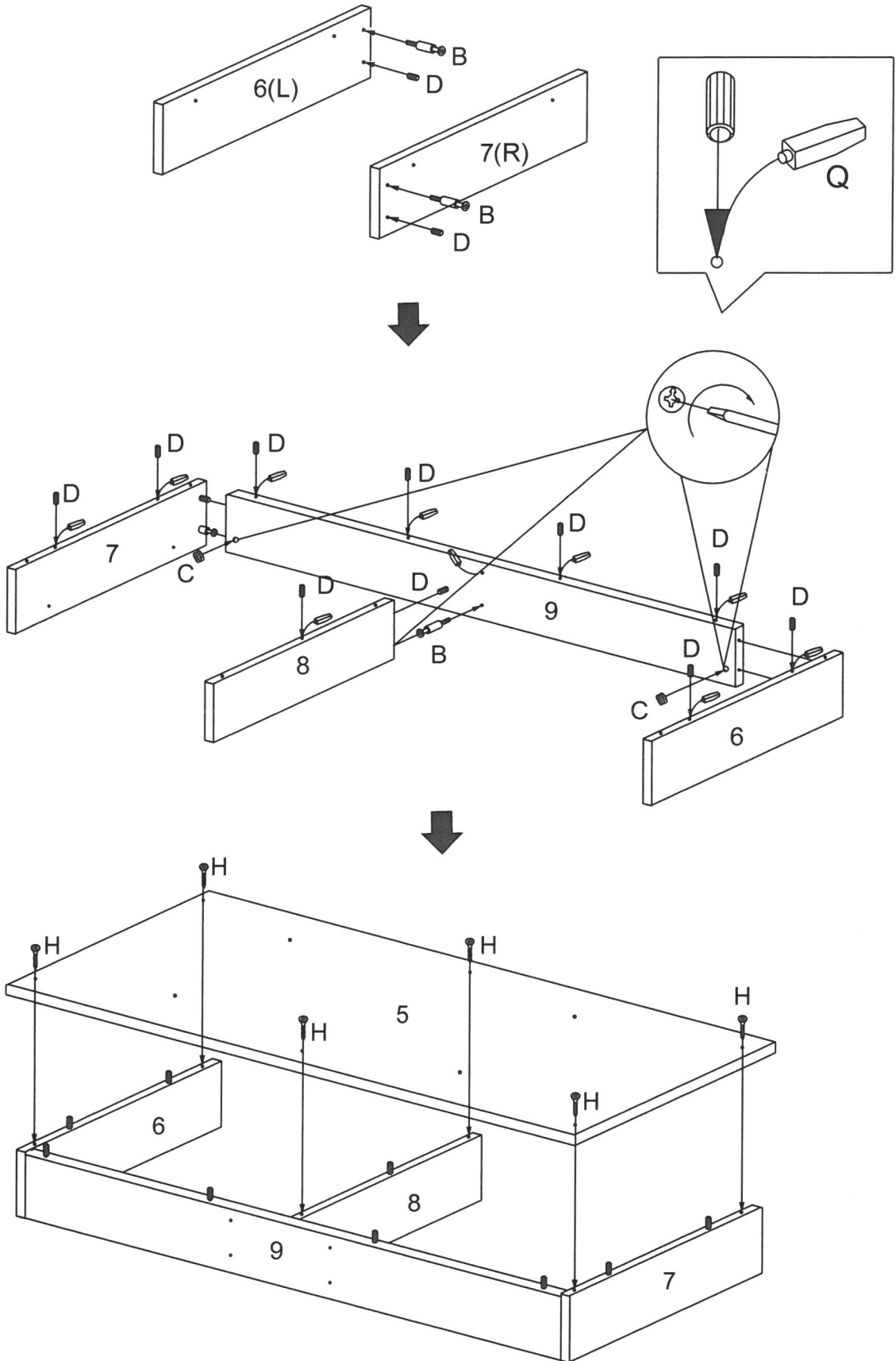


**Attention**

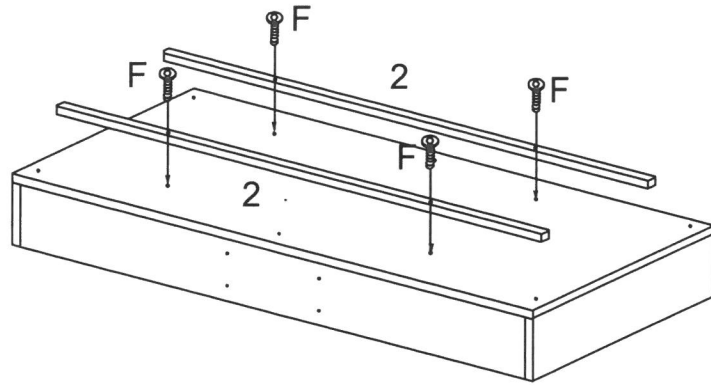
\*\*\*Some number parts listed on the instruction sheet may not be in parts bag as they may be assembled.  
Carefully check parts and packing materials prior to ordering replacements.

# How to assemble:

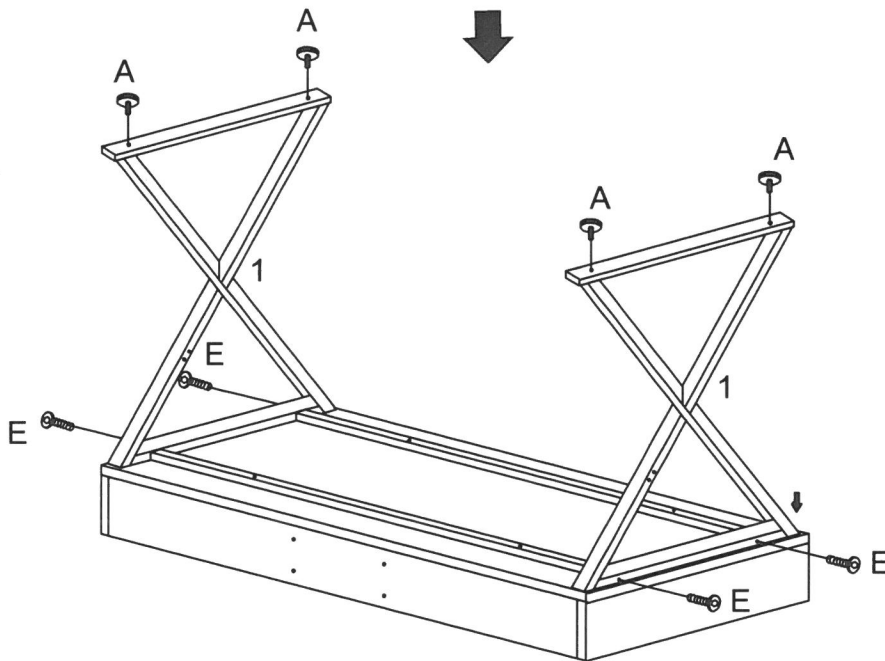
## STEP 1



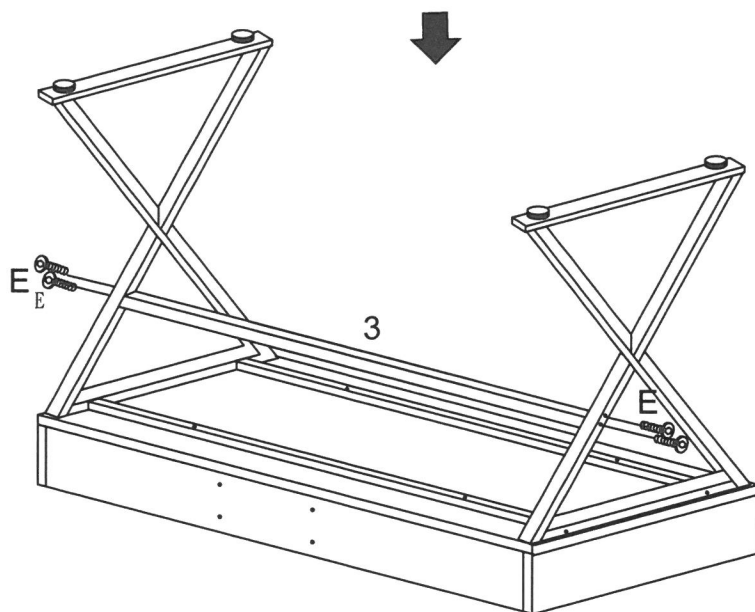
**STEP 2**



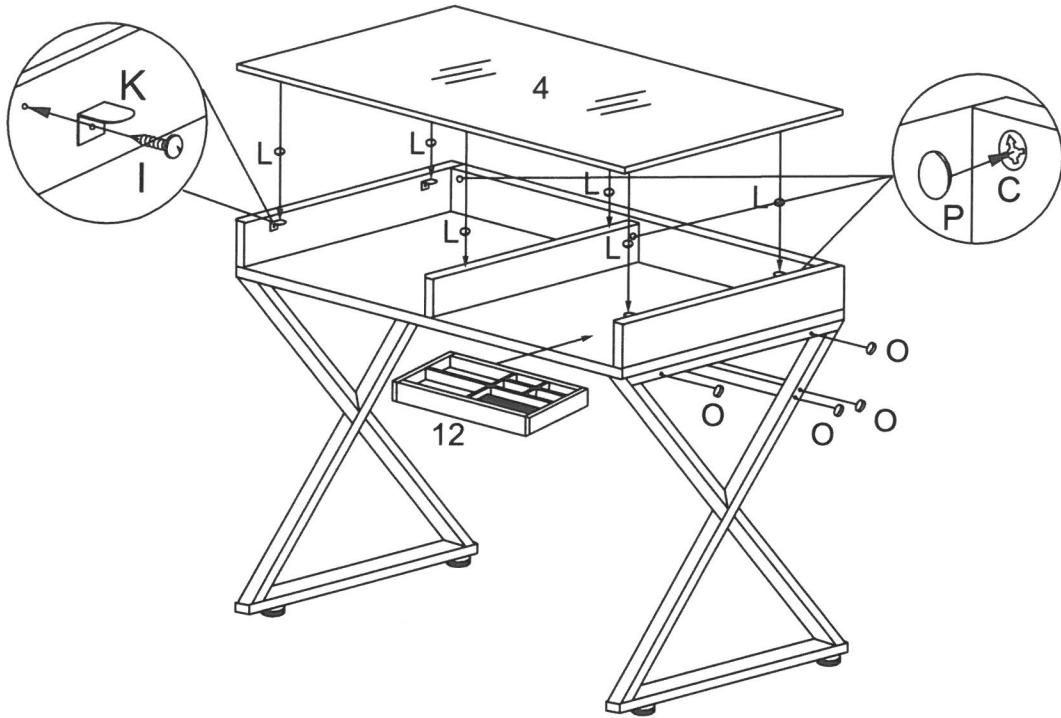
**STEP 3**



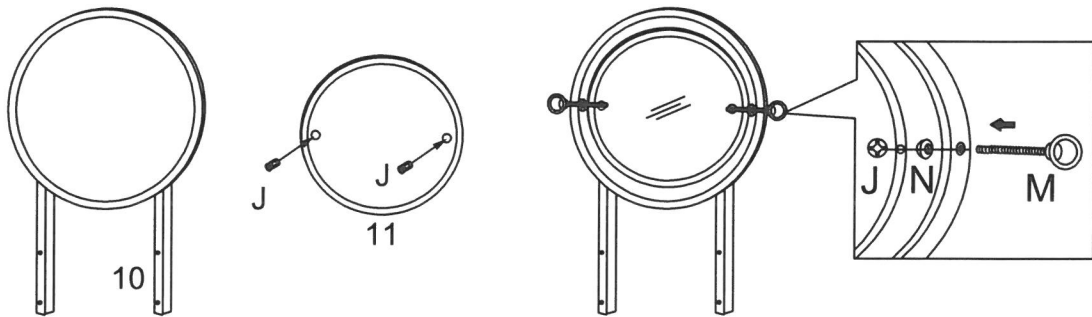
**STEP 4**



**STEP 5**



**STEP 6**



**STEP 7**

