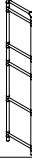
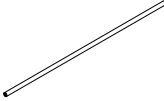

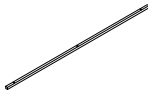
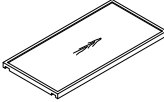
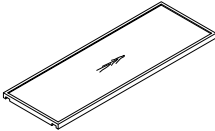



ASSEMBLY INSTRUCTION FOR ACME FURNITURE









MODEL# AC00758 5 tier bookshelf

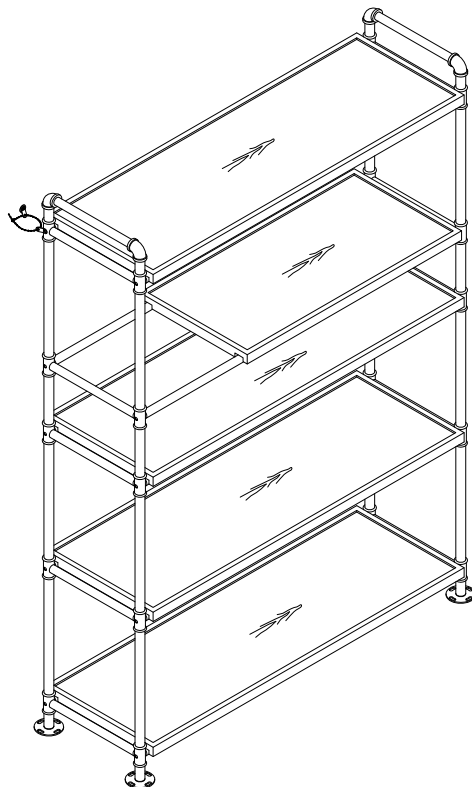
Thank you for purchasing this quality product. Be sure to check all packing materials carefully for small parts which may have come loose inside the carton during shipment. Separate, identify, and count all parts and metal hardware. Compare with parts list to be sure all parts are present. If any part(s) are missing or damaged, please contact your local furniture dealer. For efficient and speedy service, please indicate the model number and code letter of the part(s) needed.

*** Do not fully tighten screws until fully assembled ***

COMPONENT PARTS		
DECERPTION	PART NAME	Q'TY(PCS)
①	Side frame 	2pcs
②	Side tube 	10pcs
③	Short tube 	2pcs
④	Long tube 	8pcs
⑤	Short board 	1pc
⑥	Long board 	4pcs
⑦	Foot 	4pcs

HARDWARE REQUIRED:

(A) 	Bolt 1/4"x3/4" - 30pcs
(B) 	Bolt 1/4"x2" - 20pcs
(C) 	Allen Wrench M4 - 1pc
(D) 	Floor Protector - 4pcs
(E) 	Screw M4 - 1pc
(F) 	Metal Plate - 2pcs
(G) 	Anchor - 1pc
(H) 	Girding - 1pc



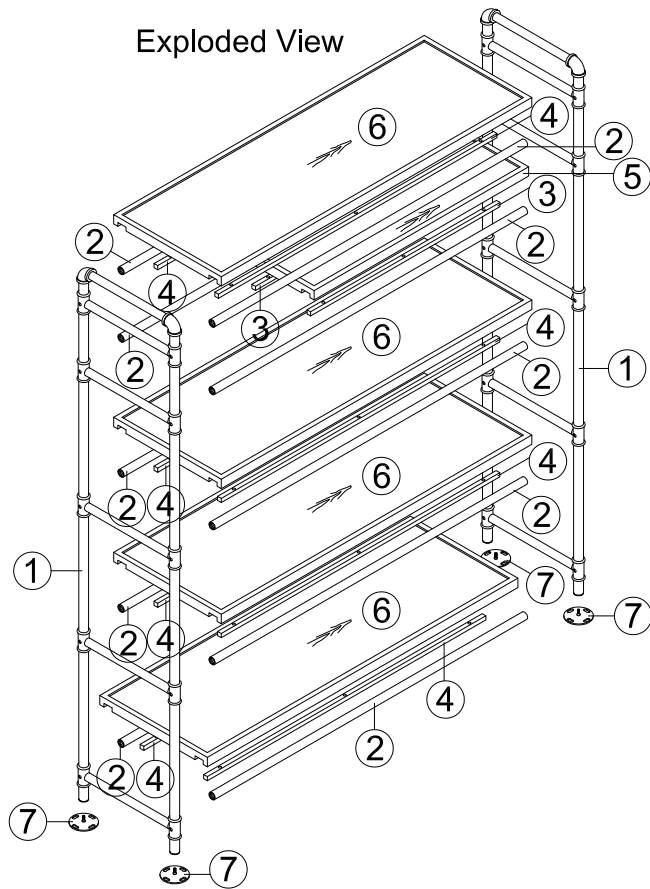
Attention:

***Mattresses not included.

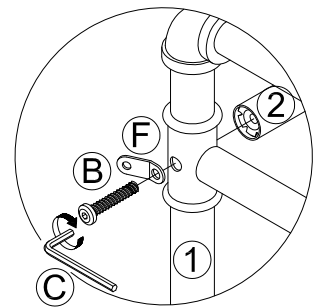
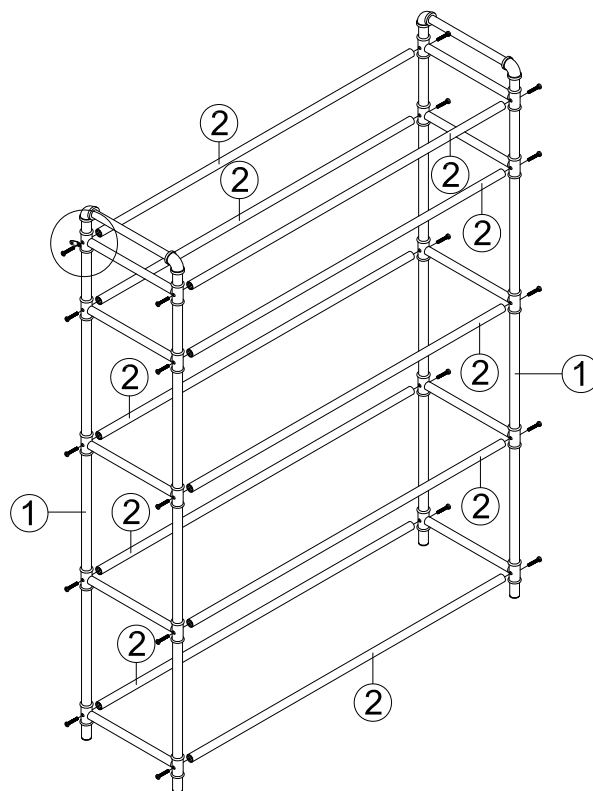
***Some number parts listed on the instruction sheet may not be in parts bag as they may already be assemble.
Carefully check parts and packing materials prior to ordering replacements.



How to Assemble:

STEP 1.



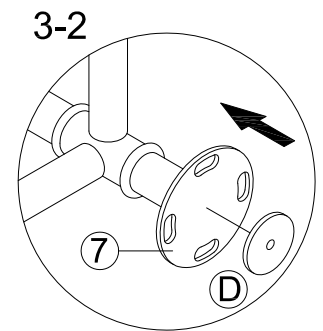
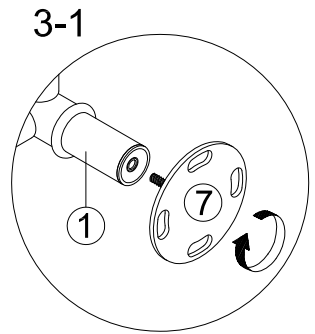
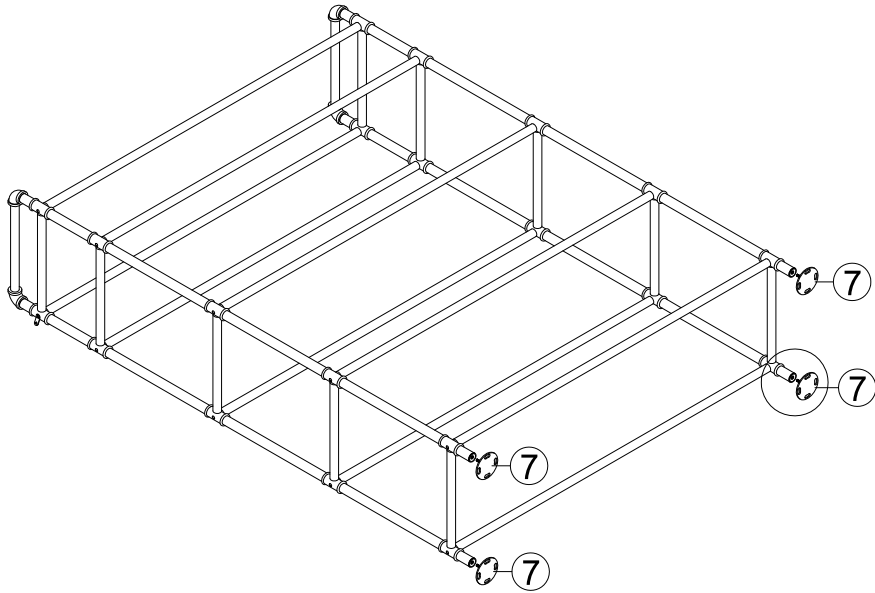
STEP 2.



(B)		20pcs
(F)		1pc

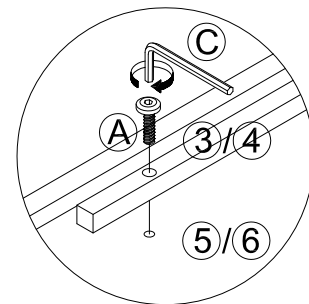
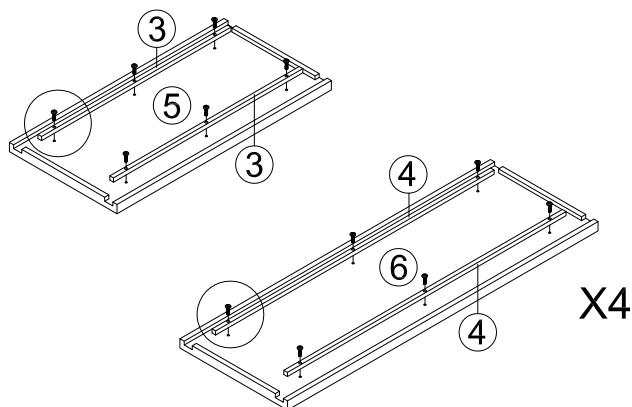
How to Assemble:

STEP 3.



D  4pcs

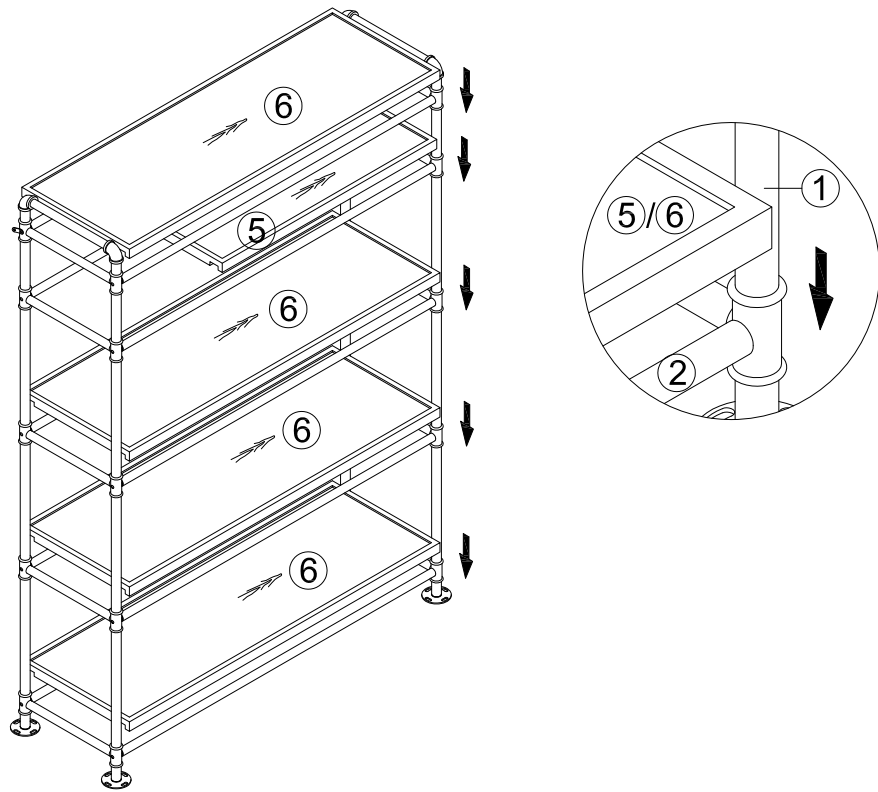
STEP 4.



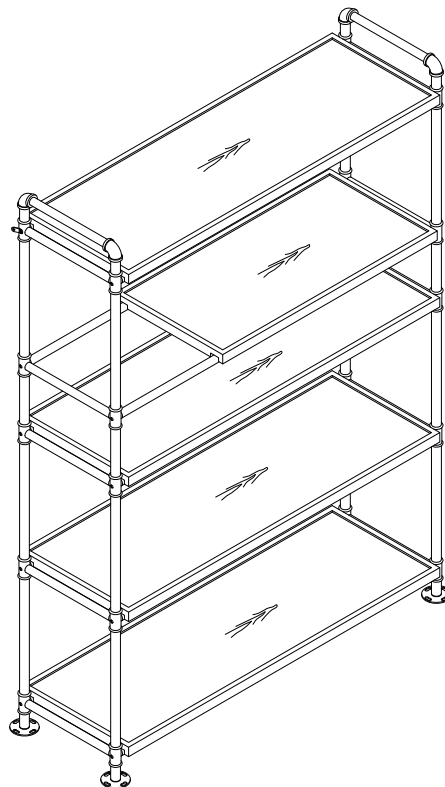
A  30pcs

How to Assemble:

STEP 5.

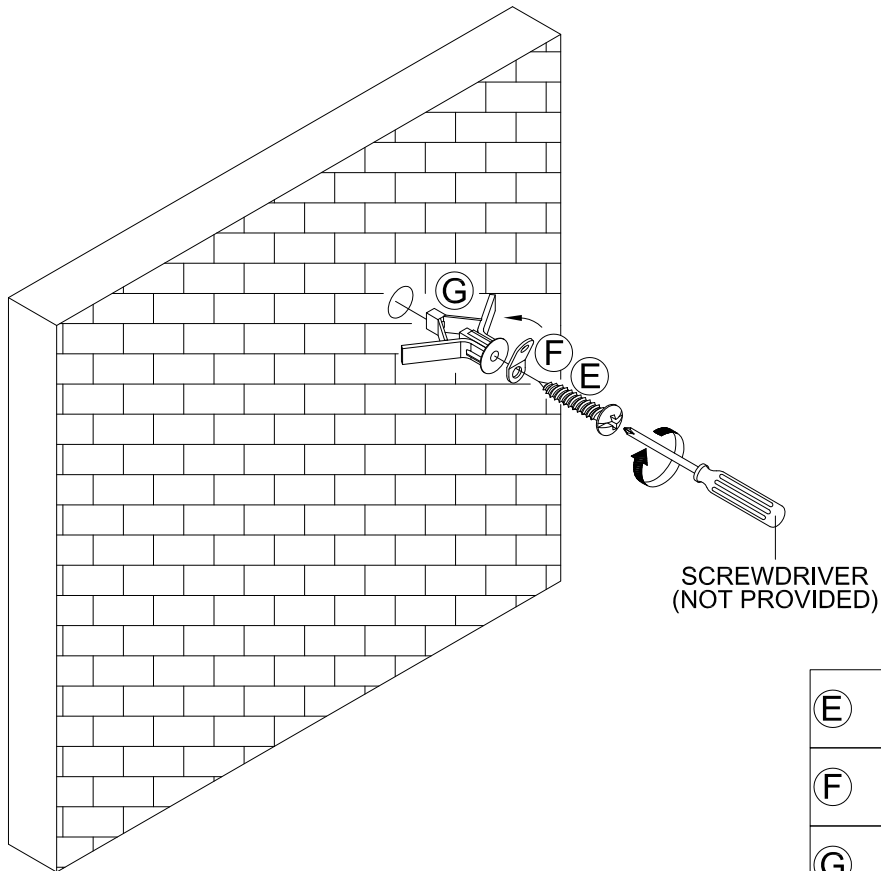


STEP 6.



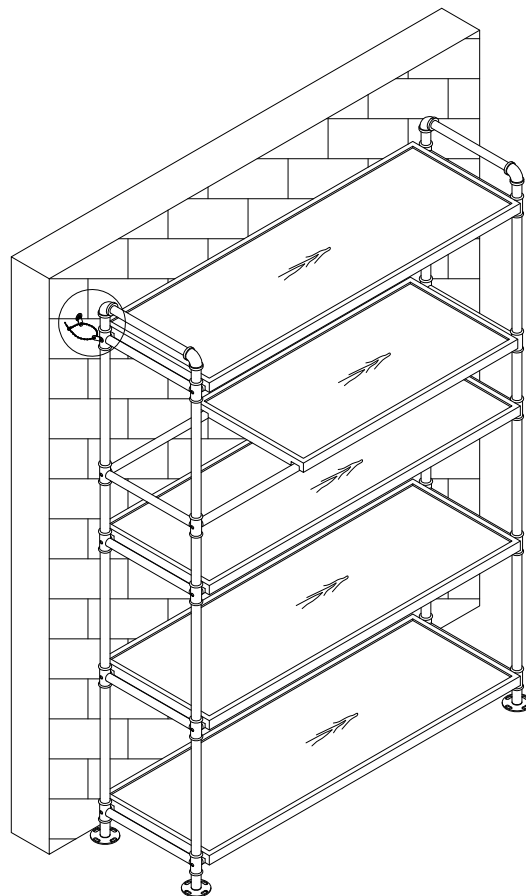
How to Assemble:

STEP 7.

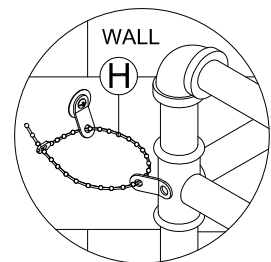


(E)		1pc
(F)		1pc
(G)		1pc

STEP 8.



To Prevent Tip over
Product Must Be
Attached To Wall



(H)		1pc
-----	--	-----