









ASSEMBLY INSTRUCTION FOR ACME FURNITURE




52117 CHAIR

Thank you for purchasing this quality product. Be sure to check all packing material carefully for small parts which may come loose inside the carton during shipment. Identify and count all parts and metal hardware. Compare with the part list to be sure all parts are present, If any part(s) are missing or damage, please contact your local furniture dealer. For efficient and speedy service, please indicate the model number and code letter of part(s) needed.

****Assemble the product on a flat, soft surface such a carpet or cloth to prevent scratching the product finish. Read all instruction and study the drawing carefully before starting the assembly process.**

***Do not fully tighten screws until fully assembled**

PART LIST			
NO	PART	DECS	QTY
A		LEG	2PCS
B		ARMREST	1PC
C		ARMREST	1PC
D		BASE	1PC
E		BACK	1PC
F		SEAT CUSHION	1PC
G		Pillow	1PC
H		PILLOW	1PC

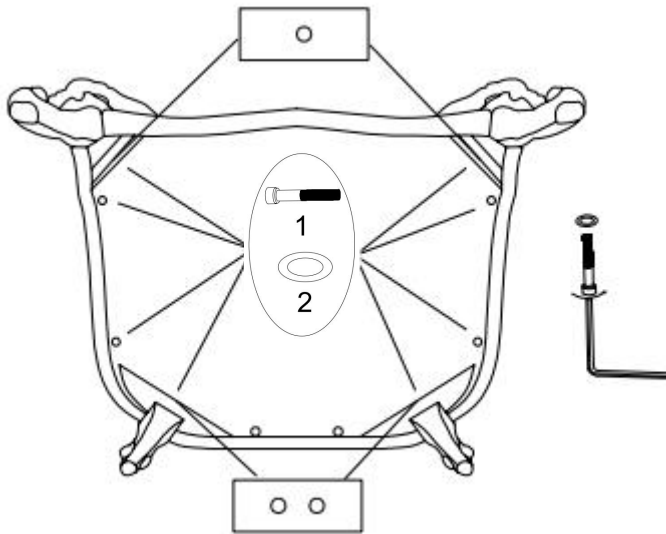
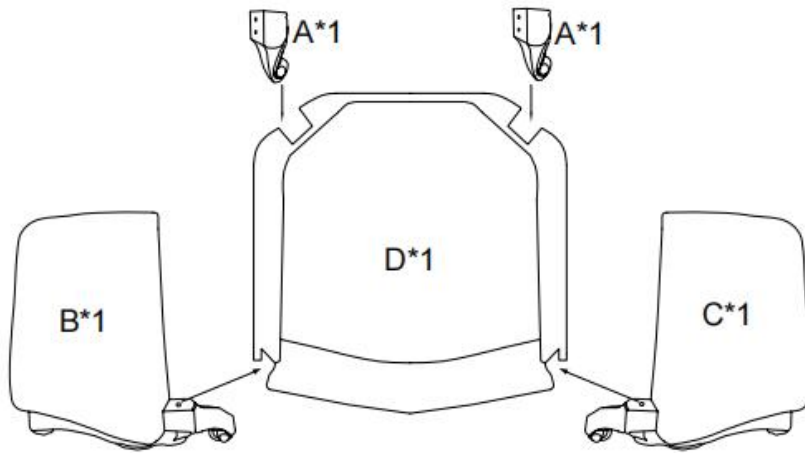
HARDWARE LIST			
NO	HARDWARE	DECS	QTY
1	 5CM*φ0.8	BOLT	12PCS
2	 φ1.8CM	LOCK WASHER	12PCS
3		ALLEN WRENCH	1PC

***Some number parts listed on the instruction sheet may not be in parts bag

as they may be assembled. Carefully check parts and packing materials prior to ordering replacements. ***

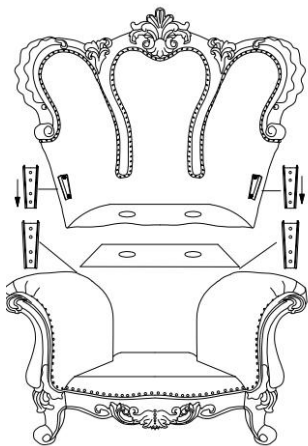
STEP 1

Attach the legs per the diagram



STEP 2

Please hang up the bracket on the backrest into the bracket on the arm.



STEP 3

set up the cushion and pillows



Caution: Over tightening screw or bolts may cause damage.

It is suggested that two people work together for this assembly process.