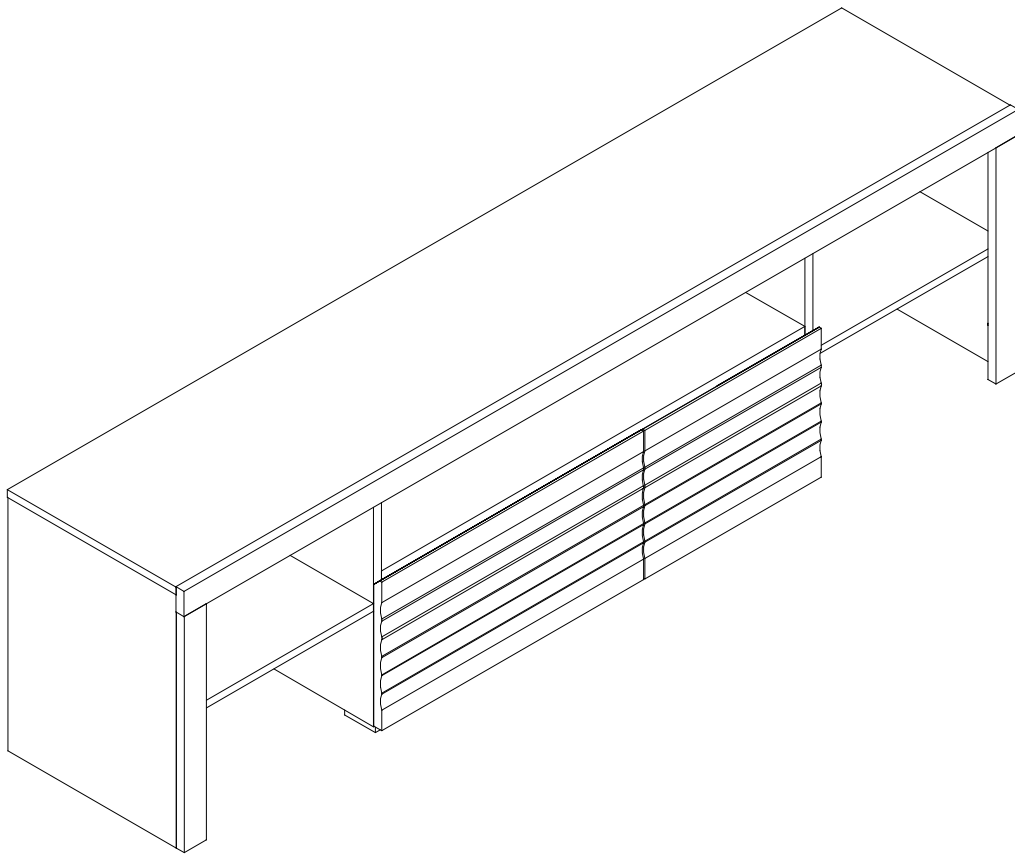


# ASSEMBLY INSTRUCTION FOR ACME FURNITURE

## MODEL#LV00998

Thank you for purchasing the quality product. Be sure to check all packing material carefully for small parts which may have come loose inside the carton during shipment. Separate, identify and count all parts and metal hardware. Compare with all parts list to be sure all parts are present. If any part(s) are missing or damaged, please contact your local furniture dealer. For efficient and speedy service, please indicate the model number and code letter of part(s) needed.

**\*\*\*Do not fully tighten screws until fully assembled\*\*\***

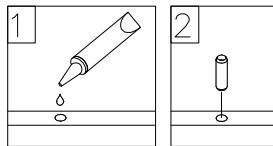


### **Attention:**

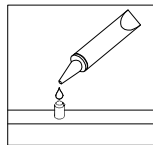
**\*\*\*Some number parts listed on the instruction sheet may not be in parts bag as they may already be assembled. Carefully check parts and packing materials prior to ordering replacements.**

# General Assembly Guidelines

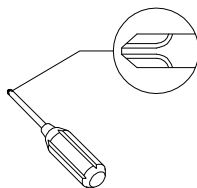
- I. Ensure that all parts and hardware are available before beginning assembly.
- II. Follow each step carefully to ensure the proper assembly of this product.
- III. Two people are recommended for ease in the assembly of this product.
- IV. The three main types of hardware used to assemble this product are: wood dowels, screws and bolts.
- V. The provided glue is to secure wood dowels in place. When first inserting dowels, locate the appropriate hole for the dowel, place a small amount of glue in the hole and insert the dowel. Wipe away excess glue immediately.



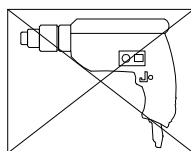
In future assembly steps when dowels are necessary to attach assembly parts together, place a small amount of glue on the end of the dowel before attaching parts together. Wipe away excess glue immediately.



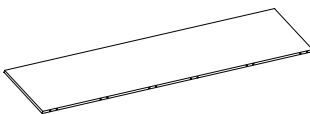
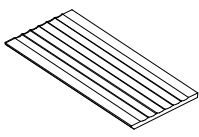
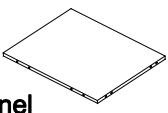
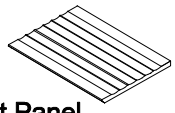
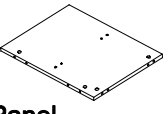
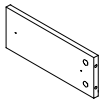
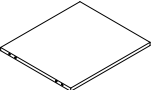
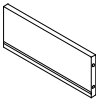
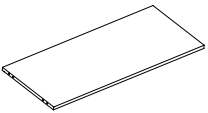
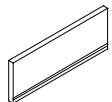
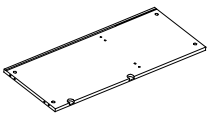
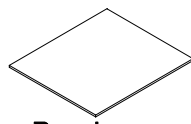
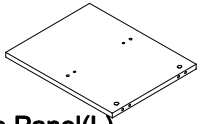

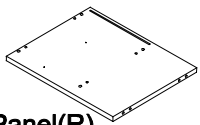
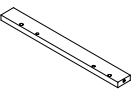
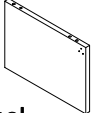
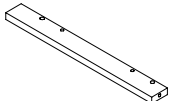
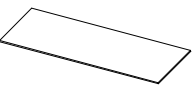

- VI. A Phillips head screwdriver is required for the assembly of this product.




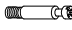









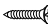



- VII. Power tools should not be used to assemble this product.

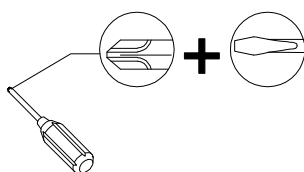


# COMPONENT PARTS

| DESCRIPTION | PART NAME                                                                                                   | QTY(PCS) | DESCRIPTION | PART NAME                                                                                                    | QTY(PCS) |
|-------------|-------------------------------------------------------------------------------------------------------------|----------|-------------|--------------------------------------------------------------------------------------------------------------|----------|
| ①           | <br>Top Panel              | 1        | ⑫           | <br>Door                  | 1        |
| ②           | <br>Left Side Panel        | 1        | ⑬           | <br>Drawer Front Panel    | 1        |
| ③           | <br>Right Side Panel       | 1        | ⑭           | <br>Drawer Side Panel(L)  | 1        |
| ④           | <br>Shelf                  | 2        | ⑮           | <br>Drawer Side Panel(R)  | 1        |
| ⑤           | <br>Table Top             | 1        | ⑯           | <br>Drawer Back Panel    | 1        |
| ⑥           | <br>Table Bottom         | 1        | ⑰           | <br>Drawer Bottom Panel | 1        |
| ⑦           | <br>Middle Side Panel(L) | 1        | ⑱           | <br>Support Panel       | 1        |
| ⑧           | <br>Middle Side Panel(R) | 1        | ⑲           | <br>Support Panel       | 1        |
| ⑨           | <br>Middle Side Panel    | 1        | ⑳           | <br>Support Panel       | 1        |
| ⑩           | <br>Back Panel           | 1        |             |                                                                                                              |          |
| ⑪           | <br>Support Panel        | 5        |             |                                                                                                              |          |

# Hardware List

|   |                                                                                     |           |               |        |
|---|-------------------------------------------------------------------------------------|-----------|---------------|--------|
| A |    | Ø8x30mm   | Wooden dowel  | 40 pcs |
| B |    | Ø6x35mm   | Cam bolt      | 40 pcs |
| C |    | Ø15x11mm  | Cam lock      | 40 pcs |
| D |    |           | Sticker       | 40 pcs |
| E |    | Ø6x50mm   | Screw         | 2 pcs  |
| F |    | 4mm       | Allen Key     | 1 pcs  |
| G |    |           | Glue tube     | 1 pcs  |
| H |    | Ø4x30mm   | Screw         | 14 pcs |
| I |  | Ø3.5x14mm | Screw         | 8 pcs  |
| J |  |           | Drawer slider | 1 pcs  |
| K |  |           | Plastic wedge | 6 pcs  |
| L |  | Ø3x16mm   | Screw         | 18 pcs |
| M |  |           |               | 2 pcs  |
| N |  |           |               | 2 pcs  |
| O |  |           | Mat callosity | 4 pcs  |



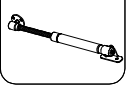
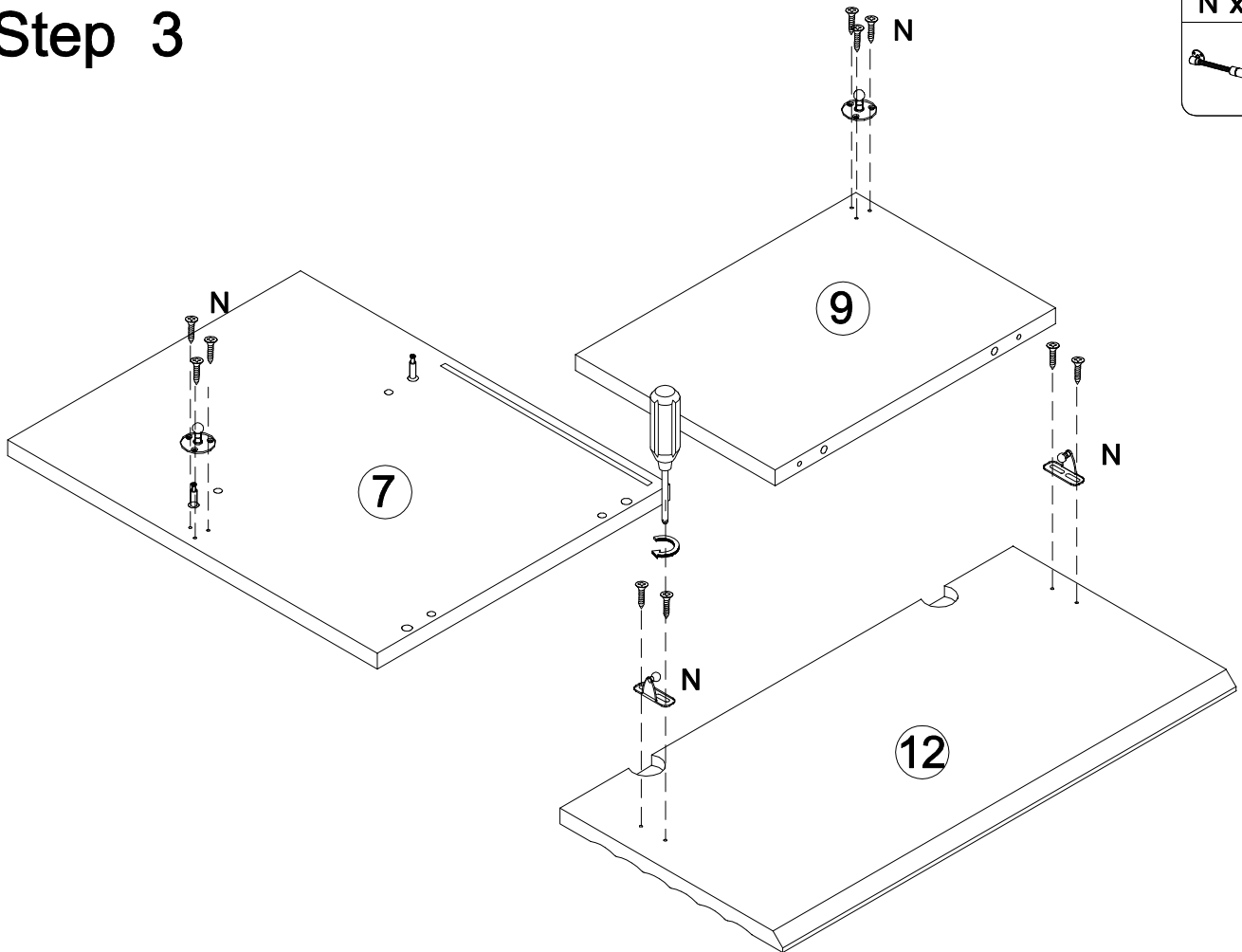
Philips head screwdriver required for assembly  
(not included)

*The hardware quantities listed above are required for proper assembly.  
Some extra hardware may also have been included.*



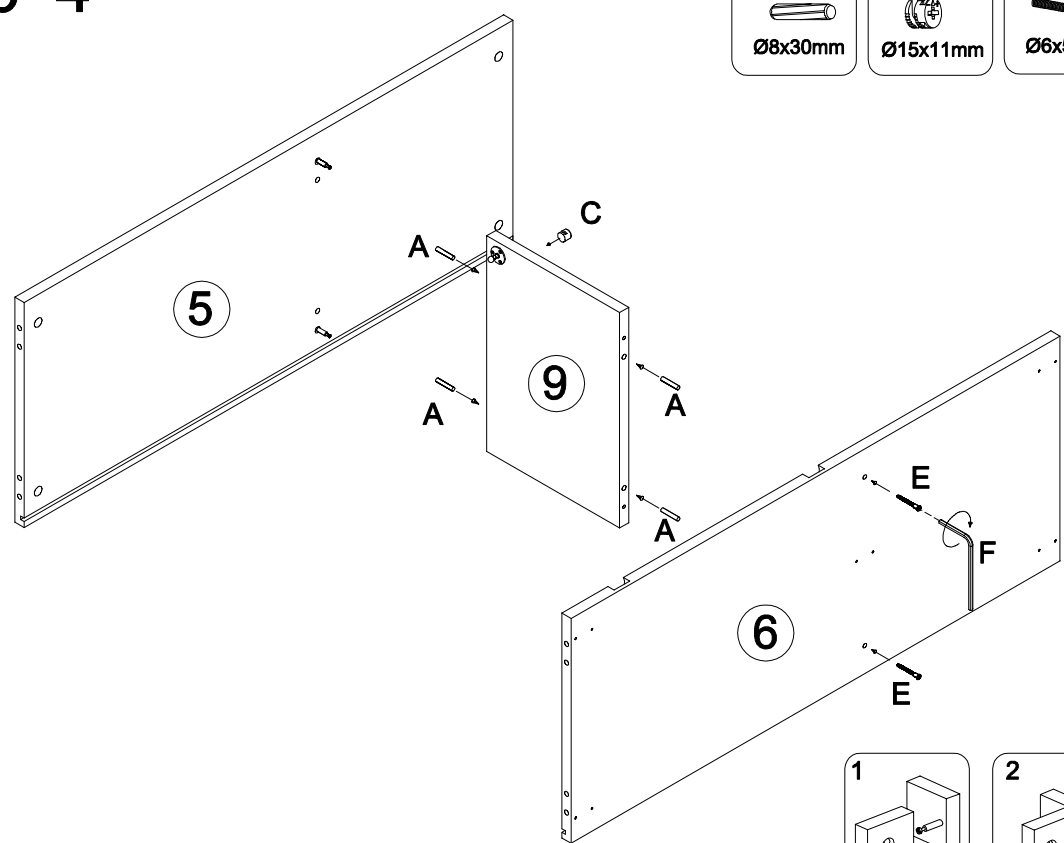
# Step 3

N x 2

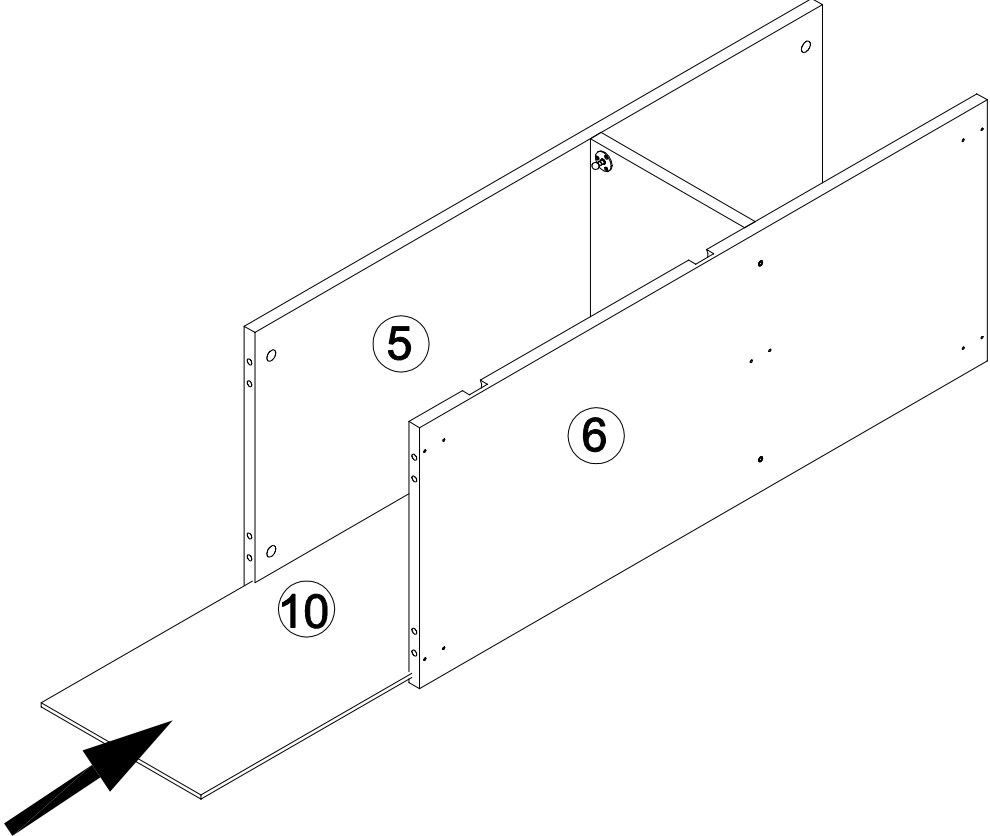



# Step 4

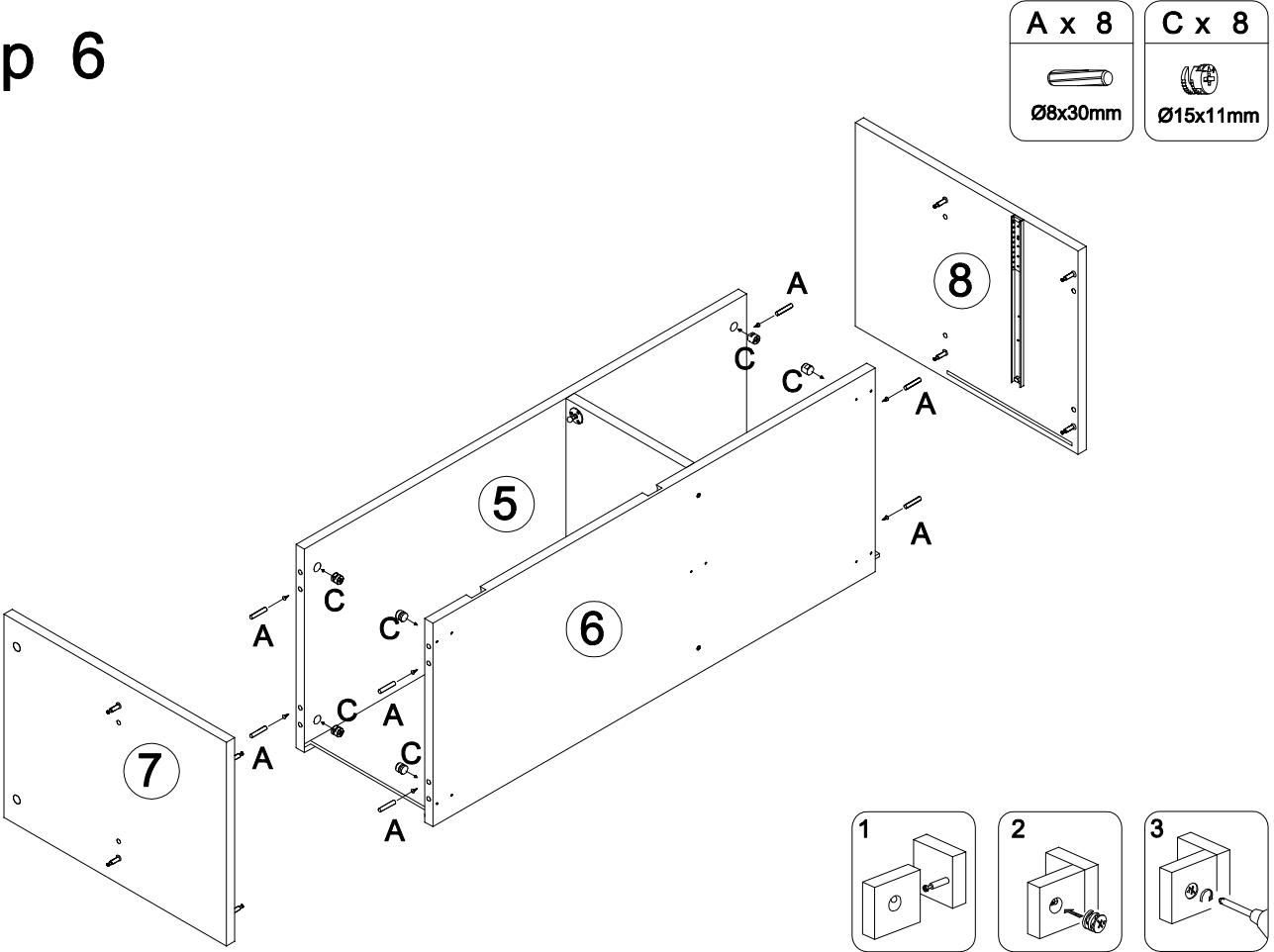
|                  |                   |                  |              |
|------------------|-------------------|------------------|--------------|
| A x 4<br>Ø8x30mm | C x 2<br>Ø15x11mm | E x 2<br>Ø6x50mm | F x 1<br>4mm |
|------------------|-------------------|------------------|--------------|



# Step 5



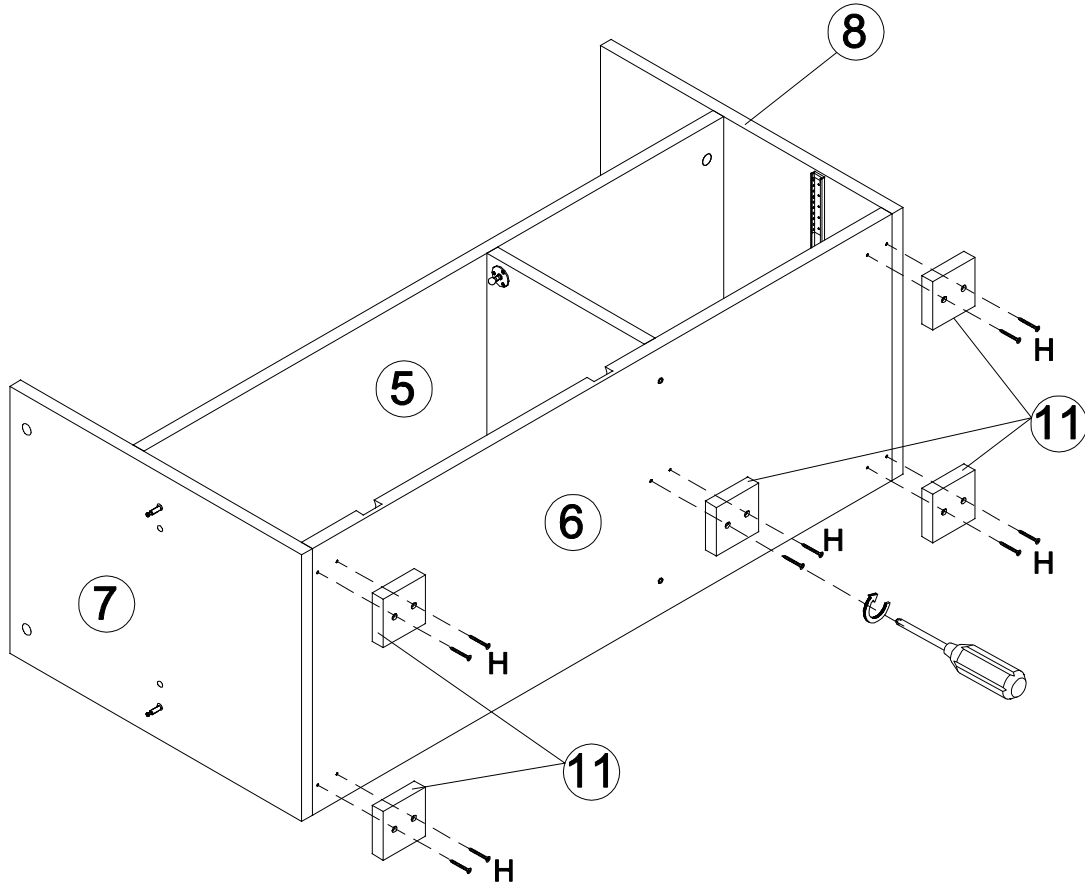
# Step 6



# Step 7

H x 10

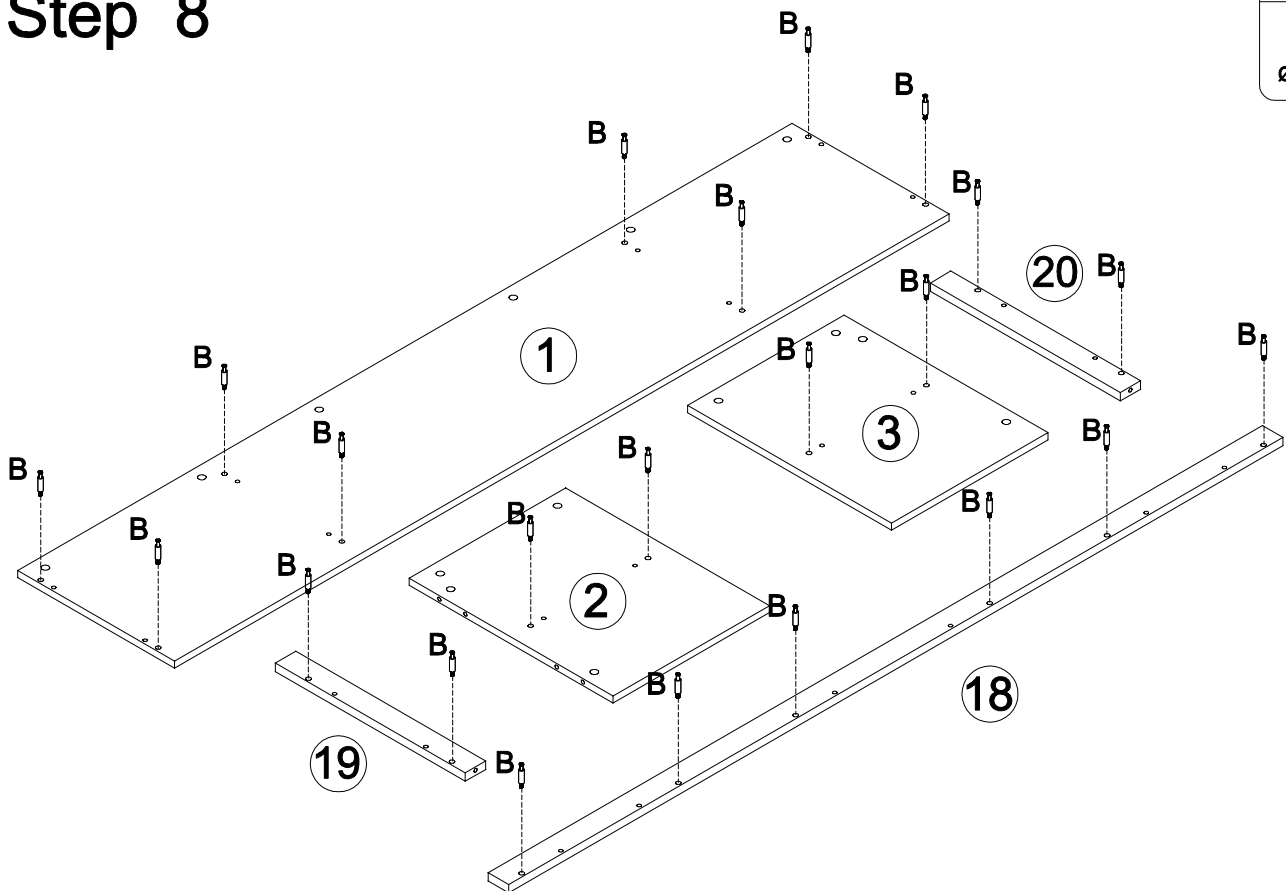
Ø4x30mm





# Step 8

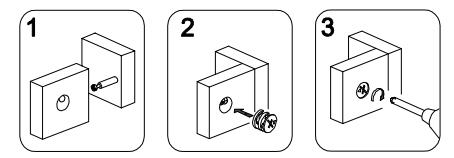
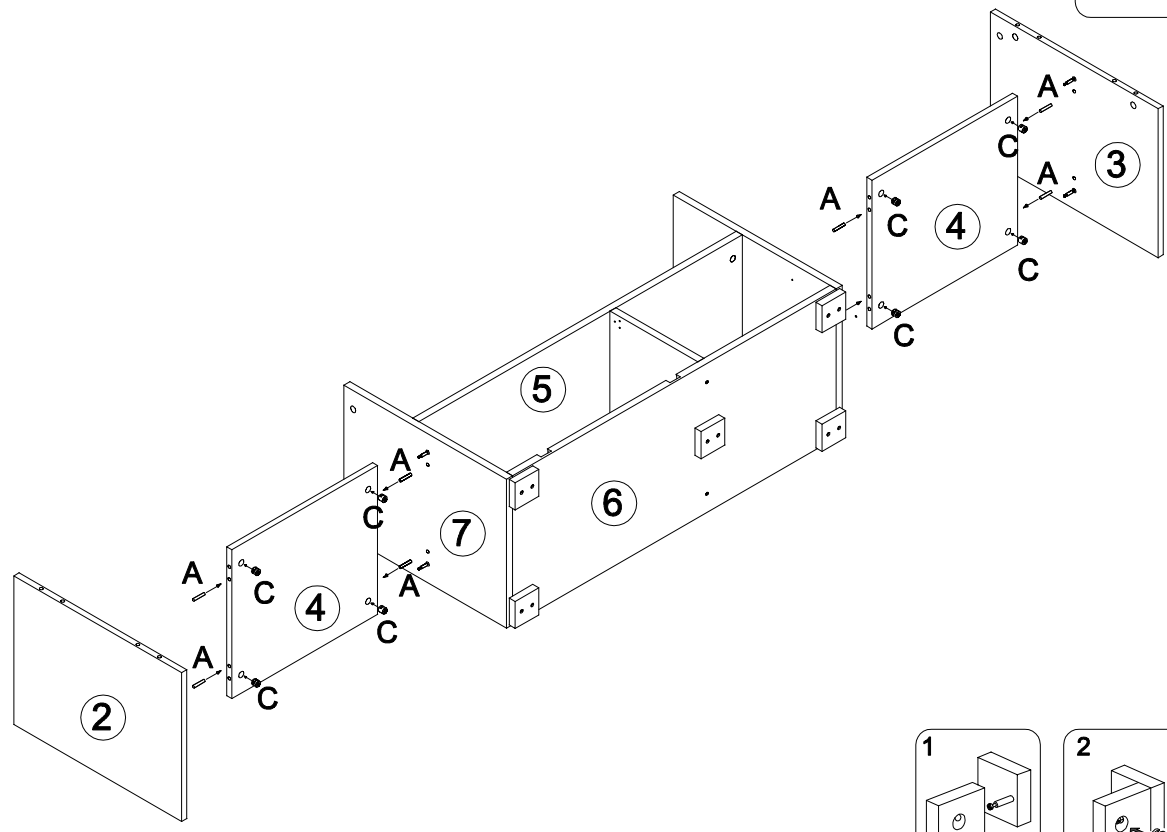
B x 22

Ø6x35mm





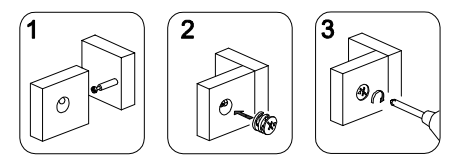
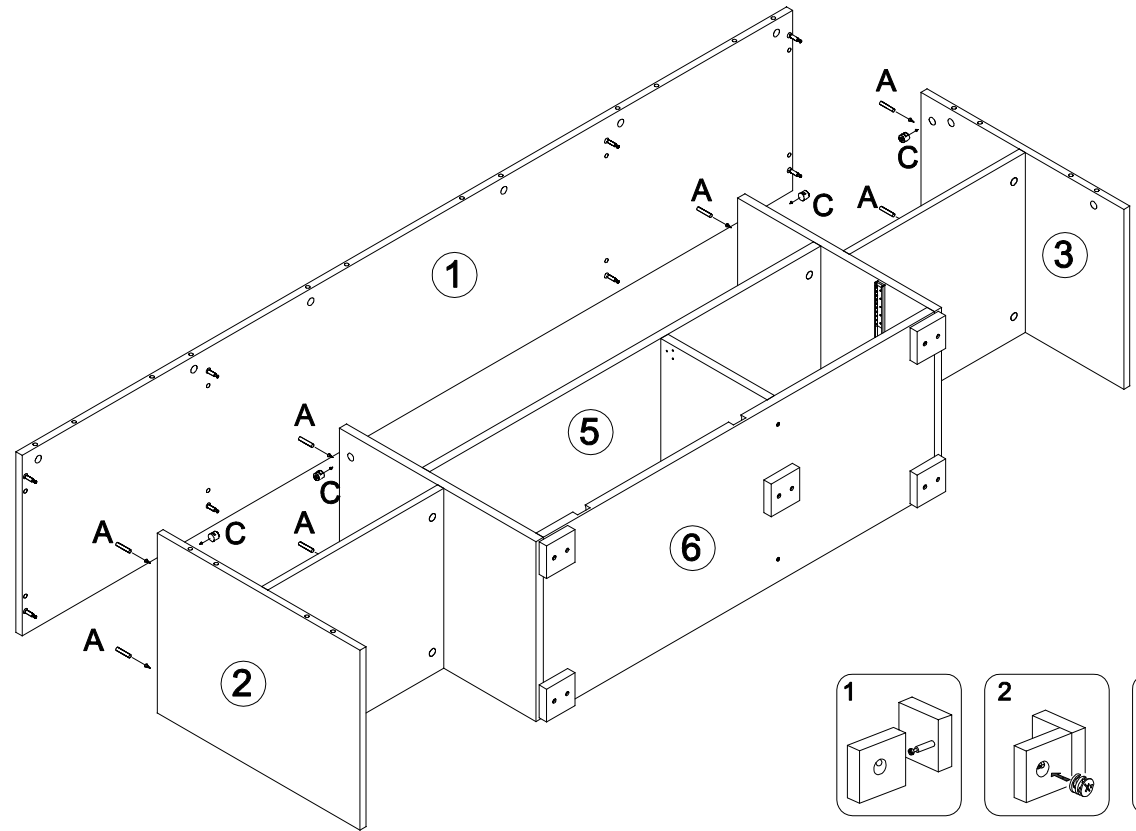
# Step 9

|                                                                                                                |                                                                                                                 |
|----------------------------------------------------------------------------------------------------------------|-----------------------------------------------------------------------------------------------------------------|
| <b>A x 8</b><br><br>Ø8x30mm | <b>C x 8</b><br><br>Ø15x11mm |
|----------------------------------------------------------------------------------------------------------------|-----------------------------------------------------------------------------------------------------------------|





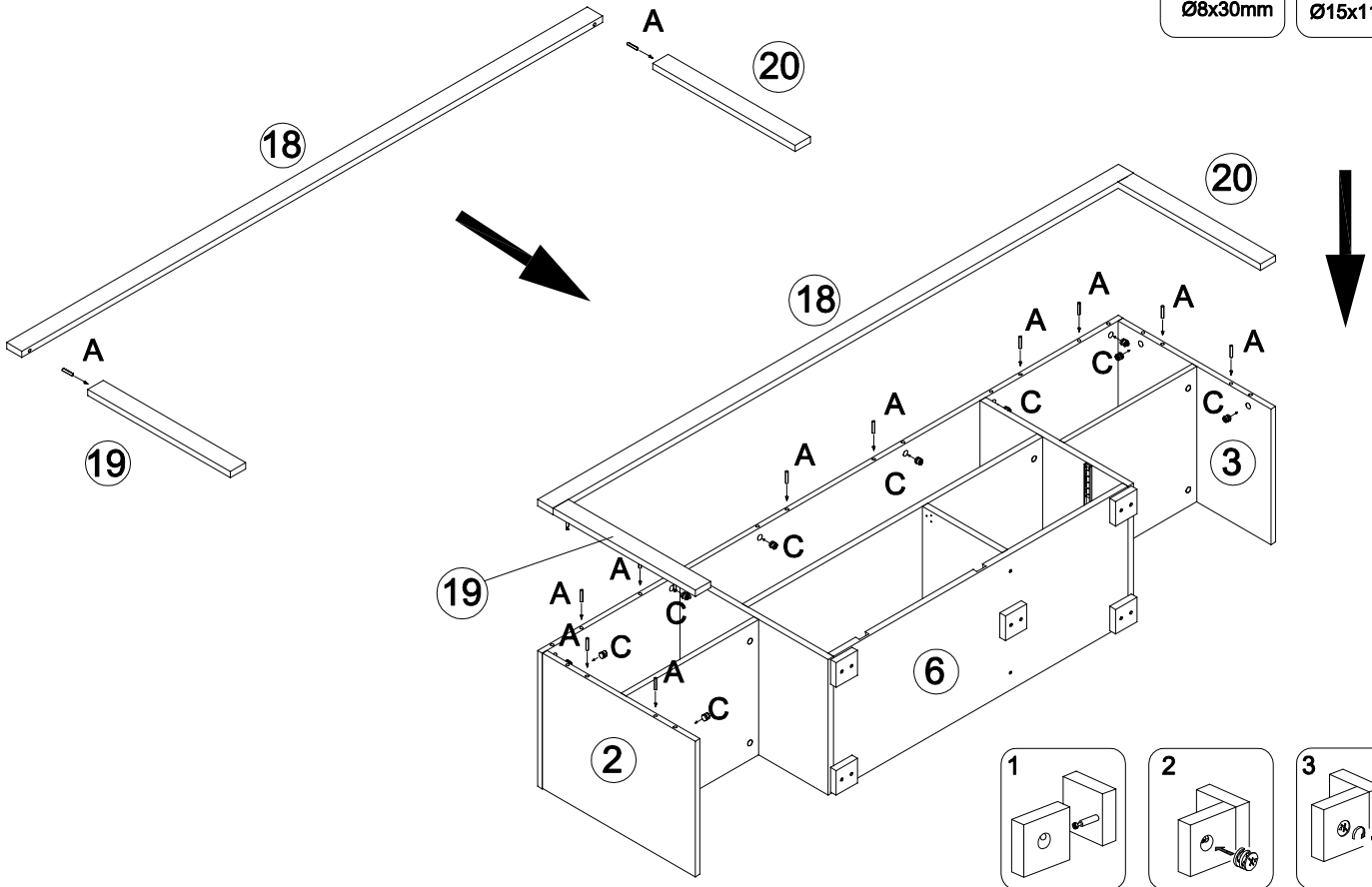
# Step 10

|                                                                                                                  |                                                                                                                   |
|------------------------------------------------------------------------------------------------------------------|-------------------------------------------------------------------------------------------------------------------|
| <b>A x 8</b><br><br>Ø8x30mm | <b>C x 8</b><br><br>Ø15x11mm |
|------------------------------------------------------------------------------------------------------------------|-------------------------------------------------------------------------------------------------------------------|

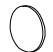


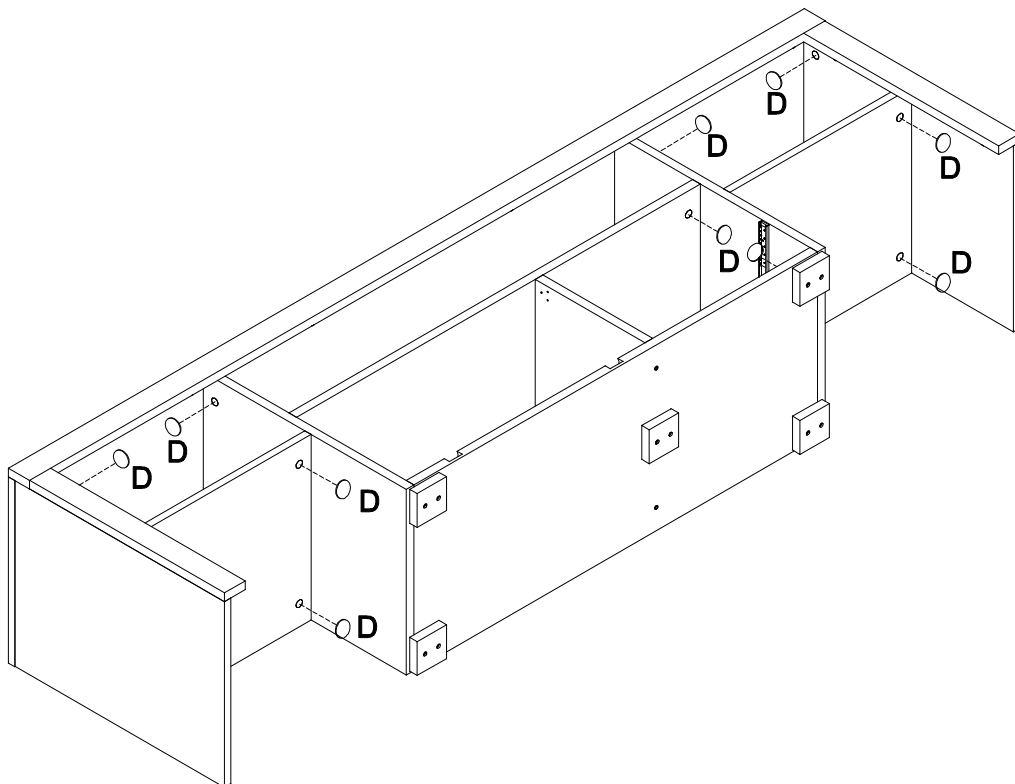
# Step 11

|                                                                                     |                                                                                     |
|-------------------------------------------------------------------------------------|-------------------------------------------------------------------------------------|
| A x 12                                                                              | C x 10                                                                              |
|  |  |
| Ø8x30mm                                                                             | Ø15x11mm                                                                            |


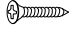


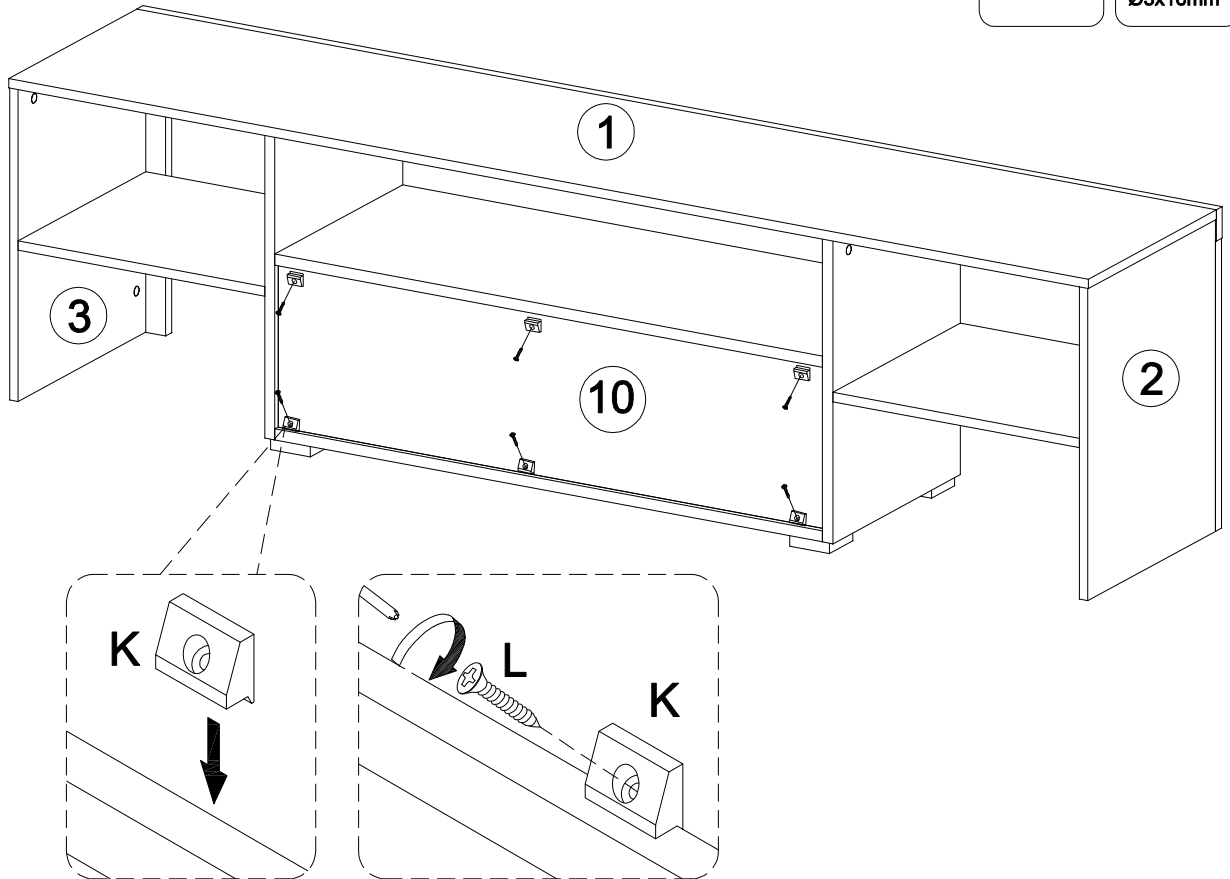
# Step 12

|                                                                                       |
|---------------------------------------------------------------------------------------|
| D x 36                                                                                |
|  |




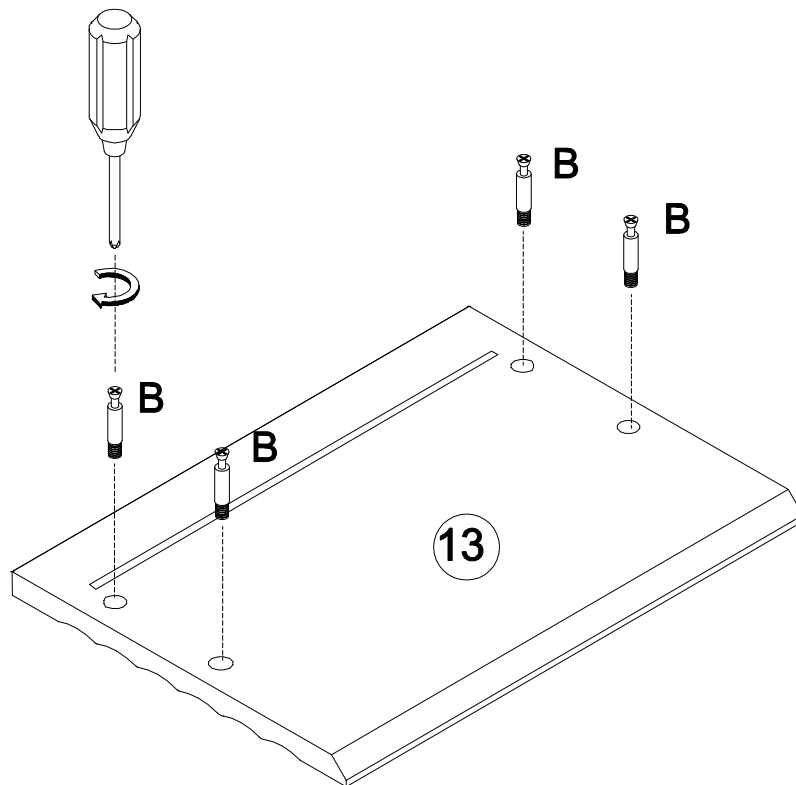
# Step 13

|                                                                                     |                                                                                     |
|-------------------------------------------------------------------------------------|-------------------------------------------------------------------------------------|
| <b>K x 6</b>                                                                        | <b>L x 6</b>                                                                        |
|  |  |
|                                                                                     | <b>Ø3x16mm</b>                                                                      |



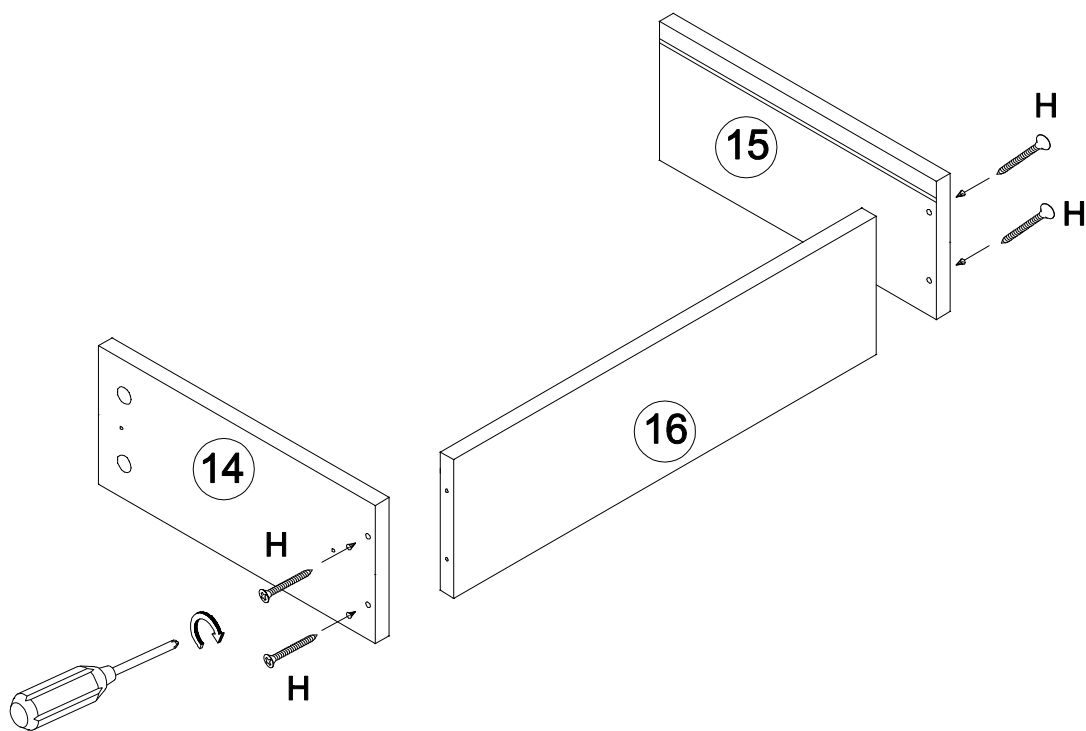
# Step 14

|                                                                                       |
|---------------------------------------------------------------------------------------|
| <b>B x 4</b>                                                                          |
|  |
| <b>Ø6x35mm</b>                                                                        |

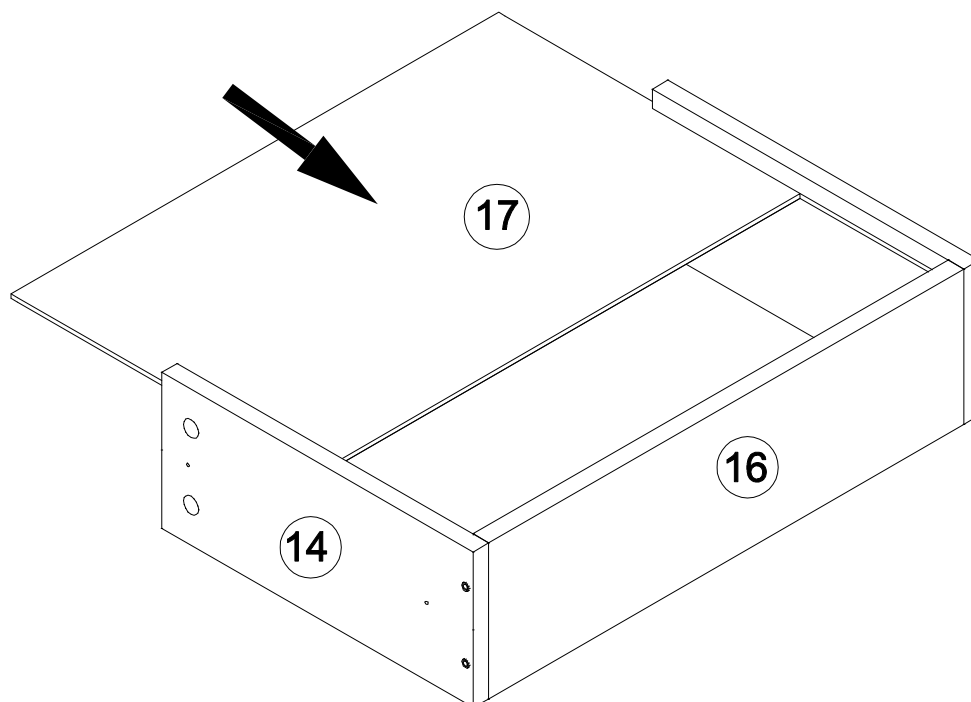


# Step 15

H x 4

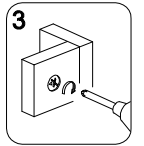
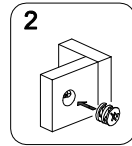
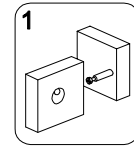
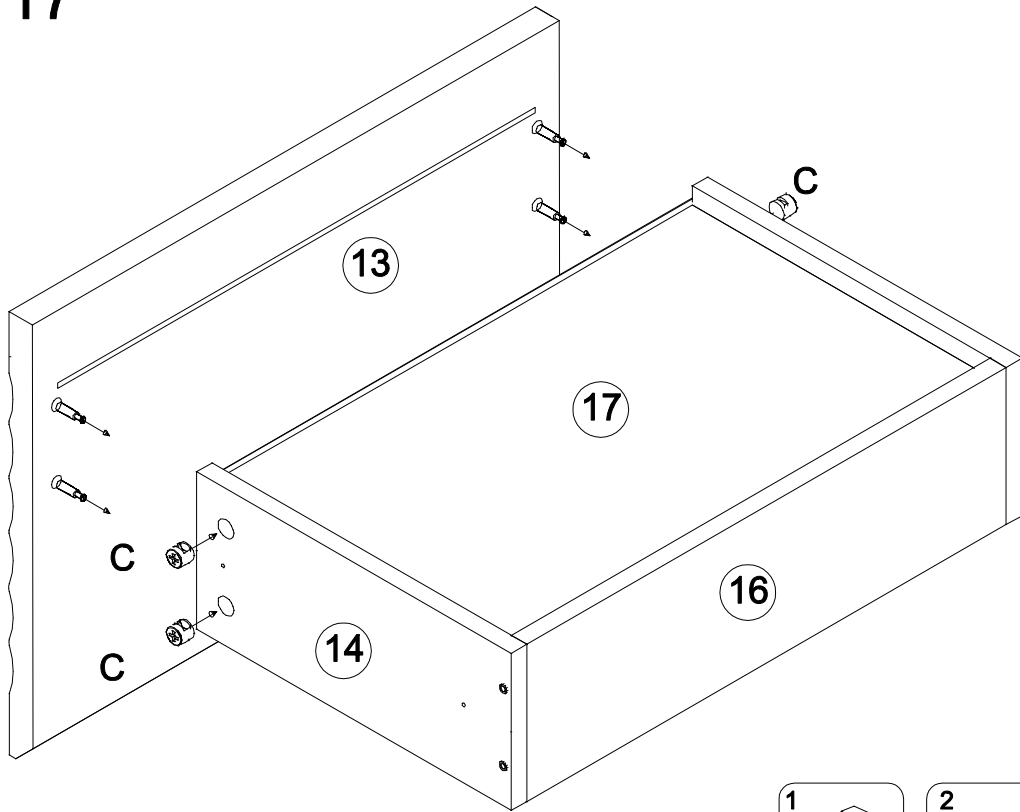


# Step 16



# Step 17

C x 4

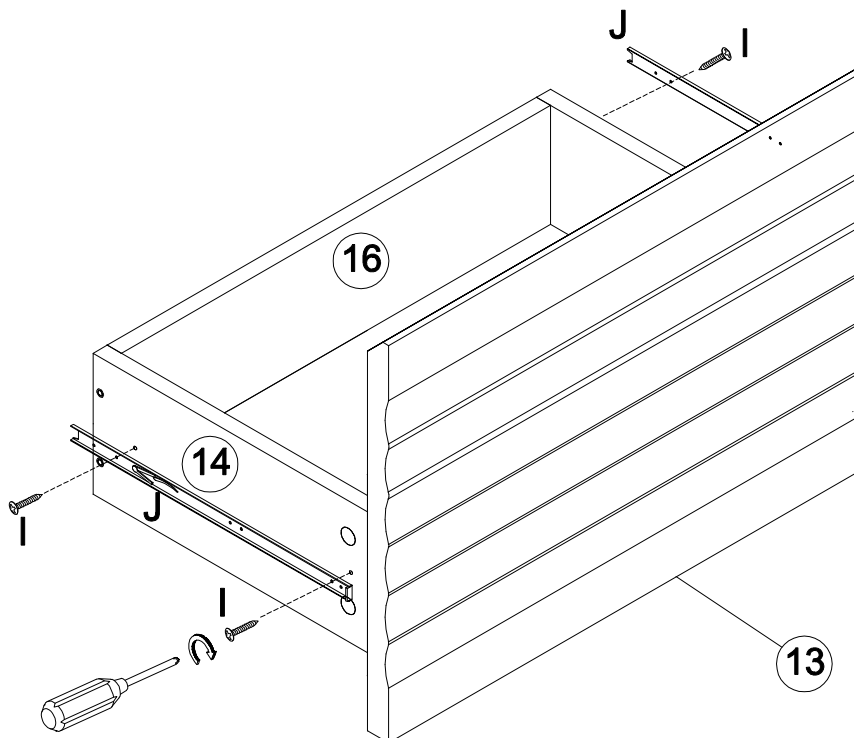


# Step 18

I x 4

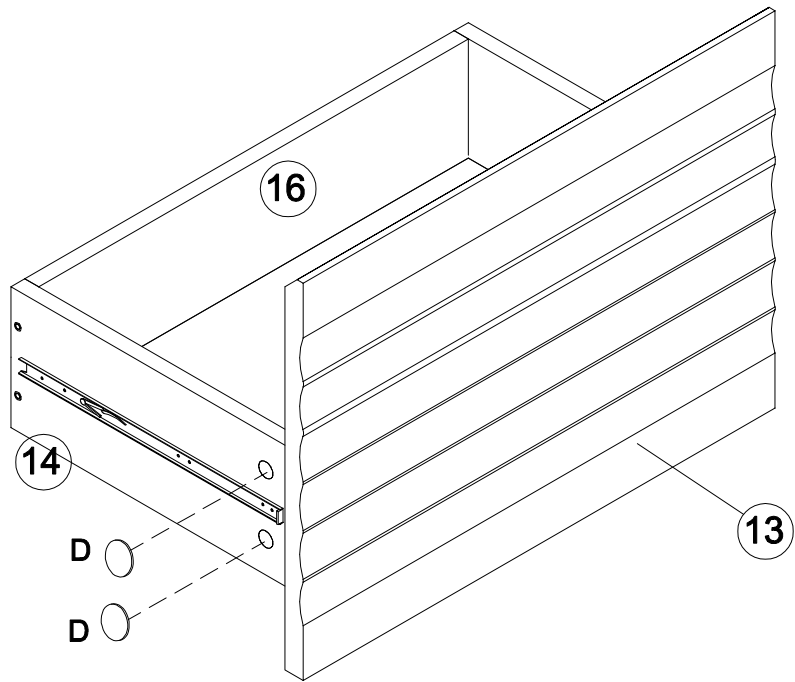



J x 1

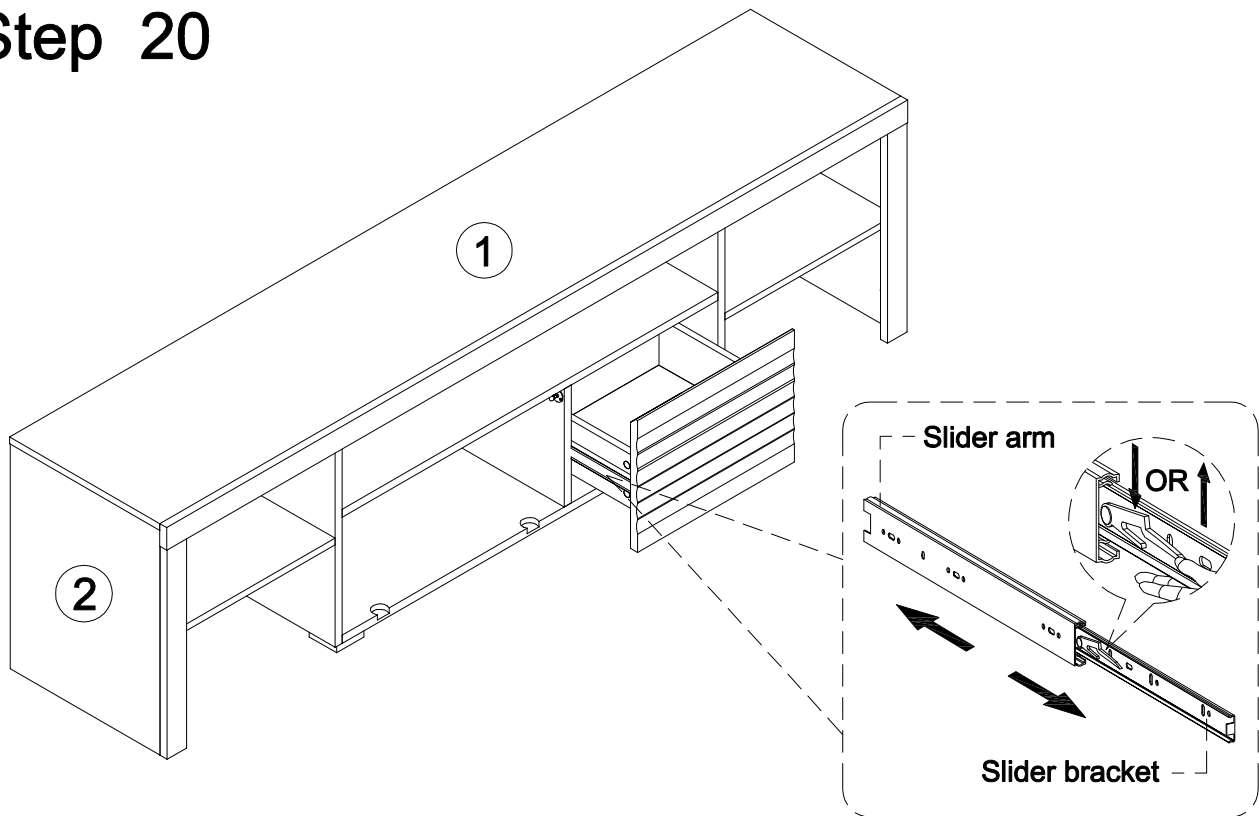


# Step 19

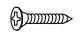

D x 4

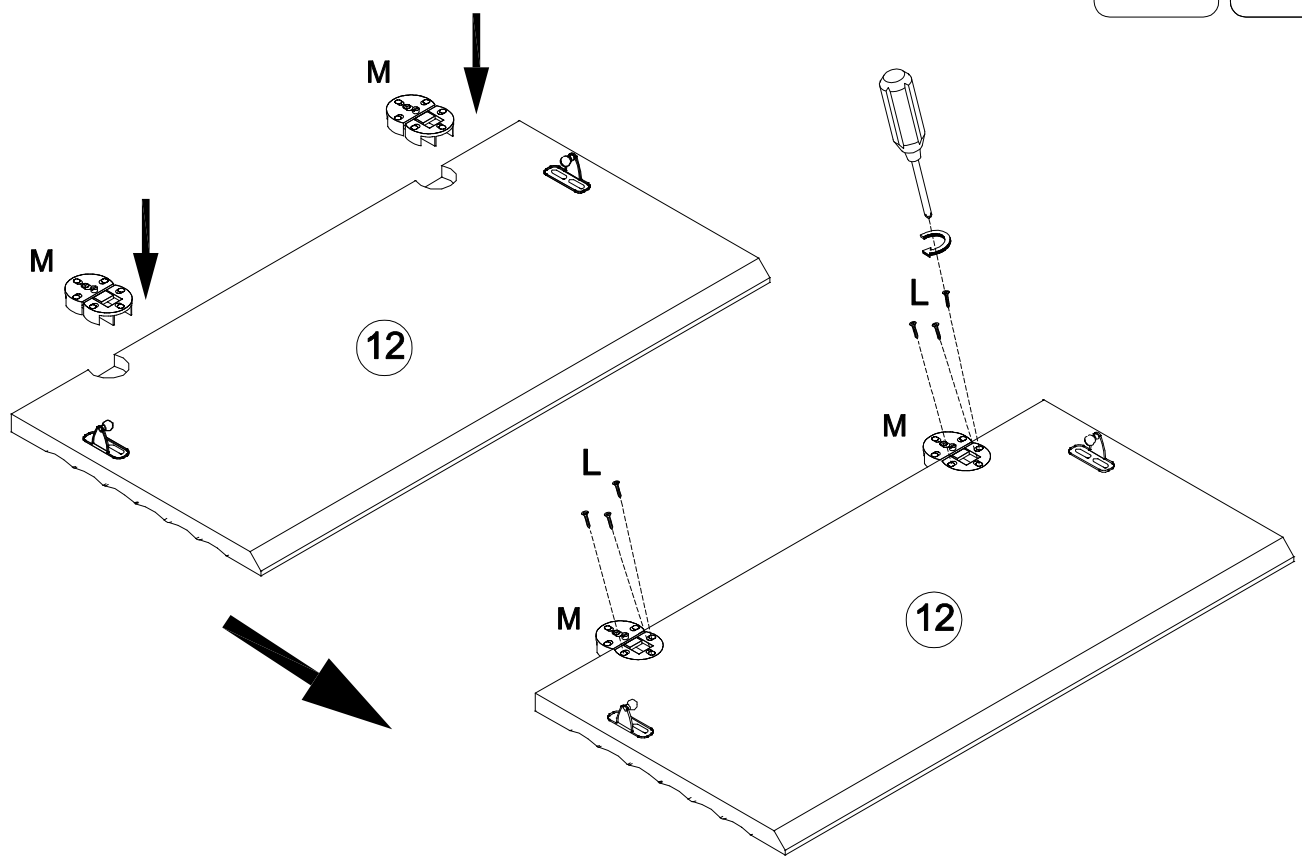


# Step 20





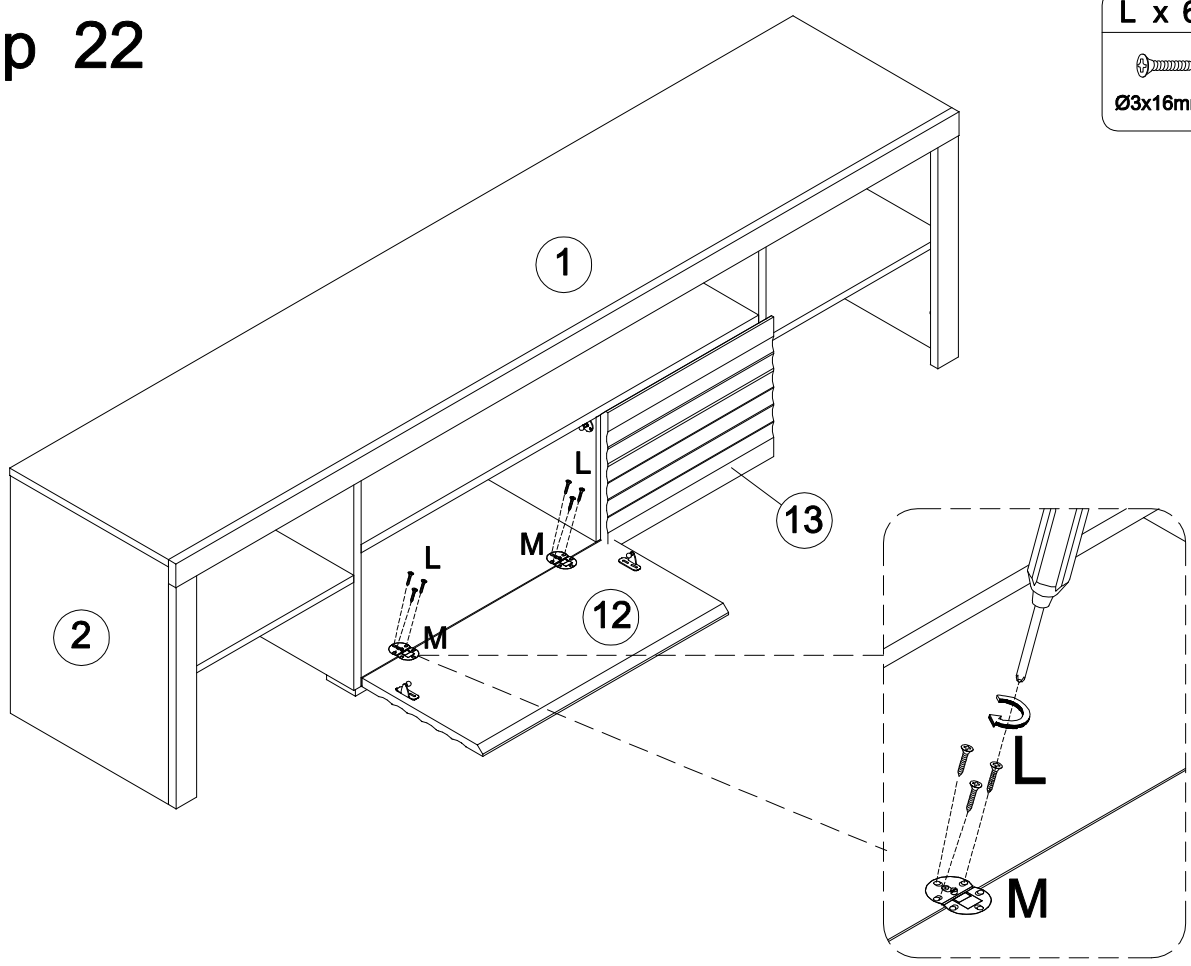
# Step 21

|                                                                                     |                                                                                     |
|-------------------------------------------------------------------------------------|-------------------------------------------------------------------------------------|
| L x 6                                                                               | M x 2                                                                               |
|  |  |
| Ø3x16mm                                                                             |                                                                                     |

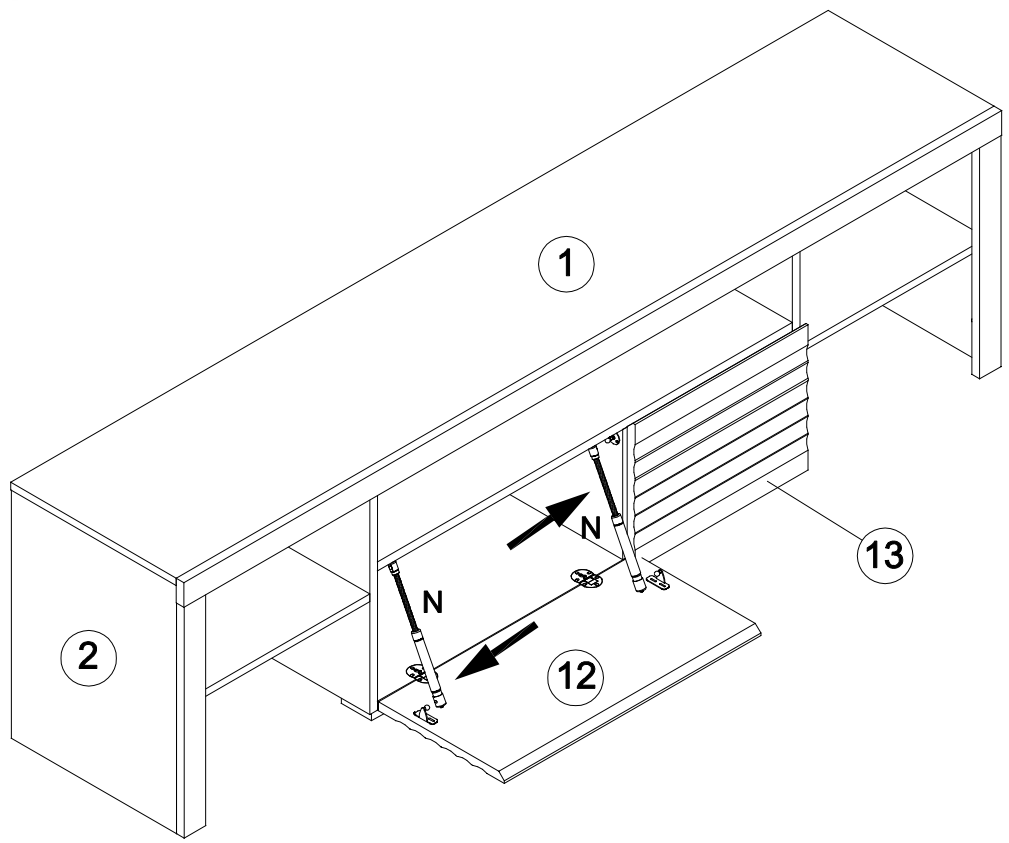
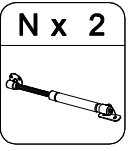


# Step 22

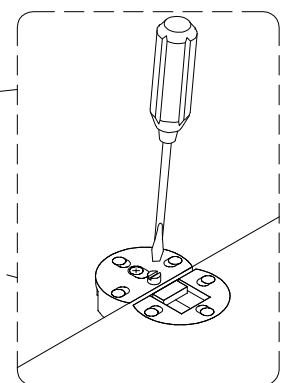
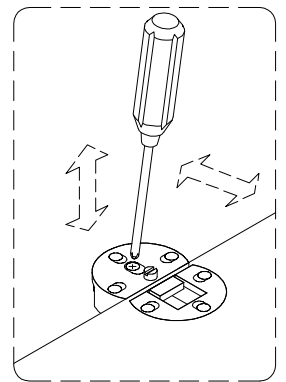
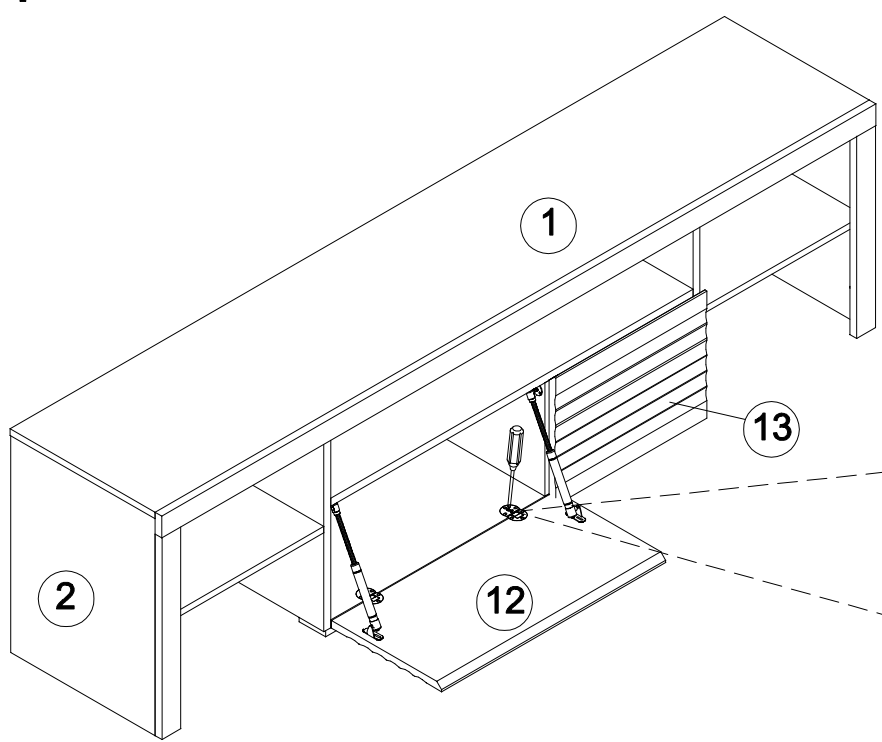
|                                                                                       |                                                                                       |
|---------------------------------------------------------------------------------------|---------------------------------------------------------------------------------------|
| L x 6                                                                                 | M x 2                                                                                 |
|  |  |
| Ø3x16mm                                                                               |                                                                                       |



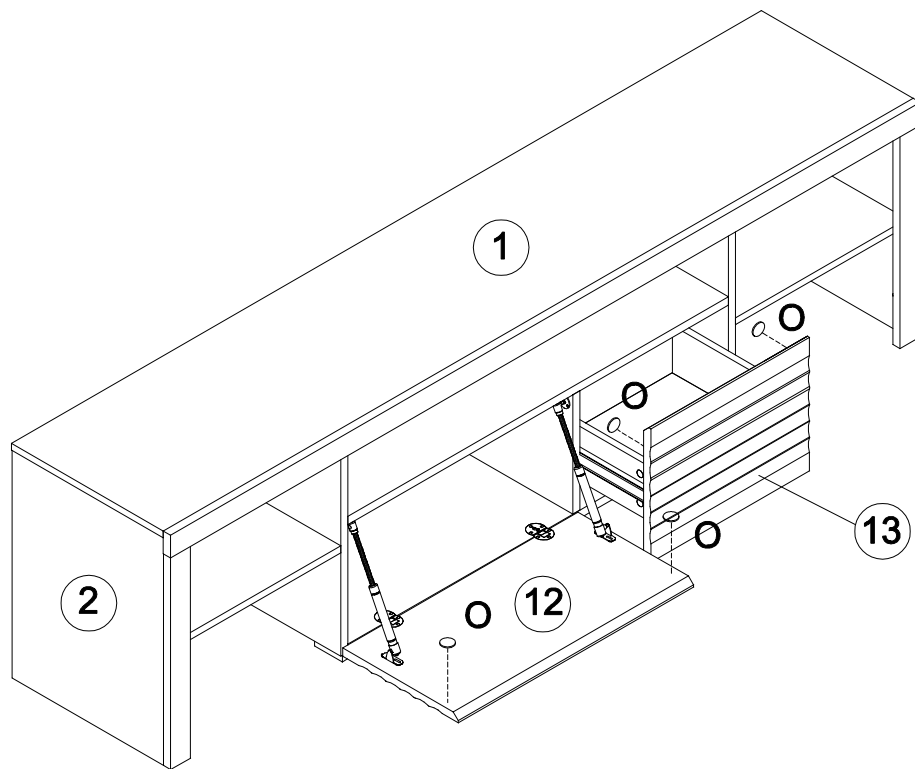
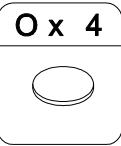
# Step 23



# Step 24



# Step 25



# Step 26

