






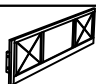


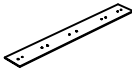









ASSEMBLY INSTRUCTION FOR ACME FURNITURE
MODEL # 21606/21696/22696EK-HF(3A)
/21607/21697/22697EK-R(3A)/21608/21698/22698EK-DRW(3A)

Thank you for purchasing the quality product. Be sure to check all packing material carefully for small parts which may have come loose inside the carton during shipment. Separate, identify and count all parts and metal hardware. Compare with all parts list to be sure all parts are present. If any part(s) are missing or damaged, please contact your local furniture dealer. For efficient and speedy service, please indicate the model number and code letter of parts(s) needed.




Do not fully tighten screws until fully assembled

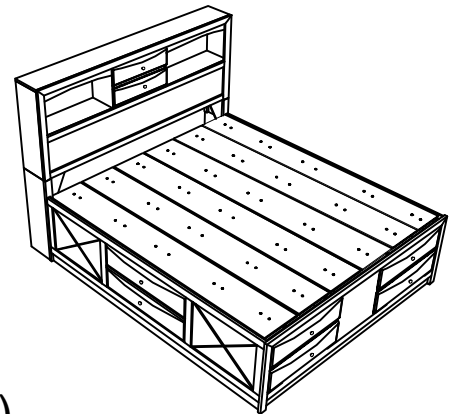
COMPONENT PARTS		
DESCRIPTION	PART NAME	Q'TY (PCS)
①	HEADBOARD 	1
②	FOOTBOARD 	1
③	HEADBOARD LEG(L&R) 	2
④	TRIANGLE SUPPORT PANEL 	2
⑤	DRAWER SUPPORT RAIL 2 	4
⑥	SUPPORT LEG 2 	1
⑦	SUPPORT LEG 3 	1
⑧	SIDE RAIL 	2
⑨	BED SLAT WITHOUT MARKING 	3
⑩	FOOTBOARD DRAWER FRAME 	1
⑪	CONCEALED PANEL 	6
⑫	HEADBOARD BACK SUPPORT 1 	1
⑬	DRAWER SUPPORT RAIL 	1
⑭	SUPPORT LEG 1 	5
⑮	HEADBOARD BACK SUPPORT 2 	1
⑯	BED SLAT WITH MARKING 	2
⑰	DRAWER 1 	4
⑱	DRAWER 2 	2

HARDWARE REQUIRED(BOX OF HEADBOARD)




- (A)  FLATHEAD CHIPBOARD SCREW 5/32" x 1 2/8" - 8 PCS
- (B)  PANHEAD CHIPBOARD SCREW 4/32"x 13/16"- 8 PCS
- (C)  BOLT 1/4" x 1 3/8" - 4 PCS
- (D)  BOLT 1/4" x 2" - 2 PCS
- (E)  SPRING WASHER 1/4"- 4 PCS
- (F)  FLAT WASHER 1/4"- 4 PCS
- (G)  ALLEN KEY 4 5/16" - 1 PC

HARDWARE REQUIRED(BOX OF SIDE RAIL)

- (H)  FLATHEAD CHIPBOARD SCREW 5/32" x 1 2/8"- 16 PCS
- (I)  PAN HEADCHIPBOARD SCREW 4/32"x 13/16"- 32 PCS
- (J)  1/4" x 1 3/8" - 15 PCS
- (K)  BOLT 1/4" x 2" - 6 PCS
- (L)  SPRING WASHER 1/4"- 15 PCS
- (M)  FLAT WASHER 1/4"- 15 PCS
- (N)  Z-BRACKET - 1 PC
- (O)  ALLEN KEY 4 5/16" - 1 PC



HARDWARE REQUIRED(DRAWER)

- (P)  HANDLE"- 8 PCS
- (Q)  TRUS HEAD M.SCREW 5/32" x 1 7/8"- 4 PCS
- (R)  TRUS HEAD M.SCREW 5/32" x 2"- 4 PCS

A

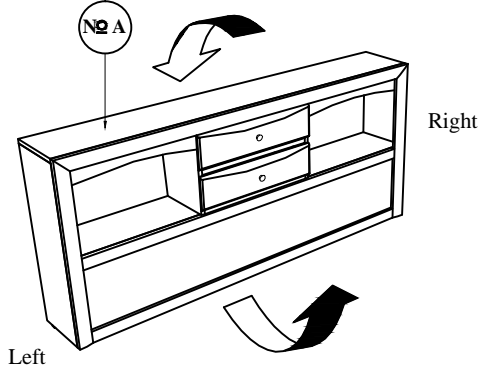


Headboard Assembly Installation

STEP 01

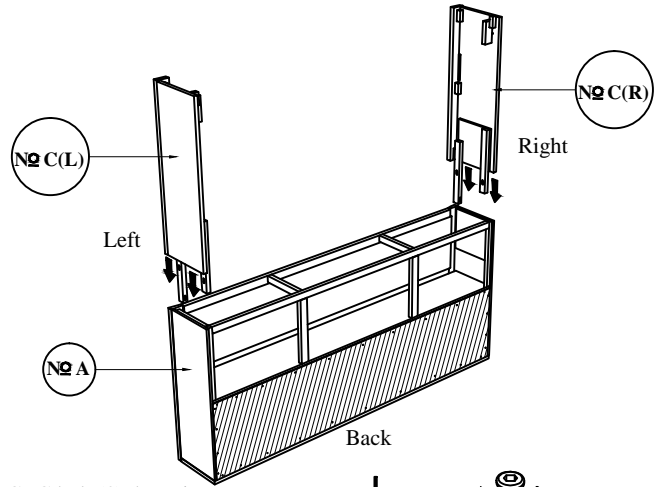
Turn the Headboard (A) upside-down with back of headboard facing you on top of carpeted or padded area to protect it from damage

Box 1 : N°A



STEP 02

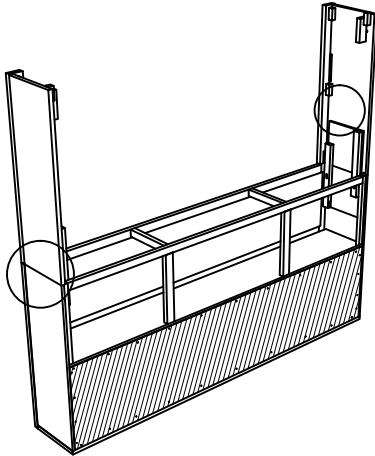
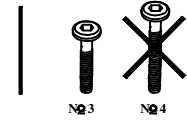
Attach and tighten the Headboard Leg L/R (C) to the Headboard (A).
Box 1 : N° C(L) + N° C(R)



STEP 03

Insert Spring washer (5) , Flat Washer (6) , tighten JCBC bolt (3) by using an Allen Key (7).

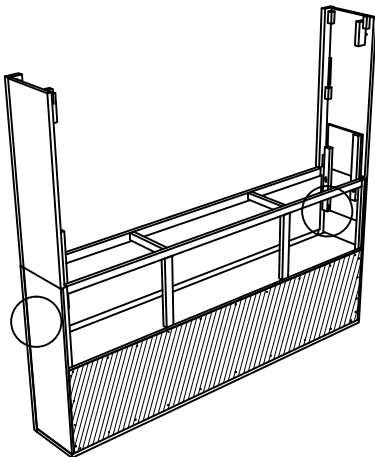
Box 1 : N° 3 + N° 5 + N° 6 + N° 7



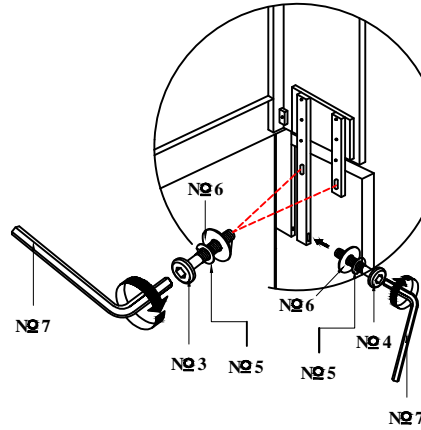
STEP 04

Insert Spring washer (5) , Flat Washer (6) , tighten JCBC bolt (4) by using an Allen Key (7).

Box 1 : N° 4 + N° 5 + N° 6 + N° 7



WARNING!
INSTALL THE BOLTS BY FOLLOWING THE ARROWS SHOWN.AFTER ALL BOLTS BEEN INSTALLED INSIDE THE HOLE PLEASE TIGHTEN THEM FULLY.



A

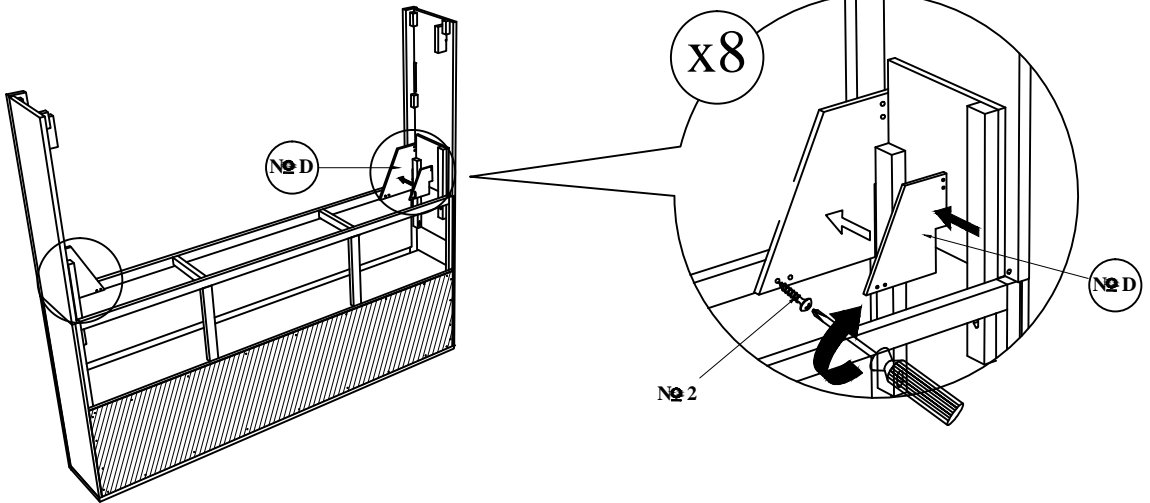


Headboard
Assembly
Installation

**STEP
05**

Attach and tighten the triangle Support Panel (D) to the Headboard and tighten the Panhead screw (2) using screw driver . (Not included)

Box 1 : № D + № 2

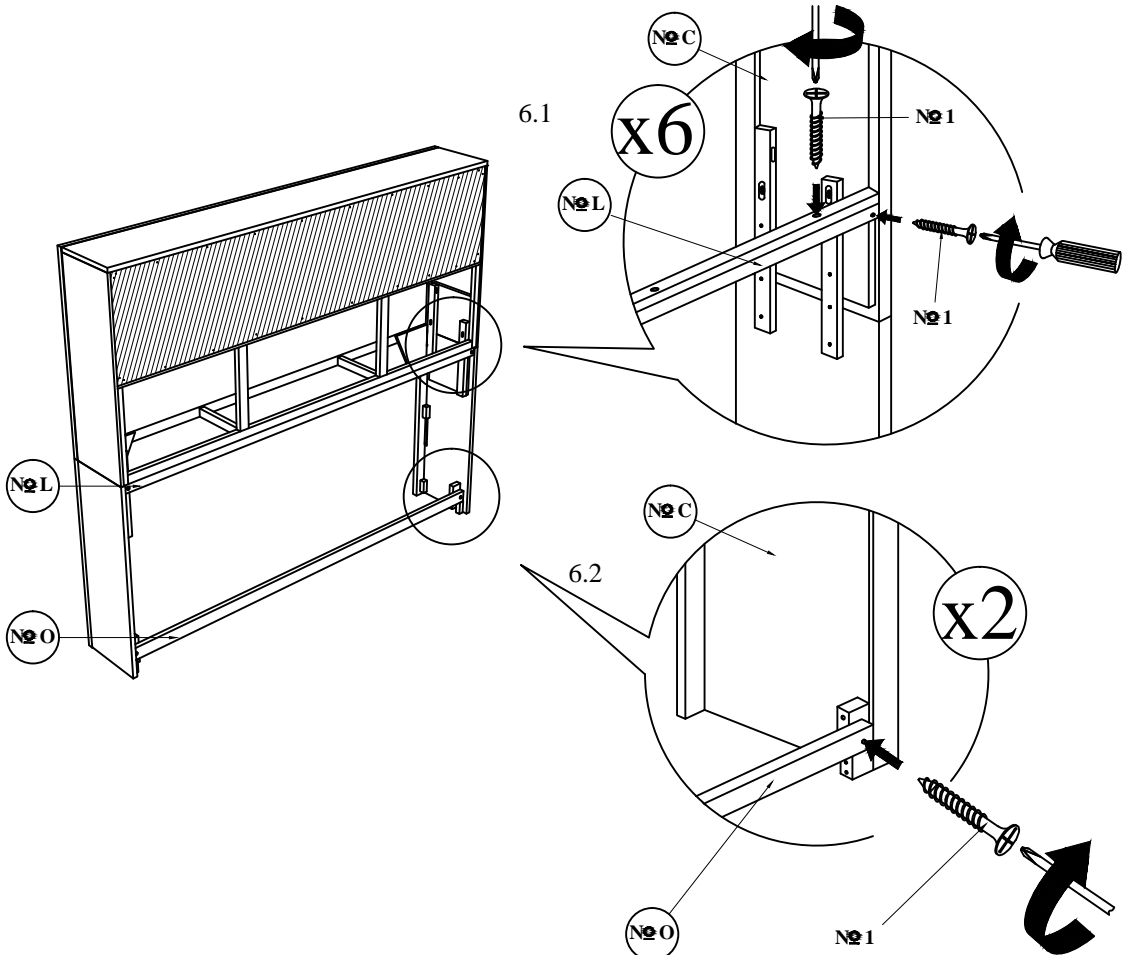
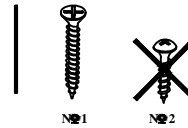


**STEP
06**

Turn the headboard upright with back of headboard facing you. Attach Headboard Back Support (L) & (O) as picture shown. Tighten the CSK screw (1) using a screw driver. (Not included)

Box 1 : № 1

Box 2 : № L + № O



B

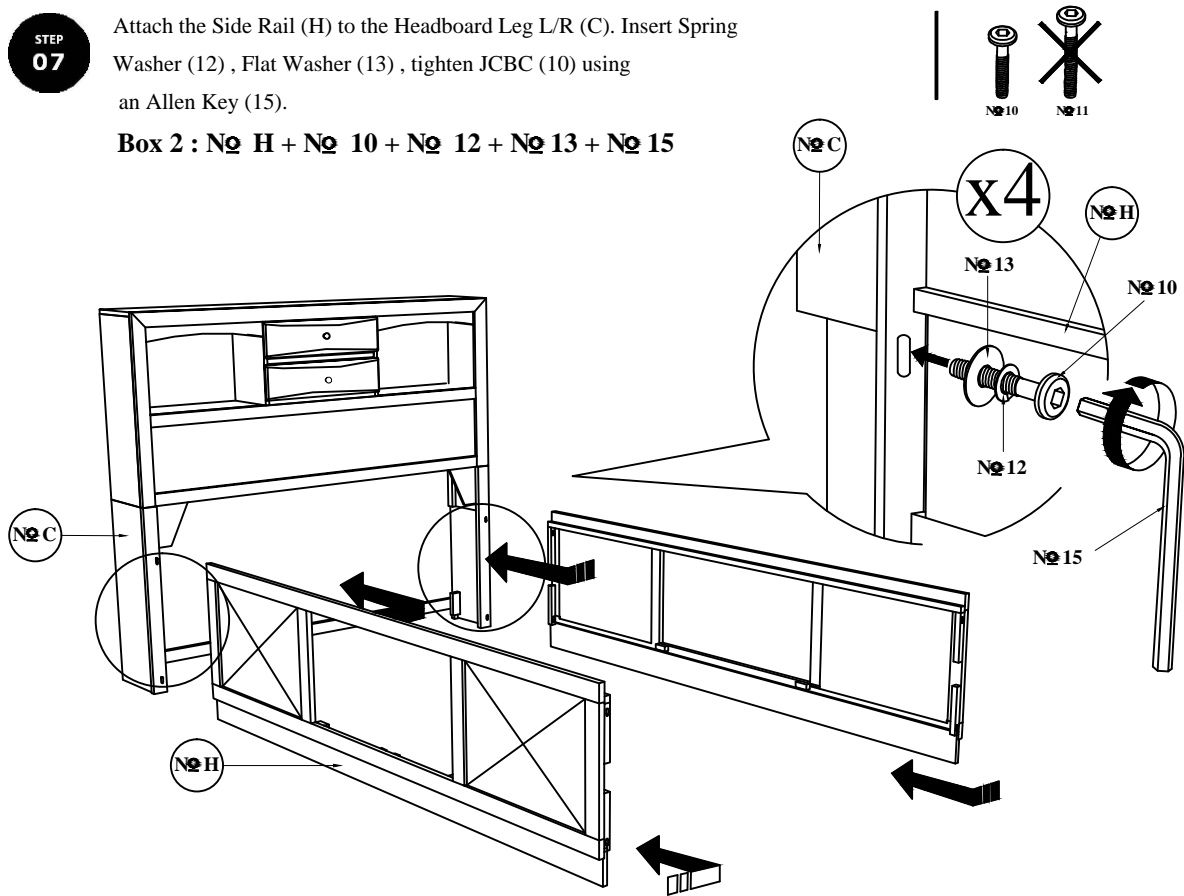
STEP
07

Attach the Side Rail (H) to the Headboard Leg L/R (C). Insert Spring Washer (12), Flat Washer (13), tighten JCBC (10) using an Allen Key (15).

Box 2 : № H + № 10 + № 12 + № 13 + № 15



Footboard
Structure
Assembly
Installation

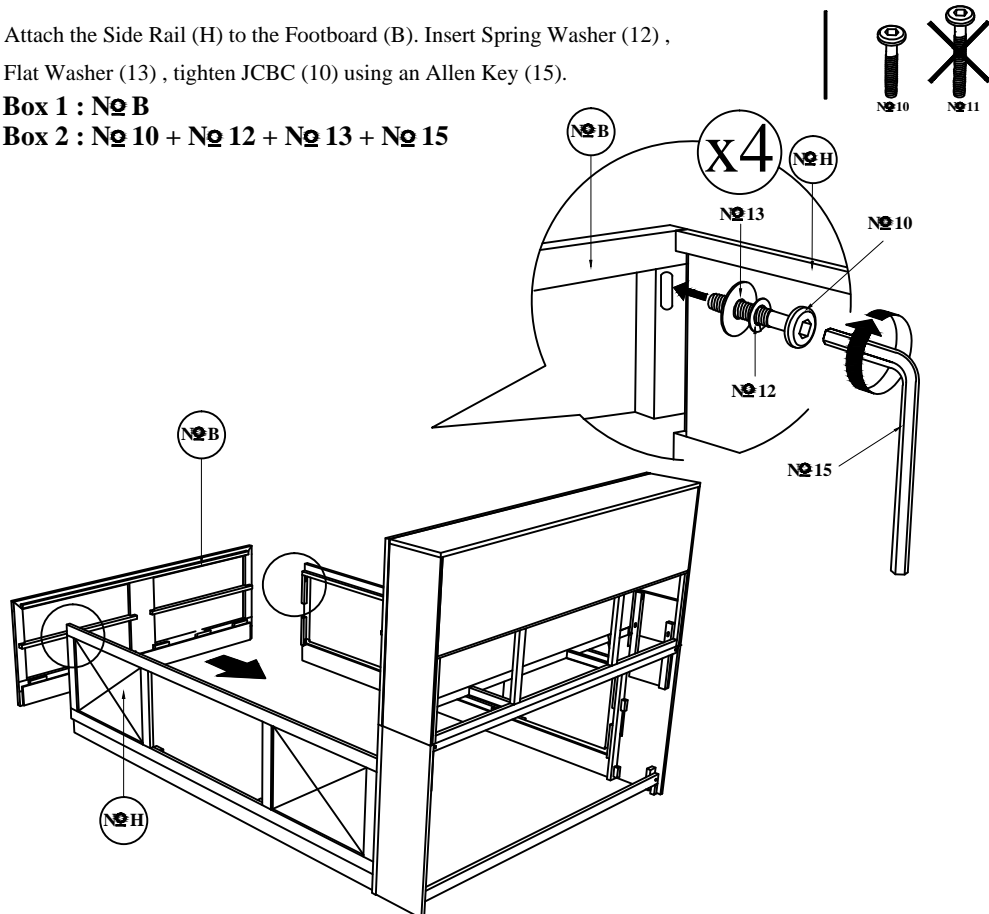


STEP
08

Attach the Side Rail (H) to the Footboard (B). Insert Spring Washer (12), Flat Washer (13), tighten JCBC (10) using an Allen Key (15).

Box 1 : № B

Box 2 : № 10 + № 12 + № 13 + № 15



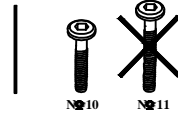
B

STEP
09

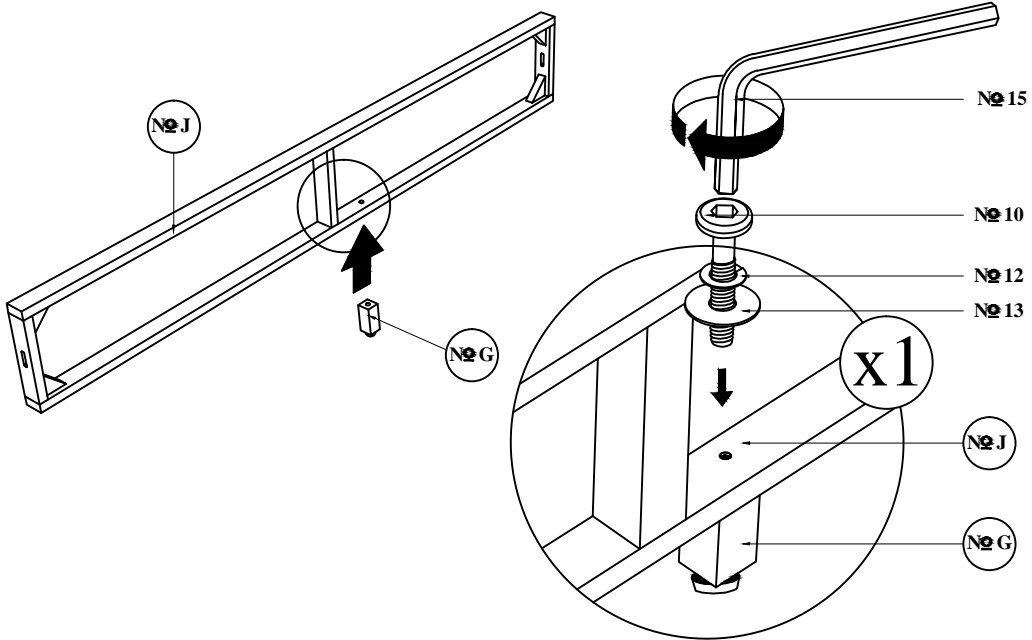
Attach Support Leg (G) to the Footboard Drawer Frame (J). Insert Spring Washer (12), Flat Washer (13), & tighten JCBC (10) using an Allen Key(15).

Box 1 : № G

Box 2 : № J + № 10 + № 12 + № 13 + № 15



Footboard
Structure
Assembly
Installation



STEP
10

Attach the Footboard Drawer Frame (J) to the Side Rail (H). Insert Spring Washer (12), Flat Washer (13), tighten JCBC (10) using Allen Key (15).

Box 2 : № 10 + № 12 + № 13 + № 15

