

ASSEMBLY INSTRUCTIONS FOR ACME FURNITURE

MODEL #21269EK-DRW / #21273Q-DRW / #21265CK-DRW



Thank you for purchasing the quality product. Be sure to check all packing material carefully for small parts which may have come loose inside the carton during shipment. Separate, identify and count all parts and metal hardware. Compare with all parts list to be sure all parts are present. If any part (s) are missing or damaged, please contact your local furniture dealer. For efficient and speedy service, please indicate the model number and code letter of part (s) needed.

*****Do not fully tighten bolts and screws until fully assembled*****

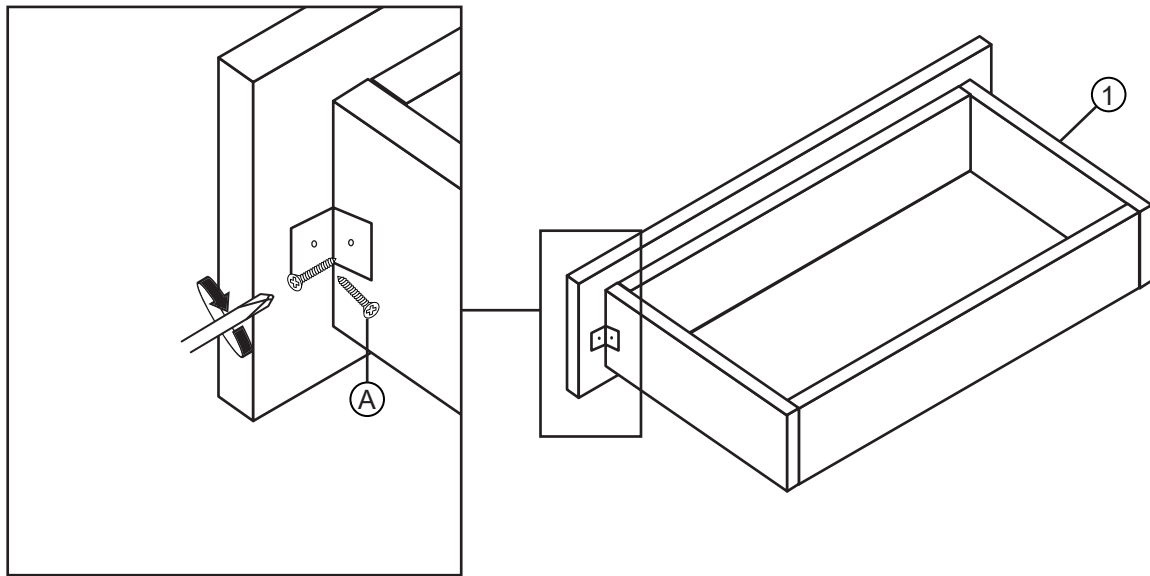
PART LIST :

BOX#	PART#	DESCRIPTION	QTY
1	1	Drawer	1

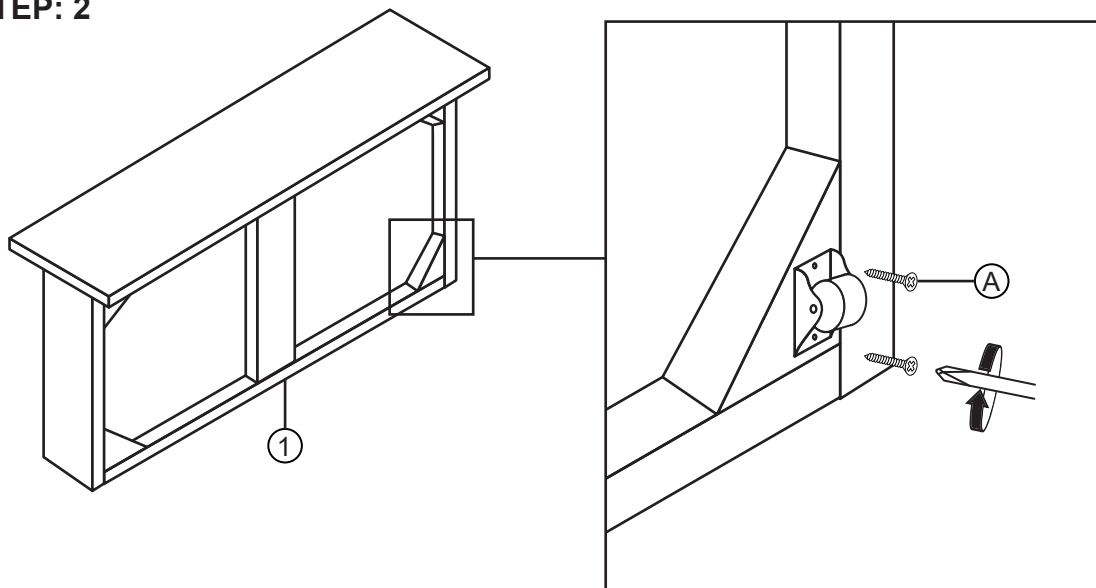
HARDWARE LIST :

NO	DESCRIPTION	QTY
A	CSK Screw M3.5 x 16mm 	10
B	Caster 	4

STEP: 1



STEP: 2



ASSEMBLY COMPLETE

Attention:

*** Some number parts listed on the instruction sheet may not be in parts bag as they may already be assembled. Carefully check parts and packing materials prior to ordering replacements.

Revised Date: 29 / 03 / 2022

ASSEMBLY INSTRUCTIONS FOR ACME FURNITURE

MODEL #21266EK / #21262CK / #21270Q

Thank you for purchasing the quality product. Be sure to check all packing material carefully for small parts which may have come loose inside the carton during shipment. Separate, identify and count all parts and metal hardware. Compare with all parts list to be sure all parts are present. If any part (s) are missing or damaged, please contact your local furniture dealer. For efficient and speedy service, please indicate the model number and code letter of part (s) needed.

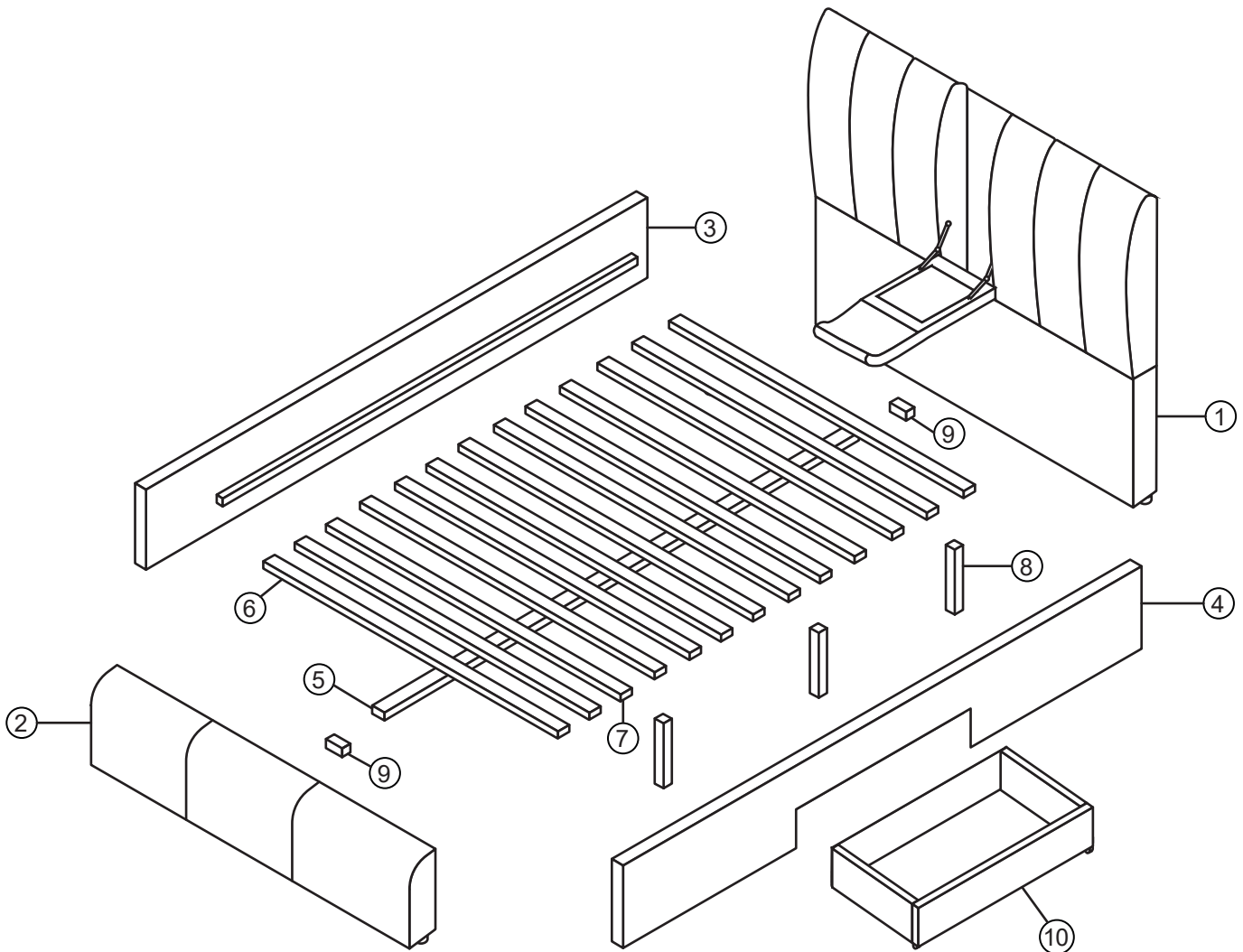
*****Do not fully tighten bolts and screws until fully assembled*****

PART LIST :

BOX#	PART#	DESCRIPTION	QTY
1	1	Headboard	1
2	2	Footboard	1
3	3	Side Rail	1
	4	Side Rail with Drawer Hole	1
	5	Center Rail	1
	6	Slat with 2 Holes	10
	7	Slat with 3 Holes	3
	8	Leg Support	3
	9	Center Rail Support	2
4	10	Drawer	1

HARDWARE LIST :

NO	DESCRIPTION	QTY
A	Allen Key With Ball	1
B	JCBC Bolt M6 x 30mm	8
C	JCBC Bolt M6 x 60mm	7
D	CSK Screw M4 x 32mm	28
E	Spring Washer M6 x 13 x 1.0	8
F	Flat Washer Medium M7 x 19 x 2.0	8
G	Adjuster	3



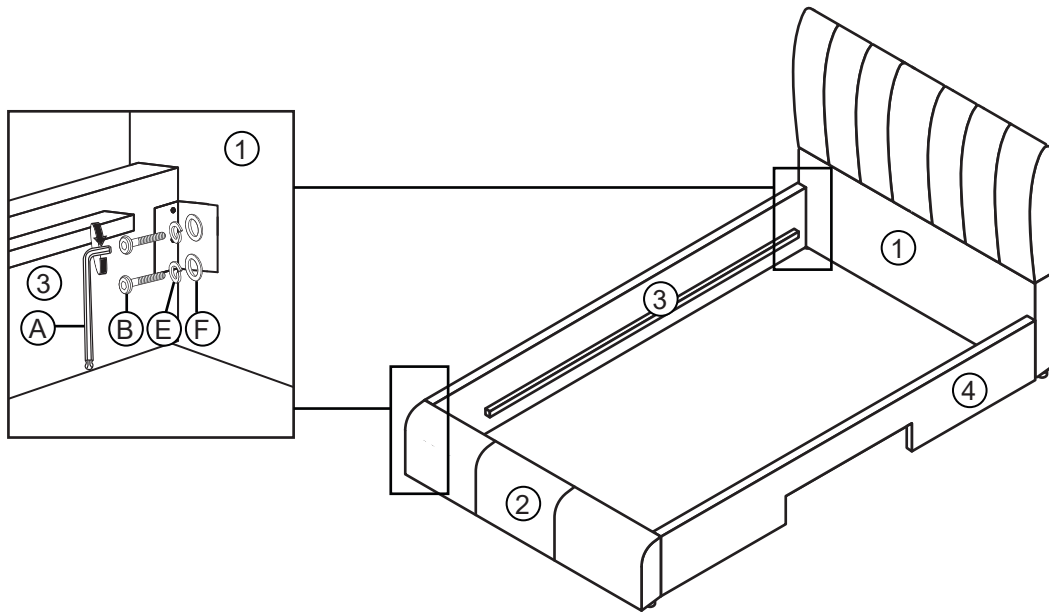
Attention:

*** Some number parts listed on the instruction sheet may not be in parts bag as they may already be assembled. Carefully check parts and packing materials prior to ordering replacements.

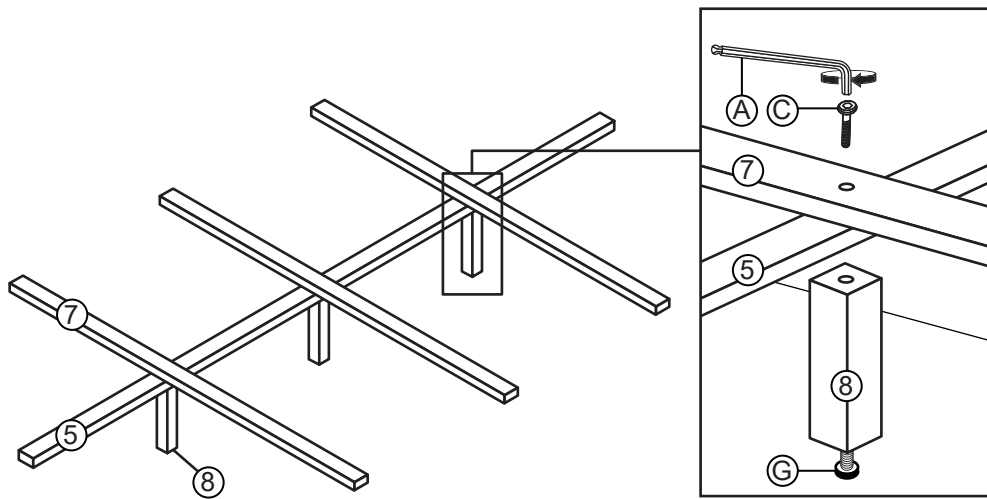
Revised Date: 28 / 11 / 2018

HOW TO ASSEMBLE :

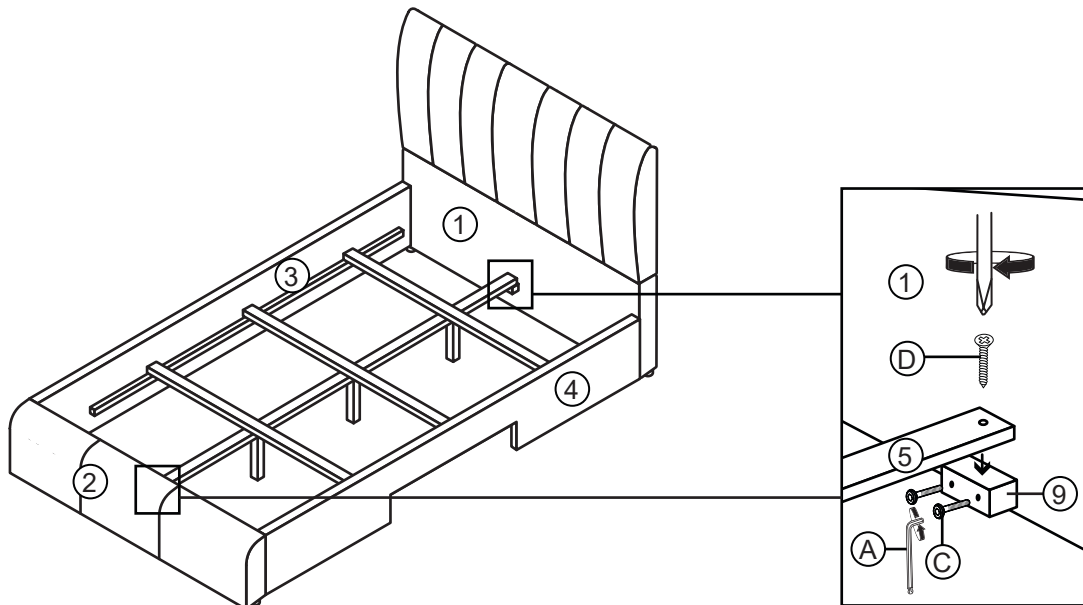
STEP: 1



STEP: 2

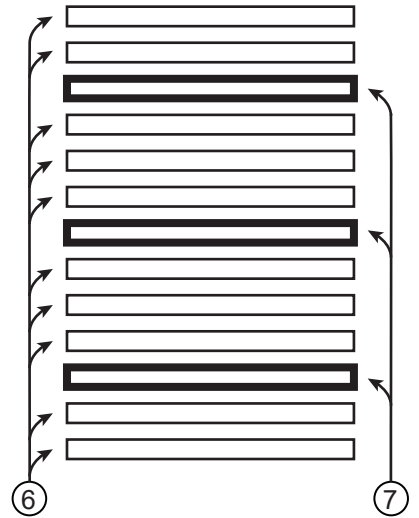
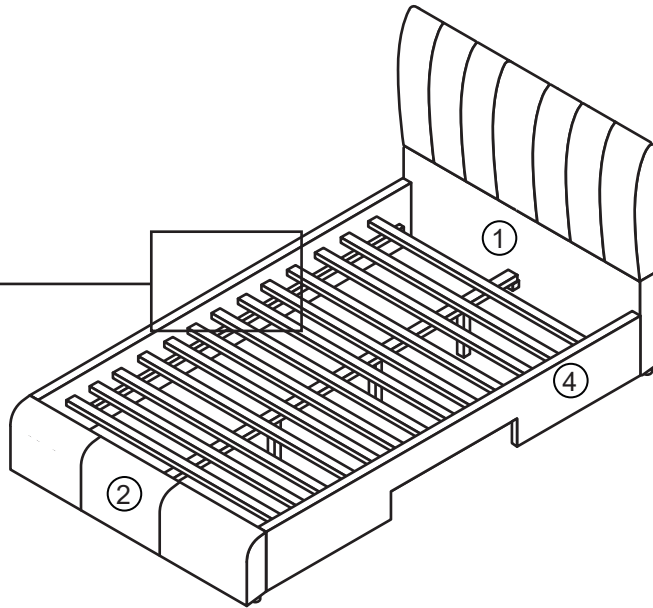
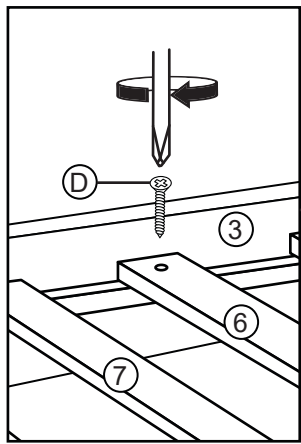


STEP: 3

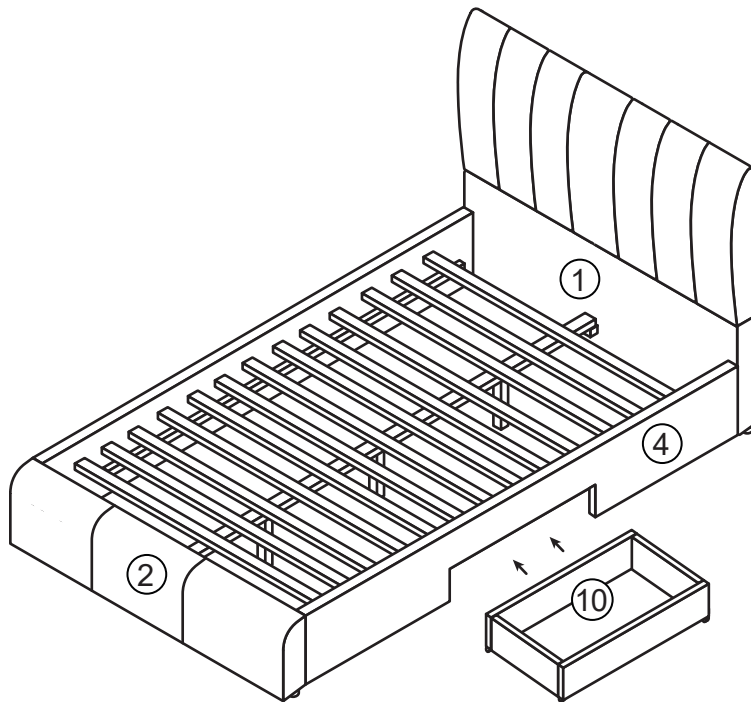


HOW TO ASSEMBLE :

STEP: 4



STEP: 5



ASSEMBLY COMPLETE

