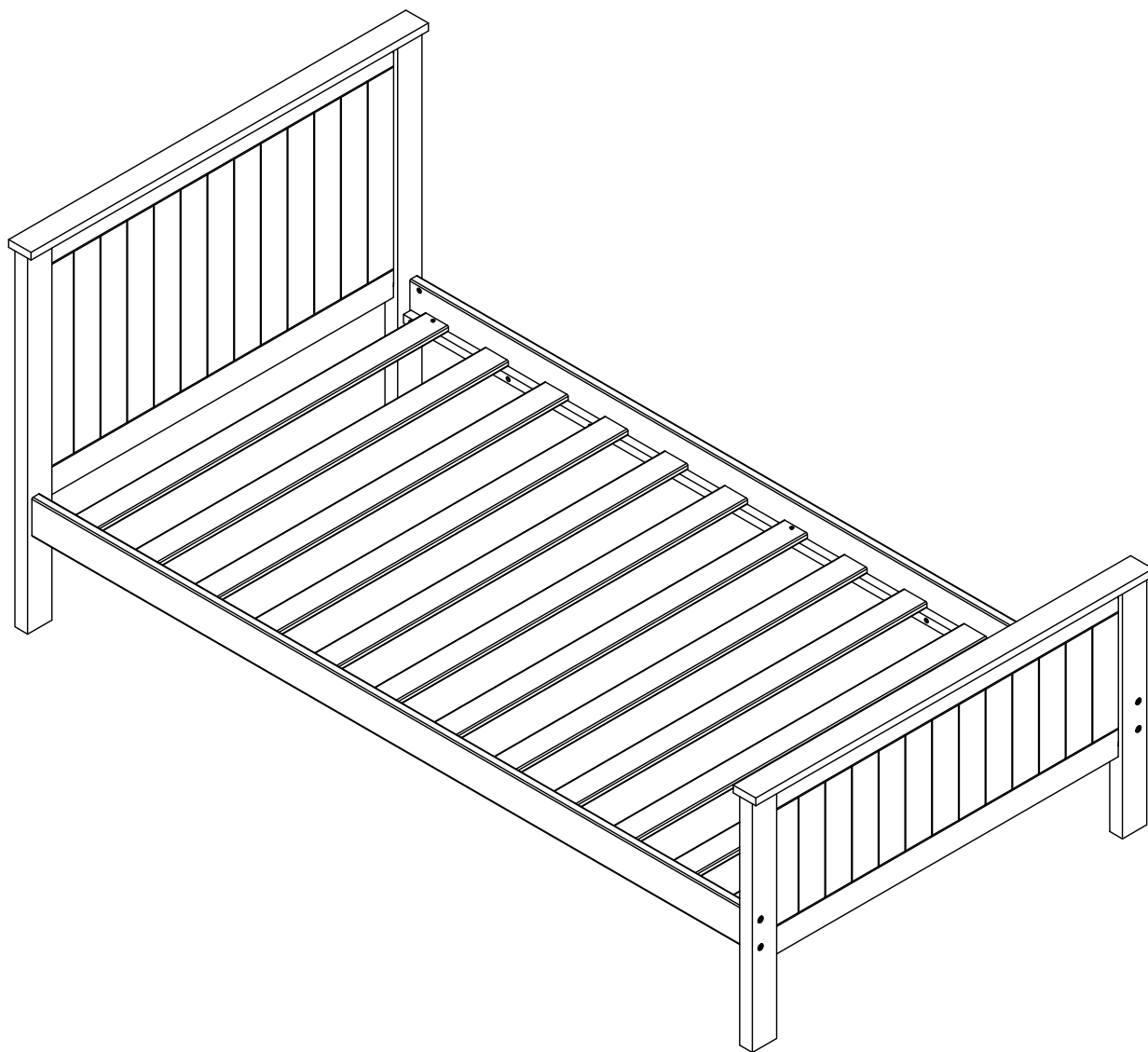


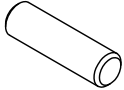
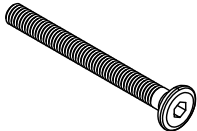


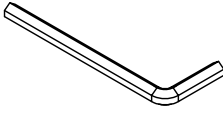

# ASSEMBLY INSTRUCTION

MODEL : 30025T/BD00494 TWIN BED (990 x 1905)MM

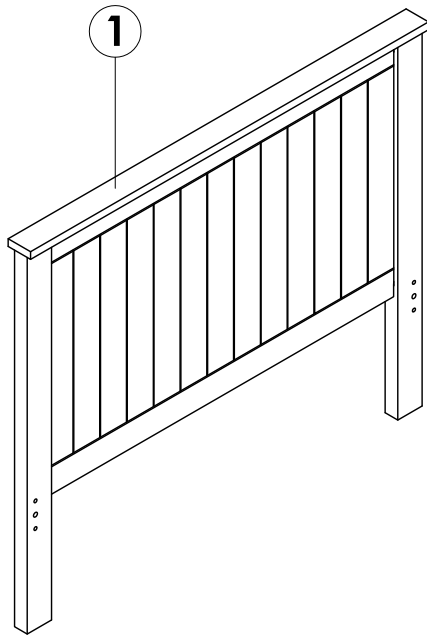
ACME FURNITURE



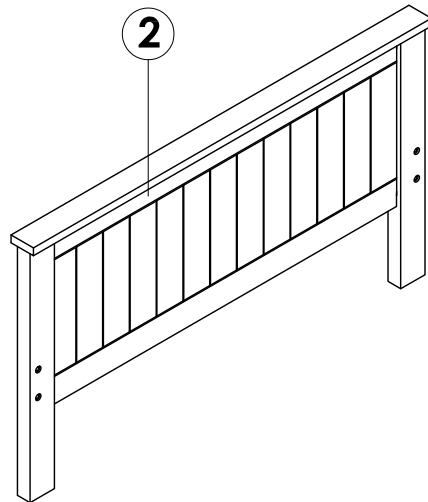
## HARDWARE LIST

<p><b>A</b> <span style="float: right;"><b>4 PCS</b></span></p>  <p>PLASTIC DOWEL (M10 x 35MM)</p>	<p><b>B</b> <span style="float: right;"><b>8 PCS</b></span></p>  <p>JCBC BOLT (M6 x 60MM)</p>	<p><b>C</b> <span style="float: right;"><b>8 PCS</b></span></p>  <p>JRN NUT (M6 x 13MM)</p>
<p><b>D</b> <span style="float: right;"><b>6 PCS</b></span></p>  <p>CSK C/B SCREW (M4 x 32MM)</p>	<p><b>E</b> <span style="float: right;"><b>1 PC</b></span></p>  <p>ALLEN KEY (M4 x 60MM)</p>	 <p><b>Do not recommend the use of power drills/drivers for inserting bolts/screws as this could damage the unit.</b></p> <p><b>Tools Required :</b> Crosshead Screw Driver</p>

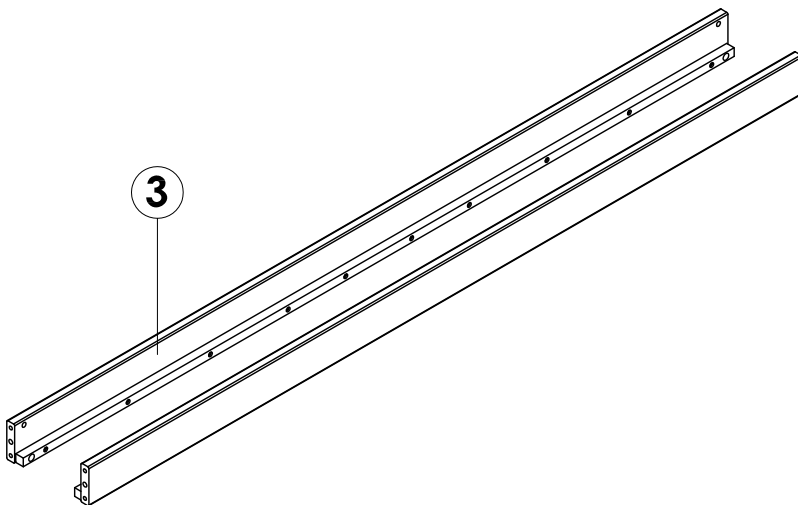
## PART LIST



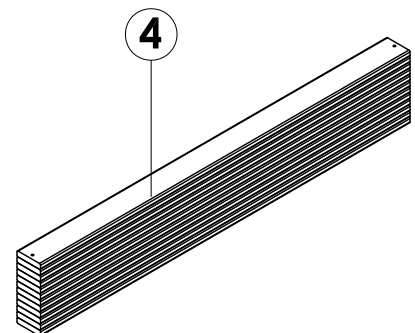
**HEADBOARD**  
1 PC / SET  
(CARTON 1 OF 2)



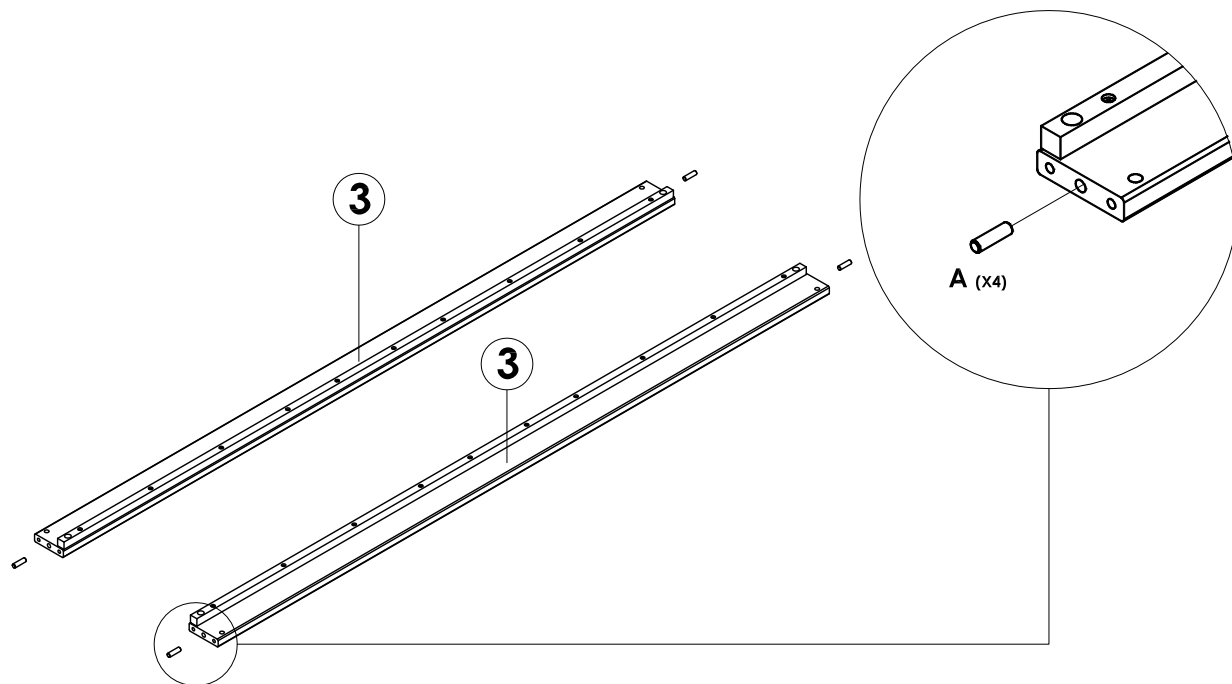
**FOOTBOARD**  
1 PC / SET  
(CARTON 1 OF 2)



**SIDE RAIL**  
2 PCS / SET  
(CARTON 2 OF 2)

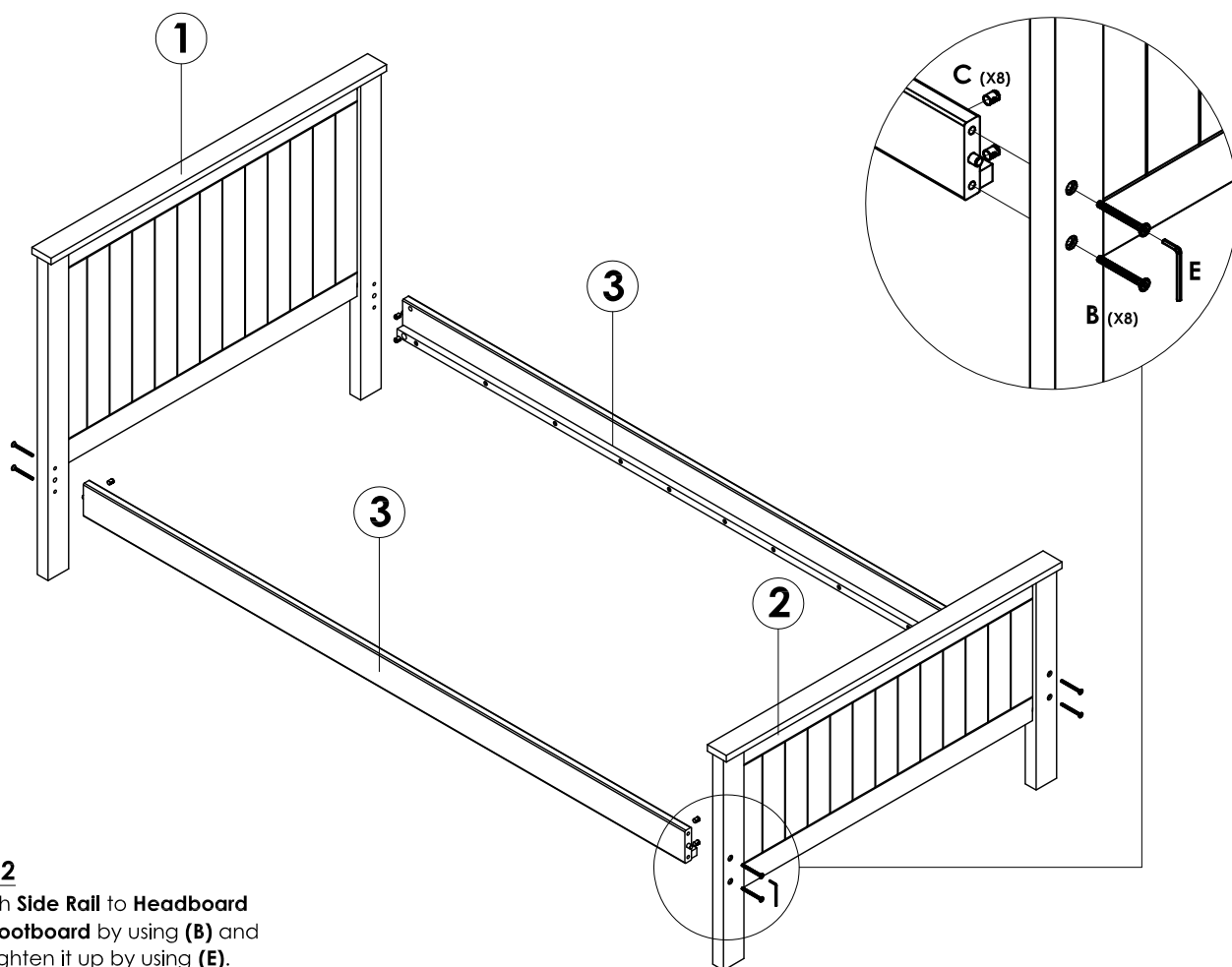


**WOODEN SLAT**  
12 PCS / SET  
(CARTON 1 OF 2)



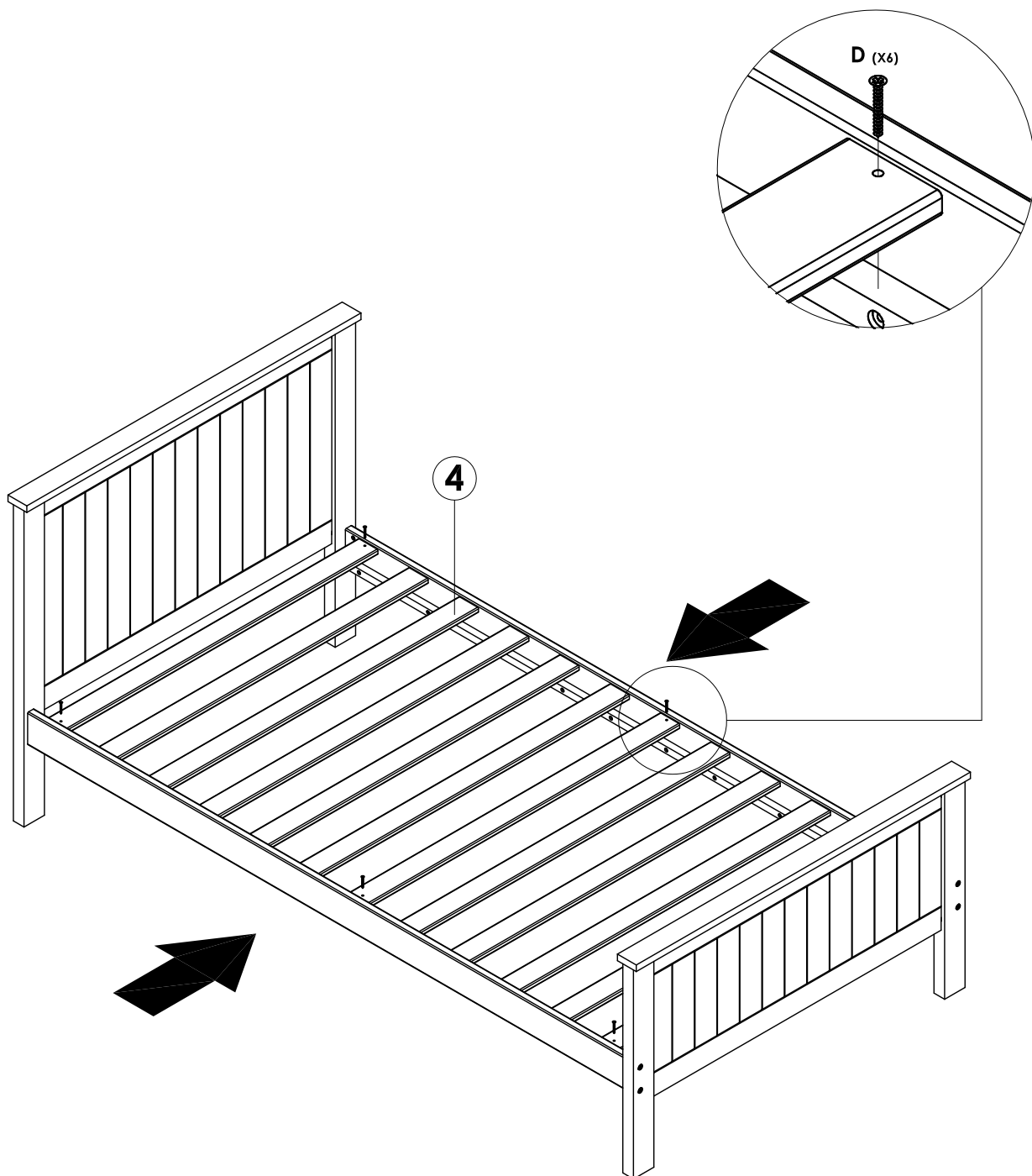
**STEP 1**

Insert **(A)** into Ø10MM holes on both **Side Rail**.



**STEP 2**

Attach **Side Rail** to **Headboard** and **Footboard** by using **(B)** and **(C)**, tighten it up by using **(E)**.



### STEP 3

Attach and secure **Wooden Slat** onto both **Side Rail** by using **(D)**, tighten it up by using a Crosshead Screw Driver.

*\*Align both **Side Rail** before tightening the screws.*