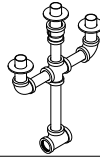
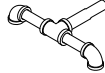
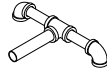


ASSEMBLY INSTRUCTION FOR ACME FURNITURE



MODEL# AC00433 Candleholder

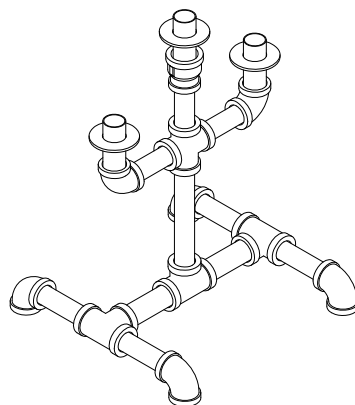
Thank you for purchasing this quality product. Be sure to check all packing materials carefully for small parts which may have come loose inside the carton during shipment. Separate, identify, and count all parts and metal hardware. Compare with parts list to be sure all parts are present. If any part(s) are missing or damaged, please contact your local furniture dealer. For efficient and speedy service, please indicate the model number and code letter of the part(s) needed.

***** Do not fully tighten screws until fully assembled *****

COMPONENT PARTS		
DECERPTION	PART NAME	Q'TY(PCS)
①	Candleholder 	1pc
②	Left Foot 	1pc
③	Right Foot 	1pc

HARDWARE REQUIRED:

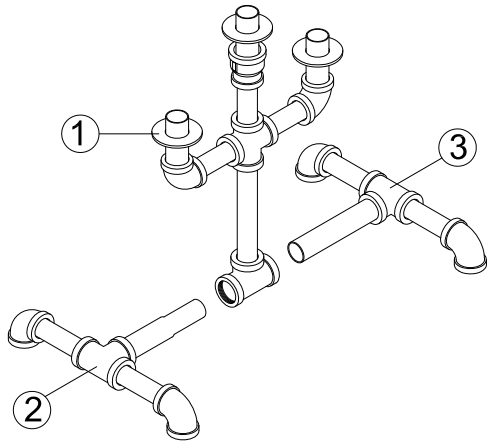
Ⓐ 	Bolt 1/4"x 5/8" - 2pcs
Ⓑ 	Allen Wrench M4 - 1pc



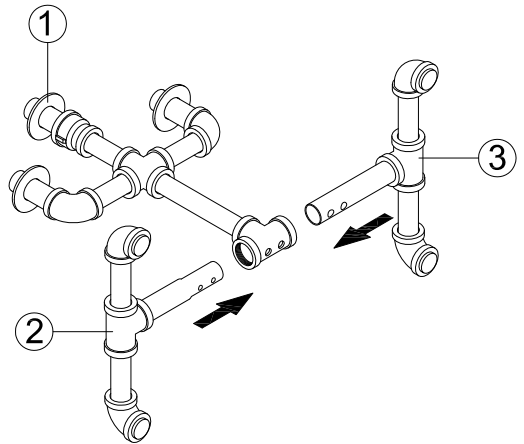
How to Assemble:

STEP 1.

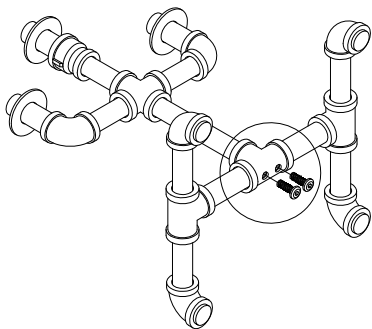
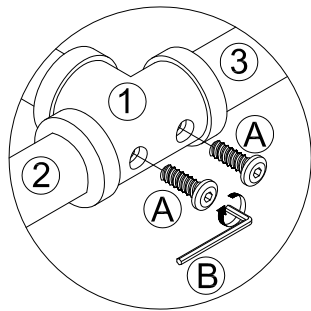
Exploded View



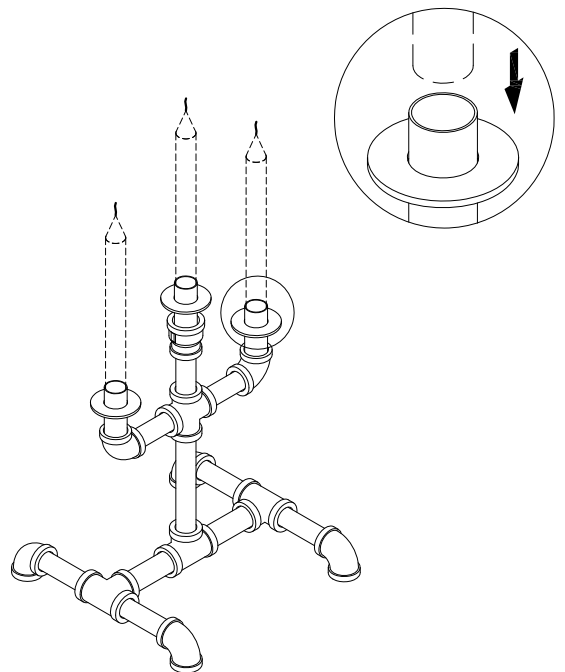
STEP 2.



STEP 3.



STEP 4.



A  2pcs