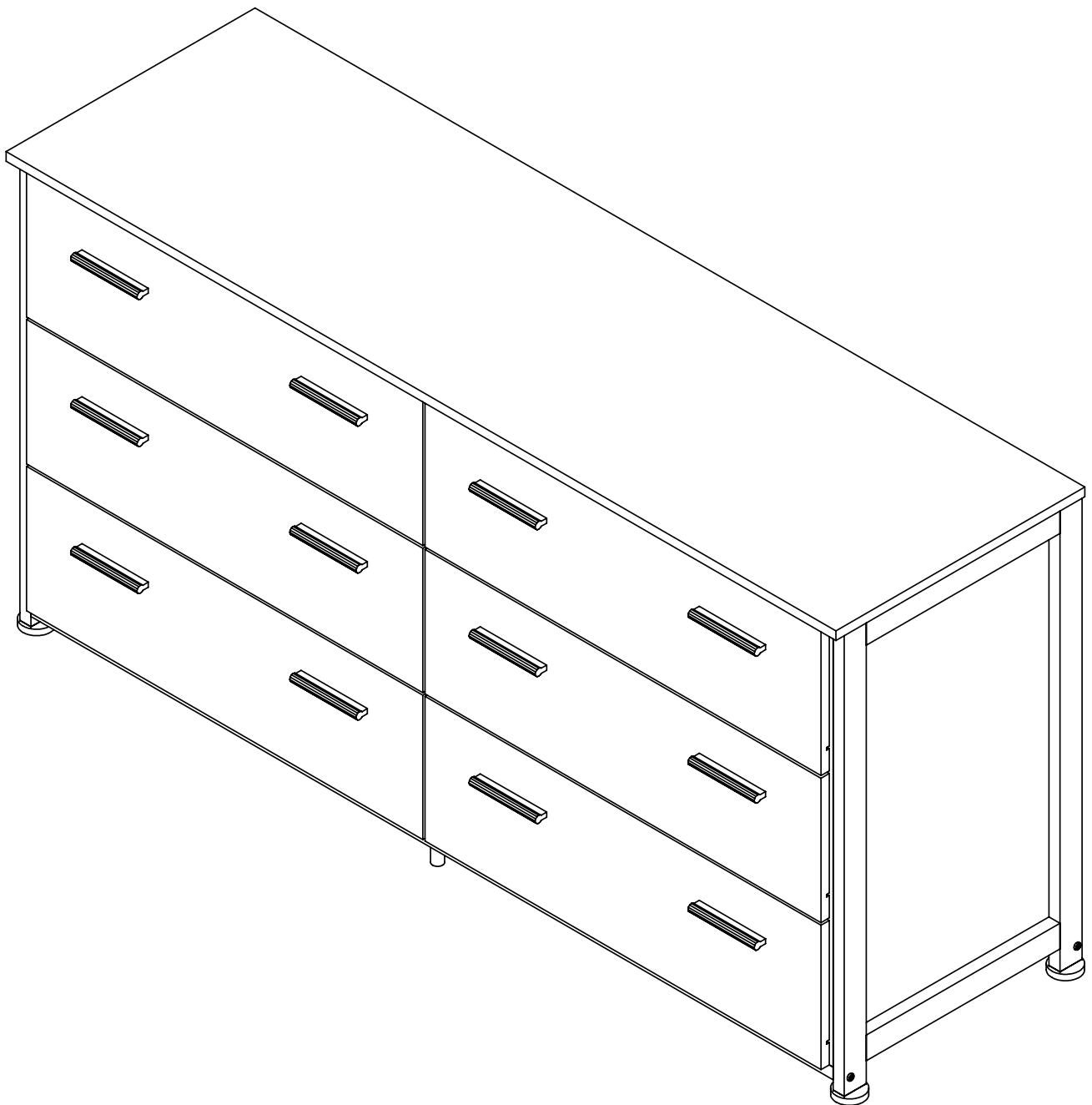


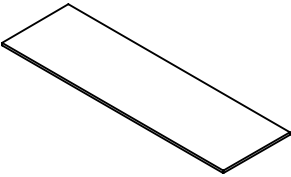
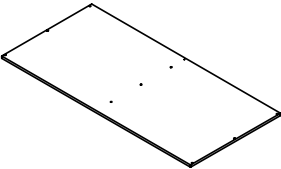
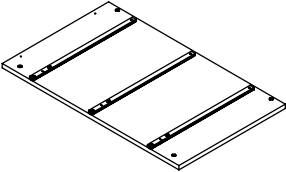
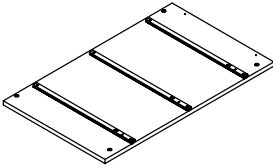
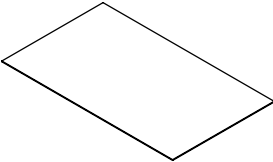
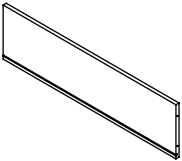
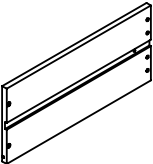
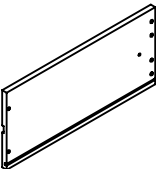
ASSEMBLY INSTRUCTION FOR ACME FURNITURE

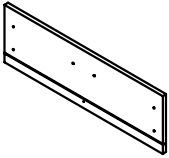
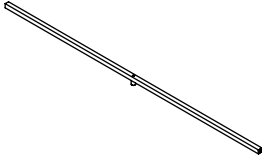
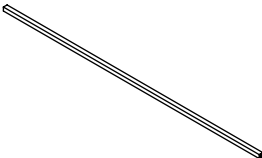
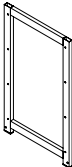

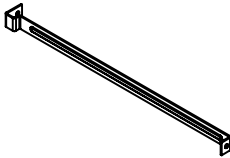
MODEL#24265

Thank you for purchasing the quality product. Be sure to check all packing material carefully for small parts which may have come loose inside the carton during shipment. Separate, identify and count all parts and metal hardware. Compare with all parts list to be sure all parts are present. If any part(s) are missing or damaged, please contact your local furniture dealer. For efficient and speedy service, please indicate the model number and code letter of part(s) needed.



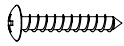
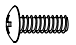



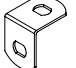
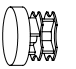
** Do not fully tighten screws until fully assembled **

COMPONENT PARTS		
DESCRIPTION	PART NAME	QTY(PCS)
①	TOP PANEL 	1
②	REAR PANEL 	1
③	LEFT SIDE PANEL 	1
④	RIGHT SIDE PANEL 	1
⑤	(DRAWER) BOTTOM PANEL 	6
⑥	(DRAWER) REAR PANEL 	6
⑦	(DRAWER) SIDE PANEL-L 	6
⑧	(DRAWER) SIDE PANEL-R 	6

<p>⑨</p>	<p>(DRAWER) FRONT PANEL</p> 	<p>6</p>
<p>⑩</p>	<p>FRONT SUPPORT TUBE</p> 	<p>1</p>
<p>⑪</p>	<p>BACK SUPPORT TUBE</p> 	<p>1</p>
<p>⑫</p>	<p>SIDE FRAME</p> 	<p>2</p>
<p>⑬</p>	<p>E-SHAPE SUPPORT FOR DRAWER</p> 	<p>1</p>
<p>⑭</p>	<p>DRAWER BOTTOM FASTENING</p> 	<p>6</p>

HARDWARE REQUIRED

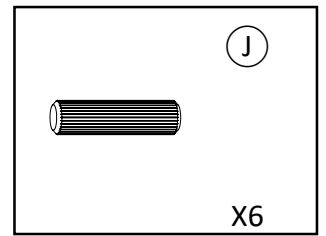
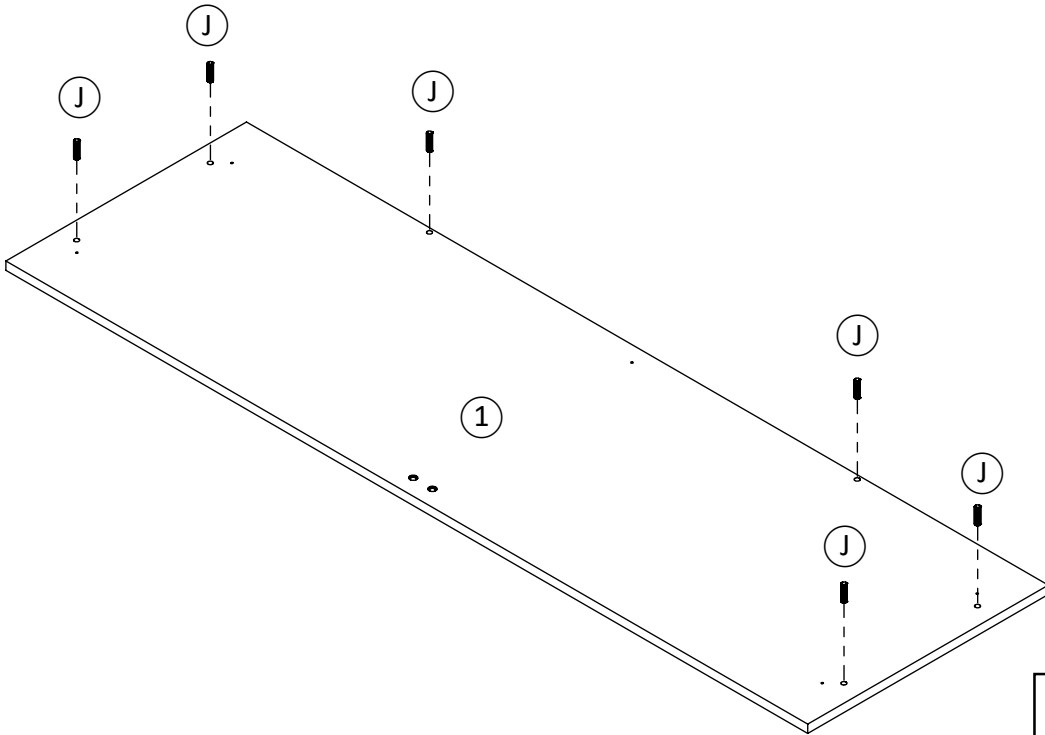
<p>Ⓐ</p>		<p>ALLEN BOLT</p>	<p>M6X40MM</p>	<p>8</p>	<p>PCS</p>
<p>Ⓑ</p>		<p>ALLEN BOLT</p>	<p>M6X25MM</p>	<p>8</p>	<p>PCS</p>
<p>Ⓒ</p>		<p>ALLEN BOLT</p>	<p>M6X12MM</p>	<p>2</p>	<p>PCS</p>
<p>Ⓓ</p>		<p>ALLEN SCREW</p>	<p>M5X40MM</p>	<p>6</p>	<p>PCS</p>
<p>Ⓔ</p>		<p>PHILLIPS SCREW</p>	<p>M4X32MM</p>	<p>24</p>	<p>PCS</p>

(F)		PHILLIPS SCREW	M6X14MM	24	PCS
(G)		PHILLIPS SCREW	M4X21MM	24	PCS
(H)		PHILLIPS SCREW	M4X12MM	22	PCS
(I)		PHILLIPS SCREW	M4X12MM	12	PCS
(J)		WOODEN PEG		6	PCS
(K)		WASHER		12	PCS
(L)		STUD		4	PCS
(M)		HANDLE		12	PCS
(N)		L-SHAPE SUPPORT		5	PCS
(O)		PLUG		1	PCS
(P)		ALLEN WRENCH		1	PCS
(Q)		PHILLIPS SCREW	M4X15MM	1	PCS
(R)		PHILLIPS SCREW	M4X25MM	1	PCS
(S)		WALL ANCHOR		1	PCS
(T)		WALL MOUNTED STRAP		1	PCS

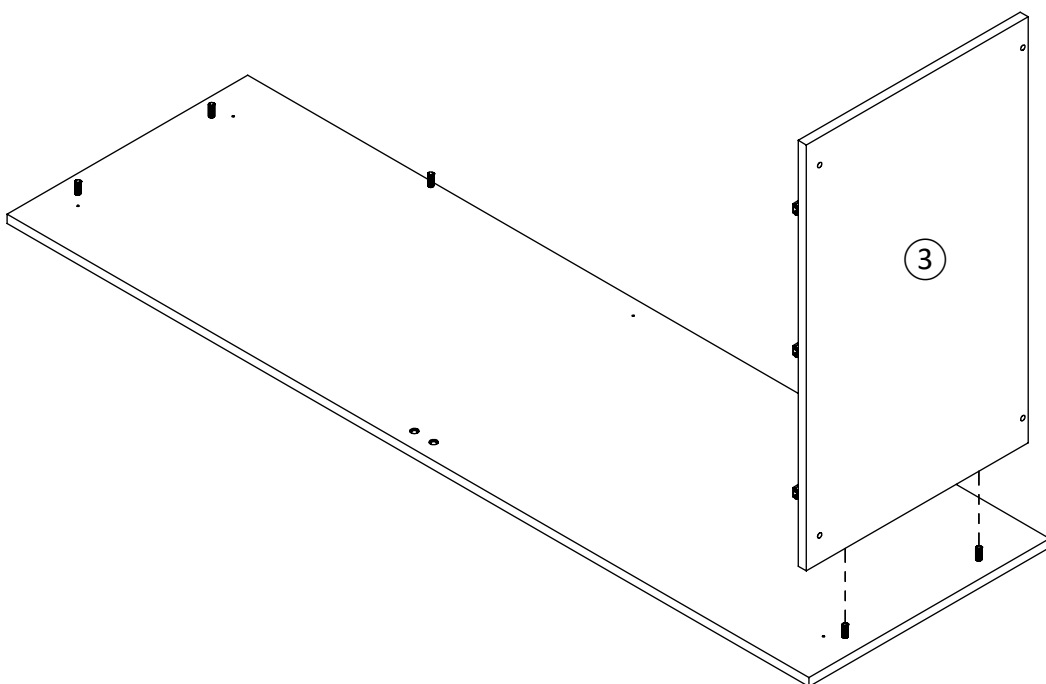
Attention

***Some number parts listed on the instruction sheet may not be in parts bag as they may already be assembled. Carefully check parts and packing materials prior to ordering replacements.

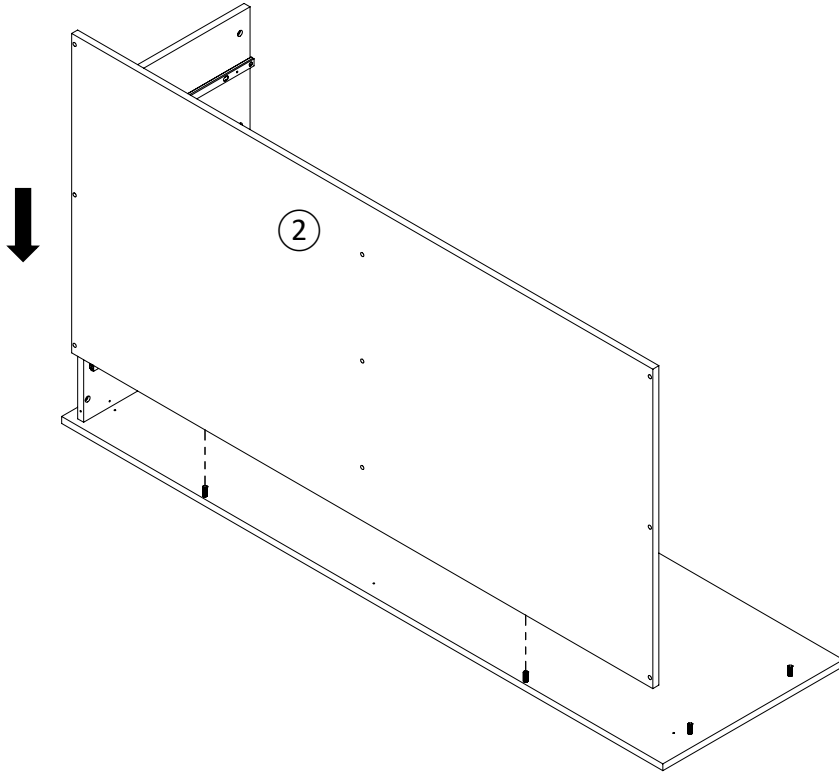
1



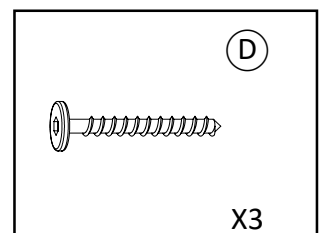
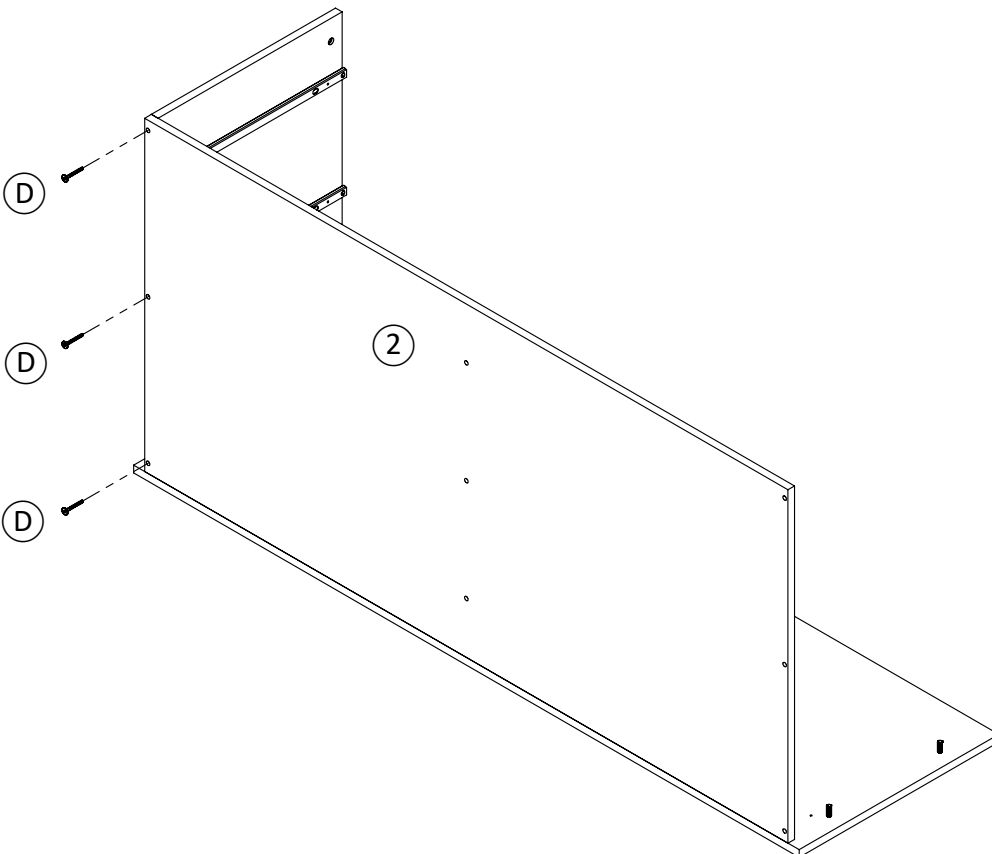
2



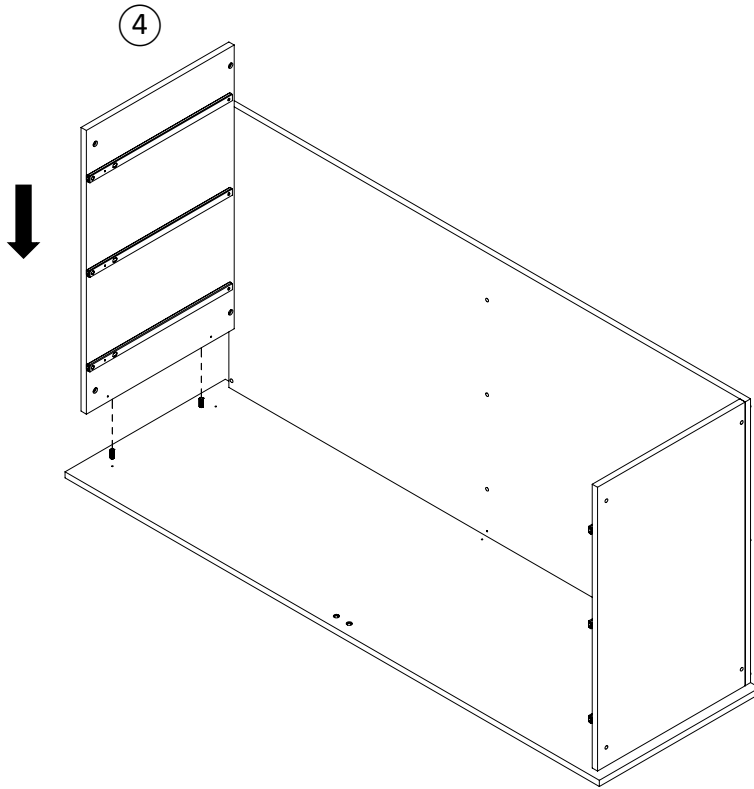
3



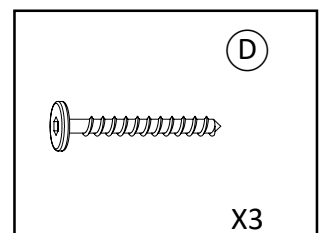
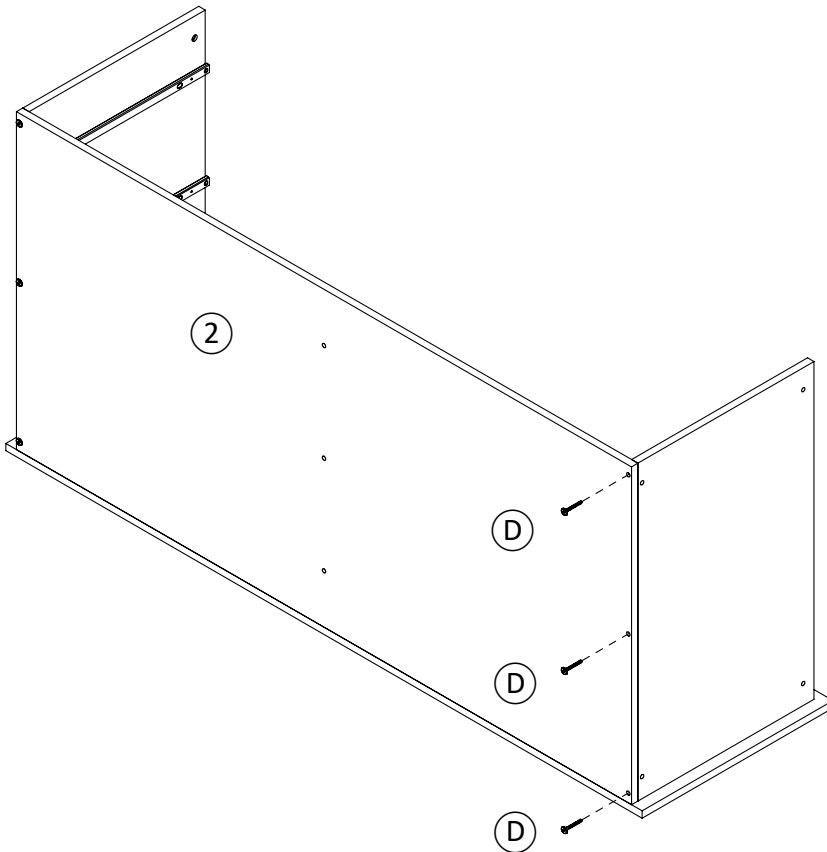
4



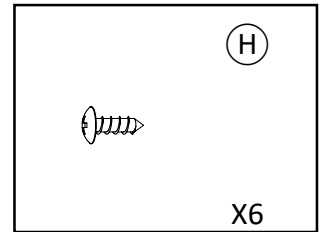
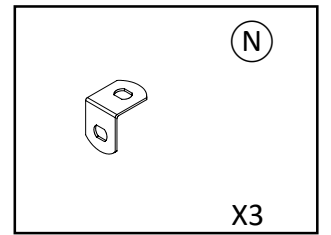
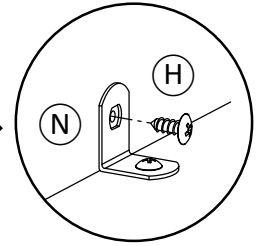
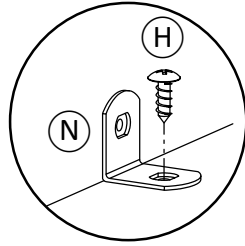
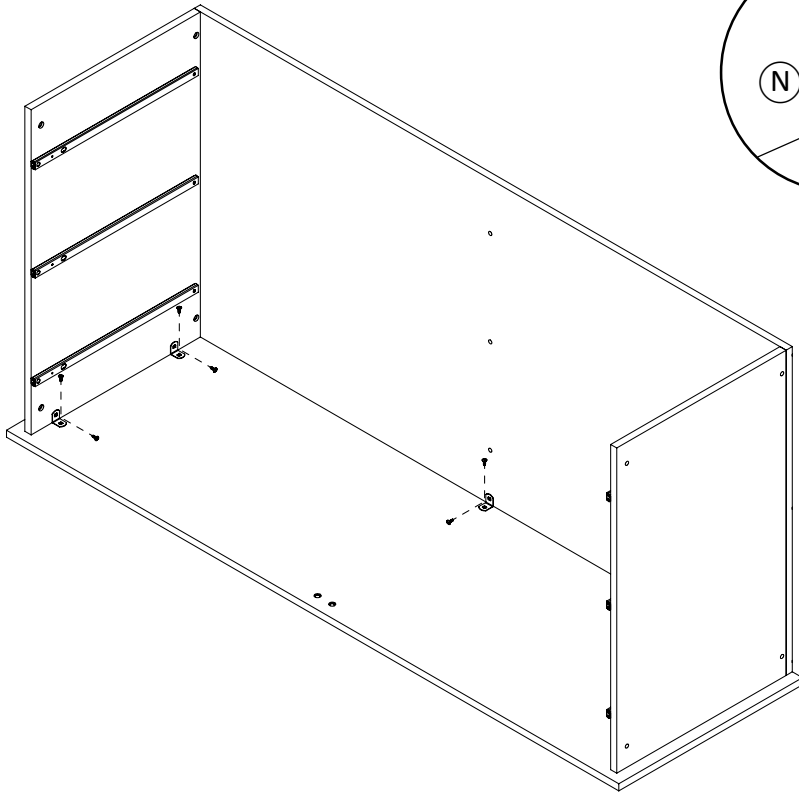
5



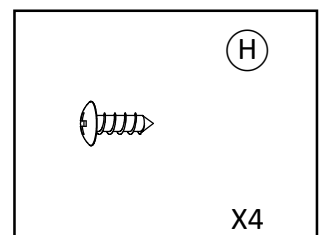
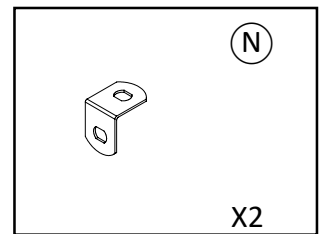
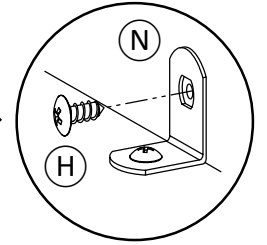
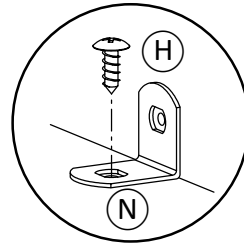
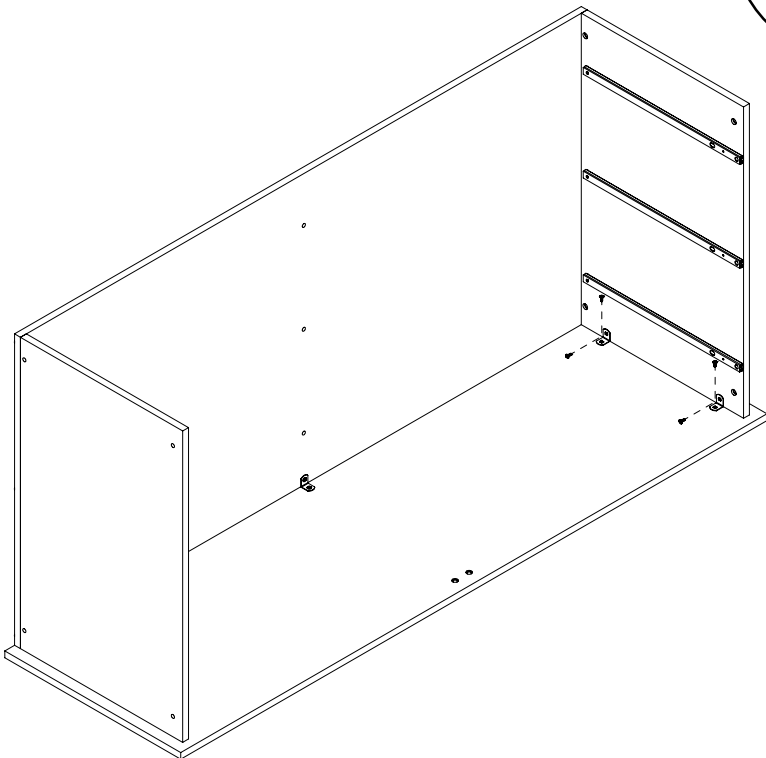
6



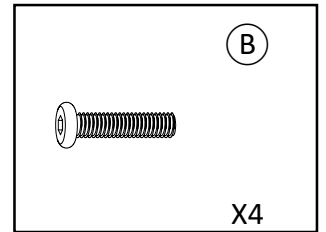
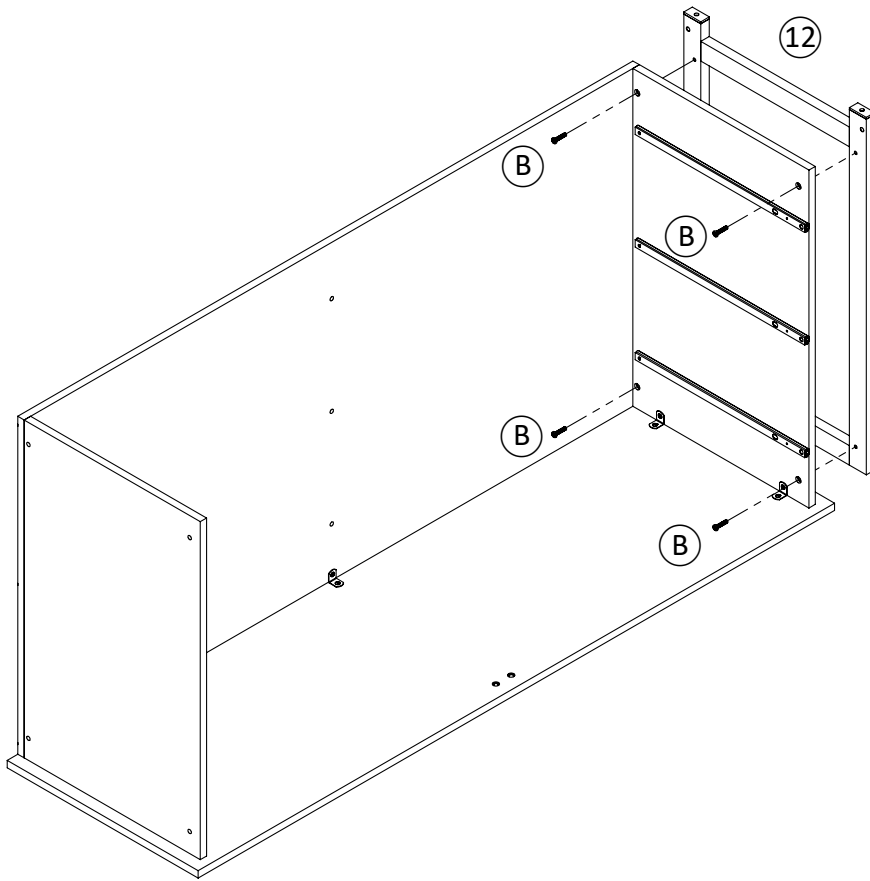
7



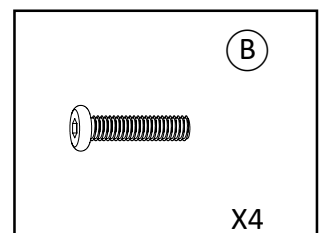
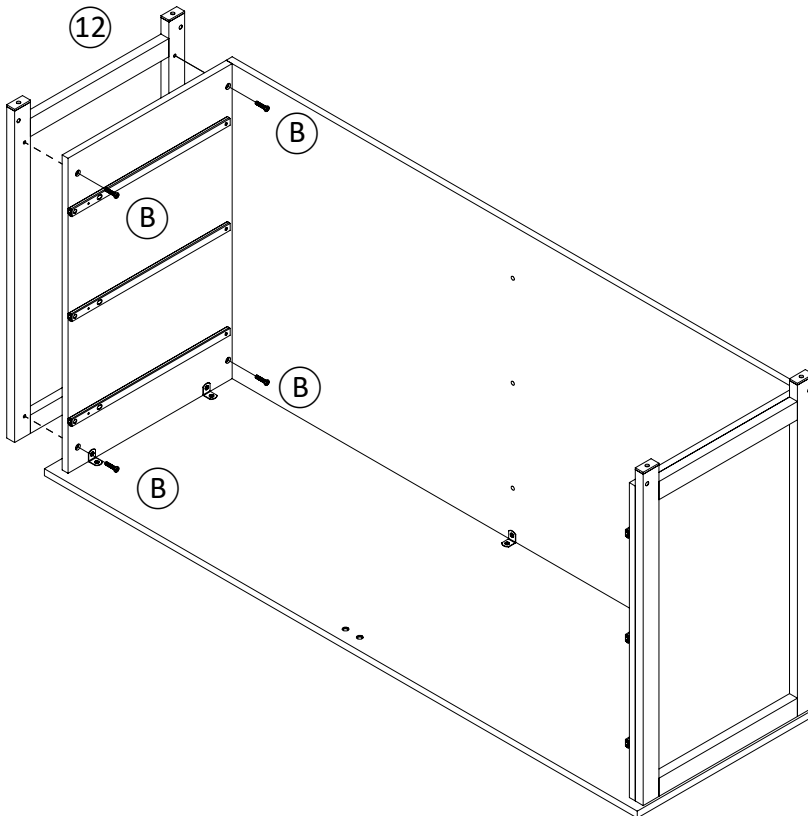
8



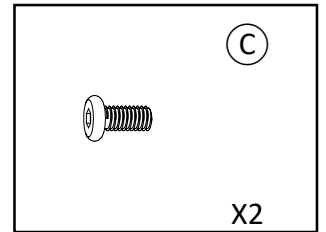
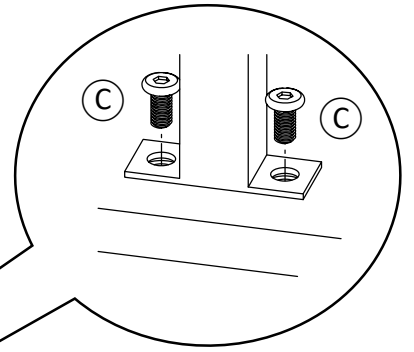
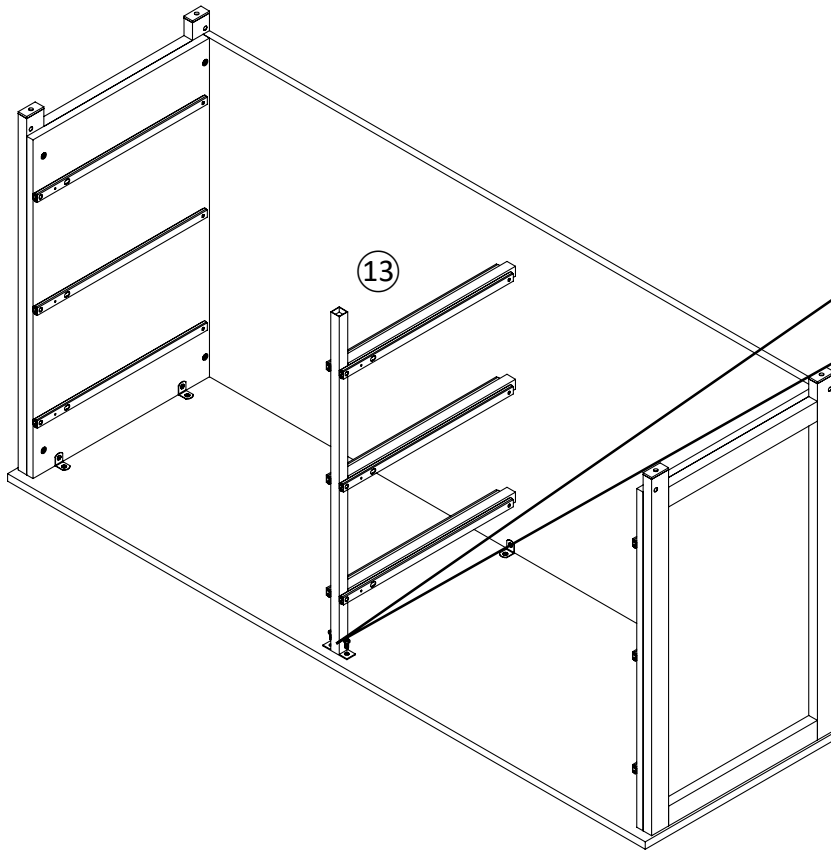
9



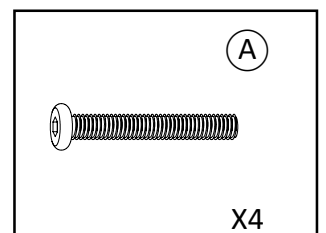
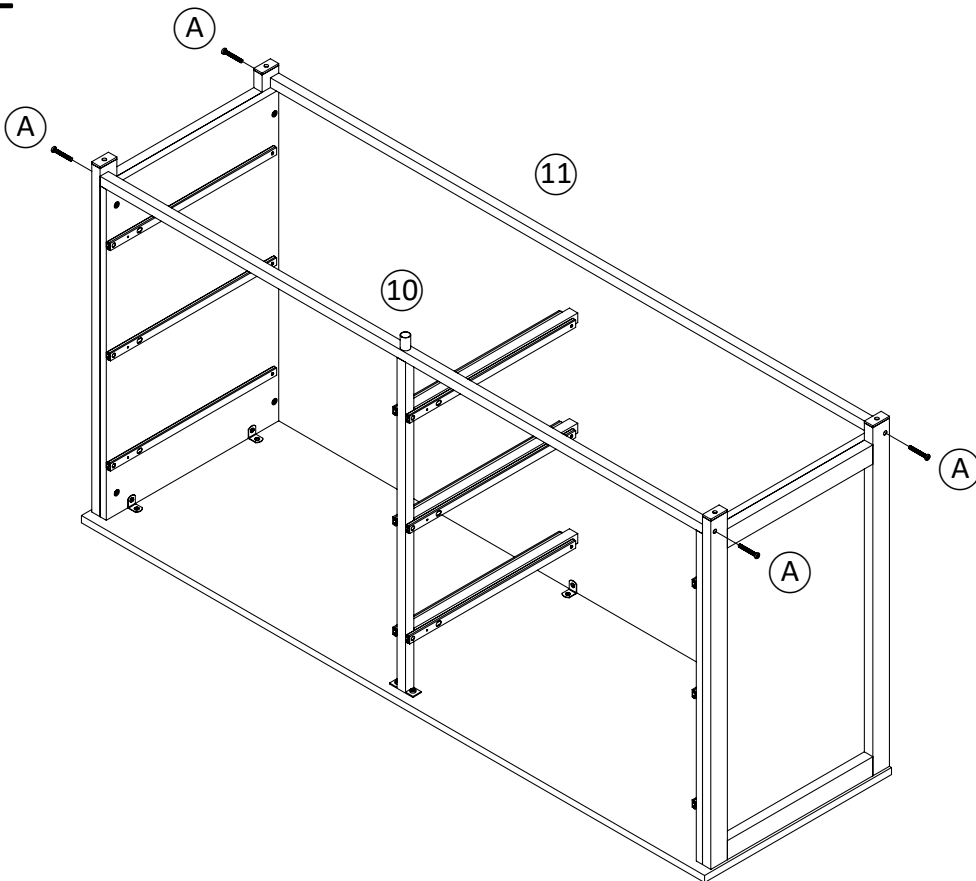
10



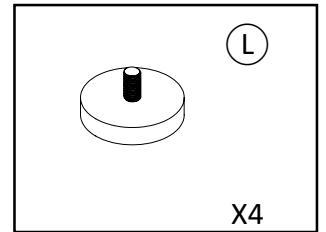
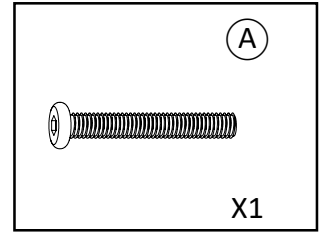
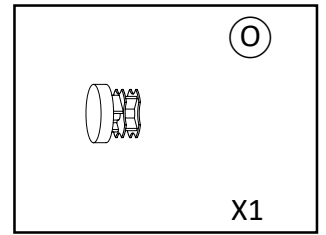
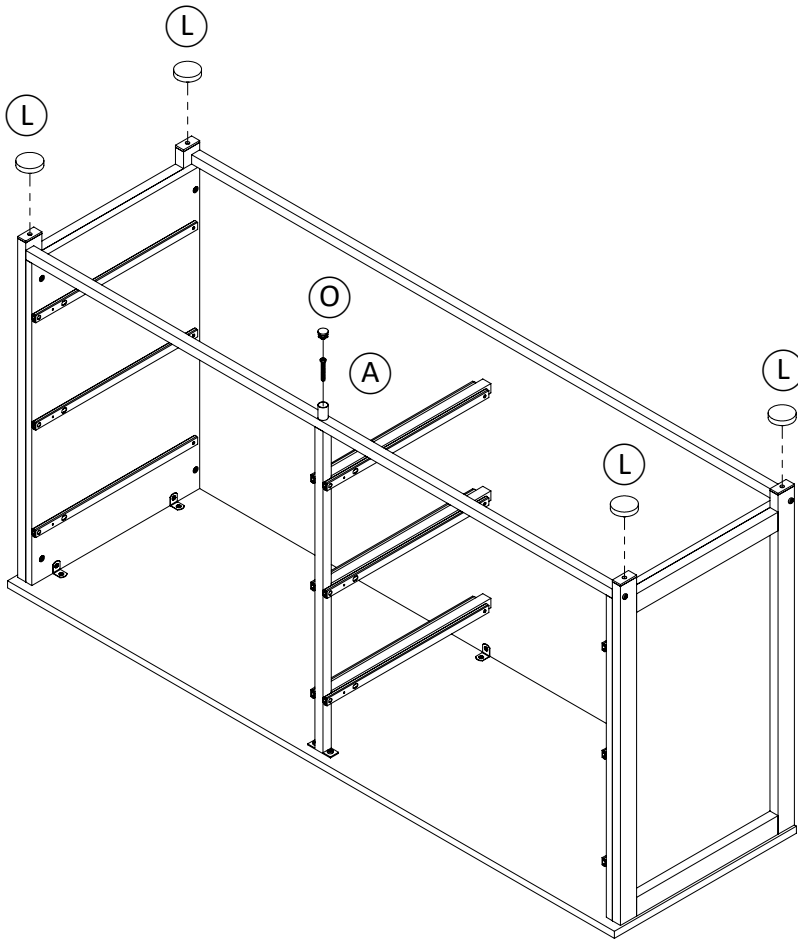
11



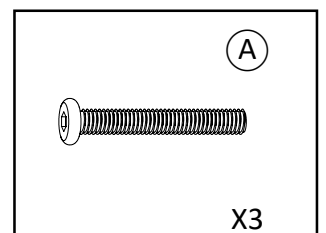
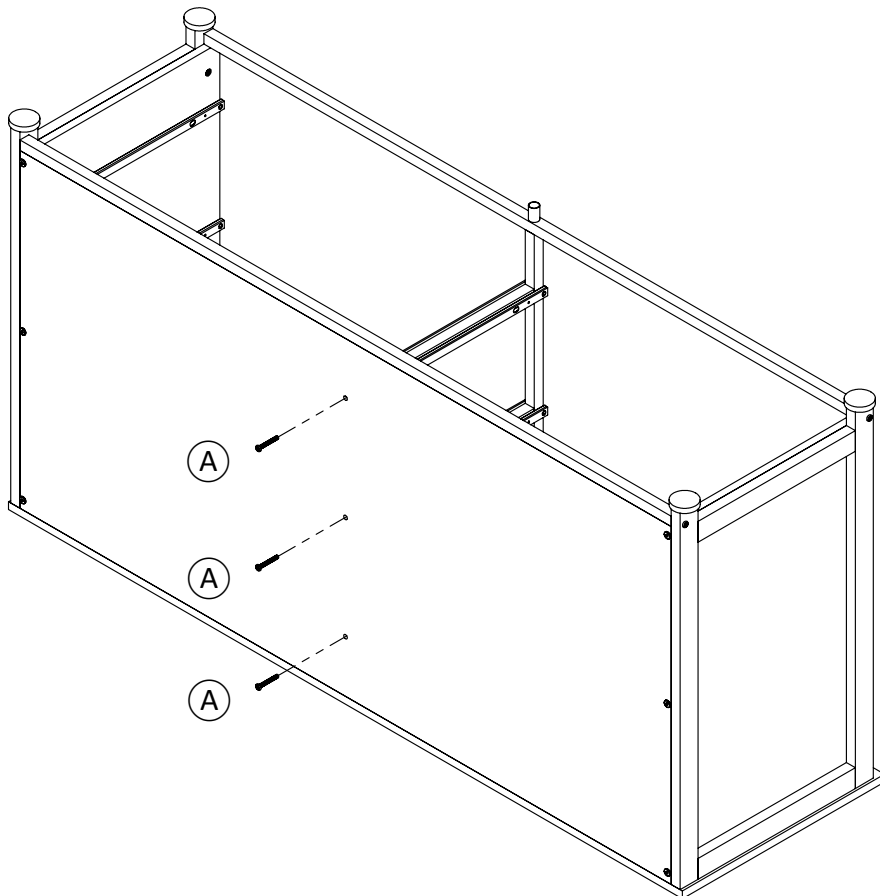
12



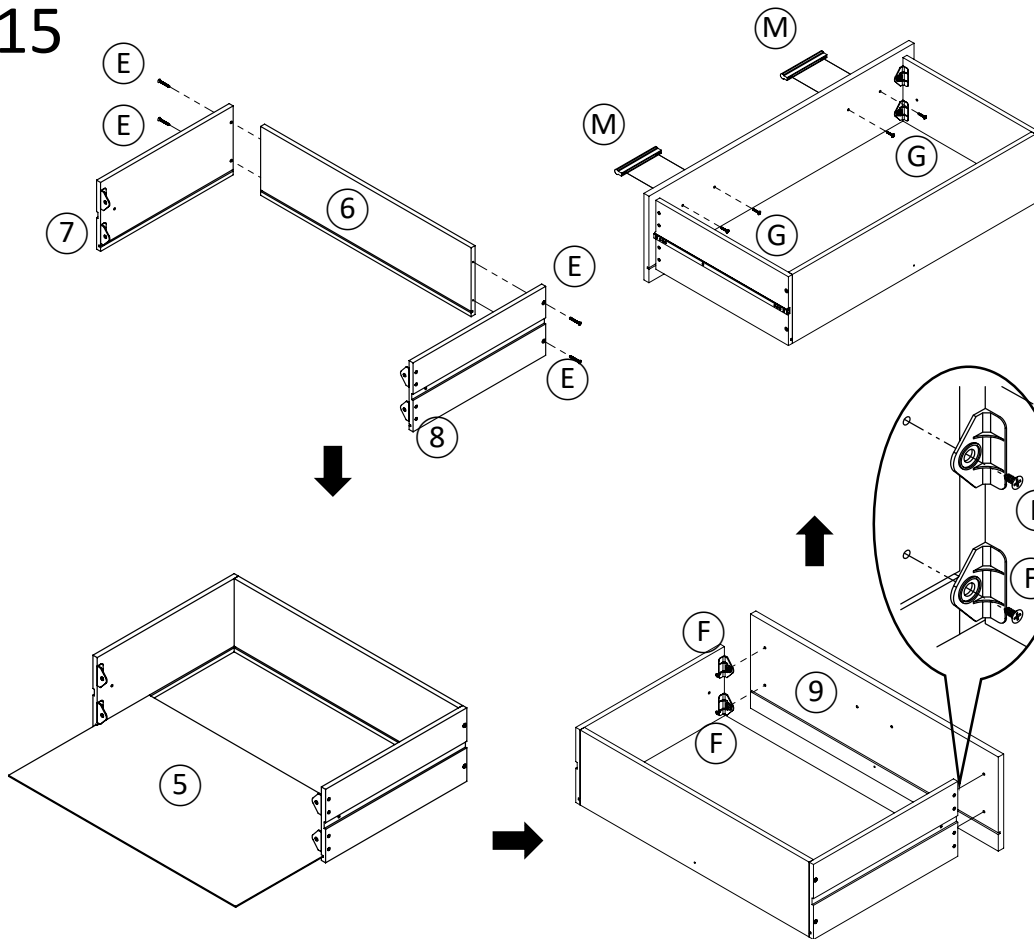
13



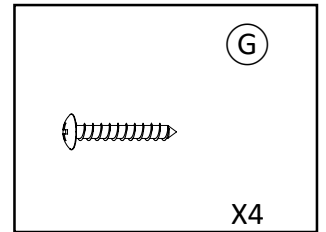
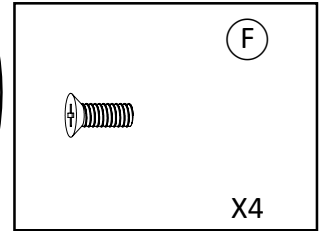
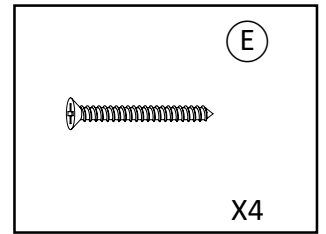
14



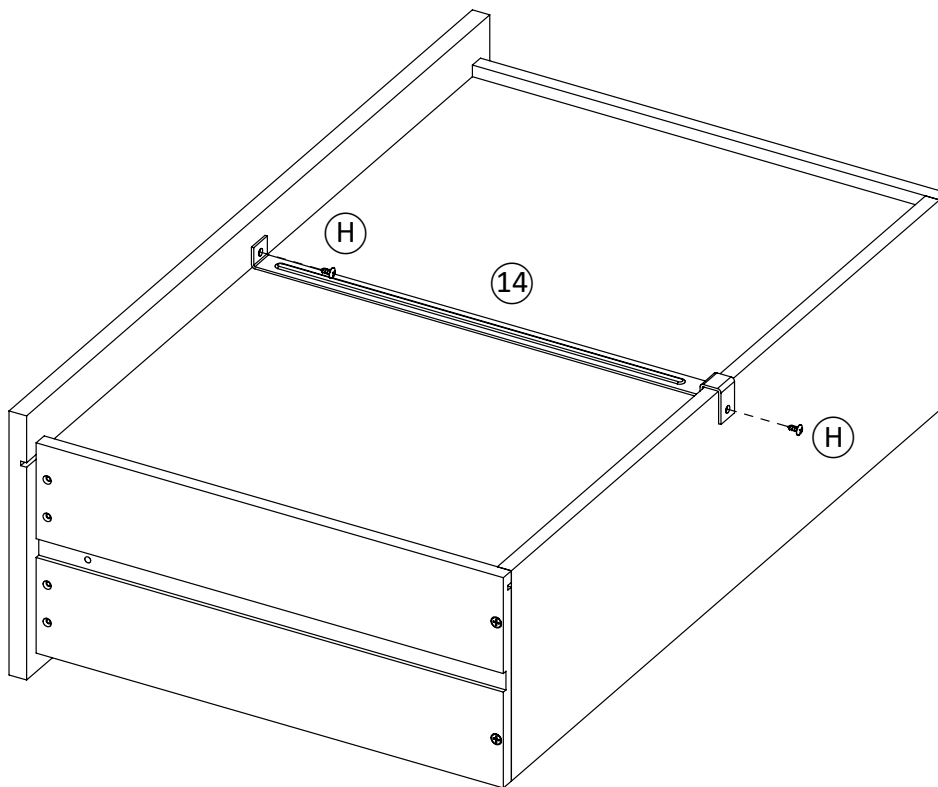
15



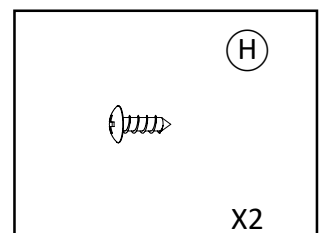
X6



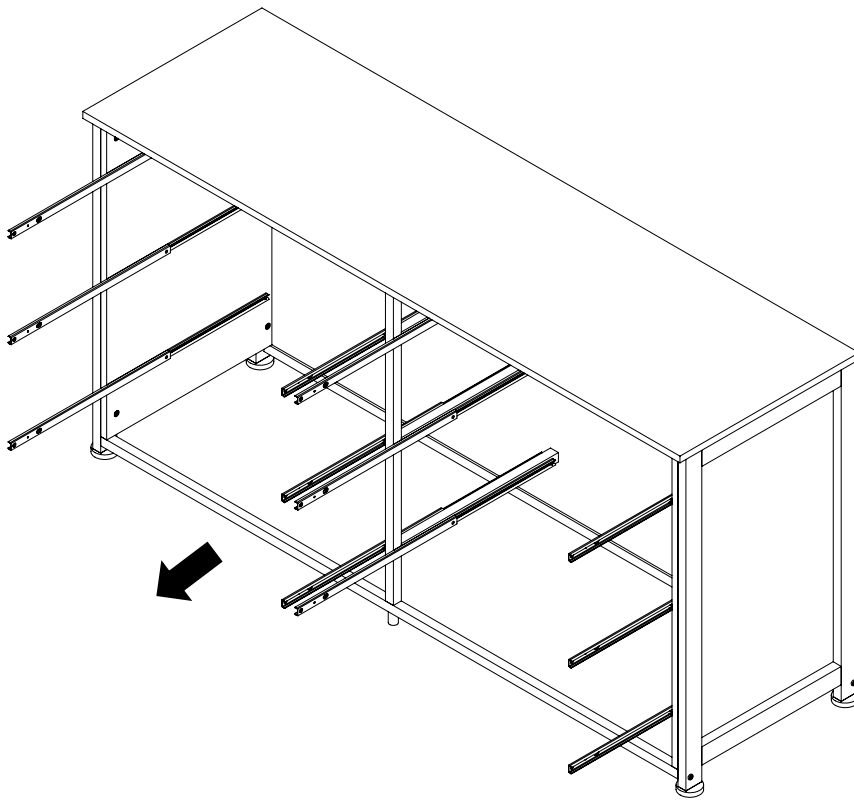
16



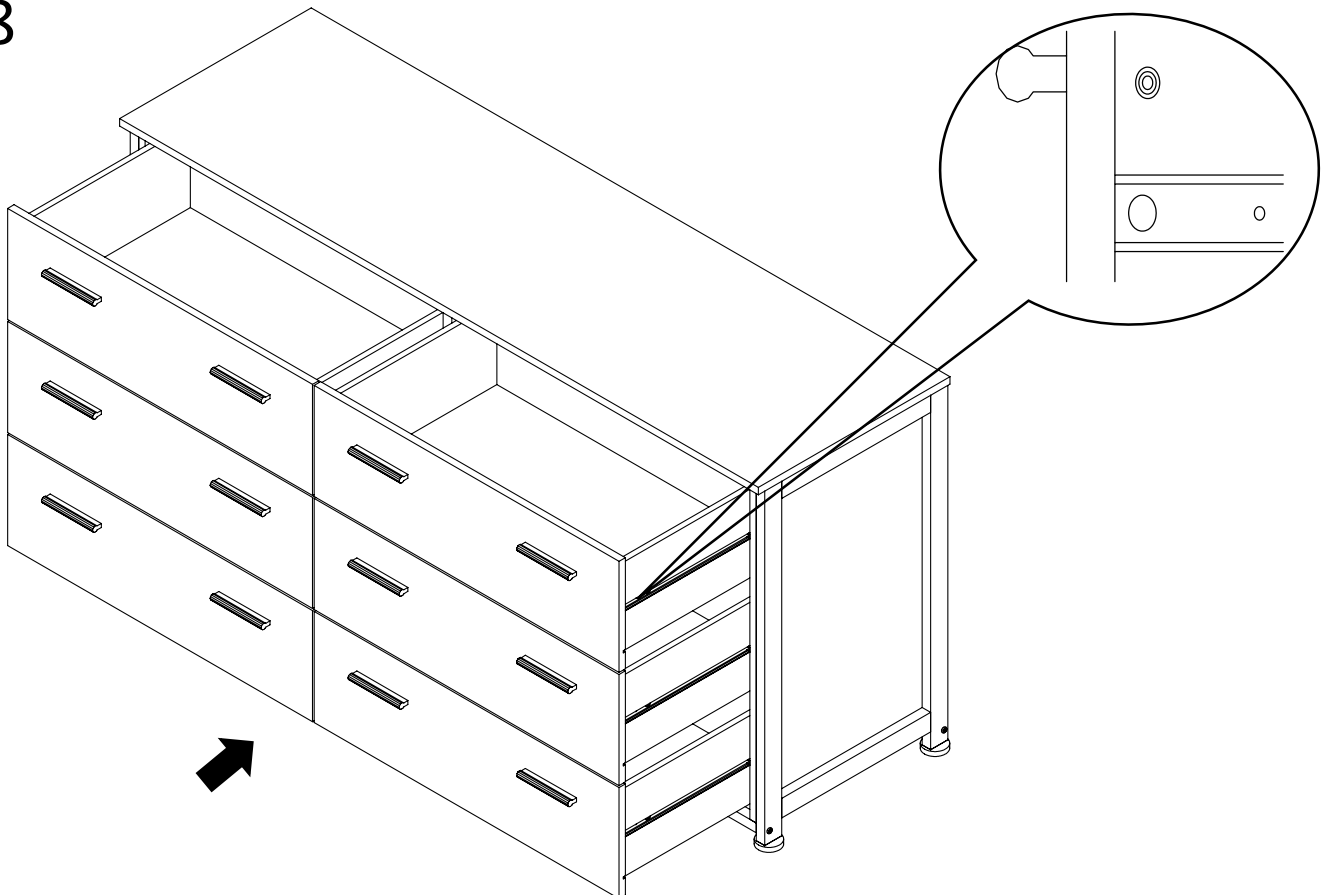
X6



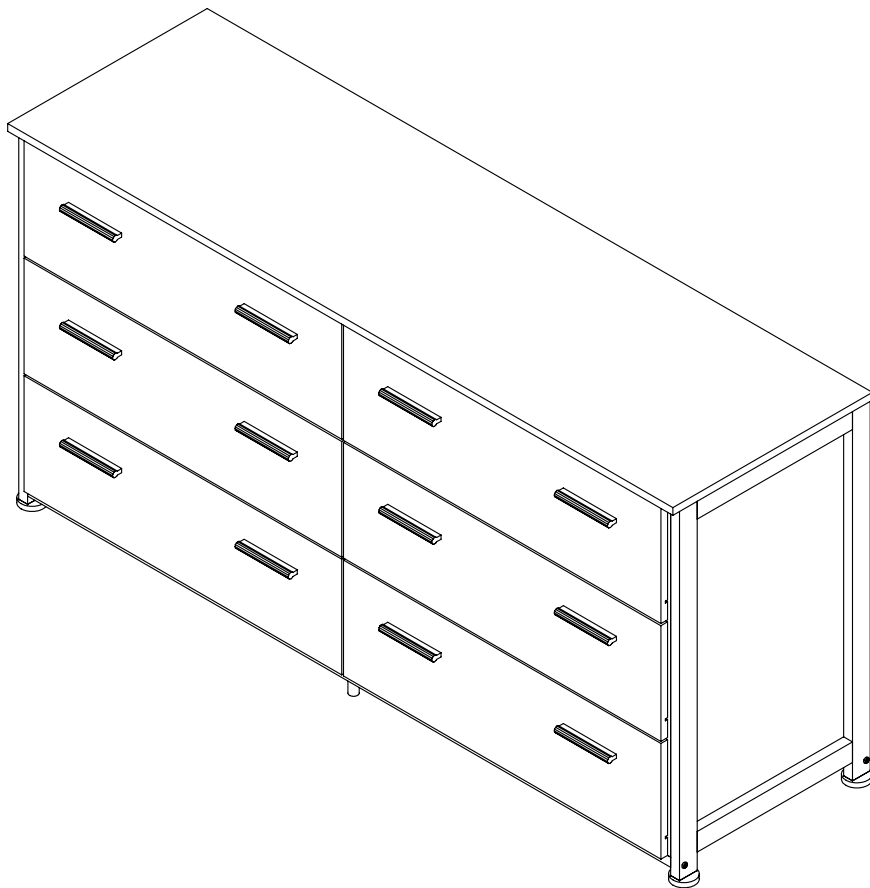
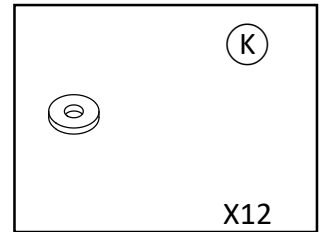
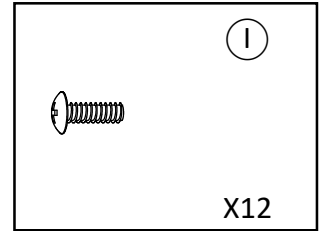
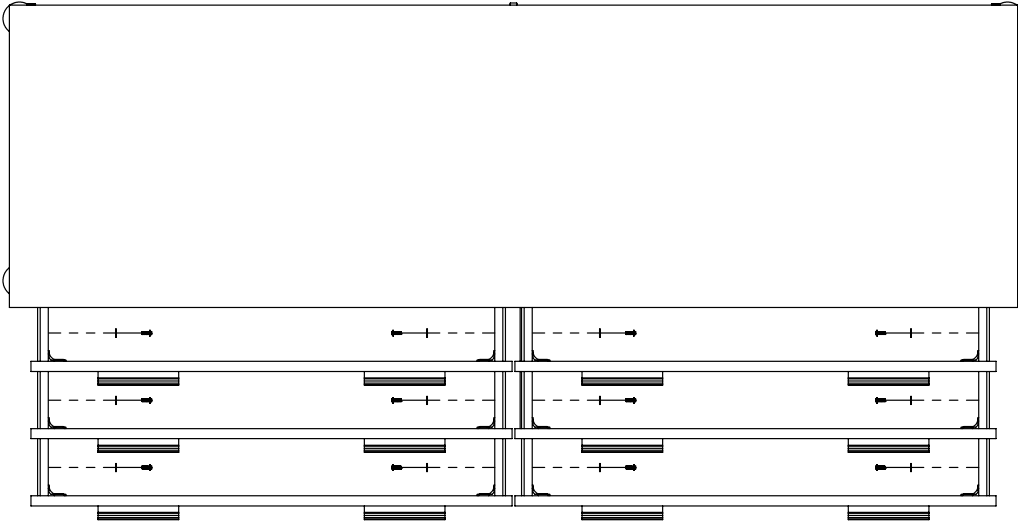
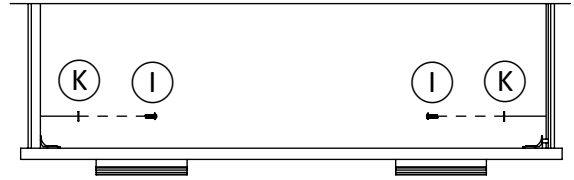
17



18



19



20

