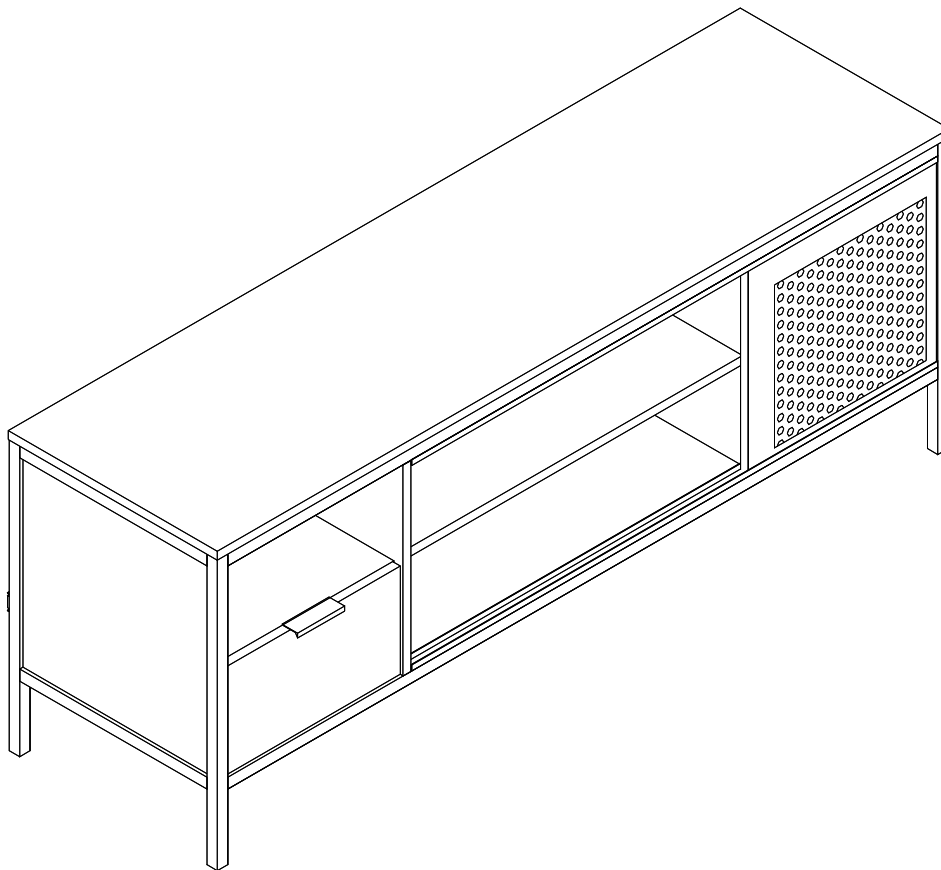


ASSEMBLY INSTRUCTION FOR ACME FURNITURE

MODEL#LV00404

Thank you for purchasing the quality product. Be sure to check all packing material carefully for small parts which may have come loose inside the carton during shipment. Separate, identify and count all parts and metal hardware. Compare with all parts list to be sure all parts are present. If any part(s) are missing or damaged, please contact your local furniture dealer. For efficient and speedy service, please indicate the model number and code letter of part(s) needed.

*****Do not fully tighten screws until fully assembled*****

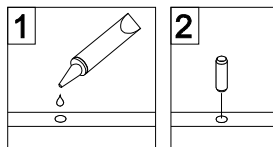


Attention:

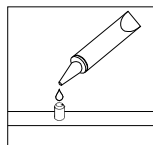
*****Some number parts listed on the instruction sheet may not be in parts bag as they may already be assembled. Carefully check parts and packing materials prior to ordering replacements.**

General Assembly Guidelines

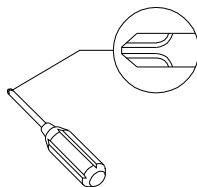
- I. Ensure that all parts and hardware are available before beginning assembly.
- II. Follow each step carefully to ensure the proper assembly of this product.
- III. Two people are recommended for ease in the assembly of this product.
- IV. The three main types of hardware used to assemble this product are: wood dowels, screws and bolts.
- V. The provided glue is to secure wood dowels in place. When first inserting dowels, locate the appropriate hole for the dowel, place a small amount of glue in the hole and insert the dowel. Wipe away excess glue immediately.



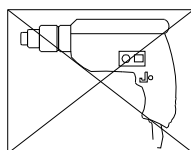
In future assembly steps when dowels are necessary to attach assembly parts together, place a small amount of glue on the end of the dowel before attaching parts together. Wipe away excess glue immediately.



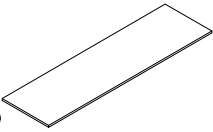
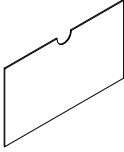
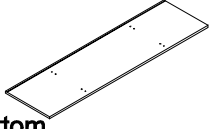

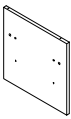

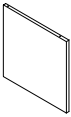
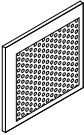
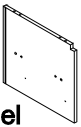
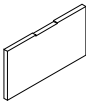
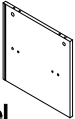
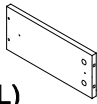
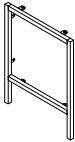
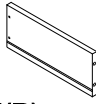
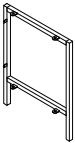
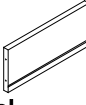
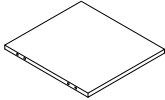
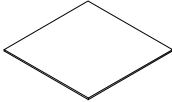
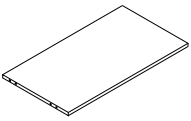

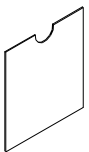
- VI. A Phillips head screwdriver is required for the assembly of this product.




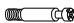








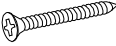





- VII. Power tools should not be used to assemble this product.

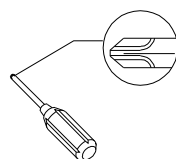


COMPONENT PARTS

DESCRIPTION	PART NAME	QTY(PCS)	DESCRIPTION	PART NAME	QTY(PCS)
①	Table Top 	1	⑫	Back plane 	1
②	Table Bottom 	1	⑬	Metal tube 	1
③	Left side pane 	1	⑭	Metal tube 	1
④	Right side panel 	1	⑮	Metal Door 	1
⑤	Left middle side panel 	1	⑯	Drawer Front Panel 	1
⑥	Right middle side panel 	1	⑰	Drawer Side Panel(L) 	1
⑦	Metal tube 	1	⑱	Drawer Side Panel(R) 	1
⑧	Metal tube 	1	⑲	Drawer Back Panel 	1
⑨	Shelf 	1	⑳	Drawer Bottom Panel 	1
⑩	Shelf 	1	㉑	Metal Legs 	1
⑪	Back plane 	2			

Hardware List

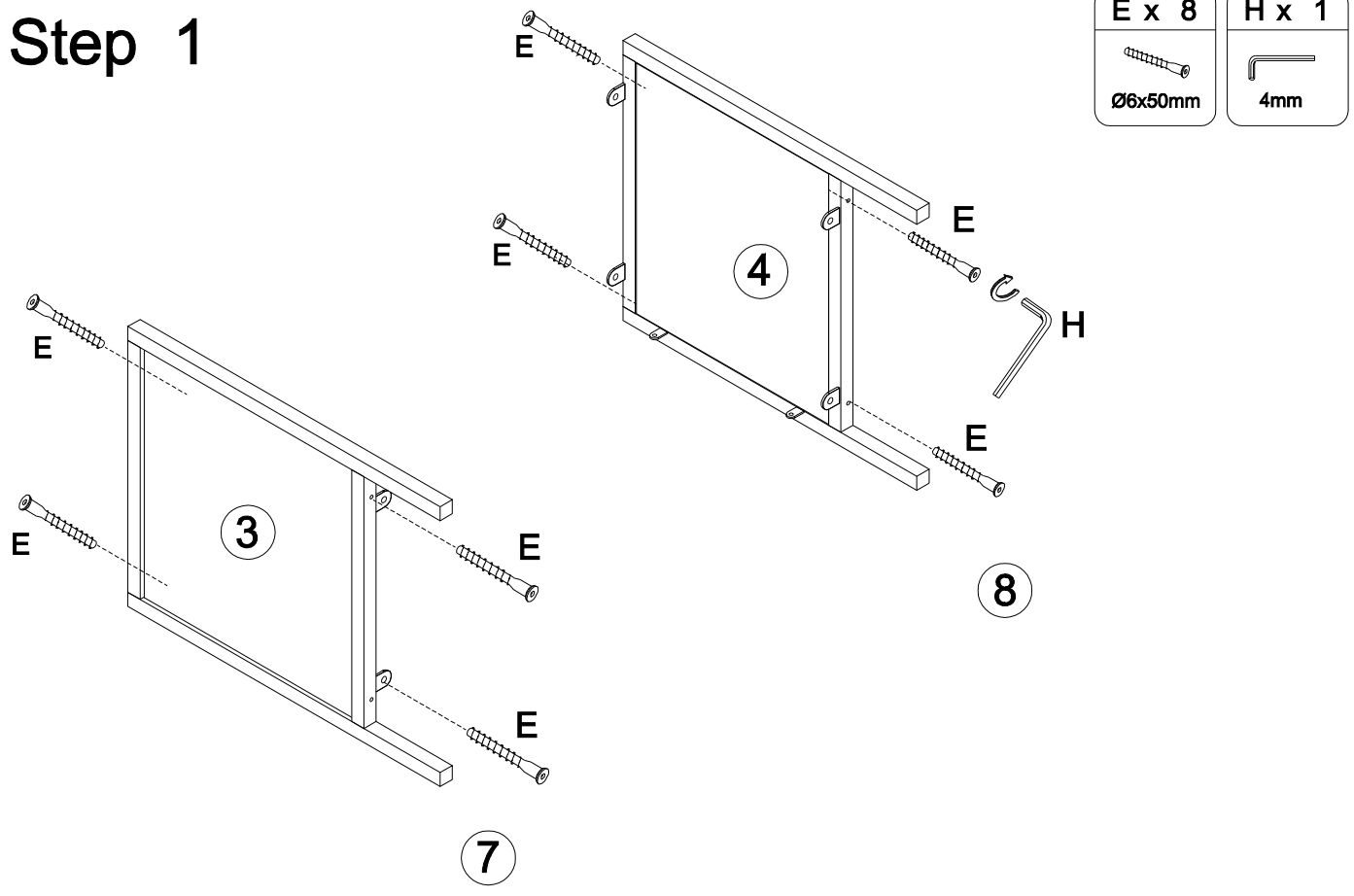
A		Ø8x30mm	Wooden dowel	16 pcs
B		Ø6x35mm	Cam bolt	16 pcs
C		Ø15x11mm	Cam lock	16 pcs
D		Ø30mm	Sticker	16 pcs
E		Ø6x50mm	Screw	12 pcs
F		Ø1/4"x30mm	Bolt	4 pcs
G		Ø1/4"x12mm	Bolt	16 pcs
H		4mm	Allen Key	1 pcs
I			Glue tube	1 pcs
J			Handle	1 pcs
K		Ø4x30mm	Screw	4 pcs
L		Ø3.5x14mm	Bolt	10 pcs
M			Drawer slider	1 pcs
N			Plastic wedge	12 pcs
O		Ø3x17mm	Screw	12 pcs
P		Ø4x8mm	Screw	4 pcs



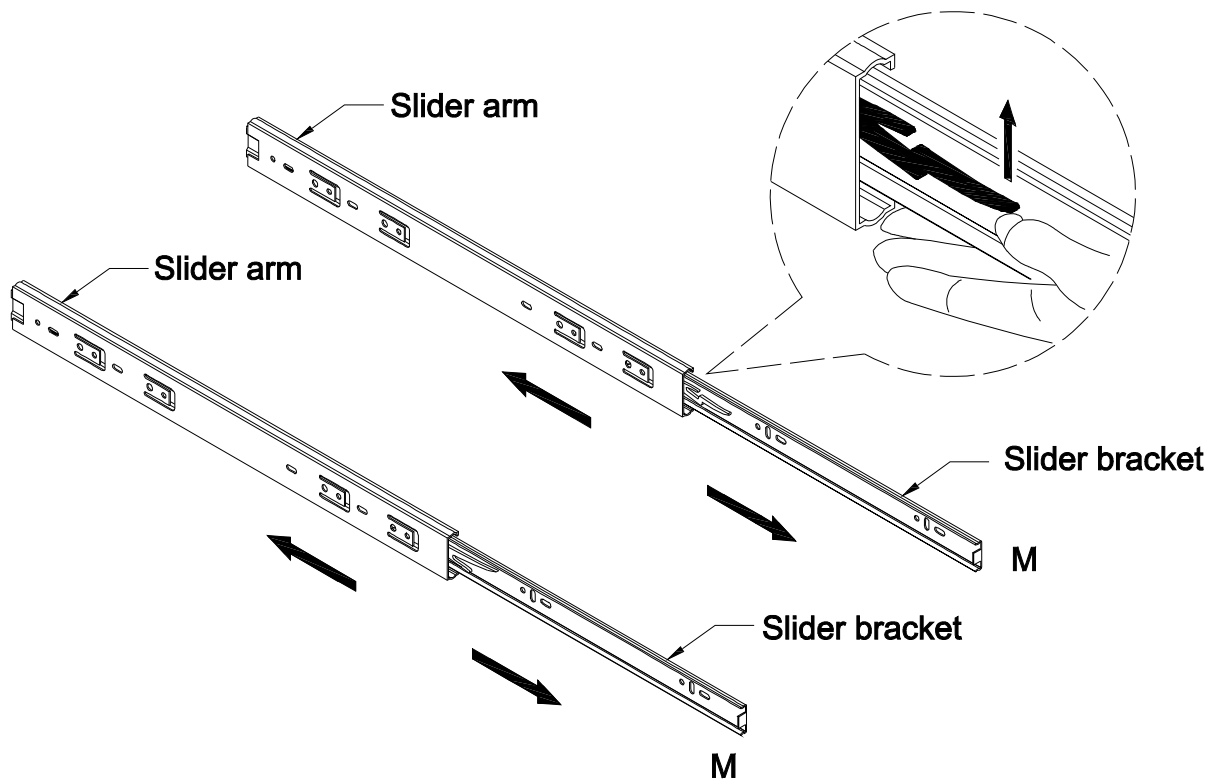
Philips head screwdriver required for assembly
(not included)

*The hardware quantities listed above are required for proper assembly.
Some extra hardware may also have been included.*



Step 1

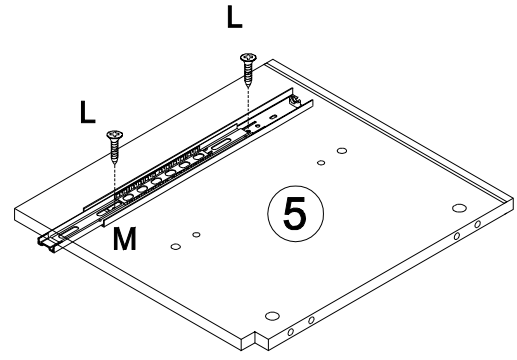
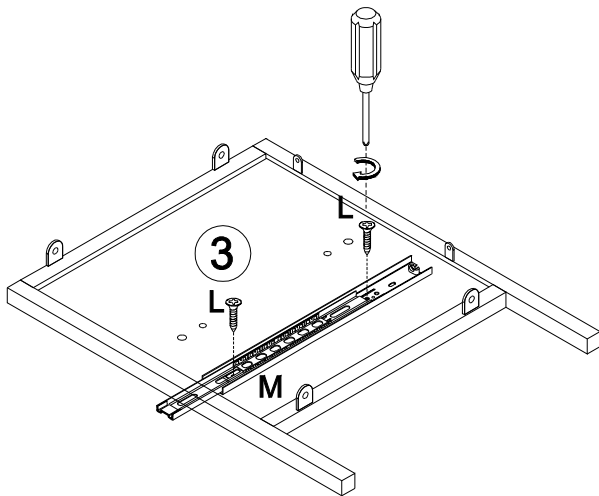


Step 2




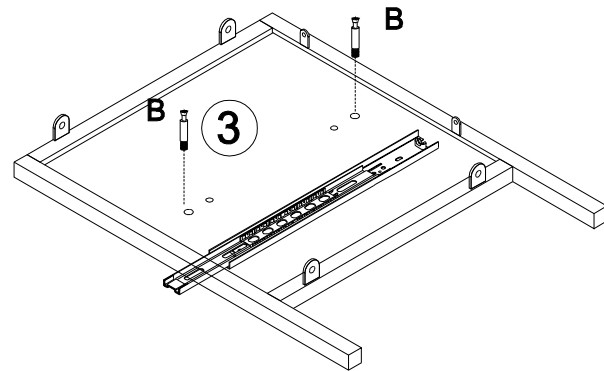
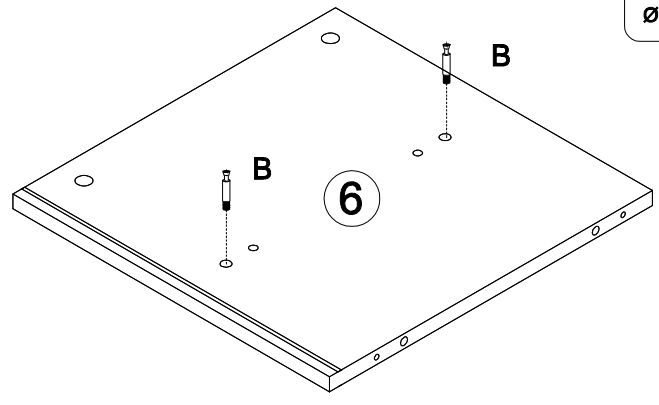
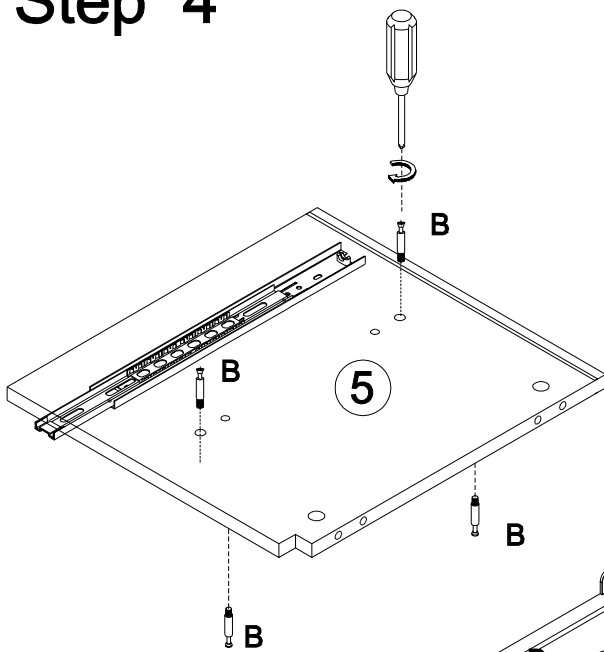
Step 3

M x 1	L x 4
	
	Ø3.5x14mm





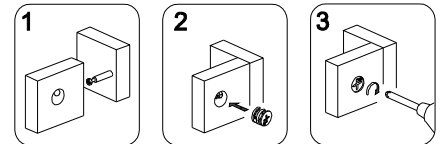
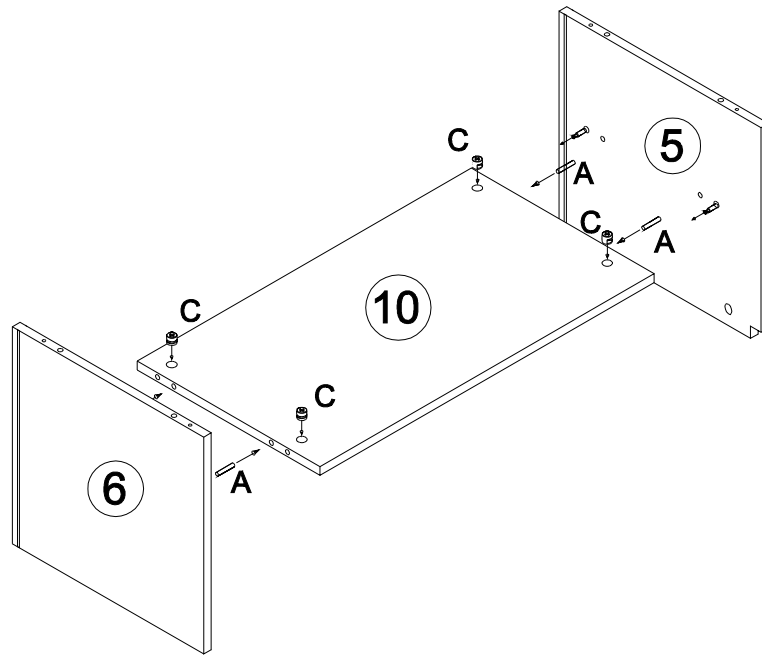
Step 4

B x 8

Ø6x35mm






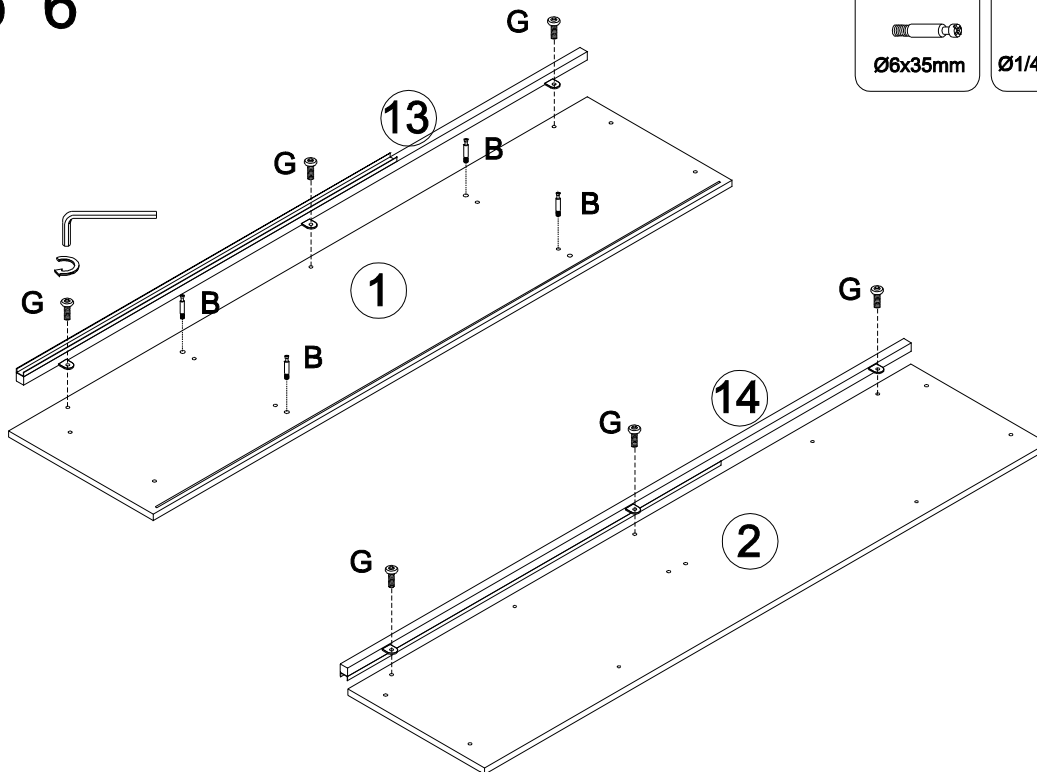
Step 5

A x 4	C x 4
 Ø8x30mm	 Ø15x11mm





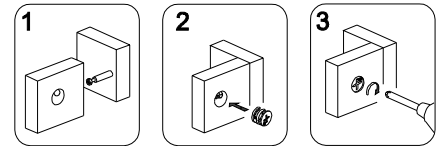
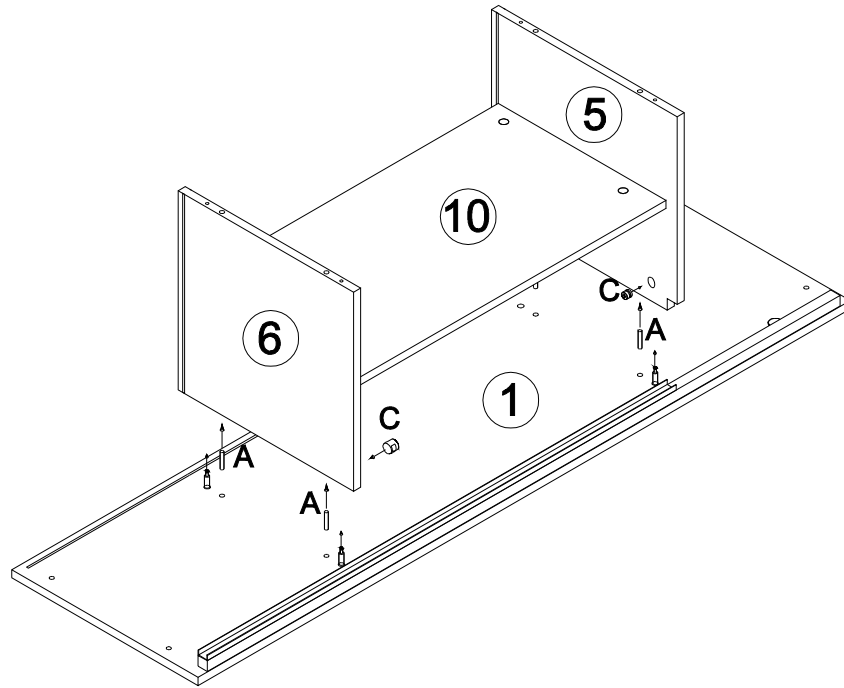
Step 6

B x 4	G x 6	H x 1
 Ø6x35mm	 Ø1/4"x12mm	 4mm

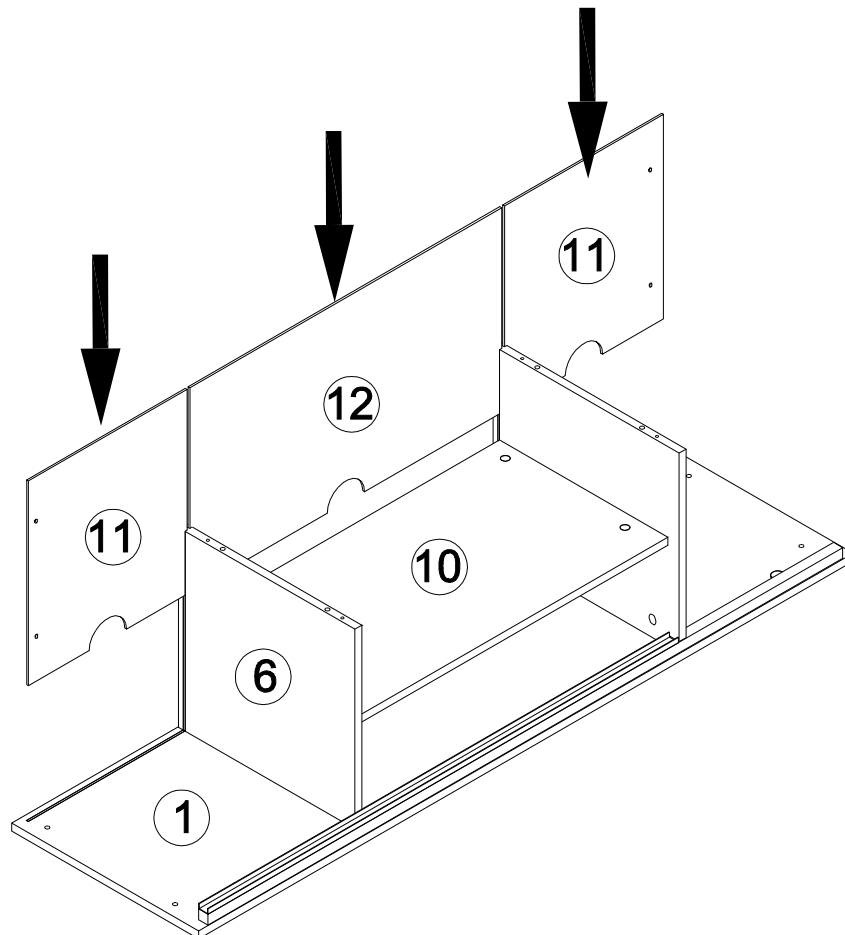


Step 7





A x 4	C x 4
	
Ø8x30mm	Ø15x11mm

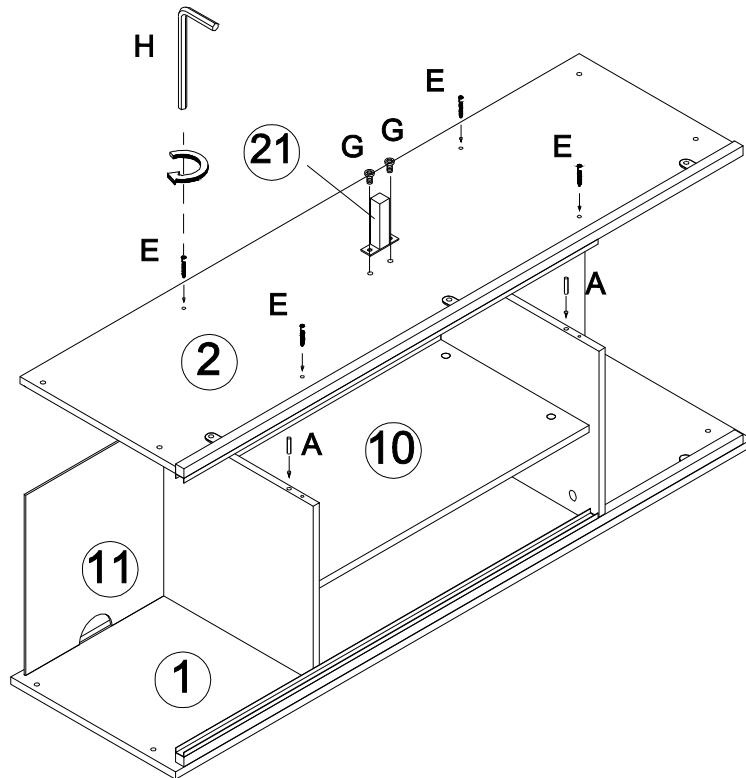


Step 8







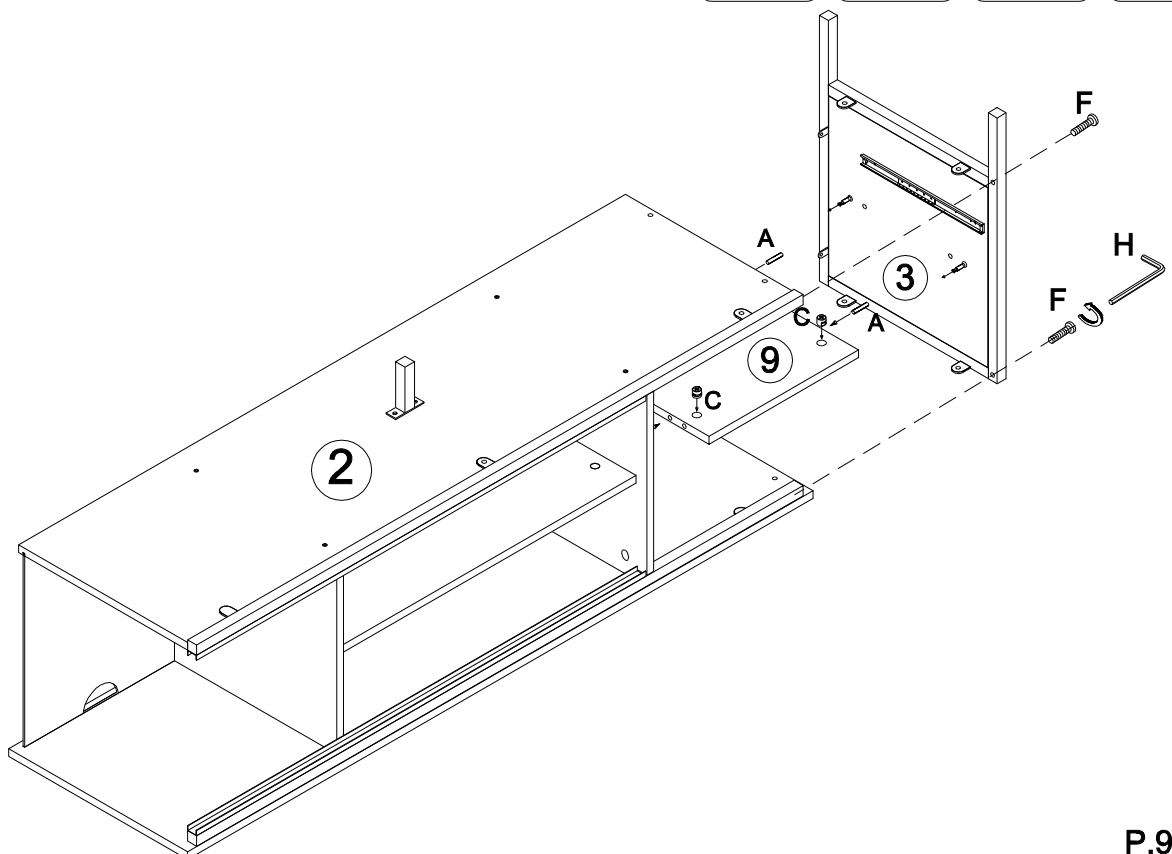
Step 9

A x 4	E x 4	G x 2	H x 1
			
Ø8x30mm	Ø6x50mm	Ø1/4"x12mm	4mm





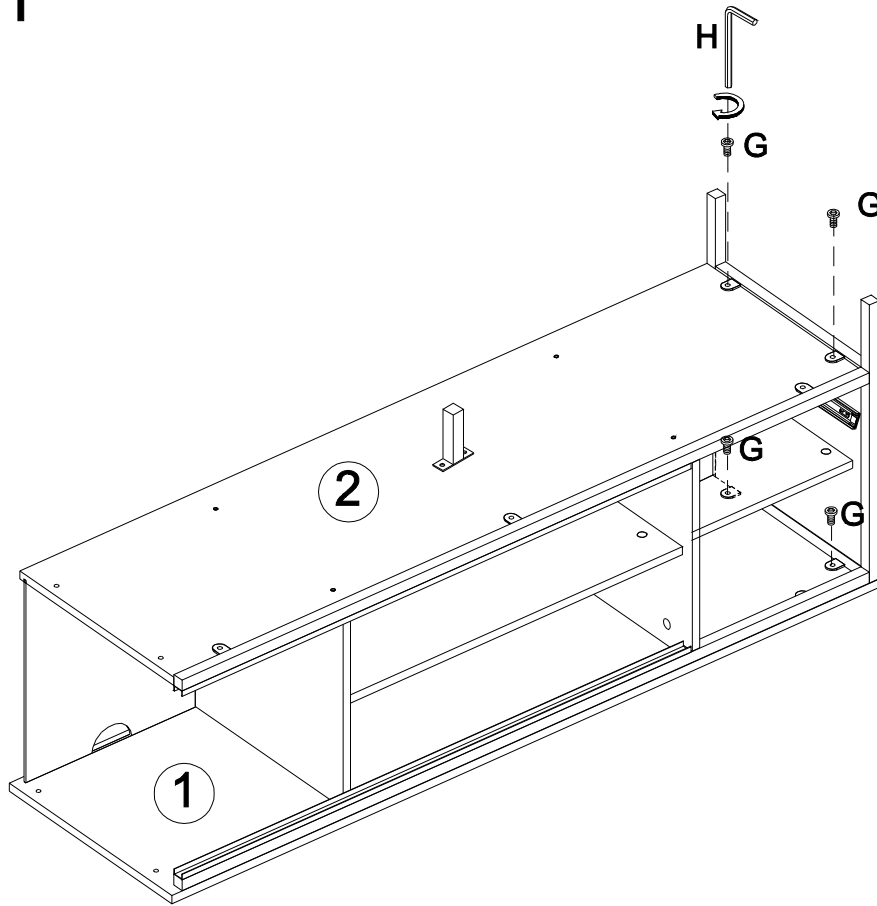
Step 10

A x 4	C x 4	F x 2	H x 1
			
Ø8x30mm	Ø15x11mm	Ø1/4"x30mm	4mm




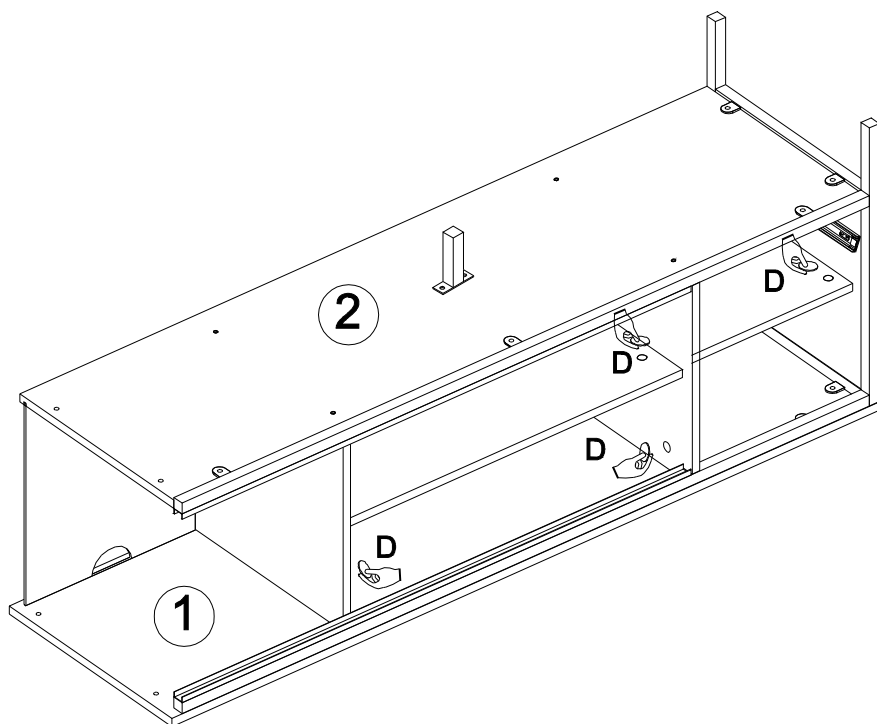
Step 11

G x 4  Ø1/4"x12mm	H x 1  4mm
---	--

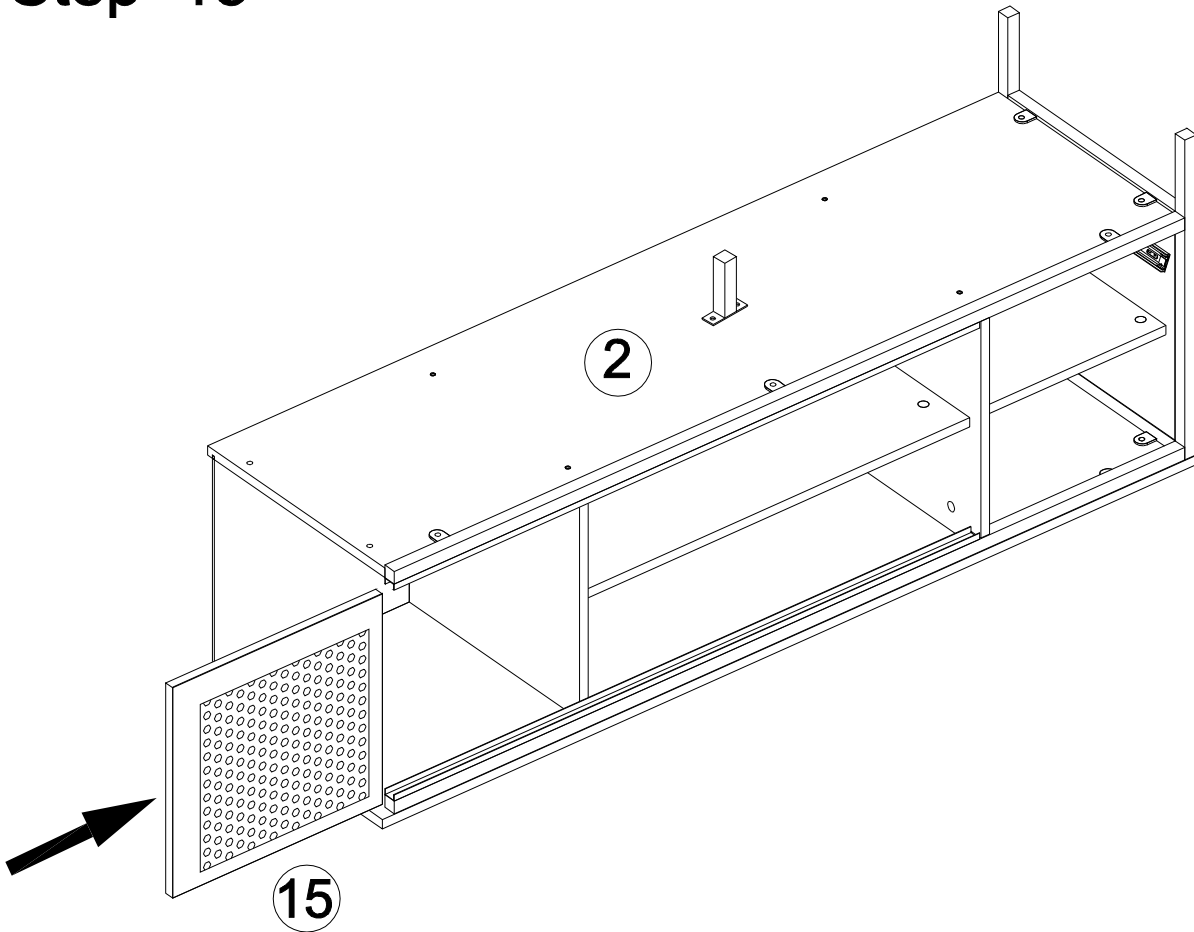


Step 12



D x 12 
--

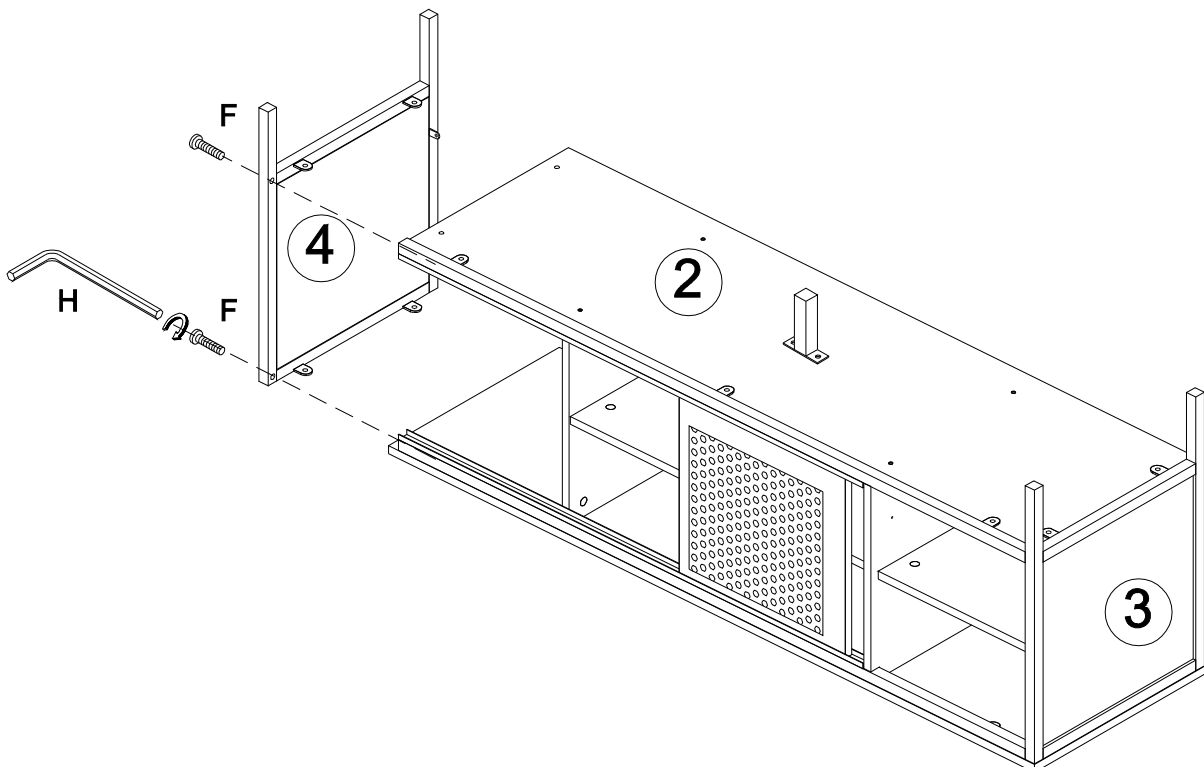


Step 13





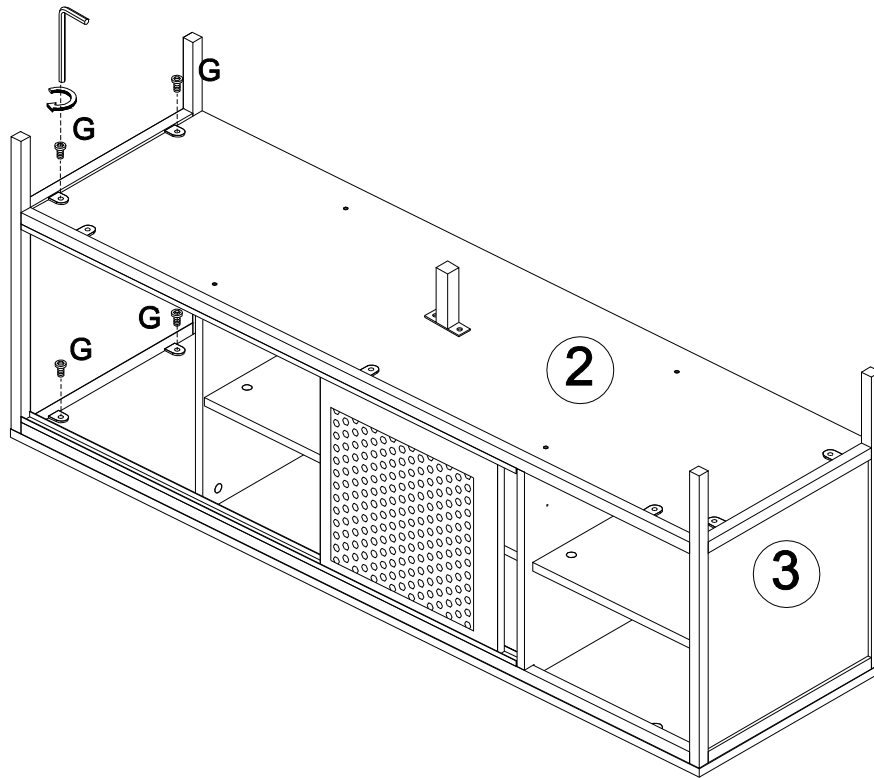
Step 14

F x 2  Ø1/4"x30mm	H x 1  4mm
---	--



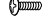


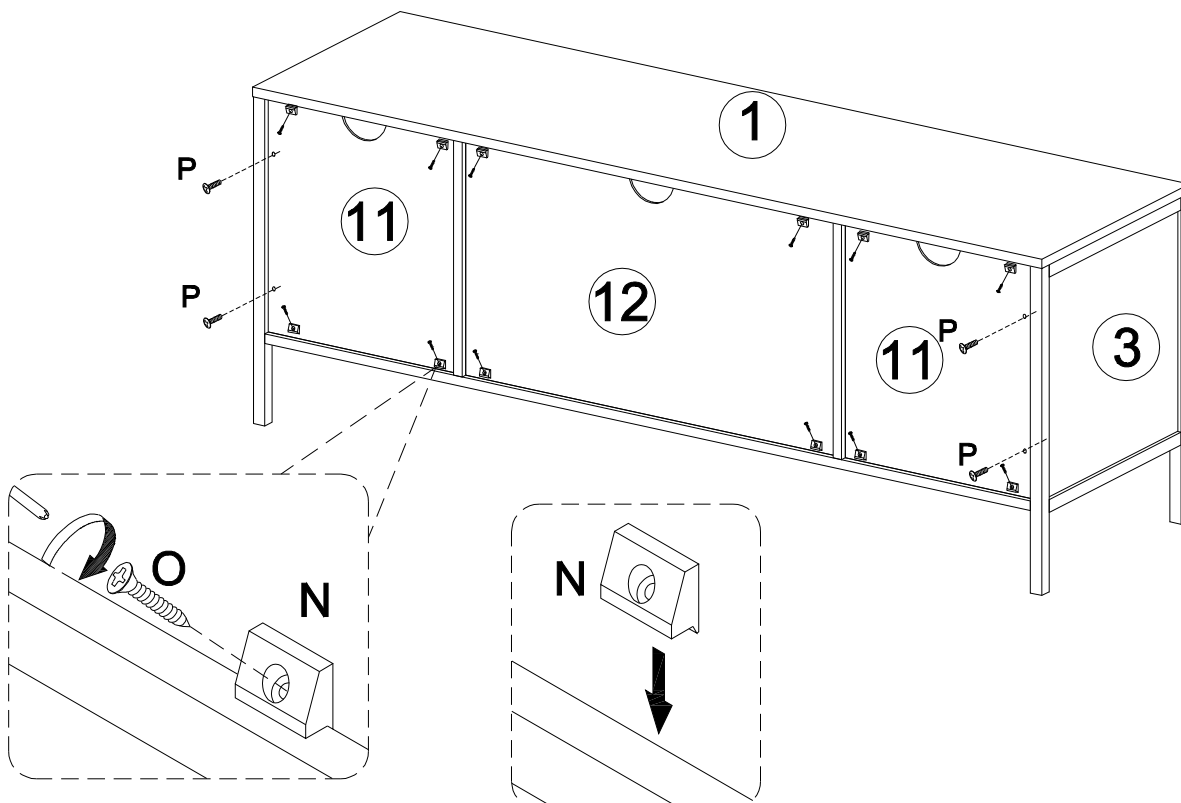
Step 15

G x 4  Ø1/4"x12mm	H x 1  4mm
---	--






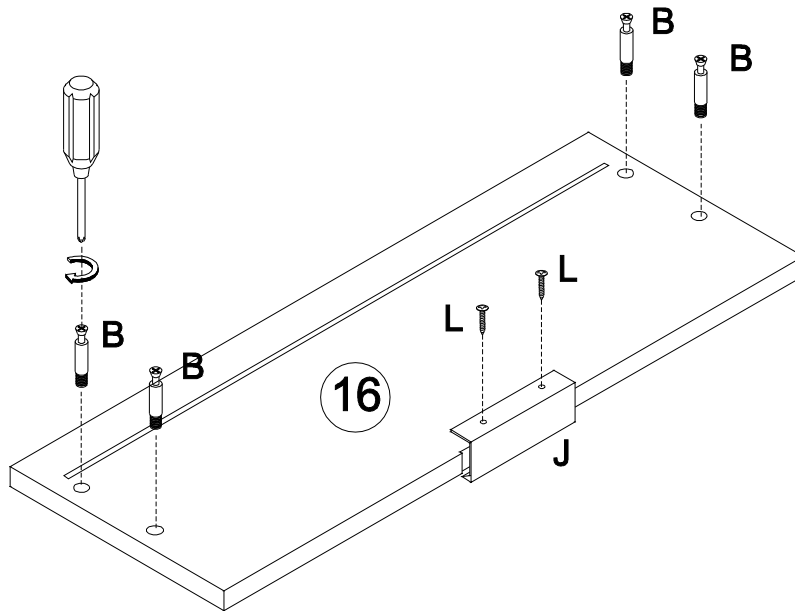
Step 16

N x 12 	O x 12  Ø3x17mm	P x 4  Ø4X8mm
--	---	---




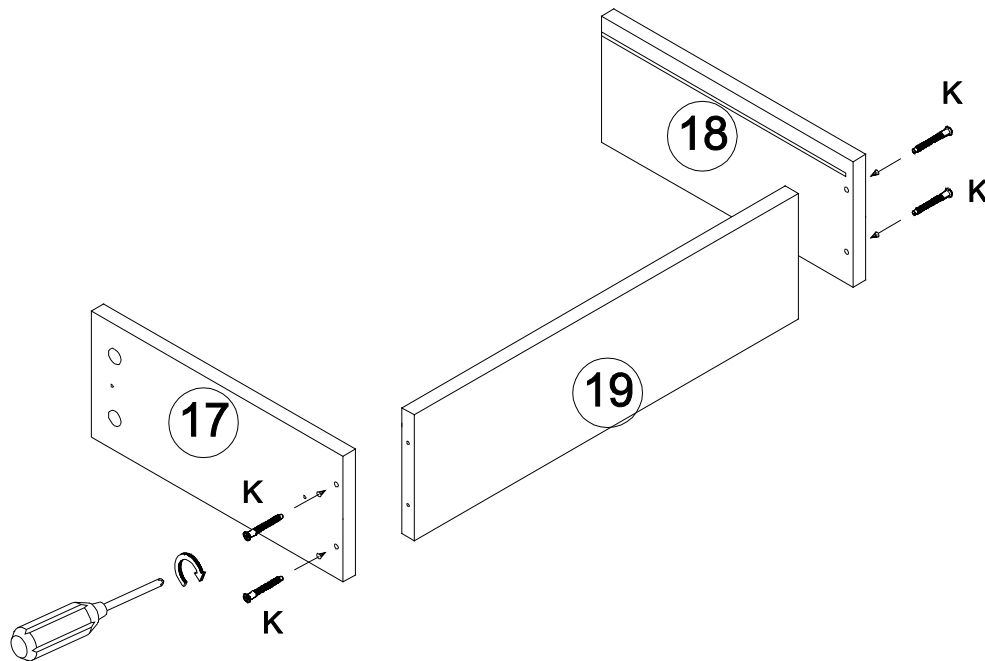
Step 17

B x 4  Ø6x35mm	J x 1 	L x 2  Ø3.5x14mm
--	---	--

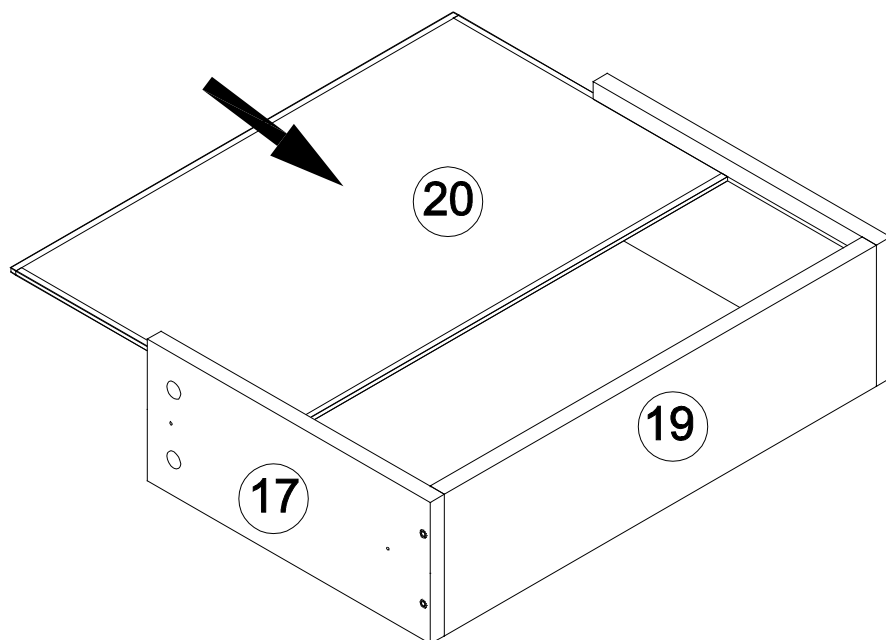


Step 18

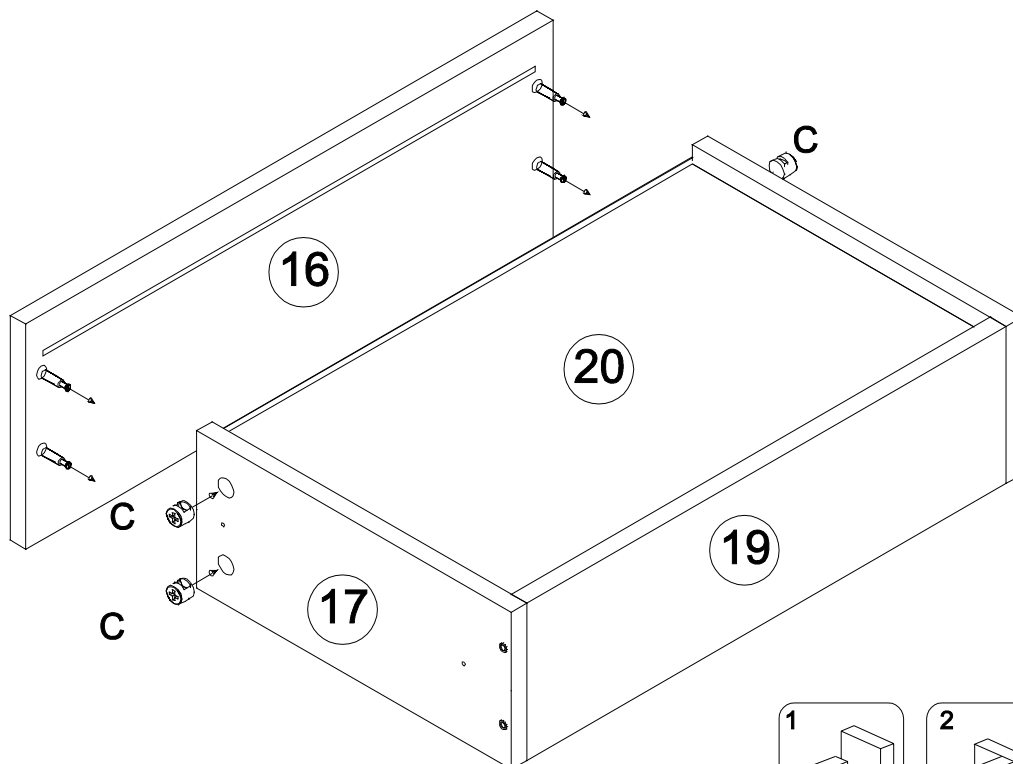
K x 4  Ø4x30mm
--



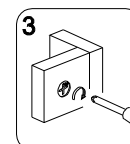
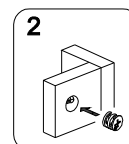
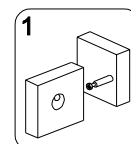
Step 19



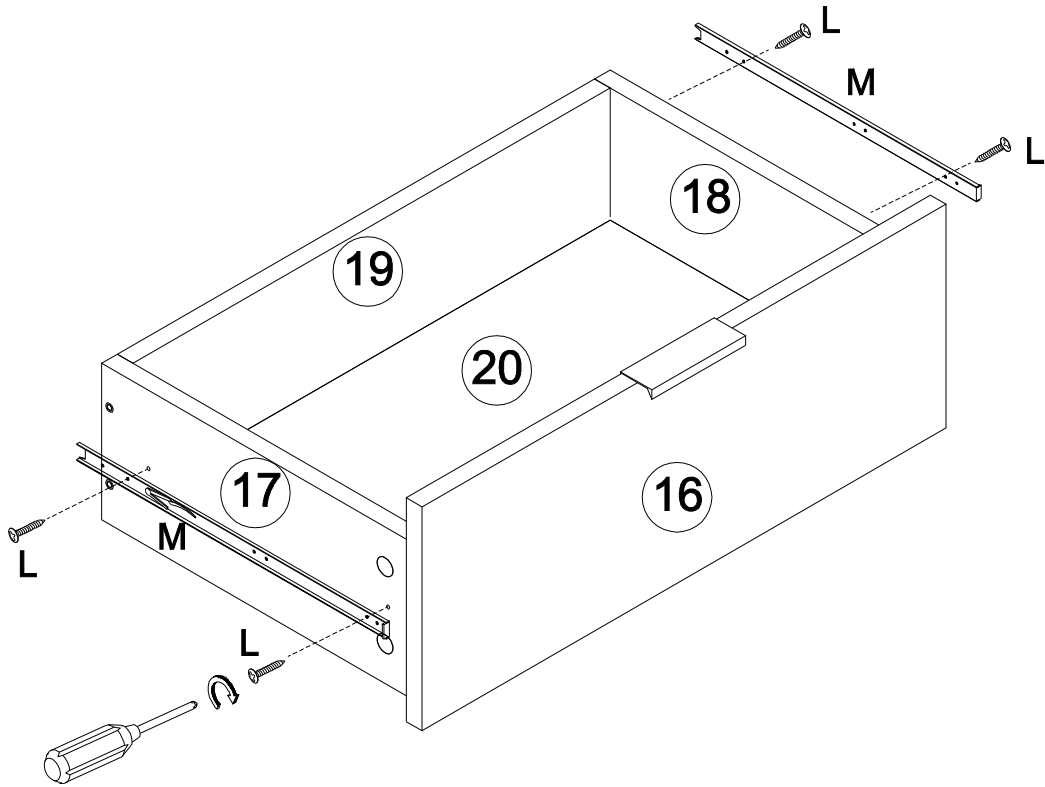
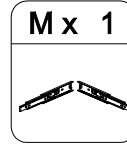
Step 20



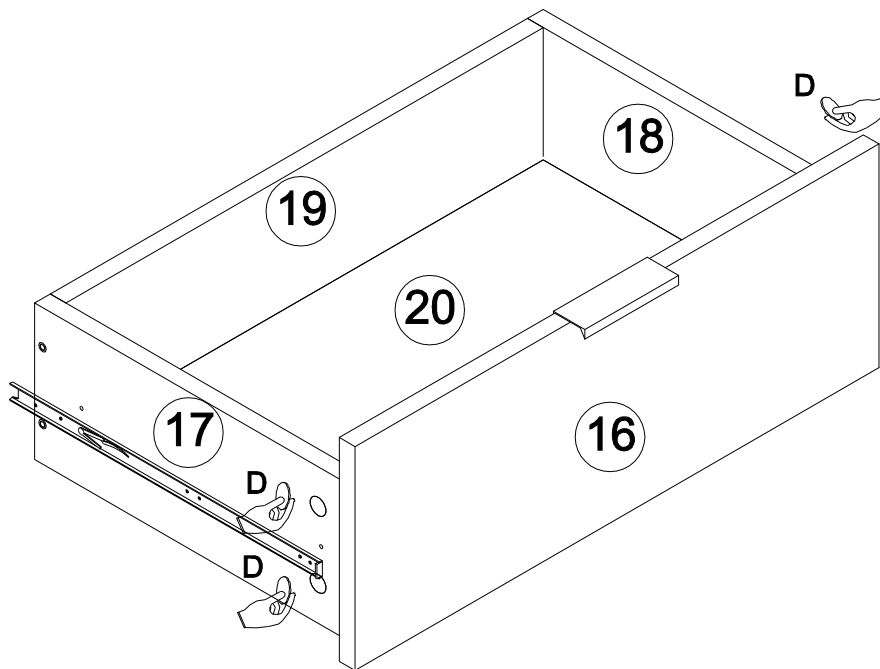
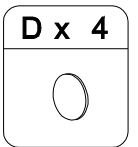
C x 4



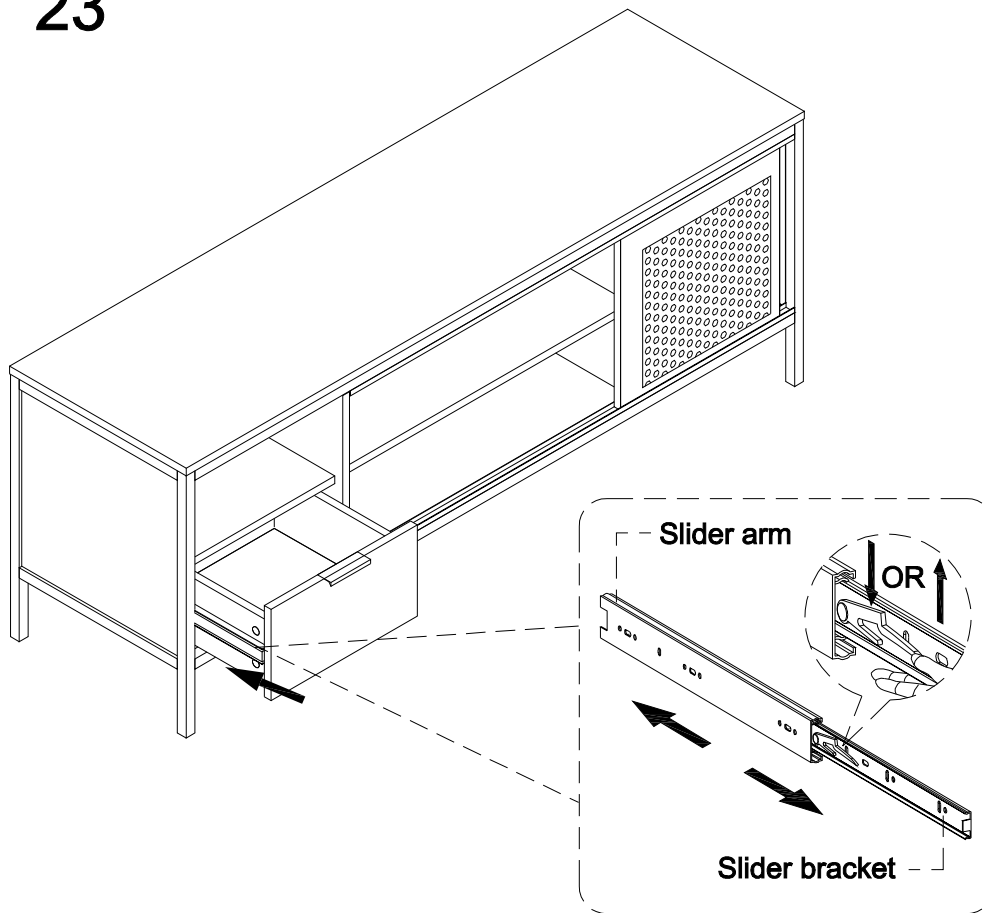
Step 21



Step 22



Step 23



Step 24

