
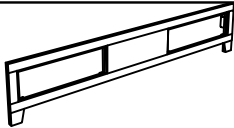




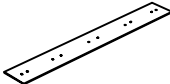


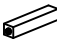

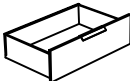


ASSEMBLY INSTRUCTION FOR ACME FURNITURE

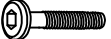


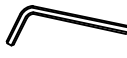
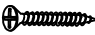
MODEL # 28587EK-HF /28589EK-R/28588EK-DRW

Thank you for purchasing the quality product. Be sure to check all packing material carefully for small parts which may have come loose inside the carton during shipment. Separate, identify and count all parts and metal hardware. Compare with all parts list to be sure all parts are present. If any part(s) are missing or damaged, please contact your local furniture dealer. For efficient and speedy service, please indicate the model number and code letter of parts(s) needed.

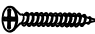

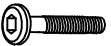





Do not fully tighten screws until fully assembled

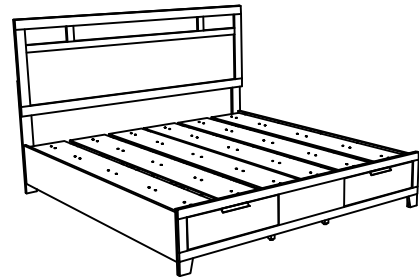
COMPONENT PARTS		
DESCRIPTION	PART NAME	Q'TY (PCS)
①	HEADBOARD 	1
②	FOOTBOARD 	1
③	HEADBOARG LEG 	2
④	SIDE RAIL 	2
⑤	BED SLAT A 	3
⑥	BED SLAT B 	2
⑦	CONCEALED PANEL 	6
⑧	DRAWER SUPPORT RAIL 	1
⑨	SUPPORT LEG 1 	10
⑩	SUPPORT LEG 2 	1
⑪	FOOTBOARD T-RUNNER SUPPORT 	2
⑫	FOOTBOARD DRAWER 	2

HARDWARE REQUIRED(BOX OF HEADBOARD)

- (A)  BOLT 1/4" x 1 3/8" - 4 PCS
- (B)  SPRING WASHER 1/4"- 4 PCS
- (C)  FLAT WASHER 1/4"- 4 PCS
- (D)  ALLEN KEY M4 - 1 PC
- (E)  FLATHEAD CHIPBOARD SCREW 5/32" x 1 2/8"- 8 PCS

HARDWARE REQUIRED(BOX OF SIDE RAIL)

- (F)  FLATHEAD CHIPBOARD SCREW 5/32" x 1 2/8"- 14 PCS
- (G)  PAN HEADCHIPBOARD SCREW 4/32"x 13/16"- 30 PCS
- (H)  1/4" x 1 3/8" - 2 PCS
- (I)  BOLT 1/4" x 2" - 11 PCS
- (J)  SPRING WASHER 1/4"- 2 PCS
- (K)  FLAT WASHER 1/4"- 2 PCS
- (L)  ALLEN KEY M4- 1 PC
- (M)  ALLEN KEY M5 - 1 PC



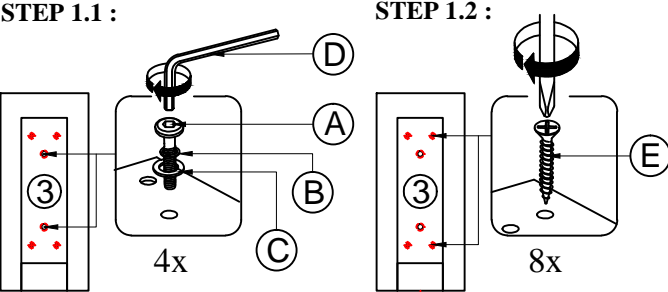
Attention:

*** Some number parts listed in the instruction sheet may not be in parts bags as they already be assembled. Carefully check parts and packing materials prior to ordering replacements.

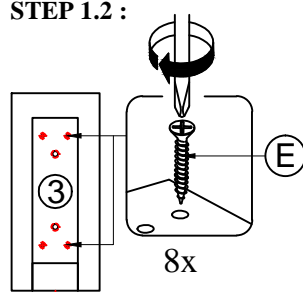
How to assemble:

Step 1:

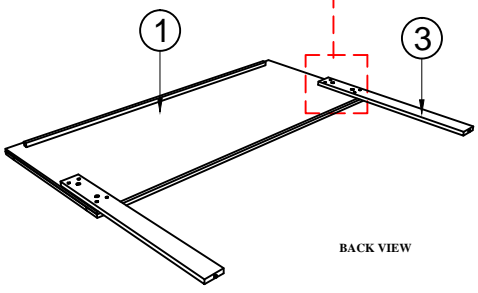
STEP 1.1 :



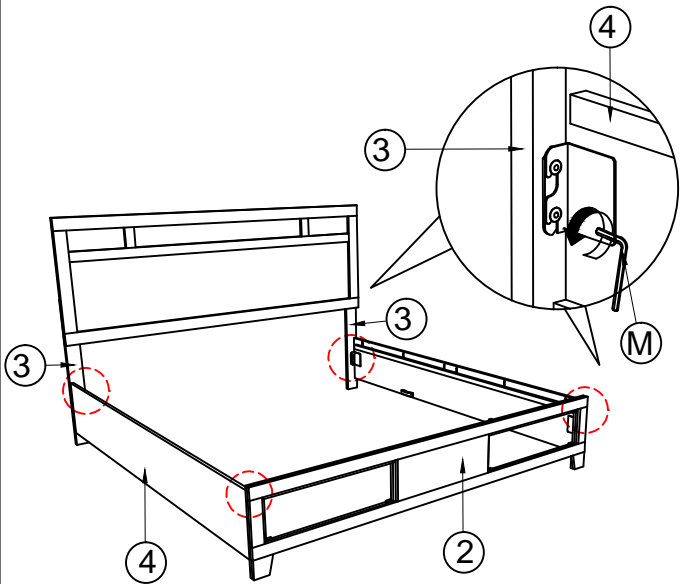
STEP 1.2 :



BACK VIEW

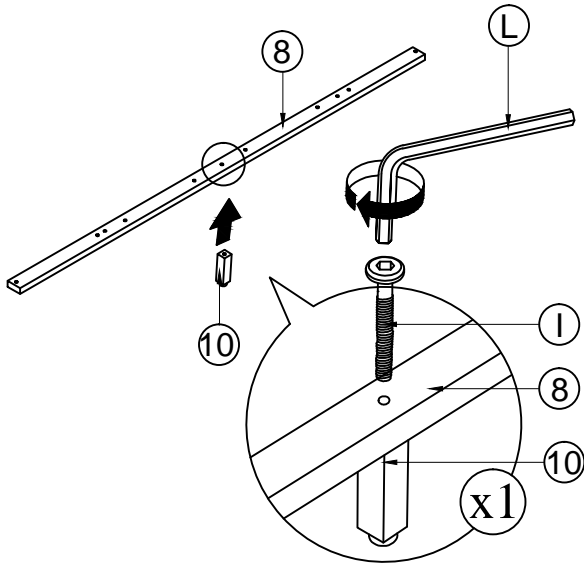


Step 2:

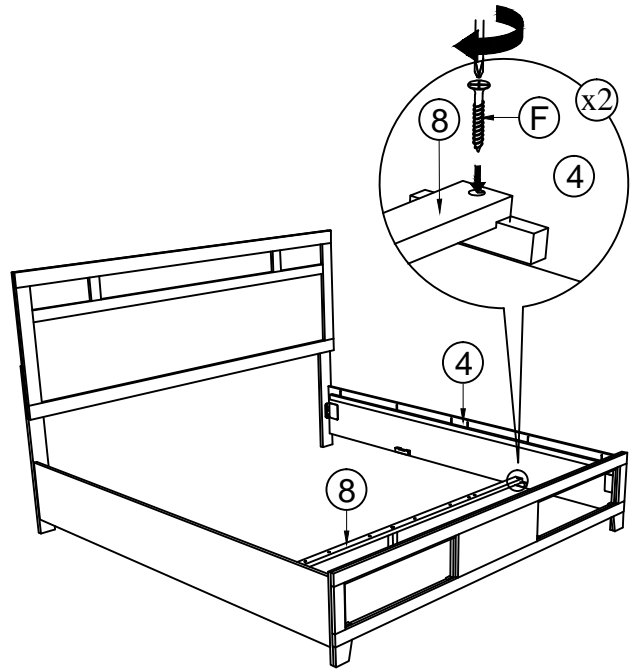


How to assemble:

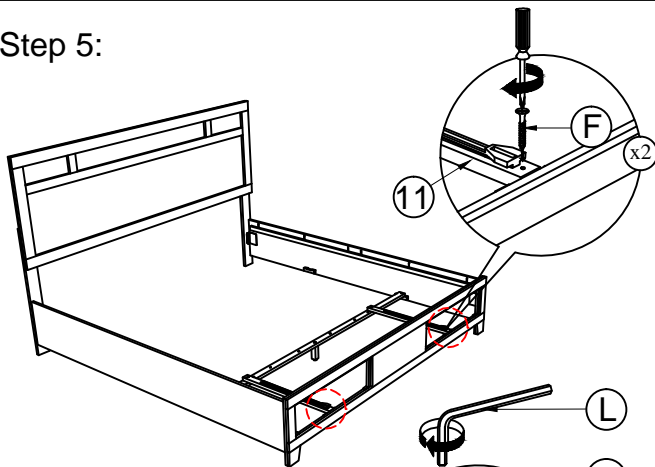
Step 3:



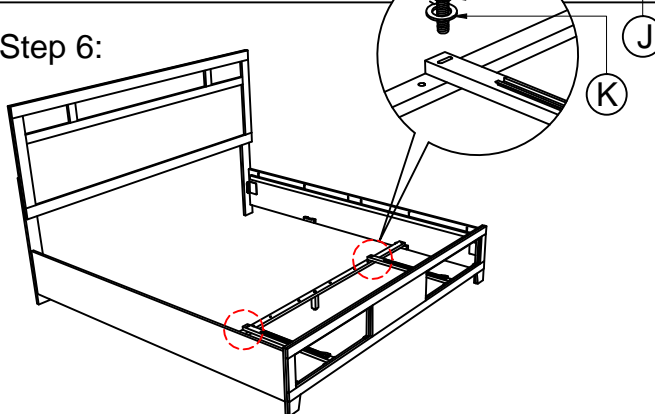
Step 4:



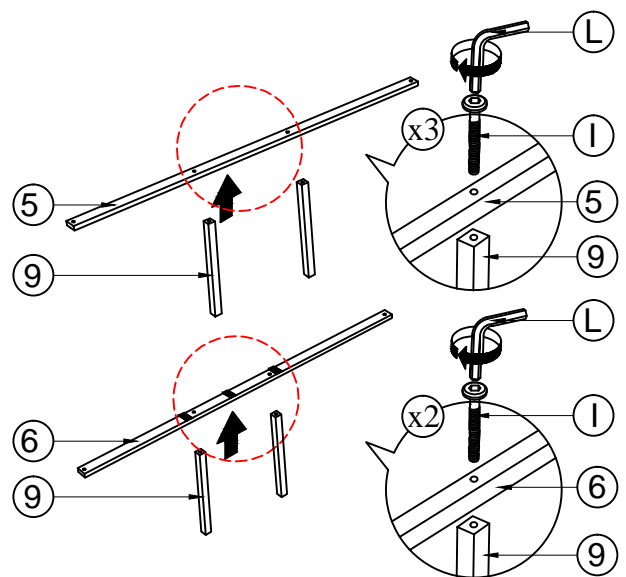
Step 5:



Step 6:

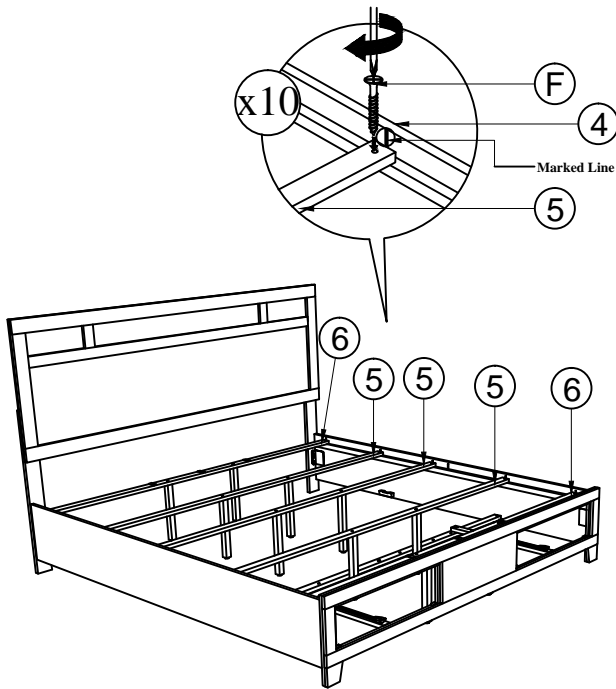


Step 7:

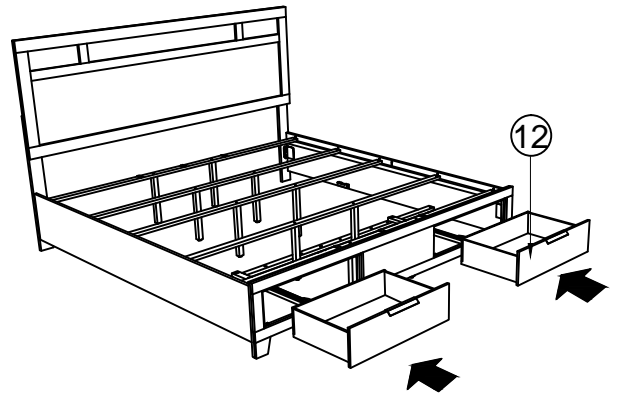


How to assemble:

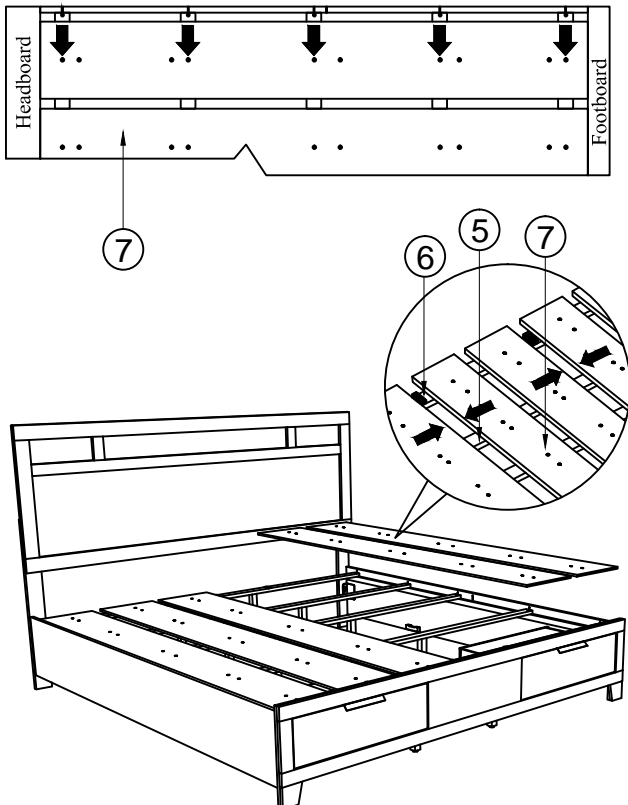
Step 8:



Step 9:



Step 10:



Step 11:
COMPLETE

