






ASSEMBLY INSTRUCTIONS FOR ACME FURNITURE










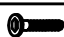


MODEL#62203 ARM CHAIR

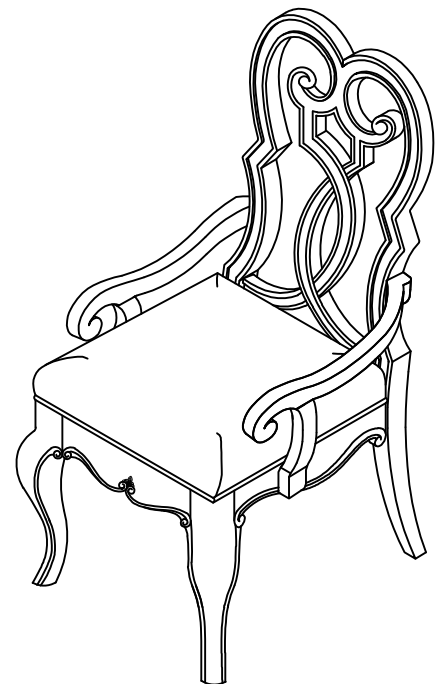
Thank you for purchasing this quality product. Be sure to check all packing material carefully for small parts which may have come loose inside the carton during shipment. Separate, identify and count all parts and metal hardware. Compare with parts list to be sure all parts are present. If any part(s) are missing or damaged, please contact your local furniture dealer. For efficient and speedy service, please indicate the model number and code letter of part(s) needed.

*** Do not fully tighten screws until fully assembled ***

COMPONENT PARTS			
DESCRIPTION	PART NAME		Q'TY (PCS)
(A)	Back Frame		1
(B)	Seat Frame		1
(C)	Front Legs		2
(D)	Left Arm		1
(E)	Right Arm		1

HARDWARE REQUIRED

①		BOLT	ø5/16**55mm	4	PCS
②		BOLT	ø5/16**75mm	4	PCS
③		LOCK WASHER	ø5/16**1mm	10	PCS
④		FLAT WASHER	ø5/16**19*2mm	10	PCS
⑤		ALLEN KEY	M4	1	PCS
⑥		Wood Dowel	ø10*30mm	3	PCS
⑦		BOLT	ø1/4**40mm	4	PCS
⑧		LOCK WASHER	ø1/4**10*1mm	4	PCS
⑨		FLAT WASHER	ø1/4**13*2mm	2	PCS
⑩		BOLT	ø5/16**40mm	2	PCS
⑪		WOOD PLUG	Ø14*10mm	2	PCS
⑫		FLAT WASHER	ø1/4**16*2mm	2	PCS

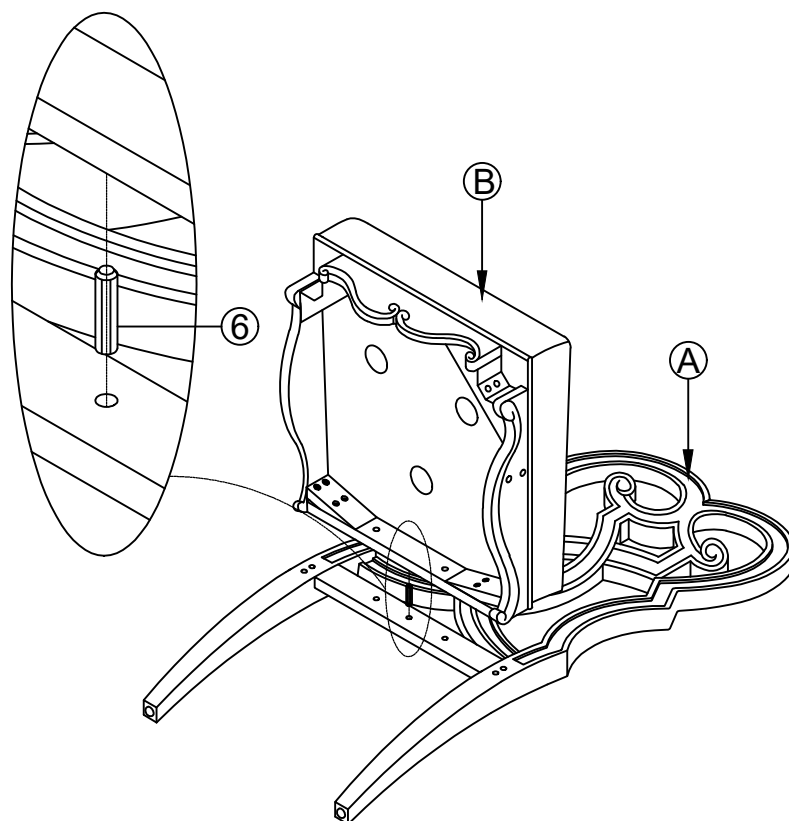


Attention

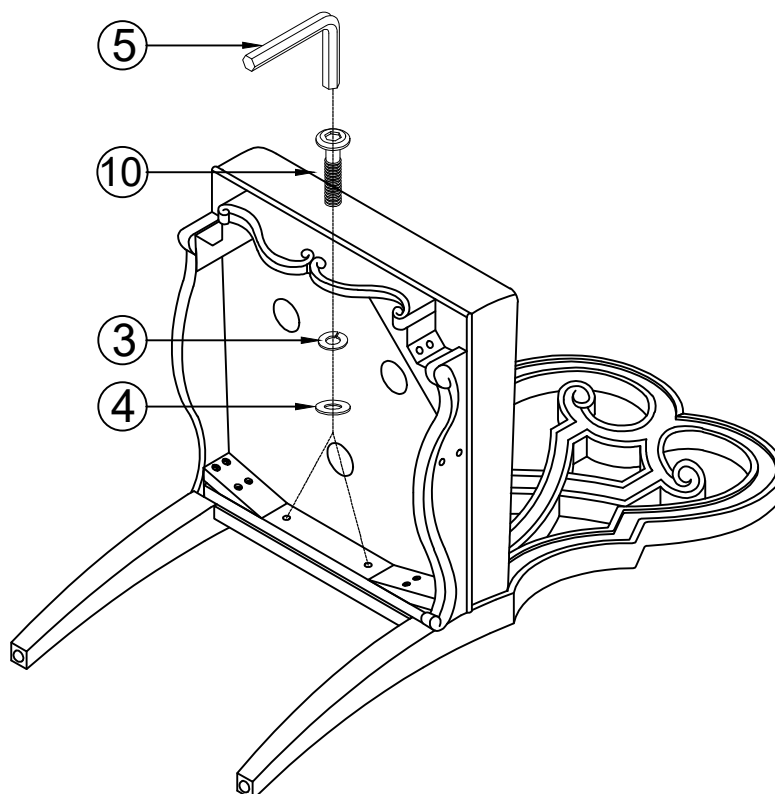
***Some number parts listed on the instruction sheet may not be in parts bag as they may already be assembled. Carefully check parts and packing materials prior to ordering replacements.

How to assemble:

STEP 1

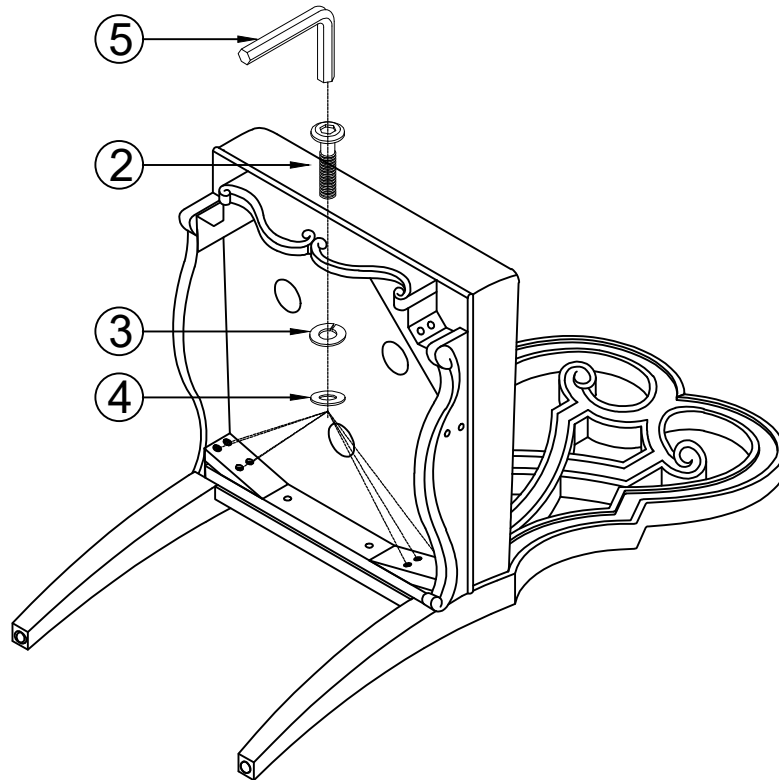


STEP 2

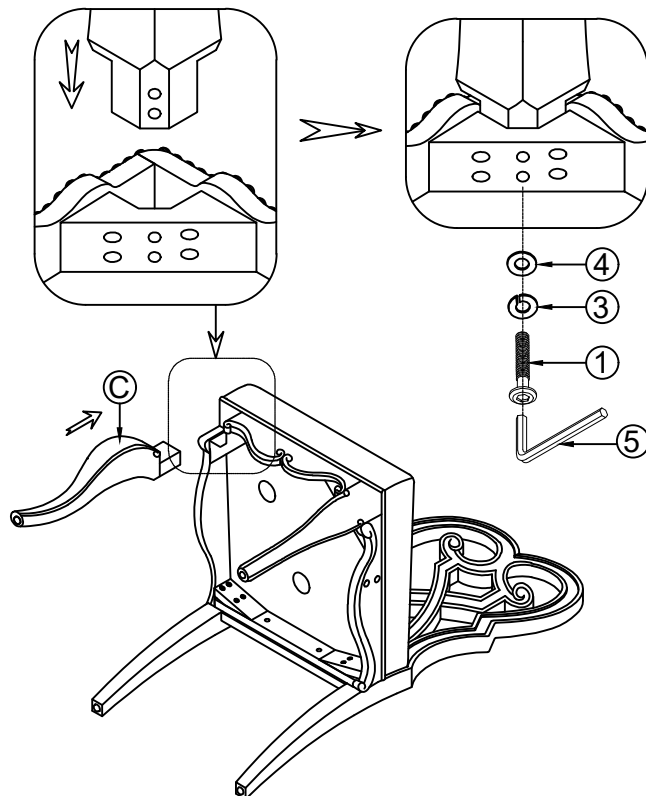


How to assemble:

STEP 3



STEP 4



How to assemble:

STEP 5

