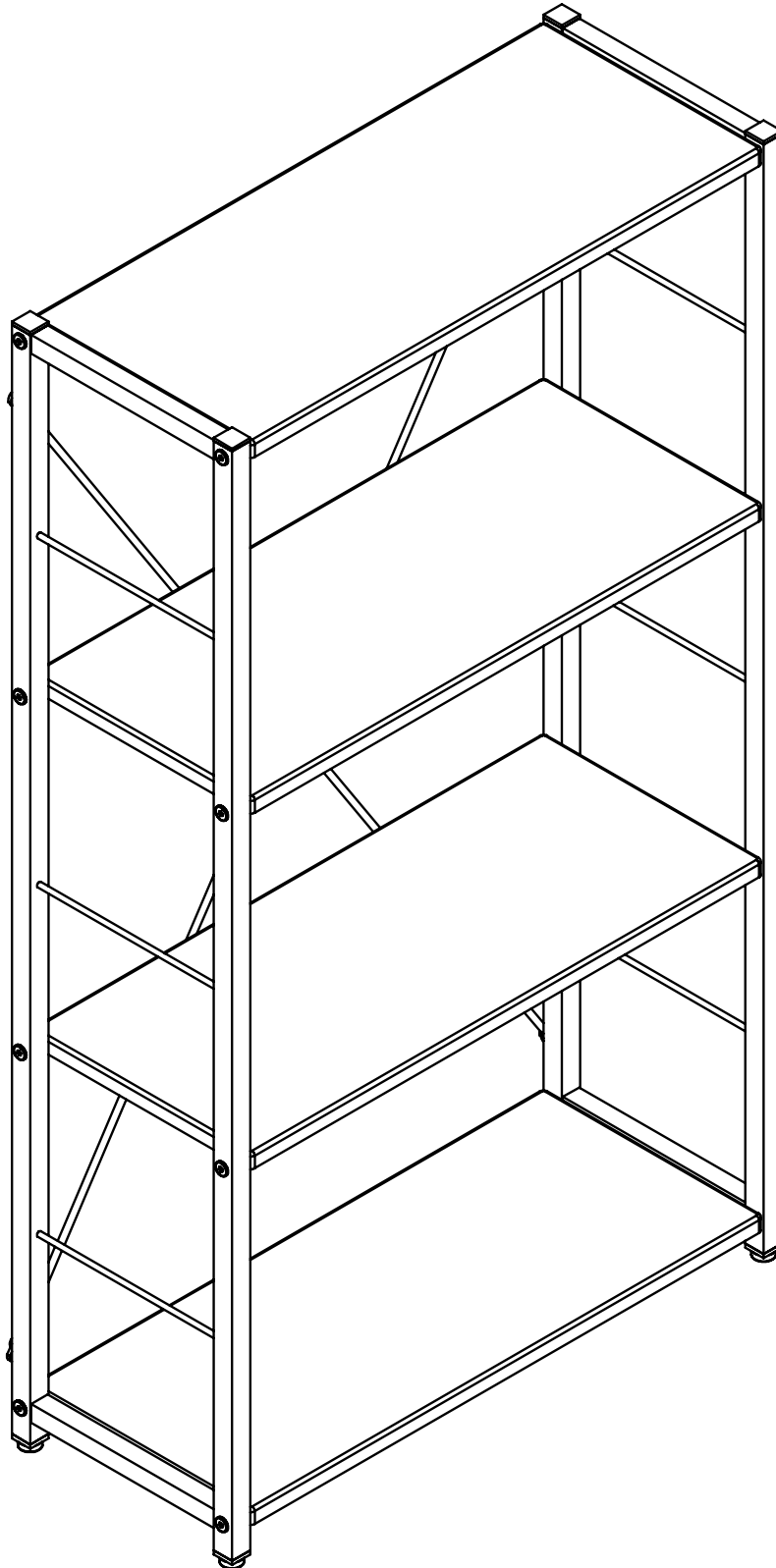



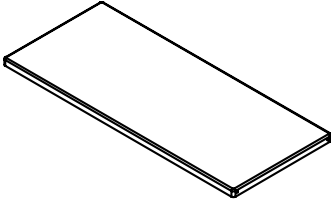
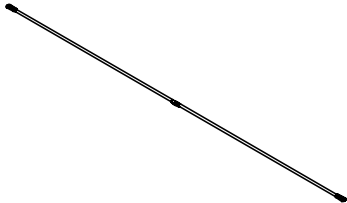
ASSEMBLY INSTRUCTION FOR ACME FURNITURE

MODEL#93192 93197

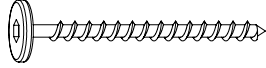
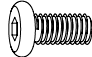
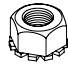
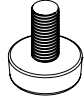
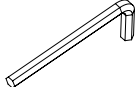
Thank you for purchasing the quality product. Be sure to check all packing material carefully for small parts which may have come loose inside the carton during shipment. Separate, identify and count all parts and metal hardware. Compare with all parts list to be sure all parts are present. If any part(s) are missing or damaged, please contact your local furniture dealer. For efficient and speedy service, please indicate the model number and code letter of part(s) needed.



**** Do not fully tighten screws until fully assembled *****

COMPONENT PARTS		
DESCRIPTION	PART NAME	QTY(PCS)
①	SIDE FRAME 	2
②	WOOD SHELF 	4
③	CROSS BAR 	2

HARDWARE REQUIRED

①		ALLEN SCREW	M5X50MM	16	PCS
②		ALLEN BOLT	M6x12MM	5	PCS
③		KEPS NUT		1	PCS
④		STUD		4	PCS
⑤		ALLEN WRENCH		1	PCS

Attention

***Some number parts listed on the instruction sheet may not be in parts bag as they may already be assembled. Carefully check parts and packing materials prior to ordering replacements.

