

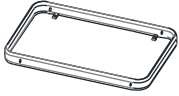

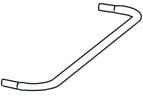


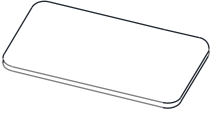


ASSEMBLY INSTRUCTION FOR ACME FURNITURE

MODEL#98217

Thank you for purchasing this quality product. Be sure to check all packing material carefully for small parts which may have come loose inside the carton during shipment. Separate, identify and count all parts and metal hardware. Compare with parts list to be sure all parts are present. If any part(s) are missing or damaged, please contact your local furniture dealer. For efficient and speedy service, please indicate the model number and code letter of part(s) needed.

*****Do not fully tighten screws until fully assembled*****

COMPONENT PARTS			
DESCRIPTION	PART NAME		Q'TY (PCS)
①	SIDE PANEL		1
②	SIDE PANEL		1
③	TOP FRAME		1
④	BOTTOM FRAME		1
⑤	HANDLE		1
⑥	RAILING		1
⑦	GLASS TOP		1
⑧	MIRROR SHELF		1

HARDWARE REQUIRED

(A)		CASTER	40mm	2 PCS
(B)		CASTER WITH BRAKE	40mm	2 PCS
(C)		BOLT	1/4" x 15mm	4 PCS
(D)		BOLT	1/4" x 38mm	12 PCS
(E)		BOLT	3/16" x 8mm	4 PCS
(F)		SUCTION CUP	8mm	8 PCS
(G)		END CAP	12mm	4 PCS
(H)		OPEN WRENCH		1 PC
(I)		ALLEN WRENCH	1/4"	1 PC



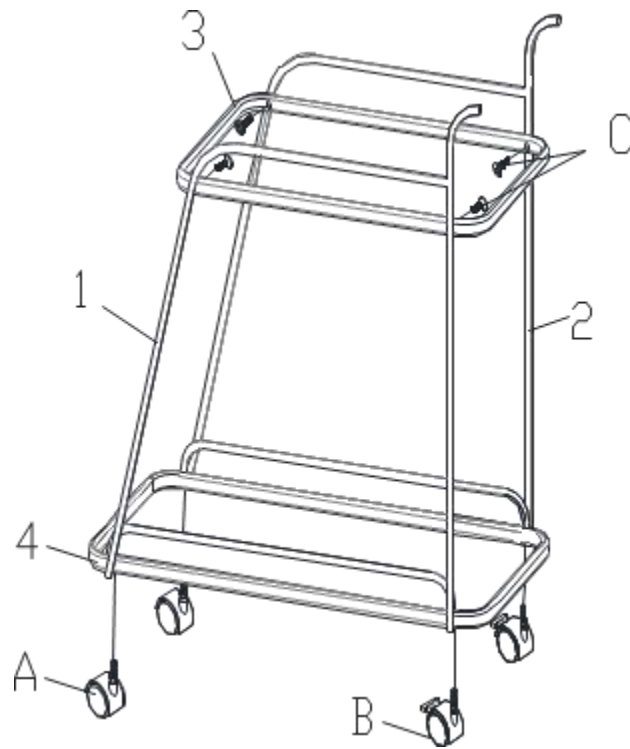
Attention

***Some number parts listed on the instruction sheet may not be in parts bag as they may be assembled.

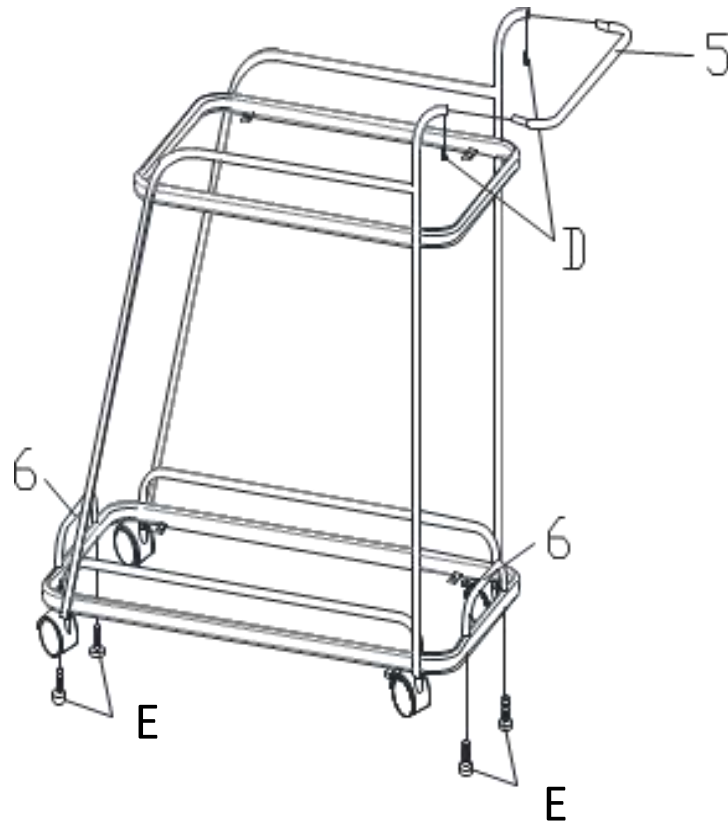
Carefully check parts and packing materials prior to ordering replacements.

How to assemble:

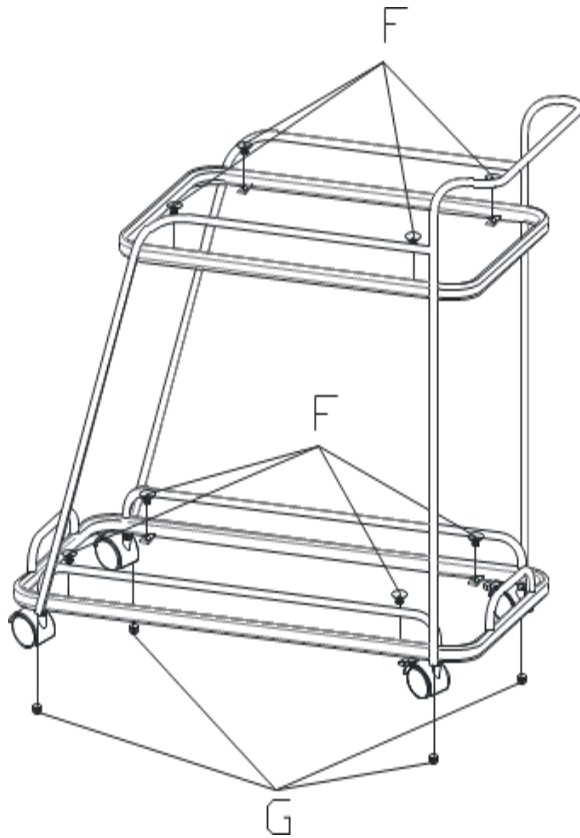
STEP 1



STEP 2



STEP 3



STEP 4

