

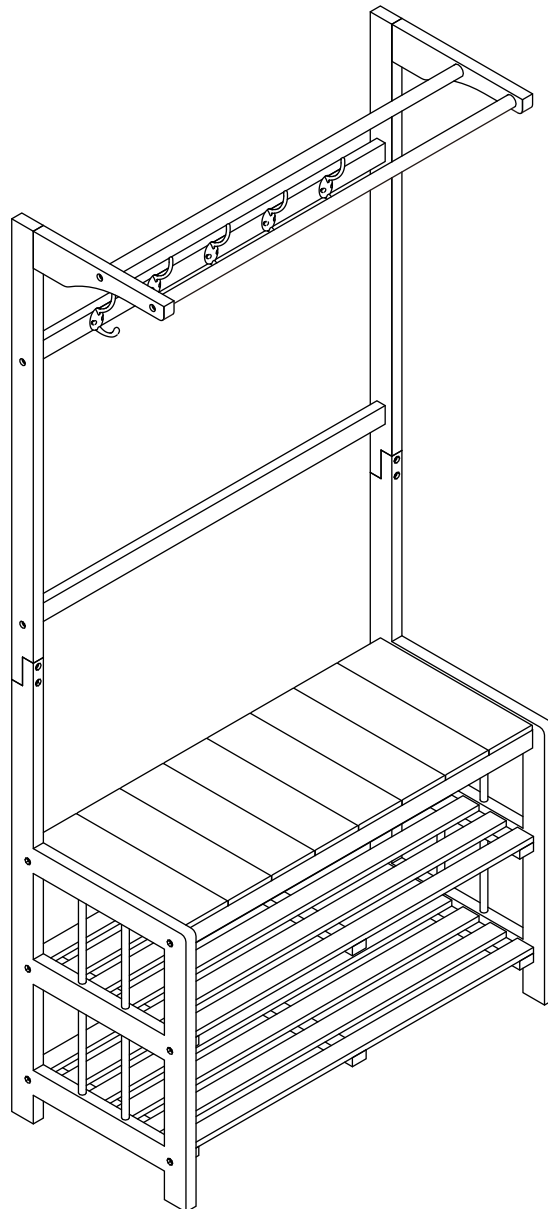
ASSEMBLY INSTRUCTION FOR ACME FURNITURE

MODEL#97832

Thank you for purchasing the quality product. Be sure to check all packing material carefully for small parts which may have come loose inside the carton during shipment. Separate, identify and count all parts and metal hardware. Compare with all parts are present. If any part(s) are missing or damaged, please contact your local furniture dealer. For efficient and speedy service, please indicate the model number and code letter of part(s) needed.

*****Do not fully tighten screws until fully assembled.*****

CABINET



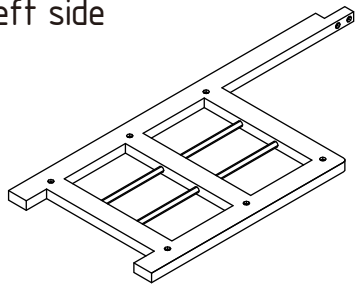
DIMENSIONS

Width - 31.65"
Depth - 14.96"
Height - 66.38"

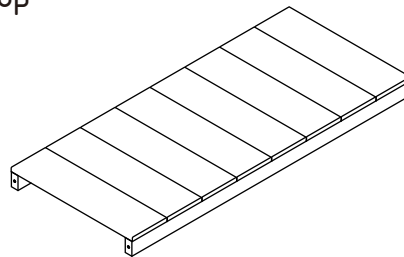
97832

PARTS LIST

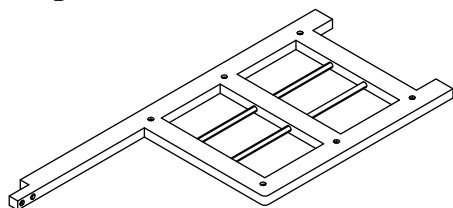
A X1 Left side



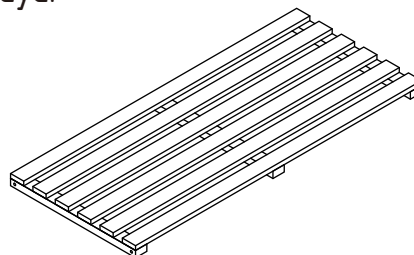
G X1 Top



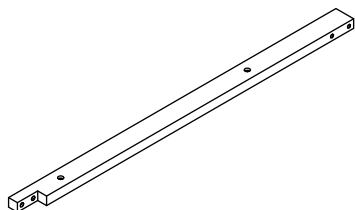
B X1 Right side



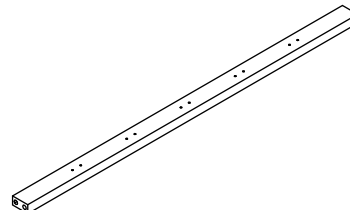
H X2 Layer



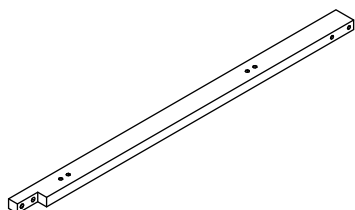
C X1 Upper left side



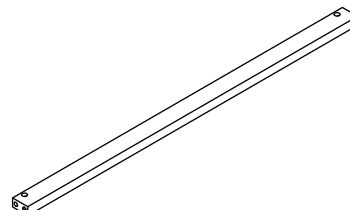
I X1 Top back



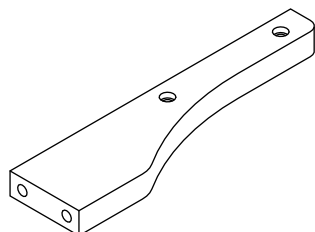
D X1 Upper right side



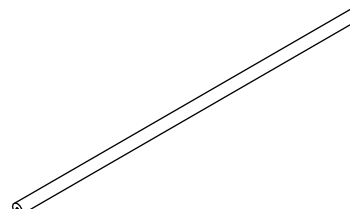
J X1 Bottom back



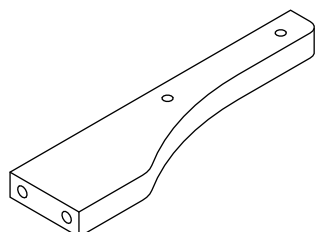
E X1 Left support



K X2 Top support



F X1 Right support

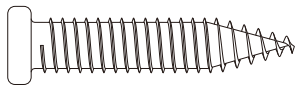


HARDWARE LIST

① X4 Dowel 8*30mm



② X16 Bolt 2*37mm



③ X4 Bolt 2*35mm



④ X8 Bolt 2*54mm



⑤ X4 Nut 2*13mm



⑥ X5 Hook



⑦ X10 Wood screw 3*12mm



⑧ X4 Foot nail



⑨ X1 Glue



⑩ X1 Allen wrench

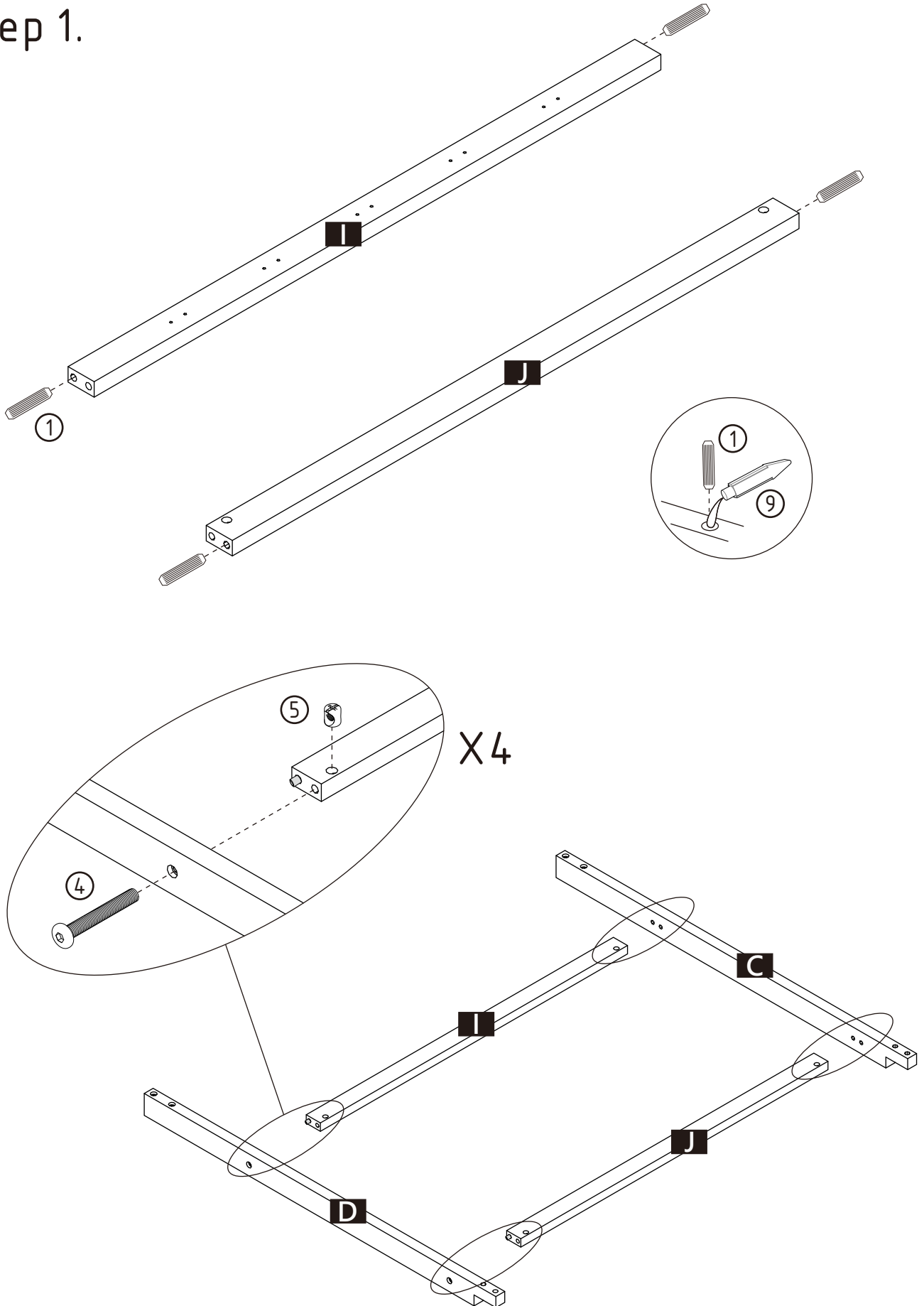


Attention

Some number parts listed on the instruction sheet may not be in parts bag as they may already be assembled. Carefully check parts and packing materials prior to ordering replacements.

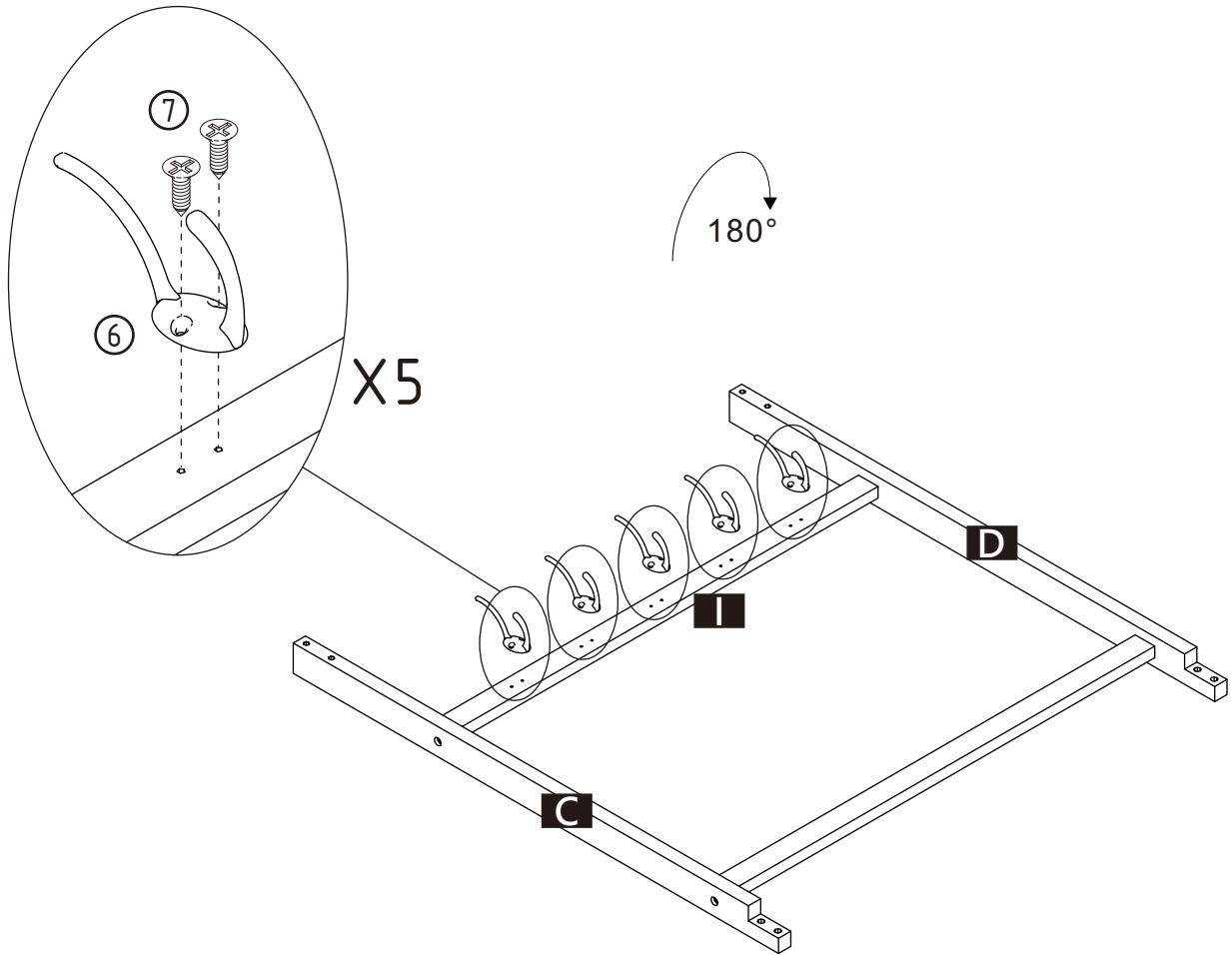
ASSEMBLY INSTRUCTIONS

Step 1.

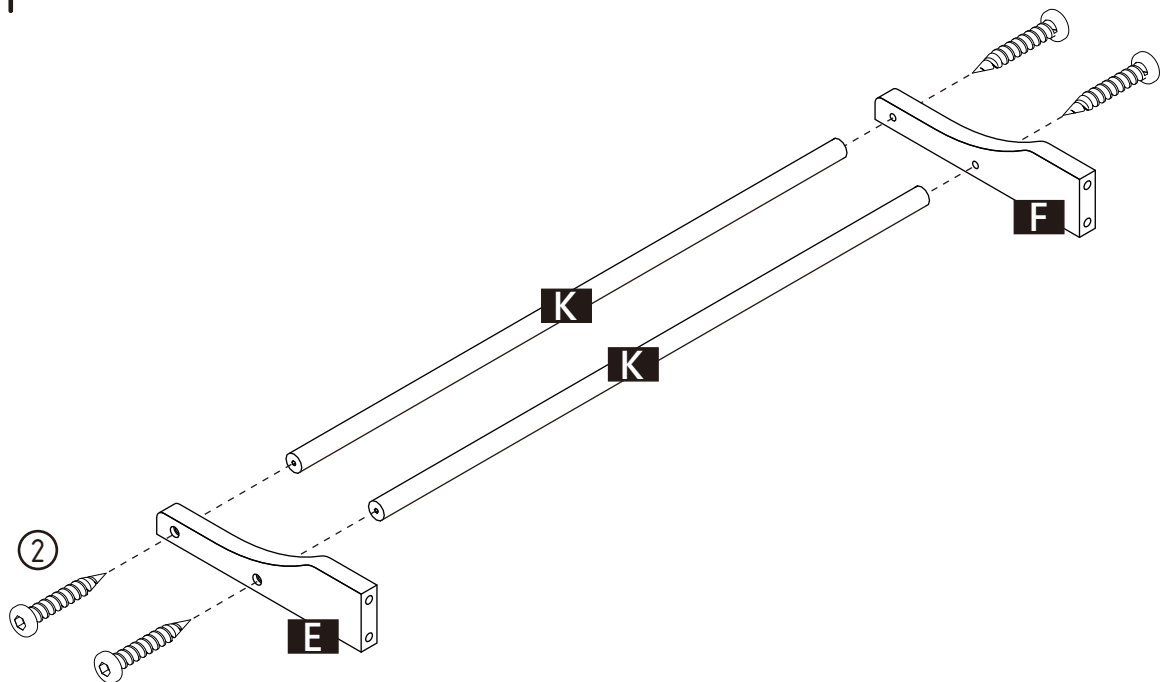


ASSEMBLY INSTRUCTIONS

Step 2.

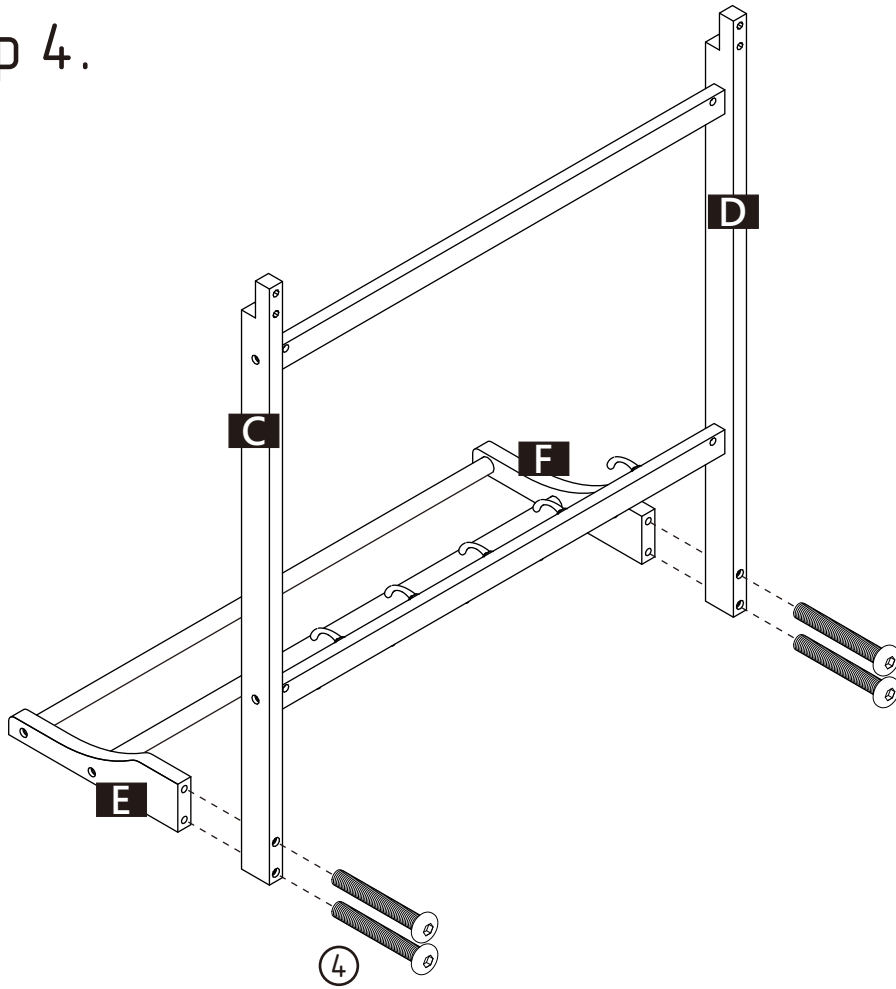


Step 3.

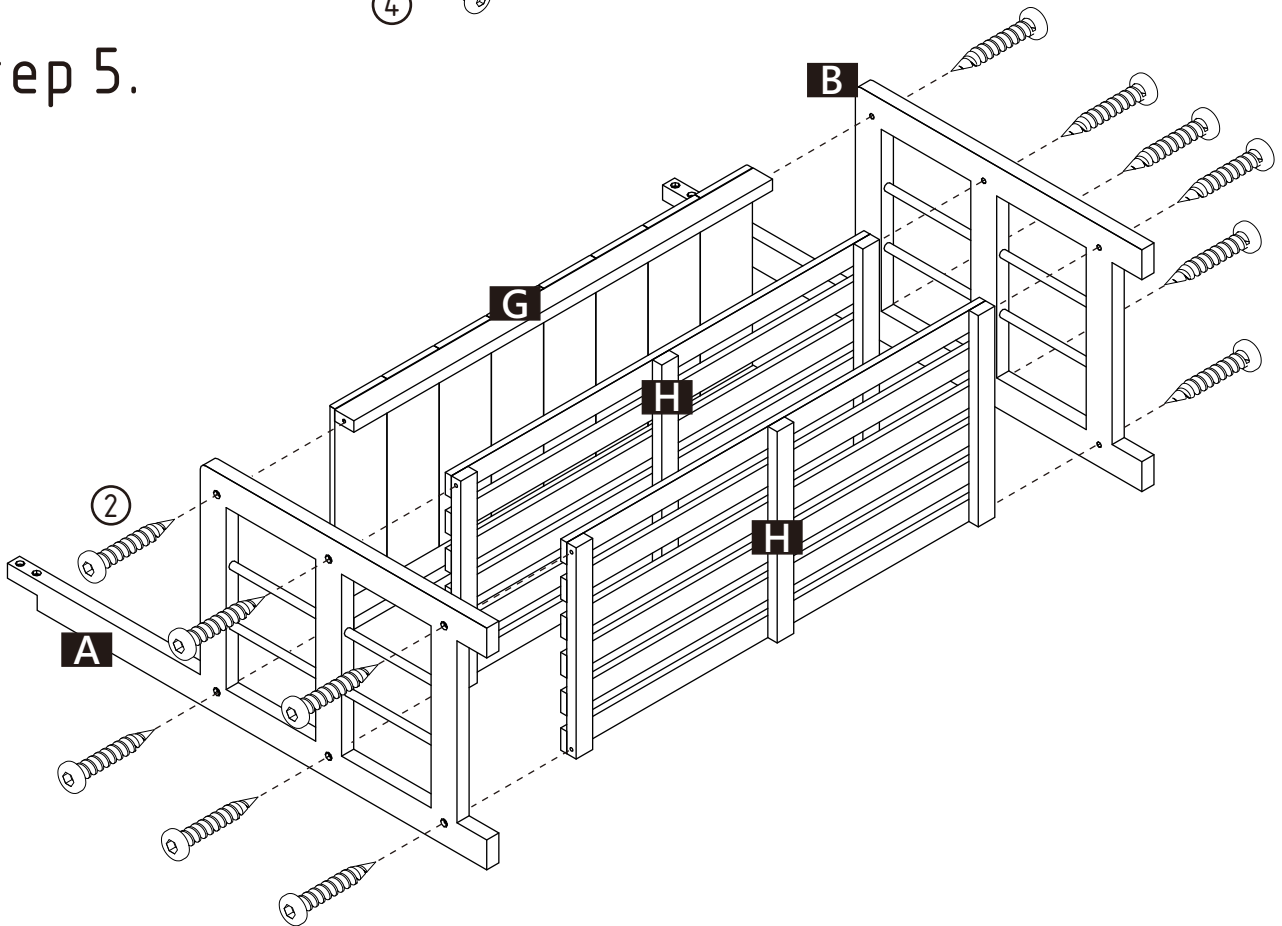


ASSEMBLY INSTRUCTIONS

Step 4.

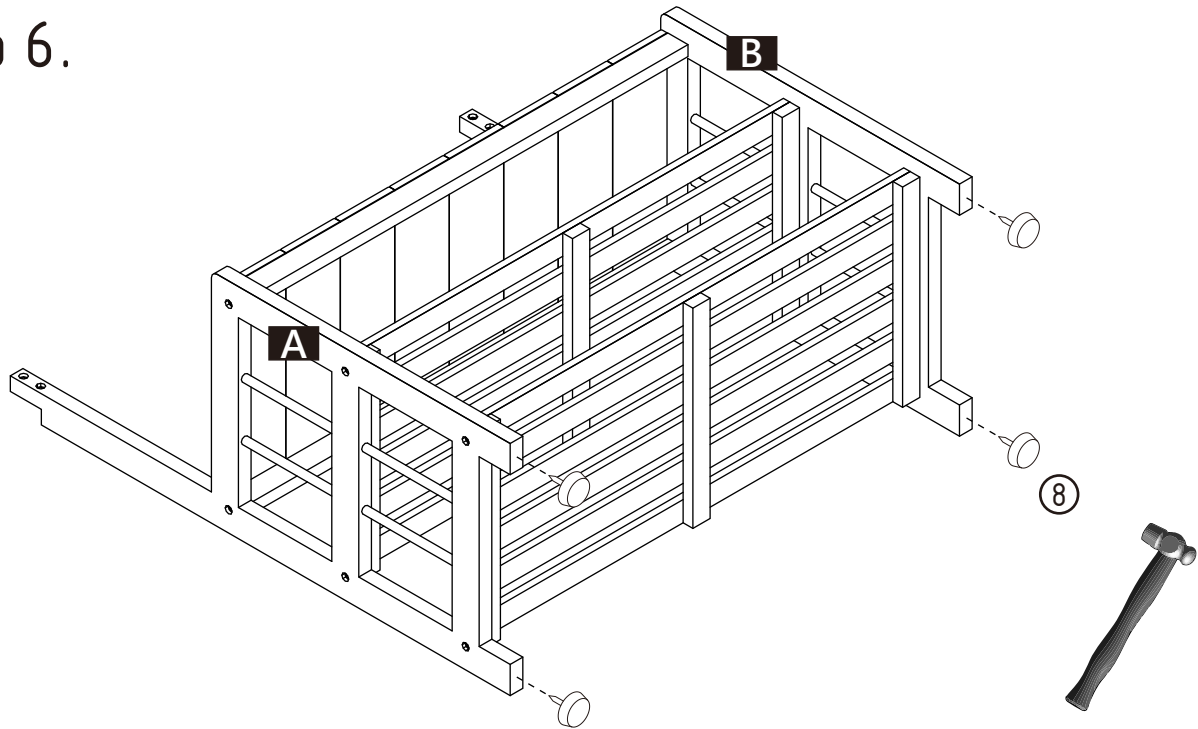


Step 5.

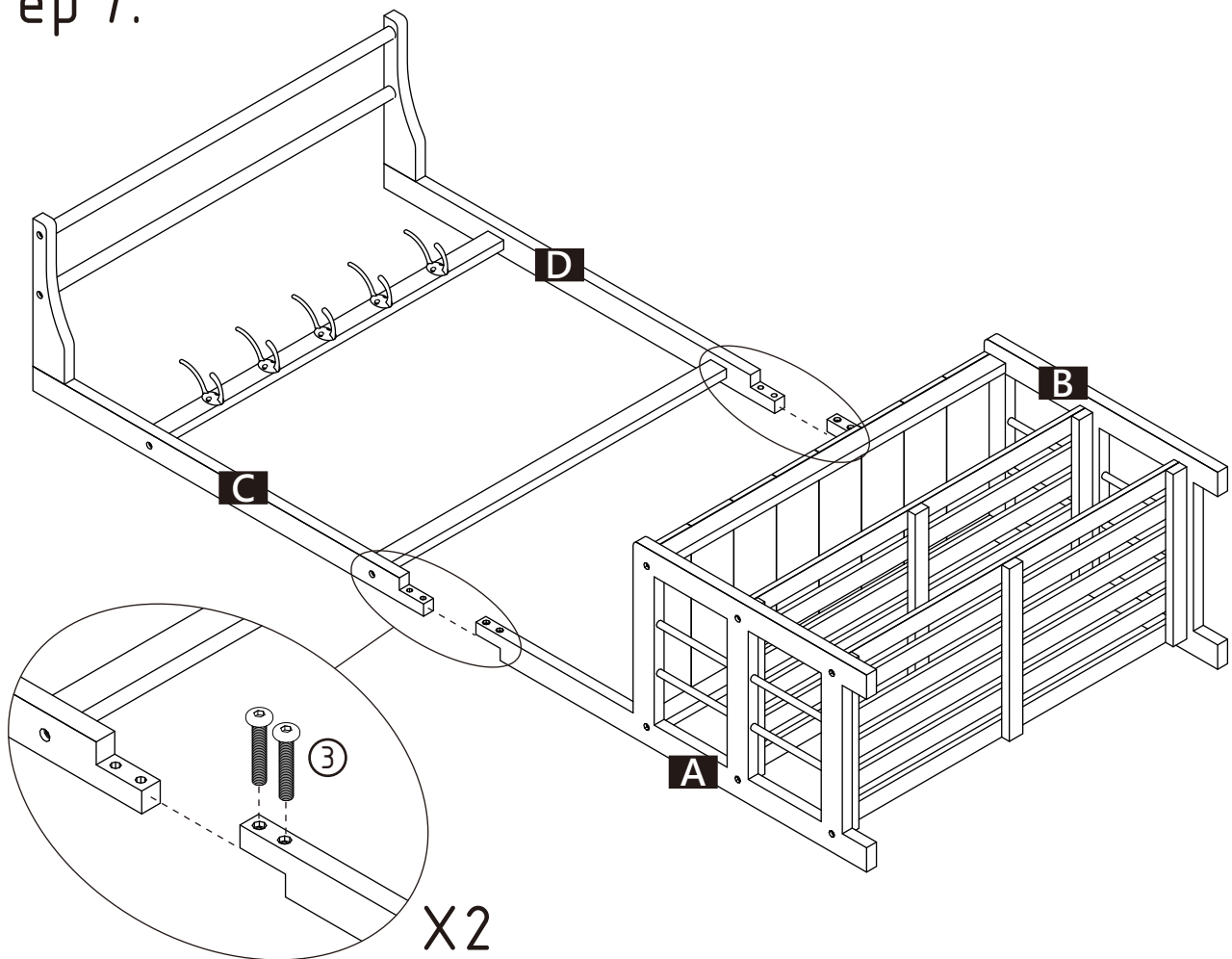


ASSEMBLY INSTRUCTIONS

Step 6.



Step 7.



ASSEMBLY IS COMPLETED.

Make sure the product is rested on a flat surface and does not feel loose or wobbly. If it does, double check that the bolts/screws are secured and properly tightened.