

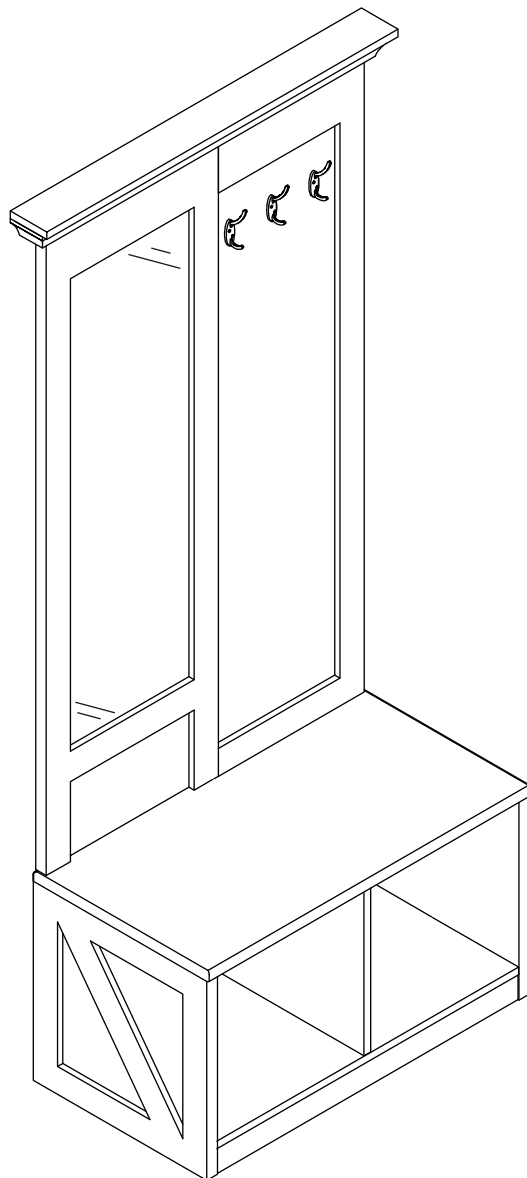
ASSEMBLY INSTRUCTION FOR ACME FURNITURE

MODEL#97830

Thank you for purchasing the quality product. Be sure to check all packing material carefully for small parts which may have come loose inside the carton during shipment. Separate, identify and count all parts and metal hardware. Compare with all parts are present. If any part(s) are missing or damaged, please contact your local furniture dealer. For efficient and speedy service, please indicate the model number and code letter of part(s) needed.

*****Do not fully tighten screws until fully assembled.*****

CABINET



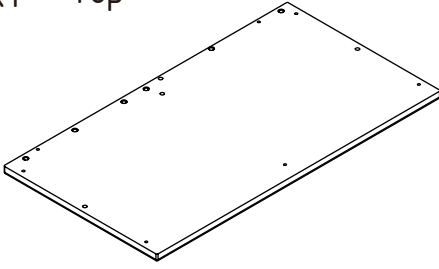
DIMENSIONS

Width - 31.5"
Depth - 16.54"
Height - 67.76"

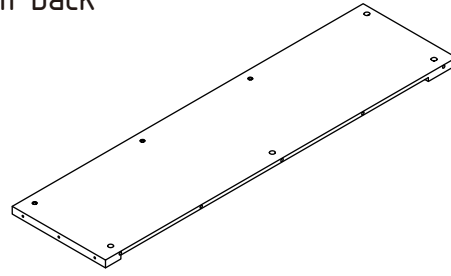
97834

PARTS LIST

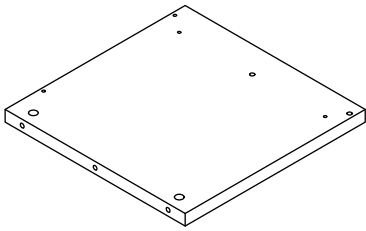
A X1 Top



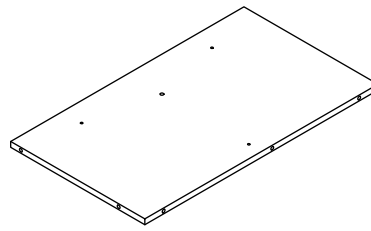
G X1 Right back



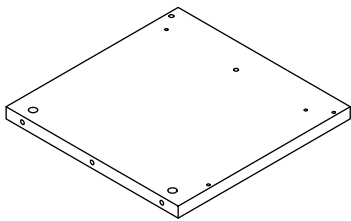
B X1 Left side



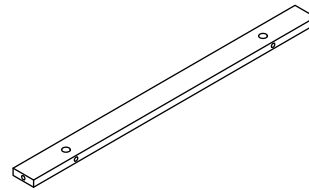
H X1 Bottom back



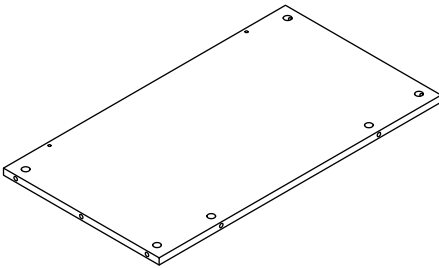
C X1 Right side



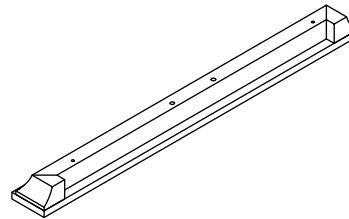
I X1 Support



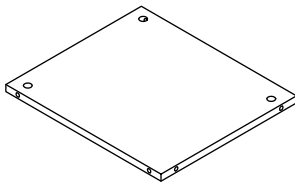
D X1 Bottom



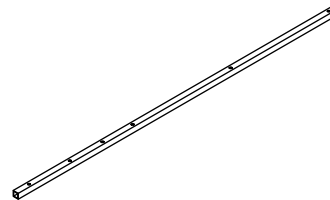
J X1 Trim



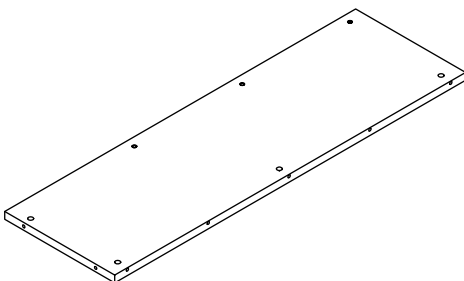
E X1 Middle



K X2 Iron tube



F X1 Left back



HARDWARE LIST

① X22 Cam bolt 7*35*12.5mm



② X28 Cam lock 15*9mm



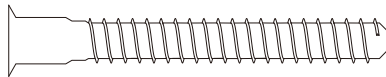
③ X12 Dowel 8*30mm



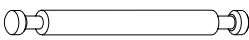
④ X2 Dowel 8*50mm



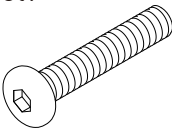
⑤ X6 Coarse screw 7*11*50mm



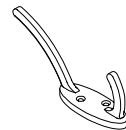
⑥ X3 Cam bolt 68mm



⑦ X12 Bolt 2*30mm



⑧ X3 Hook



⑨ X6 Wood screw 3*12mm



⑩ X4 Pipe plug 20mm*20mm



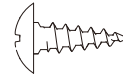
⑪ X4 Foot nail



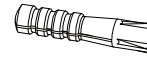
⑫ X1 Wall mounted strap 25*152mm



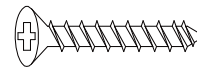
⑬ X1 Wood screw 4*16mm



⑭ X1 Wall anchor 1-1/8"



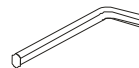
⑮ X1 Wood screw 8#*1"



⑯ X1 Glue



⑰ X1 Allen wrench

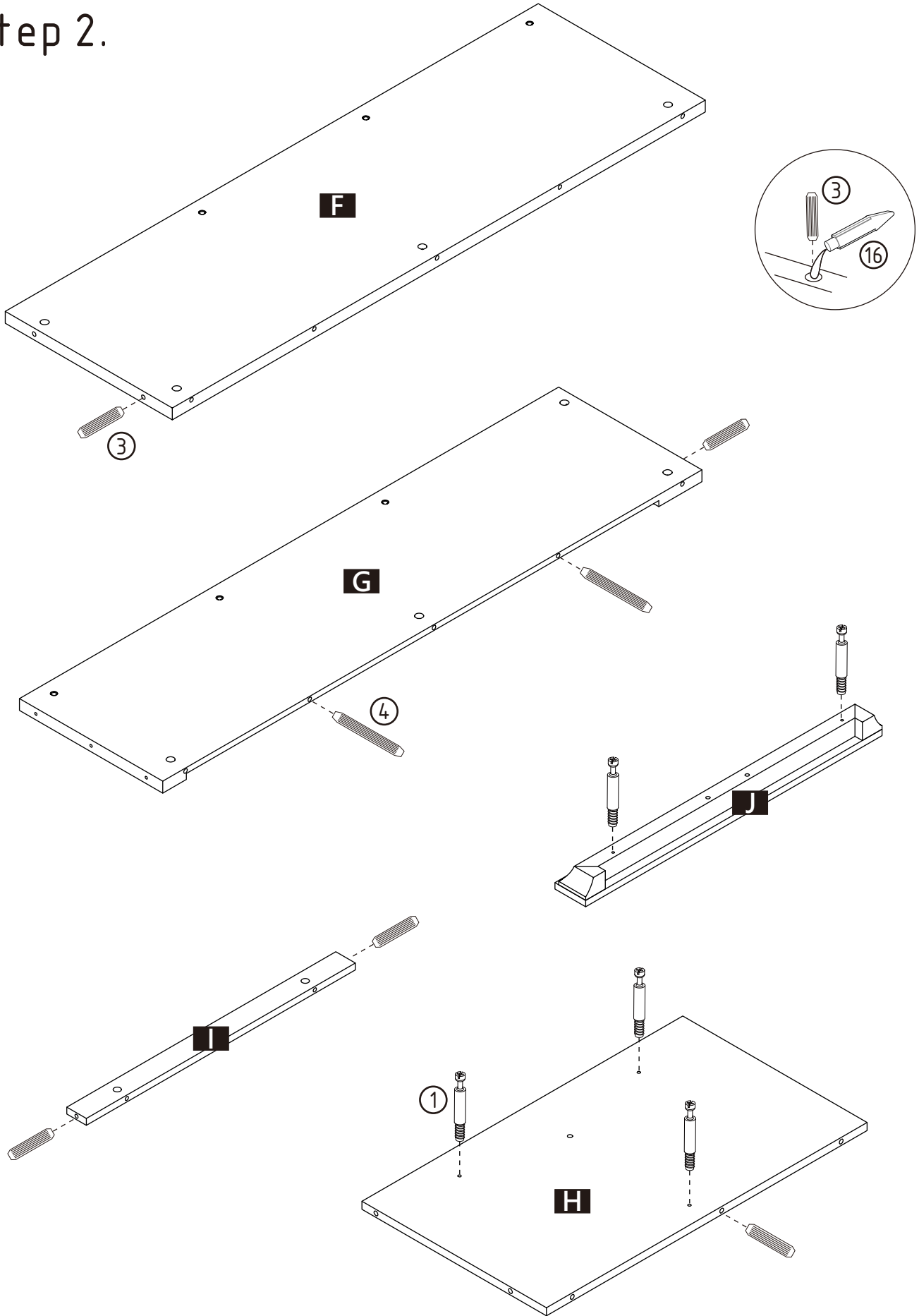


Attention

Some number parts listed on the instruction sheet may not be in parts bag as they may already be assembled. Carefully check parts and packing materials prior to ordering replacements.

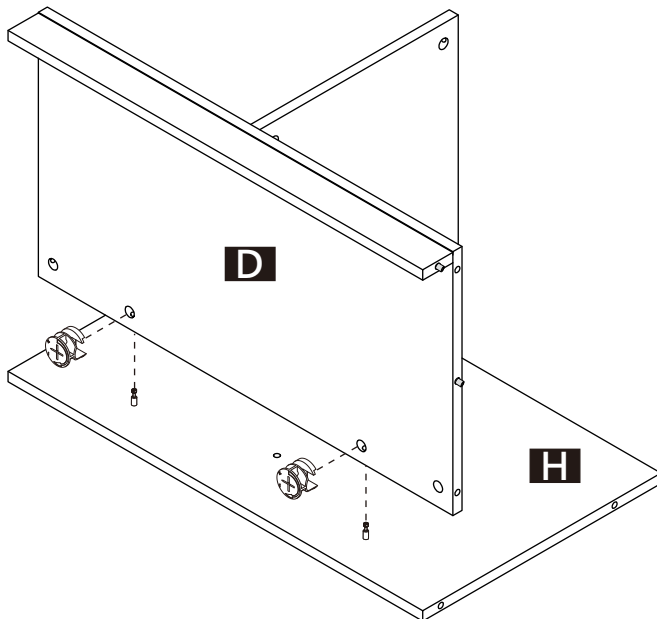
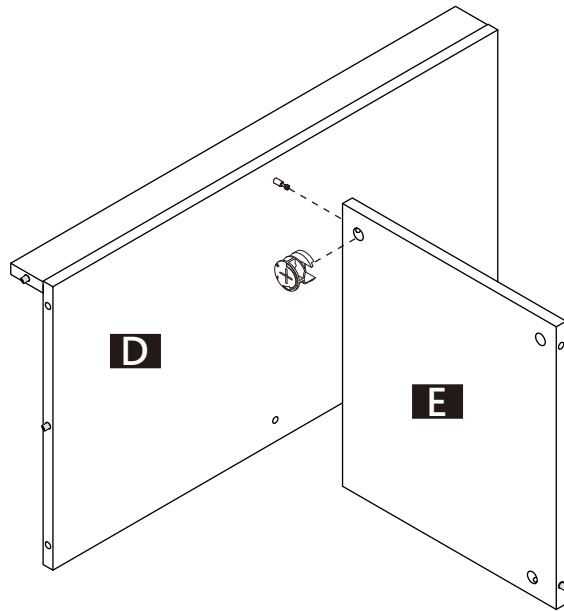
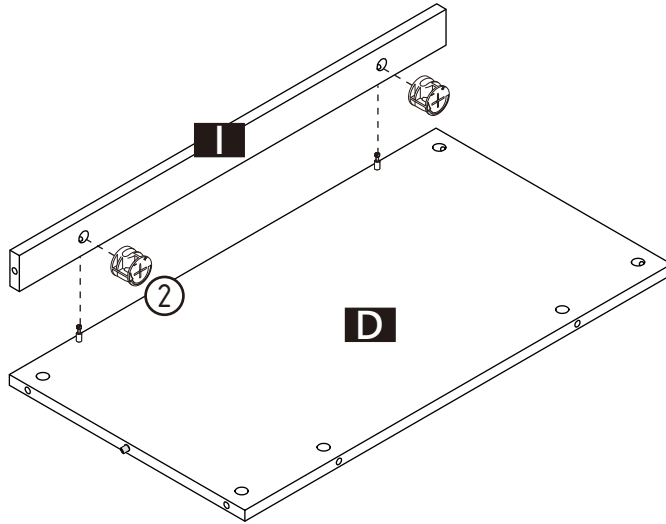
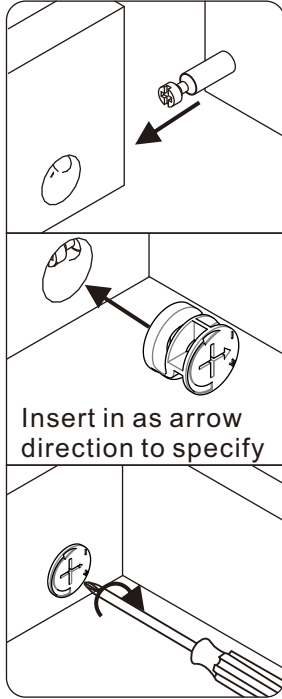
ASSEMBLY INSTRUCTIONS

Step 2.



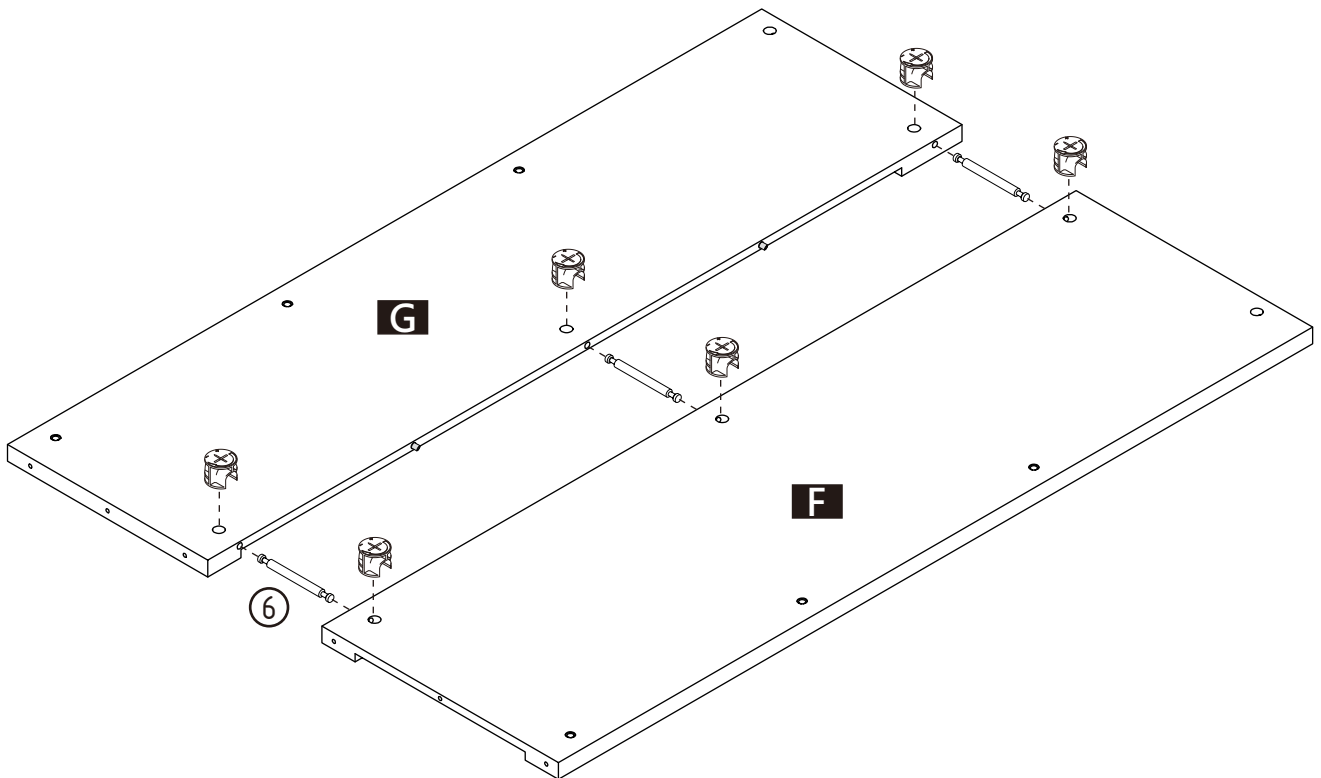
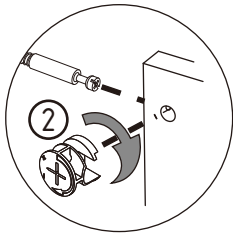
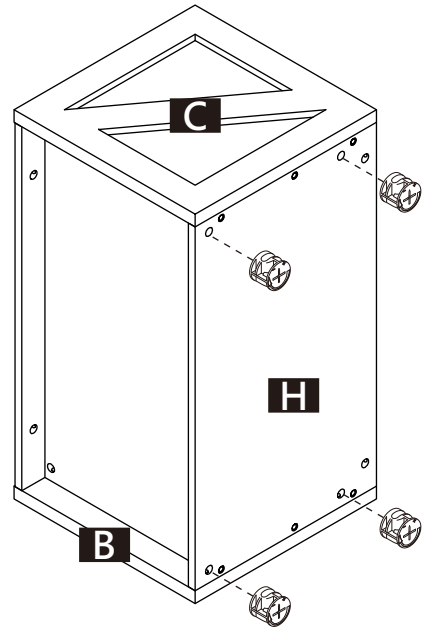
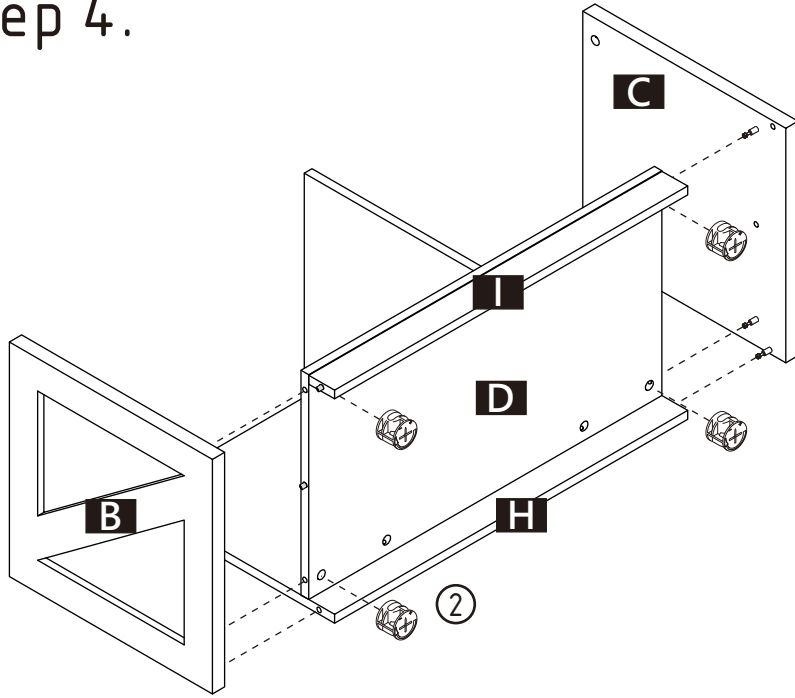
ASSEMBLY INSTRUCTIONS

Step 3.



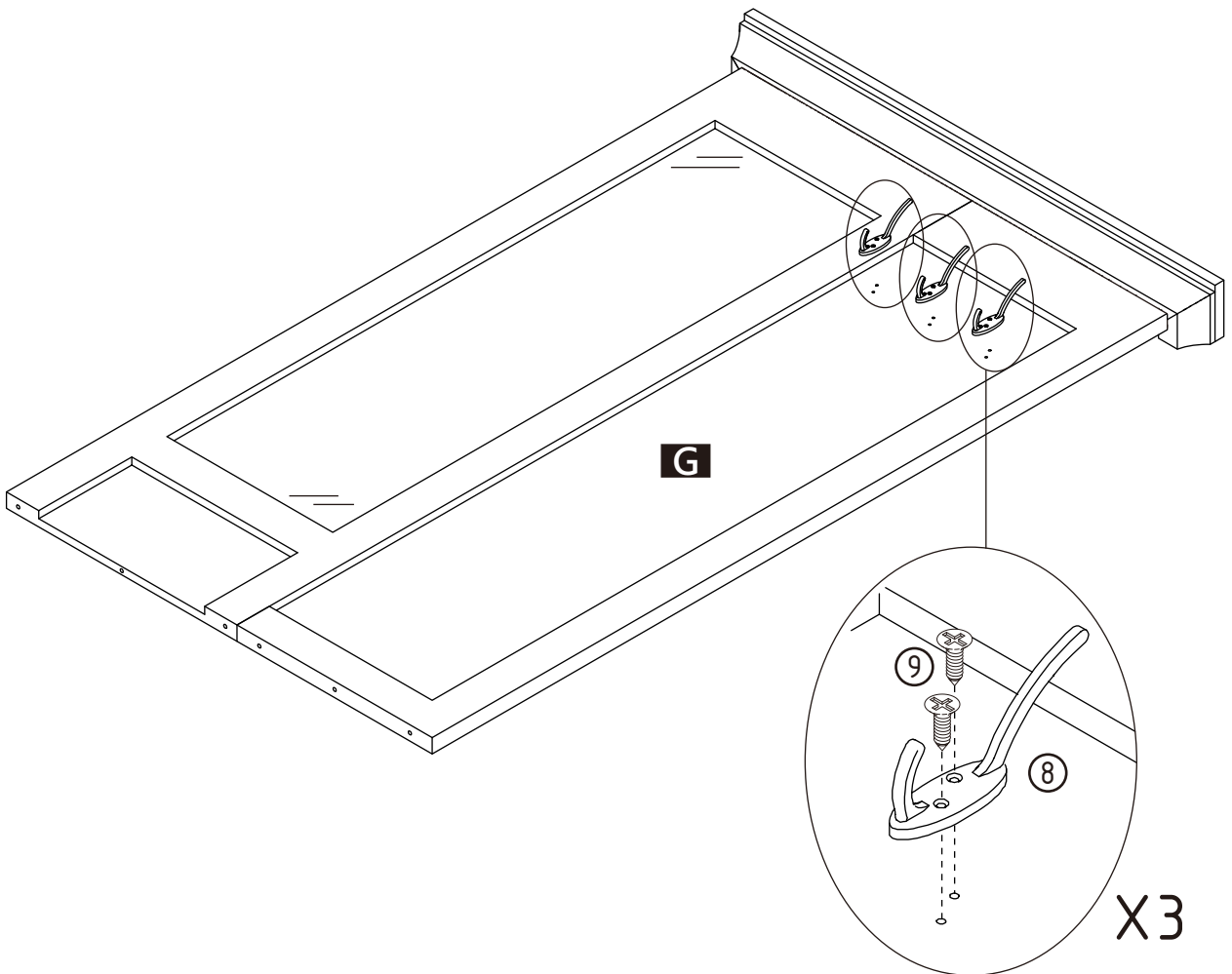
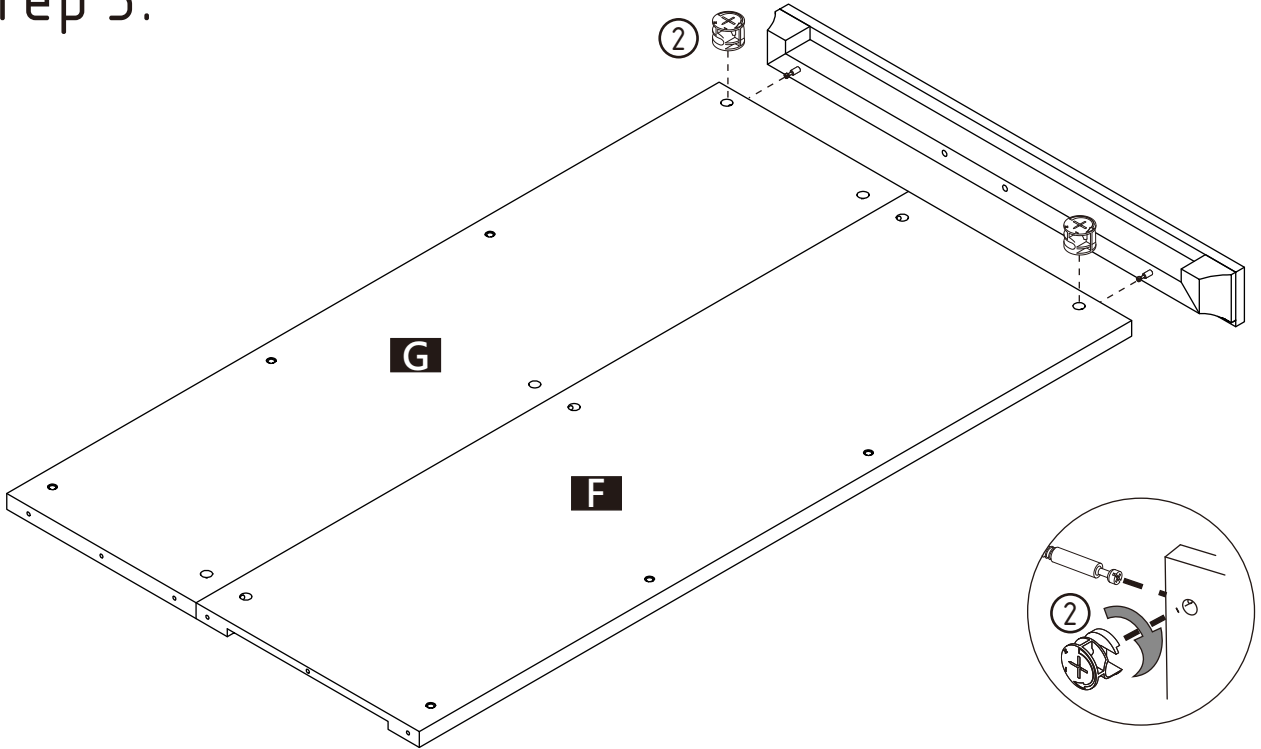
ASSEMBLY INSTRUCTIONS

Step 4.



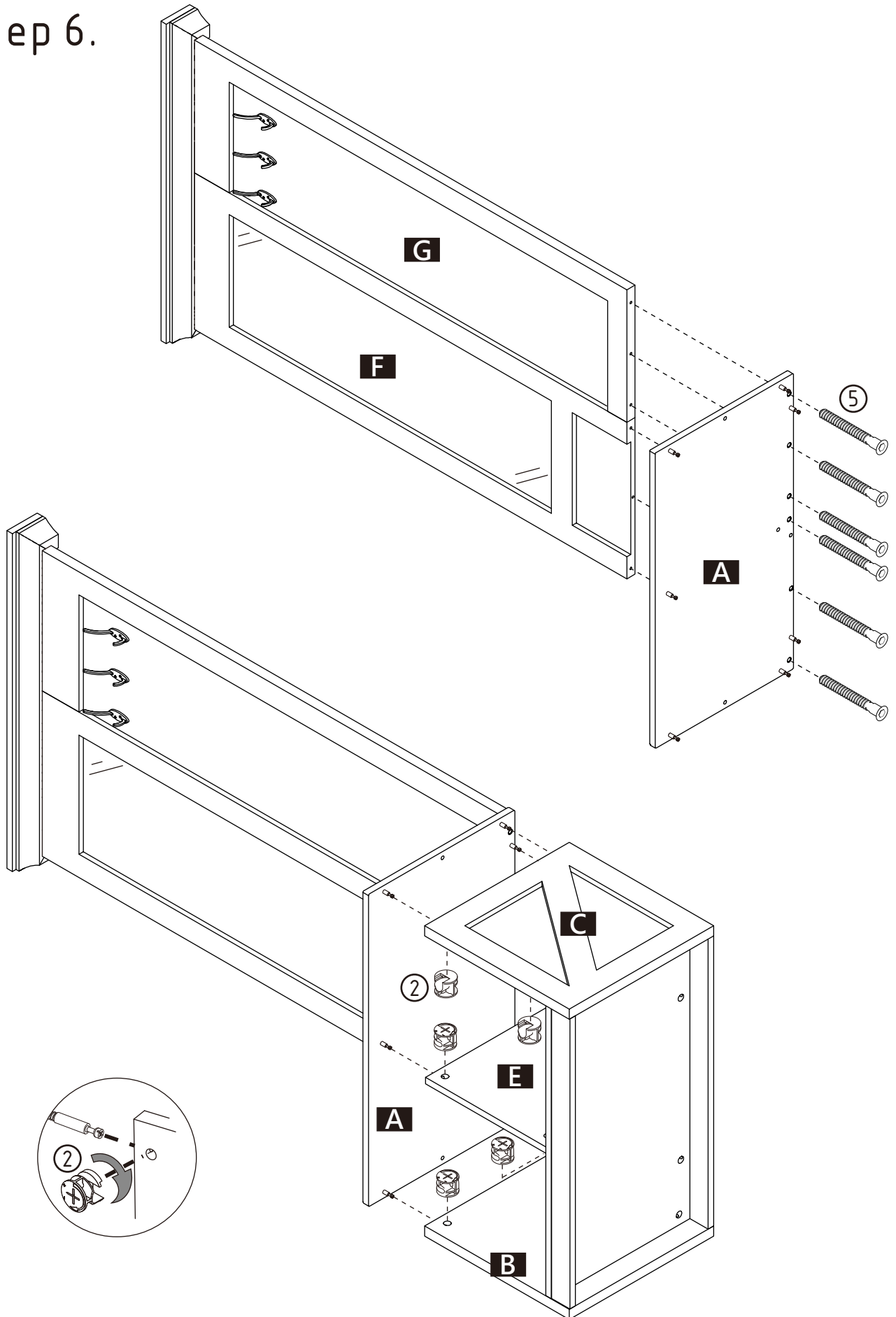
ASSEMBLY INSTRUCTIONS

Step 5.



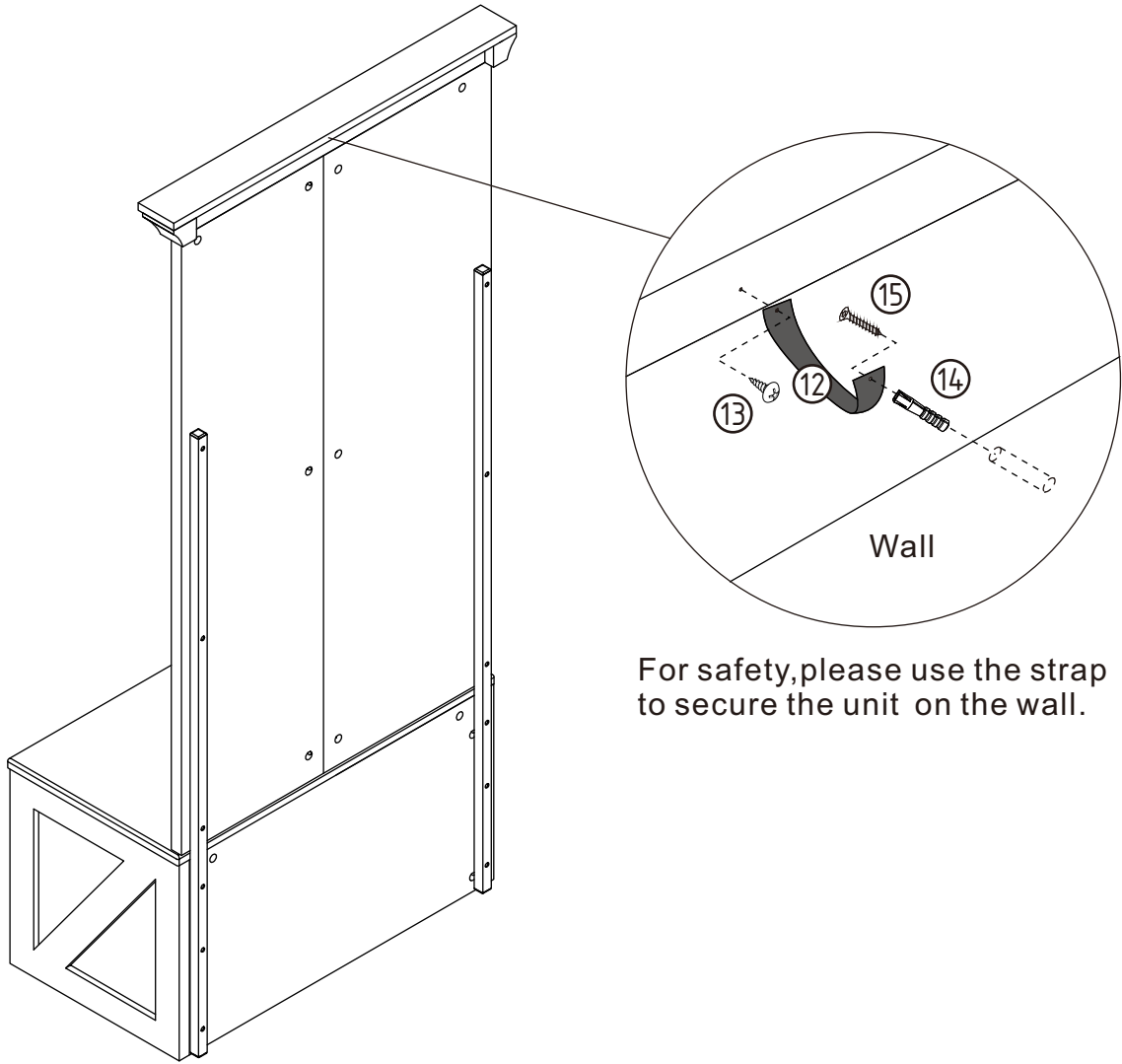
ASSEMBLY INSTRUCTIONS

Step 6.



ASSEMBLY INSTRUCTIONS

Step 8.



For safety, please use the strap to secure the unit on the wall.

ASSEMBLY IS COMPLETED.

Make sure the product is rested on a flat surface and does not feel loose or wobbly. If it does, double check that the bolts/screws are secured and properly tightened.