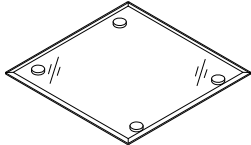
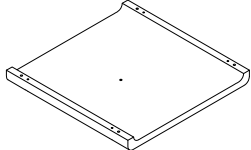
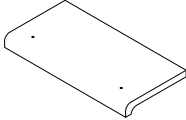
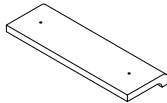
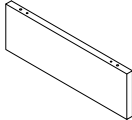
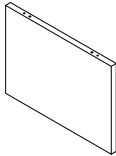



ASSEMBLY INSTRUCTION FOR ACME FURNITURE

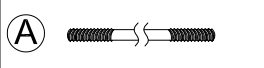
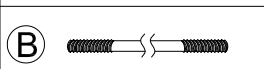
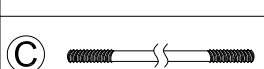
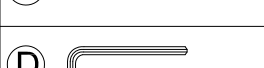
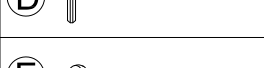
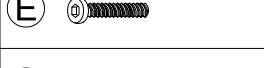


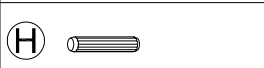

MODEL# 82362 End Table

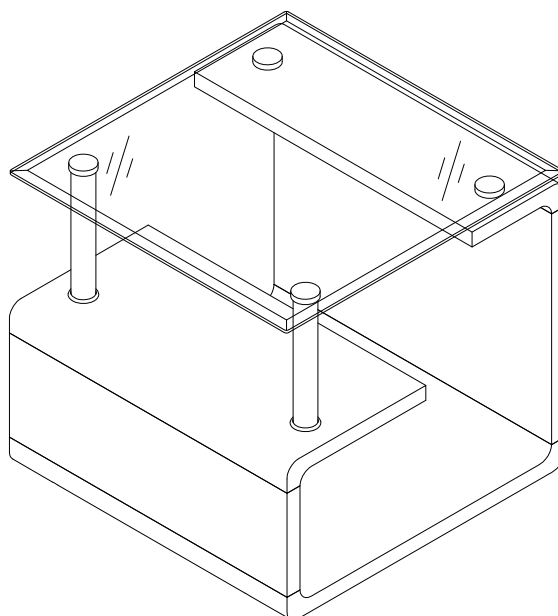
Thank you for purchasing this quality product. Be sure to check all packing materials carefully for small parts which may have come loose inside the carton during shipment. Separate, identify, and count all parts and metal hardware. Compare with parts list to be sure all parts are present. If any part(s) are missing or damaged, please contact your local furniture dealer. For efficient and speedy service, please indicate the model number and code letter of the part(s) needed.

***** Do not fully tighten screws until fully assembled *****

COMPONENT PARTS		
DECERPTION	PART NAME	Q'TY(PCS)
①	Top Glass 	1pc
②	Bottom Wood 	1pc
③	Middle Shelf 	1pc
④	Top Wood 	1pc
⑤	Small Vertical Side Panel 	1pc
⑥	Big Vertical Side Panel 	1pc
⑦	Support Tube 	3pcs

HARDWARE REQUIRED:

	Rod 5/16"x10-3/8" - 4pcs
	Rod 5/16"x11-3/8" - 1pc
	Rod 5/16"x19-5/8" - 2pcs
	Allen Wrench M5 - 1pc
	Bolt 5/16"x1-3/8" - 2pcs
	Washer Ø18xØ9x1.0 - 9pcs
	Nut M8 - 7pcs
	Wood Dowel Ø6x30 - 8pcs
	Plastic Washer Ø47x4.0 - 4pcs
	Socket Wrench M8 - 1pc



Attention:

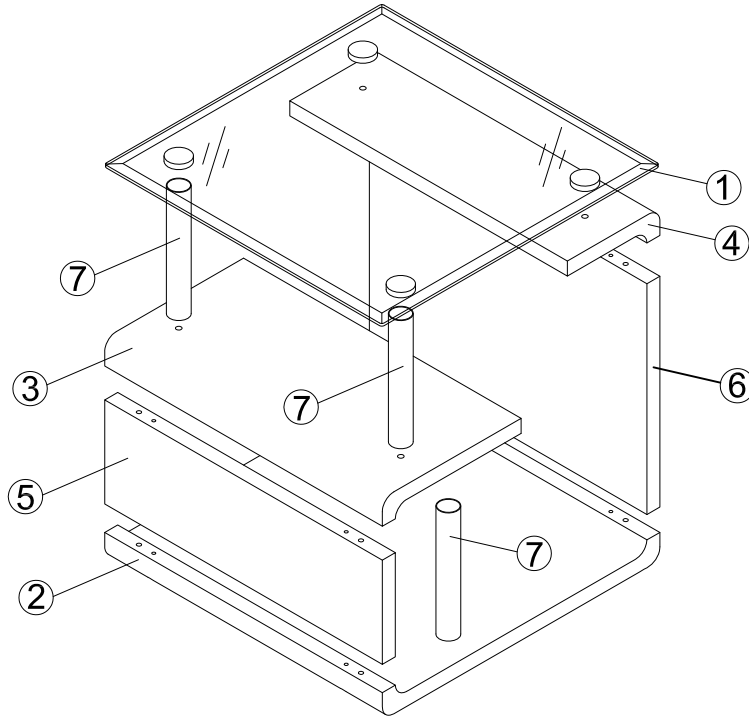
***Mattresses not included.

***Some number parts listed on the instruction sheet may not be in parts bag as they may already be assemble.
Carefully check parts and packing materials prior to ordering replacements.

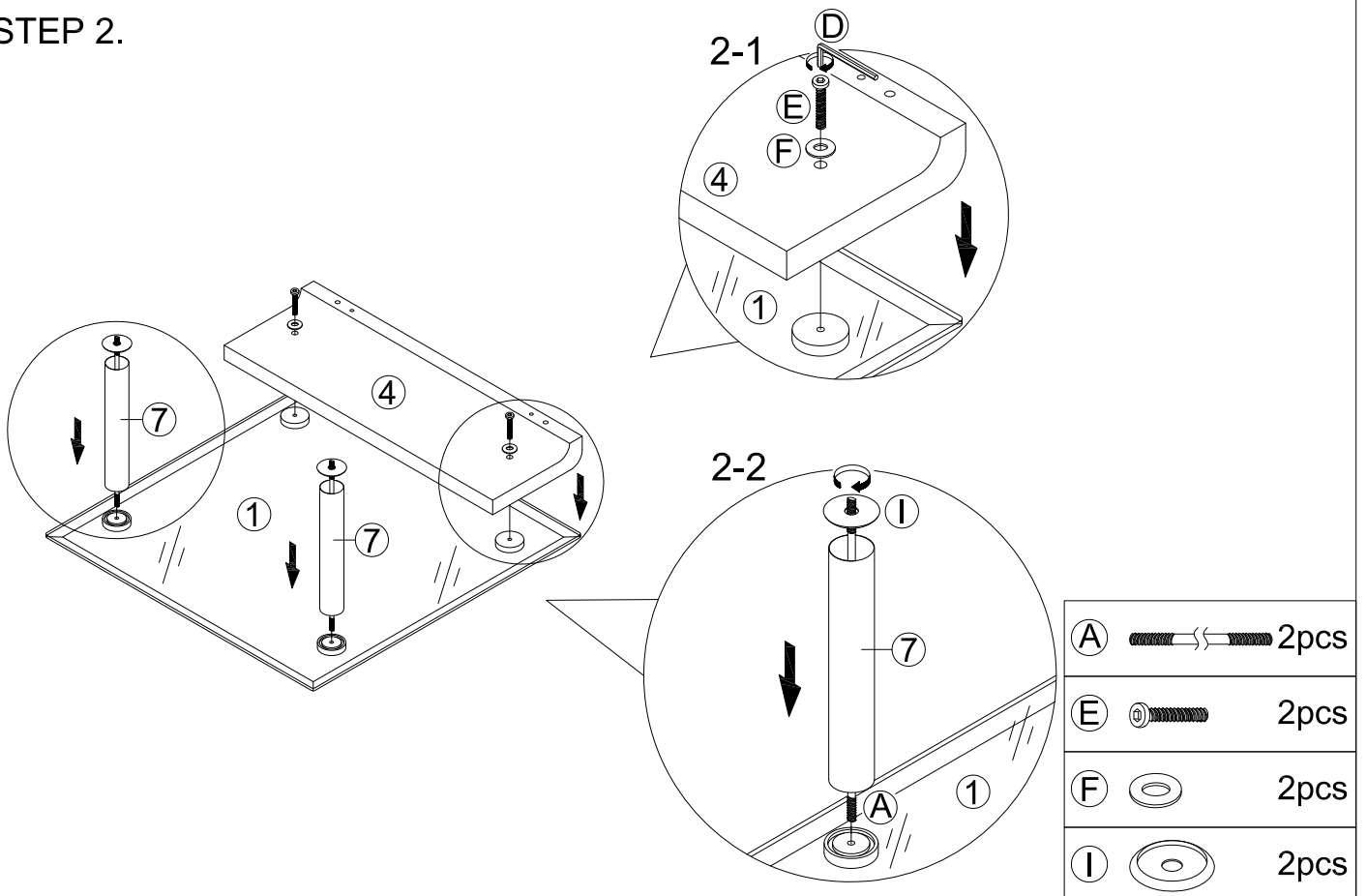
How to Assemble:

STEP 1.

Exploded View

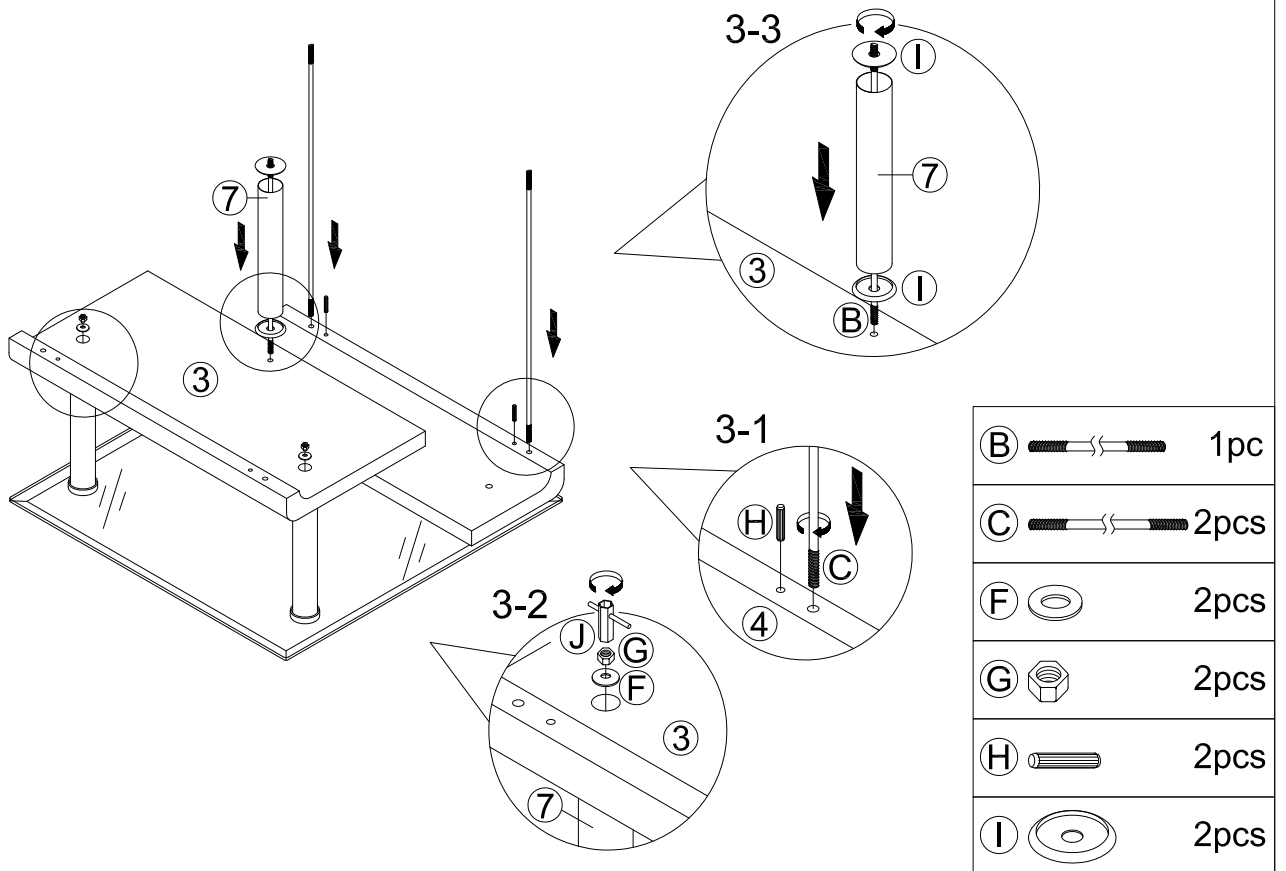


STEP 2.

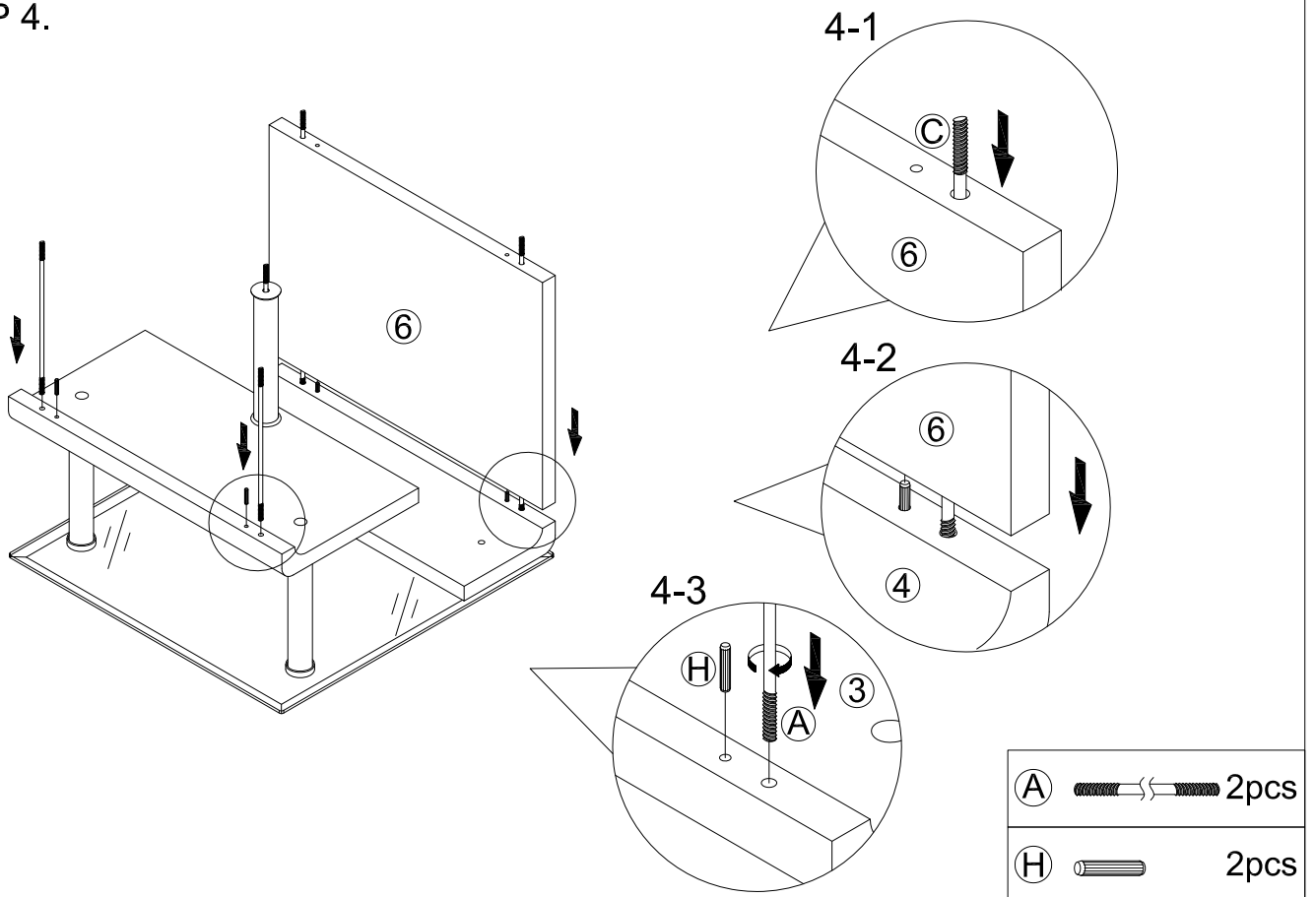


How to Assemble:

STEP 3.

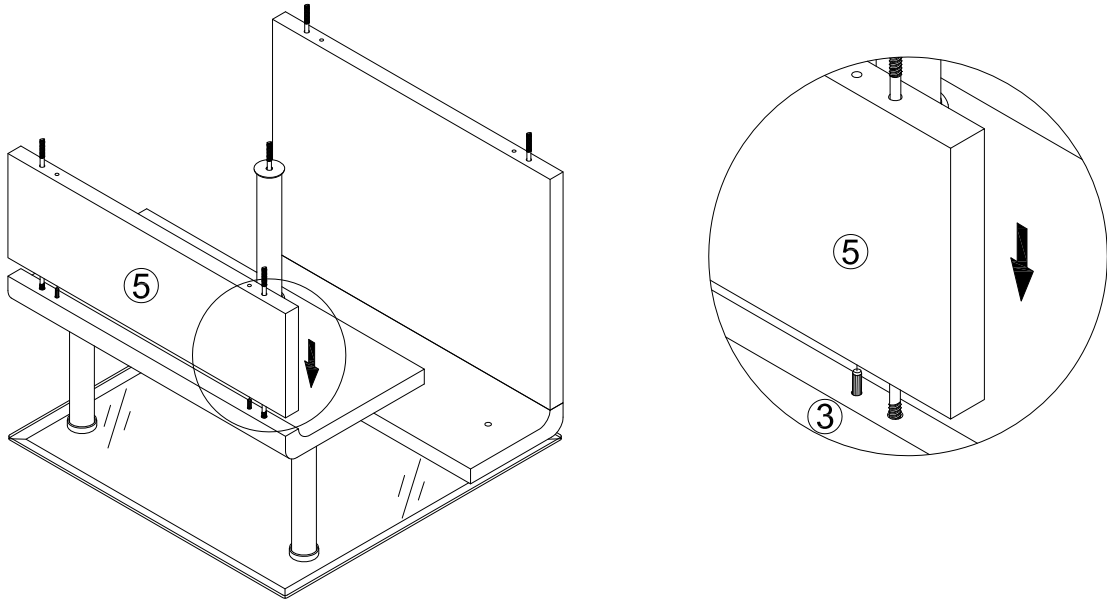


STEP 4.

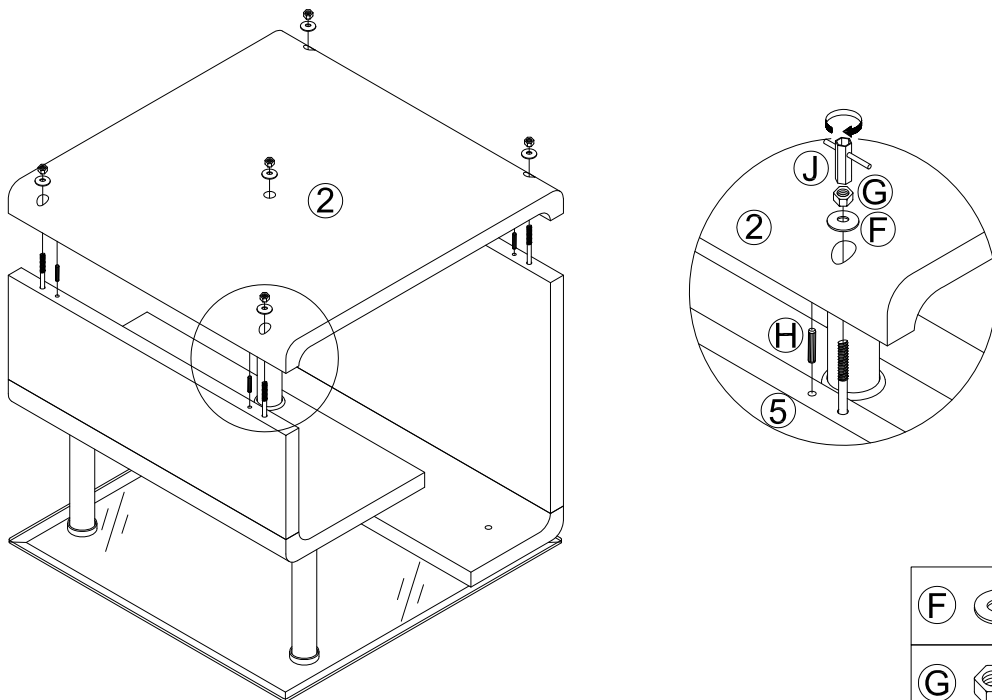





How to Assemble:

STEP 5.



STEP 6.



(F)		5pcs
(G)		5pcs
(H)		4pcs