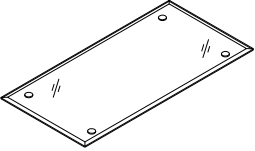
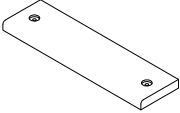
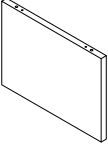
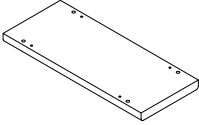
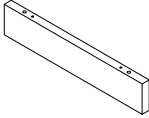
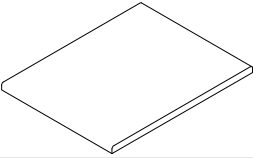
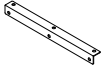


ASSEMBLY INSTRUCTION FOR ACME FURNITURE

MODEL# 82360 Coffee Table

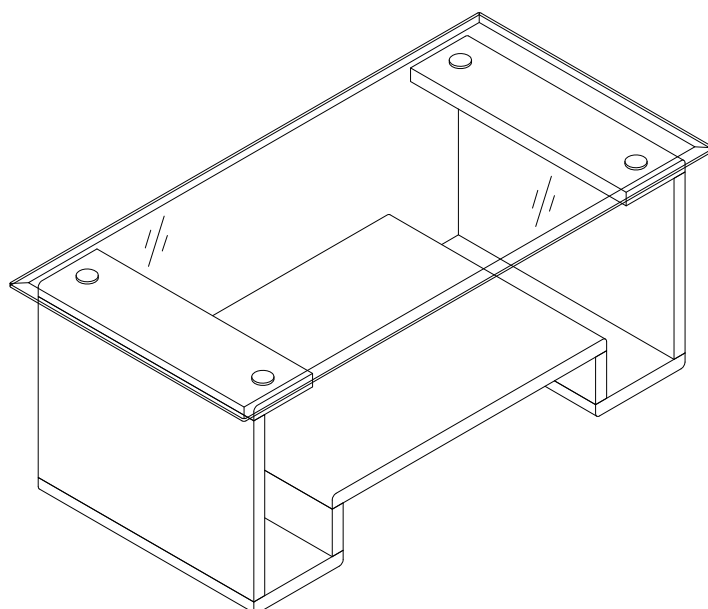
Thank you for purchasing this quality product. Be sure to check all packing materials carefully for small parts which may have come loose inside the carton during shipment. Separate, identify, and count all parts and metal hardware. Compare with parts list to be sure all parts are present. If any part(s) are missing or damaged, please contact your local furniture dealer. For efficient and speedy service, please indicate the model number and code letter of the part(s) needed.

***** Do not fully tighten screws until fully assembled *****

COMPONENT PARTS		
DECERPTION	PART NAME	Q'TY(PCS)
①	Top Glass 	1pc
②	Top Board 	2pcs
③	Side Board 	2pcs
④	Bottom Board 	2pcs
⑤	Connection Board 	2pcs
⑥	Middle Board 	1pc
⑦	Fitting 	2pcs

HARDWARE REQUIRED:

(A)	Bolt 5/16"x1-1/8" - 4pcs
(B)	Bolt 1/4"x5/8" - 12pcs
(C)	Rod 1/4"x5-7/8" - 4pcs
(D)	Rod 1/4"x17-1/2" - 4pcs
(E)	Nut M6 - 8pcs
(F)	Allen Wrench M4 - 1pc
(G)	Allen Wrench M5 - 1pc
(H)	Socket Wrench M6 - 1pc
(I)	Dowel Ø6x30 - 16pcs
(J)	Adjustable Foot M6x16 - 8pcs
(K)	Washer Ø18xØ9x1.0 - 12pcs



Attention:

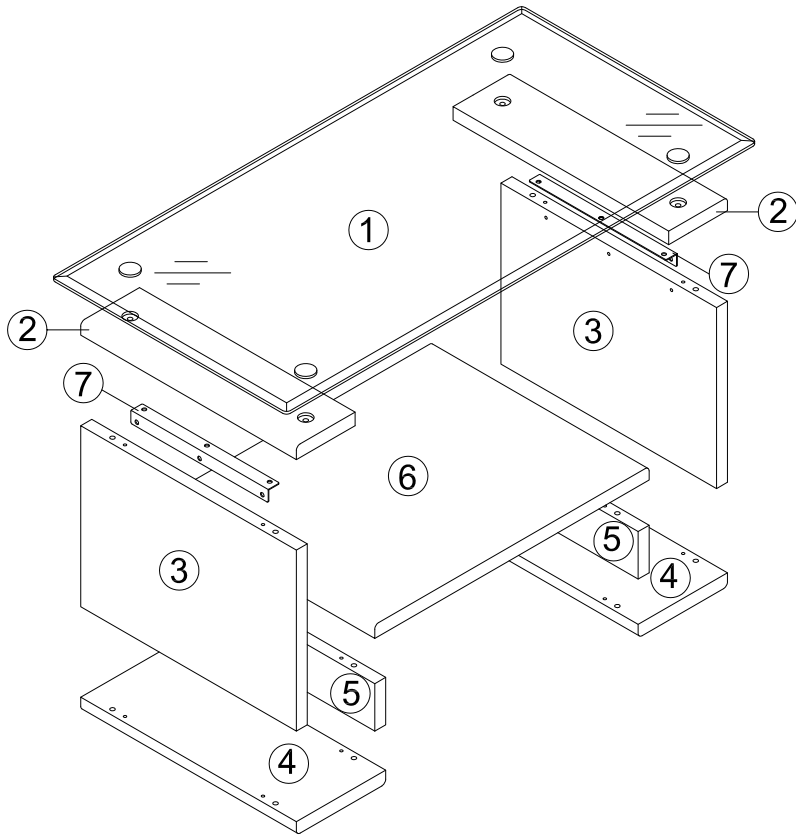
***Mattresses not included.

***Some number parts listed on the instruction sheet may not be in parts bag as they may already be assemble.
Carefully check parts and packing materials prior to ordering replacements.

How to Assemble:

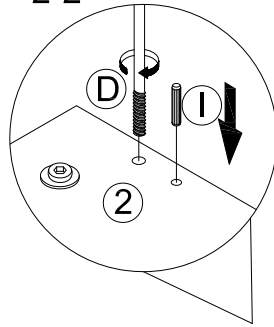
STEP 1.

Exploded View

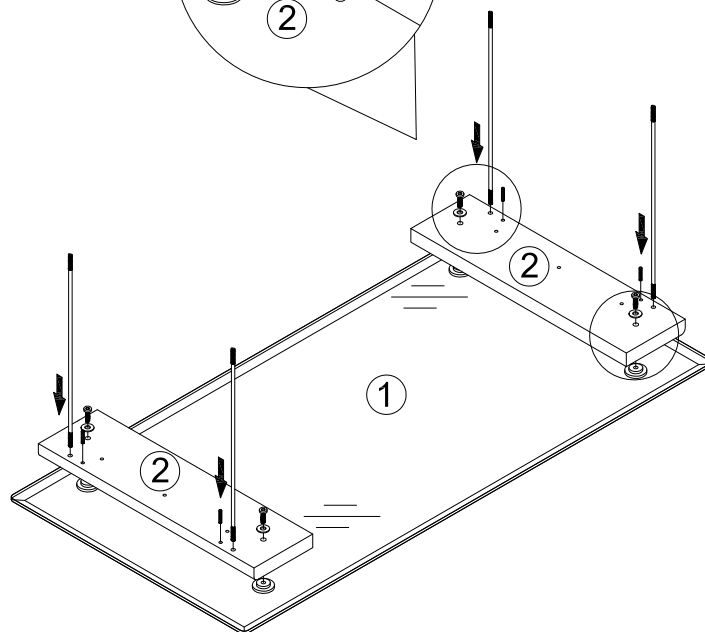
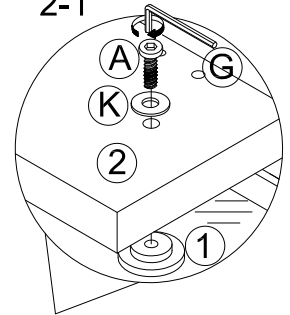


STEP 2.

2-2



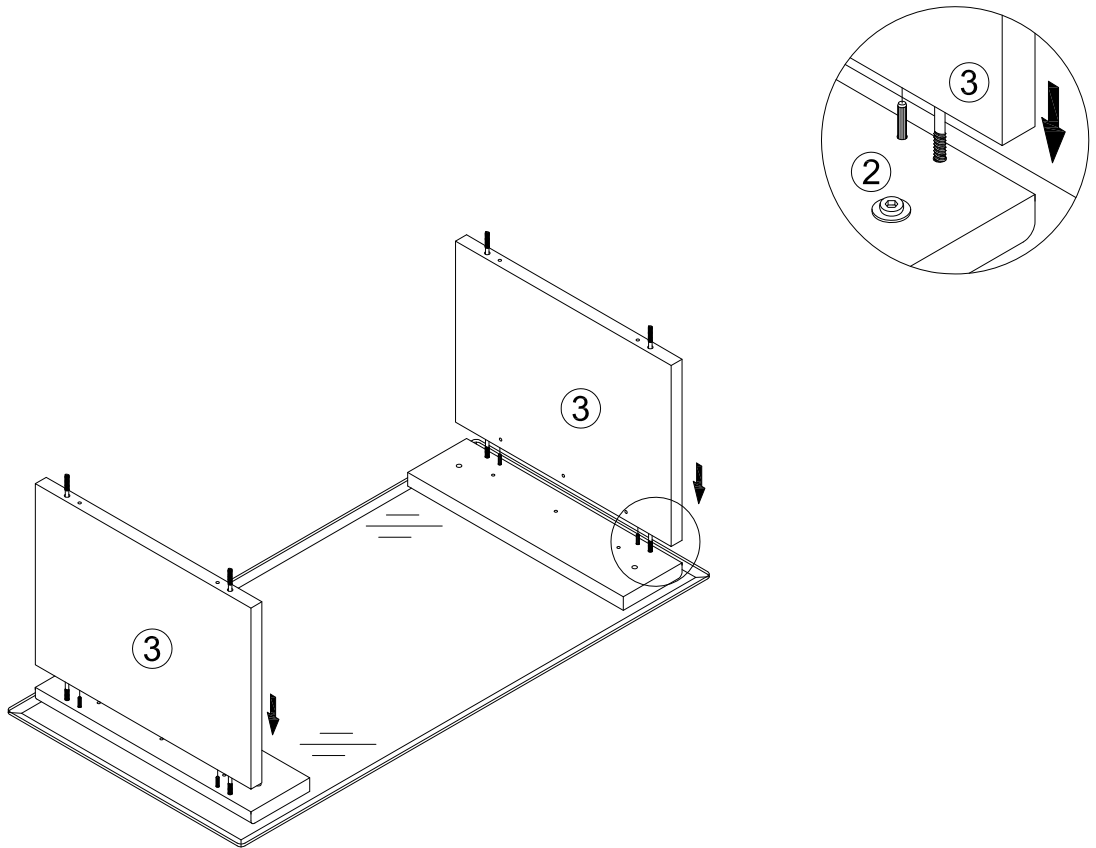
2-1



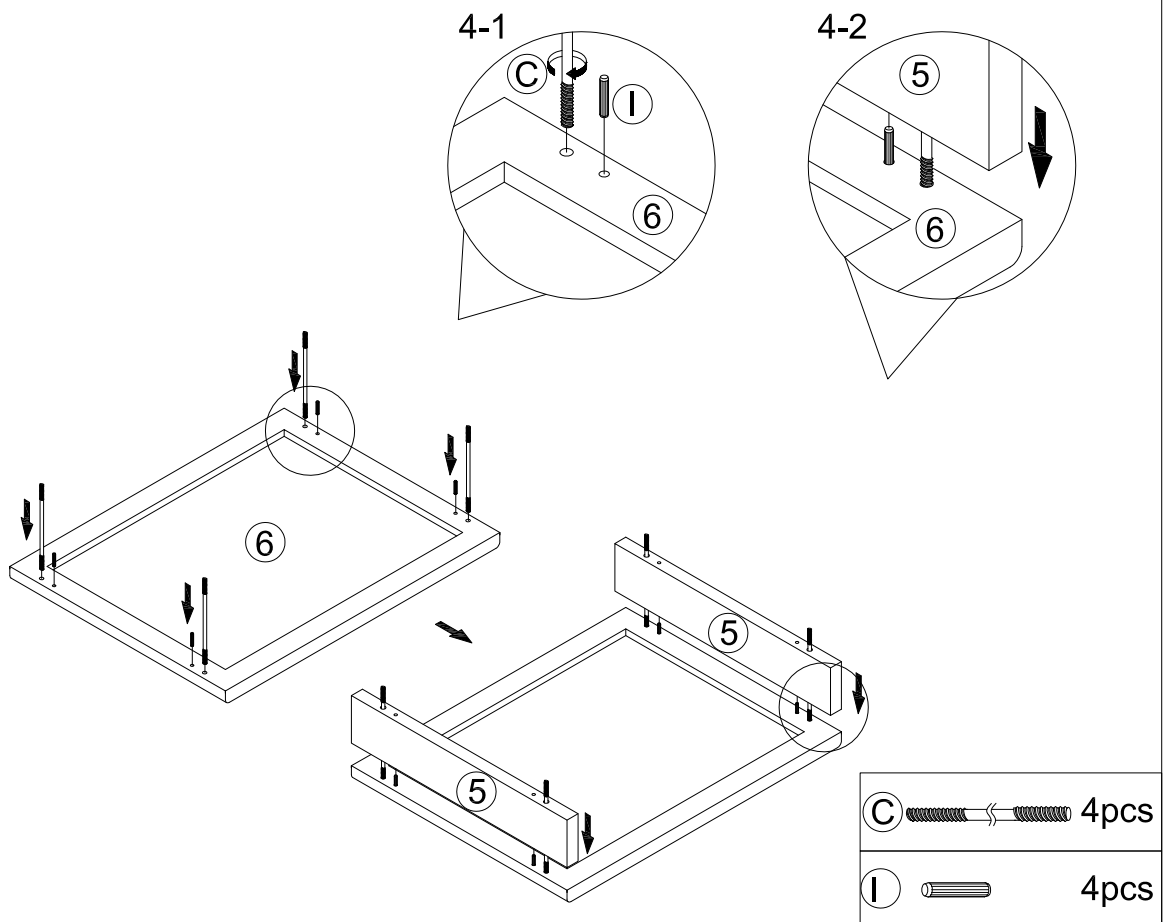
(A)		4pcs
(D)		4pcs
(I)		4pcs
(K)		4pcs

How to Assemble:

STEP 3.

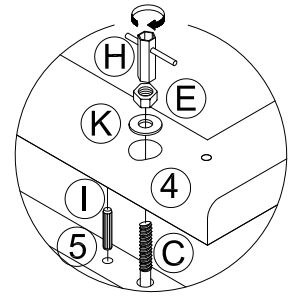
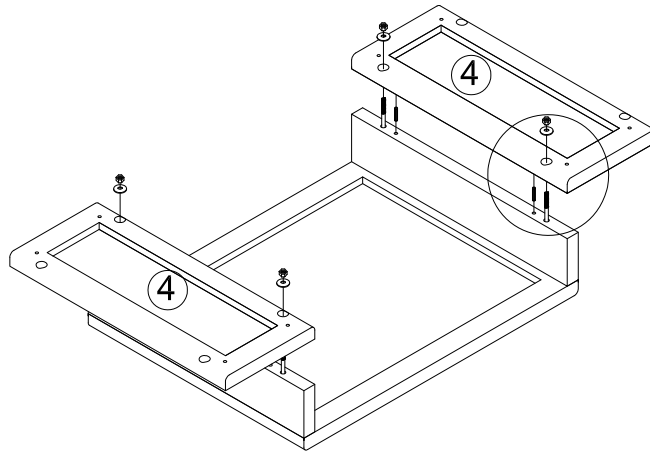


STEP 4.



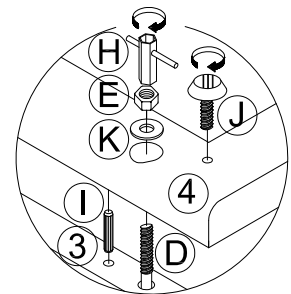
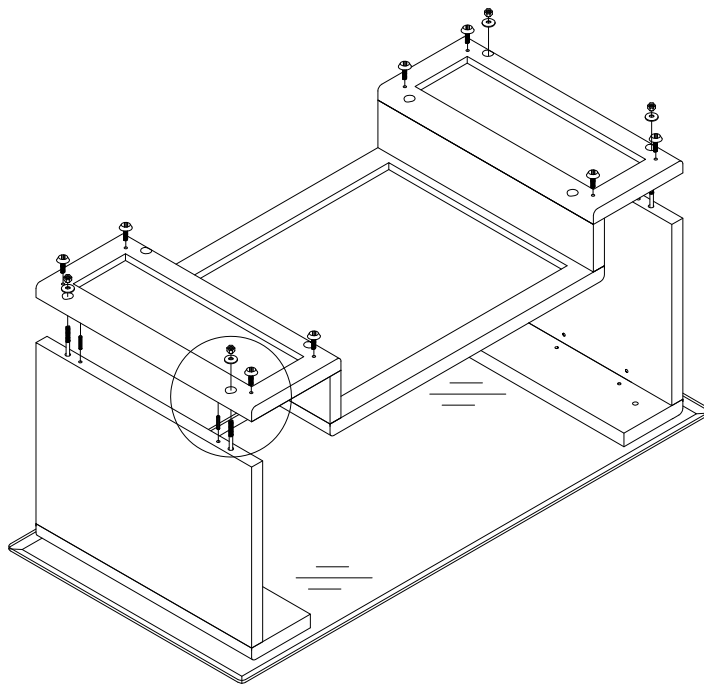
How to Assemble:

STEP 5.



(E)		4pcs
(I)		4pcs
(K)		4pcs

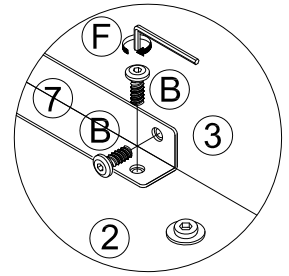
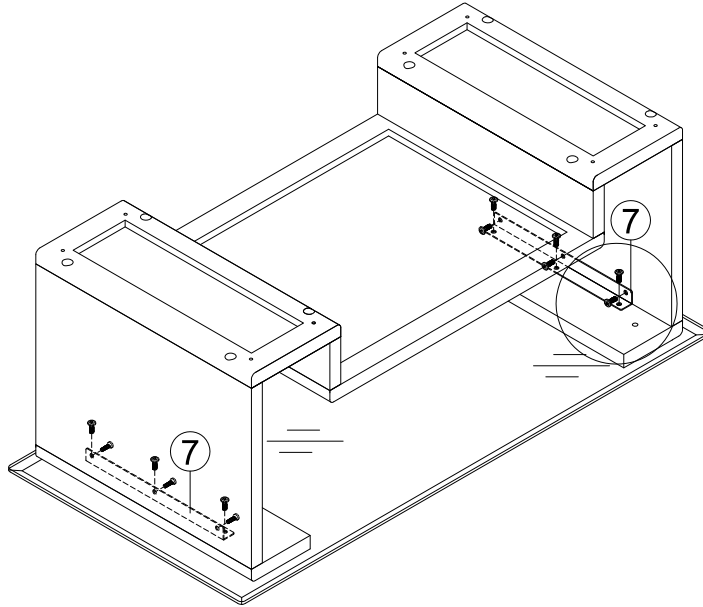
STEP 6.



(E)		4pcs
(I)		4pcs
(J)		8pcs
(K)		4pcs

How to Assemble:

STEP 7.



12pcs

STEP 8.

