

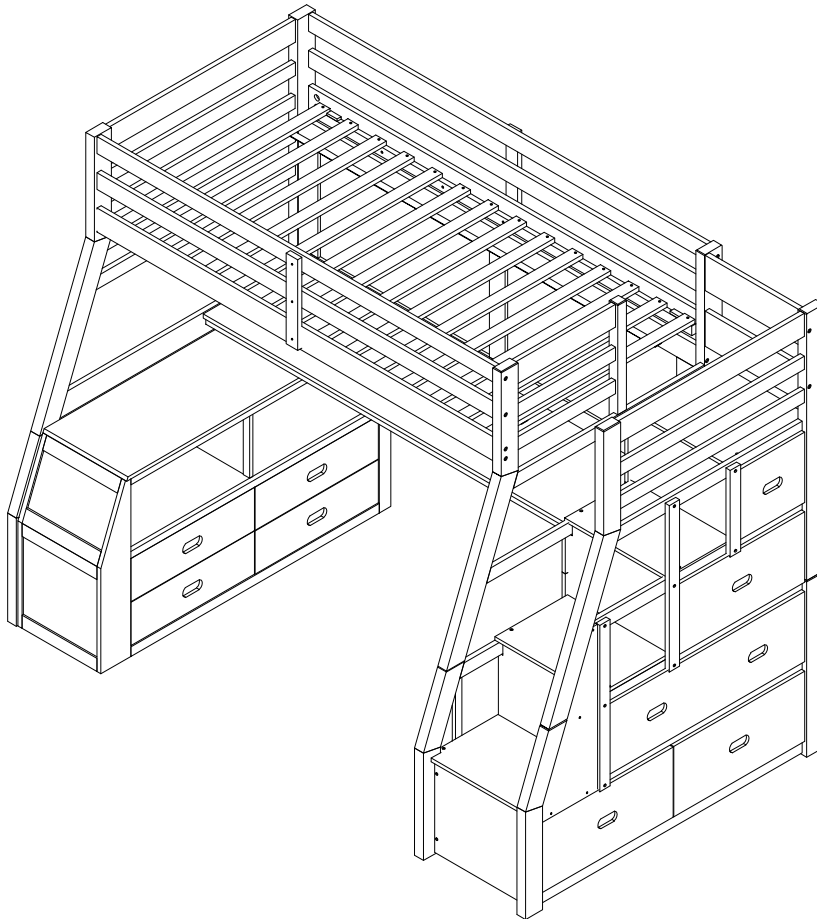
**ACME
FURNITURE**

ASSEMBLY INSTRUCTIONS

ITEM NO: #37445 & #37455

















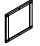



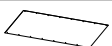


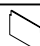










*** Thank you for purchasing this quality product. Be sure to check all packing materials carefully for small parts which may have come loose inside the carton during shipment. Identify and count all parts and compare with parts list below.

*** Assemble product on a flat, soft surface such as a carpet or cloth to prevent scratching the finish. Read all instruction and study the drawings carefully before starting the assembly process.









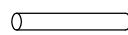





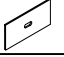





IMPORTANT: Do not tighten bolts completely until all bolts are completely lined up and inserted into holes


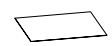
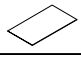


PARTS LIST

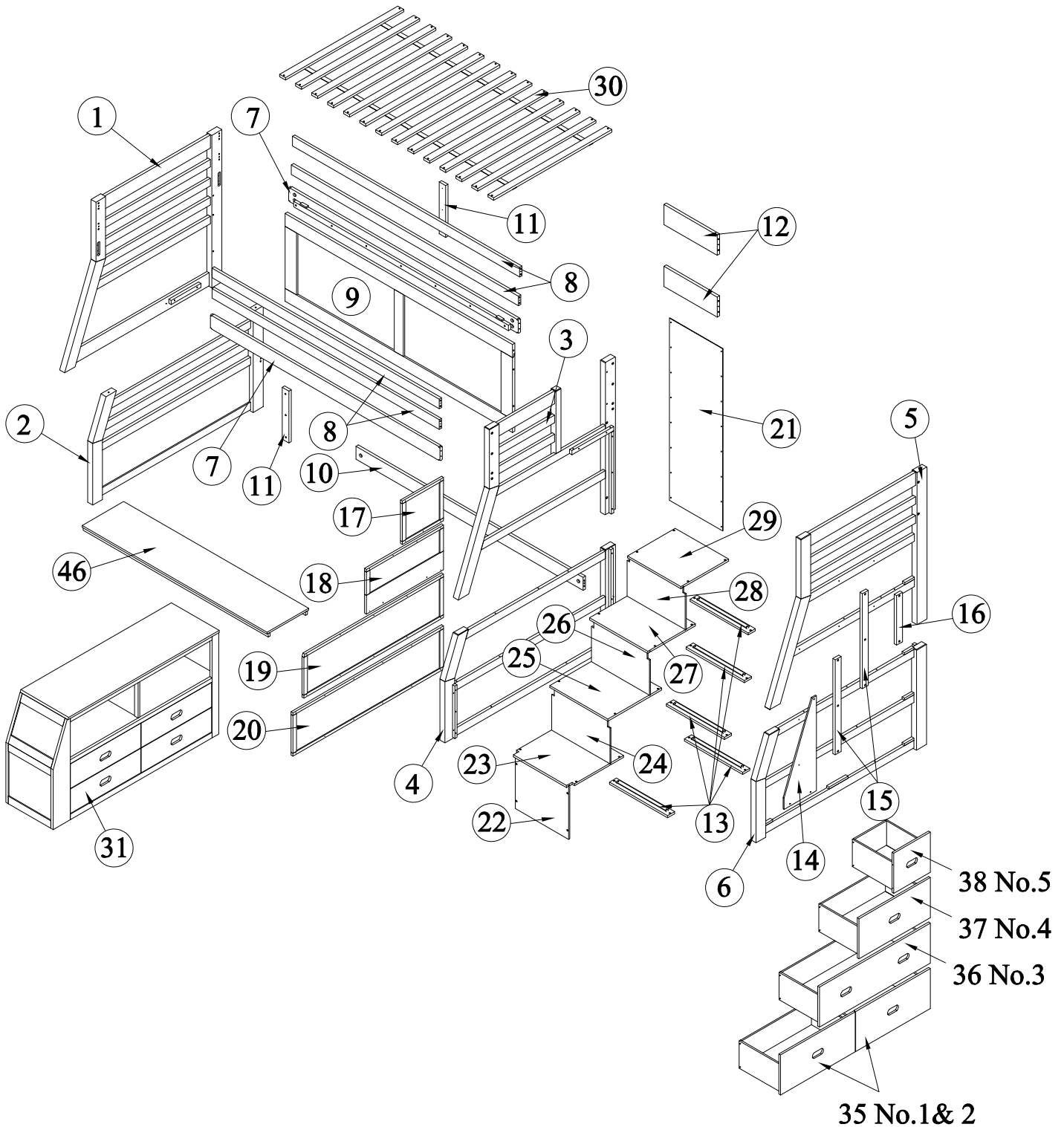
| No | DRAGRAM | PART NAME | Q'Ty |
|----|---|--------------------------------------|-------|
| 1 |  | Upper Headboard (Left Side) | 1 pc |
| 2 |  | Lower Headboard (Left Side) | 1 pc |
| 3 |  | Upper Headboard (Mid Side) | 1 pc |
| 4 |  | Left Post (Mid Side) | 1 pc |
| 5 |  | Upper Headboard (Right Side) | 1 pc |
| 6 |  | Lower Headboard (Right Side) | 1 pc |
| 7 |  | Guard rail | 2 pcs |
| 8 |  | Upper side rail | 4 pcs |
| 9 |  | BACK PANEL | 1 pc |
| 10 |  | Lower side rail | 1 pc |
| 11 |  | Guardrail Support | 2 pcs |
| 12 |  | Back Bar | 2 pcs |
| 13 |  | Mail Guide Drawer | 5 pcs |
| 14 |  | Triangle Panel | 1 pc |
| 15 |  | Re-Inforcement for drw side rail 1&2 | 2 pcs |
| 16 |  | Re-Inforcement for drw side rail 3 | 1 pc |
| 17 |  | Headboard (Mid side) Panel 1 | 1 pc |
| 18 |  | Headboard (Mid side) Panel 2 | 1 pc |
| 19 |  | Headboard (Mid side) Panel 3 | 1 pc |
| 20 |  | Headboard (Mid side) Panel 4 | 1 pc |
| 21 |  | Back Panel ladder | 1 pc |
| 22 |  | STEP PANEL 1 | 1 pc |
| 23 |  | SIDE PANEL 1 | 1 pc |
| 24 |  | STEP PANEL 2 | 2 pcs |
| 25 |  | SIDE PANEL 2 | 2 pcs |
| 26 |  | STEP PANEL 3 | 1 pc |
| 27 |  | SIDE PANEL 3 | 1 pc |
| 28 |  | STEP PANEL 4 | 1 pc |
| 29 |  | SIDE PANEL 4 | 1 pc |
| 30 |  | SLATS 14 PCS | 1 set |
| 31 |  | CHEST | 1 pc |
| 32 |  | FEMALE GUIDE DRAWER | 1 pc |
| 33 |  | LEFT DRAWER PANEL | 4 pc |
| 34 |  | RIGHT DRAWER PANEL | 4 pc |

HARDWARE LIST

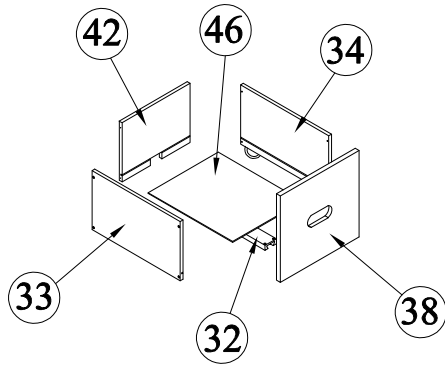
| No | DRAGRAM | PART NAME | Q'Ty |
|----|--|---------------------------------------|---------|
| A |  | Bolt: 6.3 * 80 (mm) Half Round Nut | 18 sets |
| B |  | Bolt: 7 * 80 (mm) | 8 sets |
| C |  | Bolt: 6.3 * 30 (mm) | 40 pcs |
| D |  | Bolt: 6.3 * 15 (mm) | 4 pcs |
| E |  | Screw: 4 * 25 (mm) | 38 pcs |
| F |  | Screw: 4 * 30 (mm) | 94 pcs |
| G |  | Screw: 3.5 * 15 (mm) | 18 pcs |
| H |  | Wood Dowel: 10 * 40 (mm) | 32 pcs |
| I |  | Metal Dowel 7 x 7 x 90 (mm) | 6 pcs |
| J |  | Allen Key (M4) | 1 Pc |

| | | | |
|----|---|------------------------|-------|
| 35 |  | FRONT DRAWER PANEL 1&2 | 2 pcs |
| 36 |  | FRONT DRAWER PANEL 3 | 1 pc |
| 37 |  | FRONT DRAWER PANEL 4 | 1 pc |
| 38 |  | FRONT DRAWER PANEL 5 | 1 pc |
| 39 |  | BACK DRAWER PANEL 1&2 | 1 pc |
| 40 |  | BACK DRAWER PANEL 3 | 2 pcs |
| 41 |  | BACK DRAWER PANEL 4 | 1 pc |
| 42 |  | BACK DRAWER PANEL 5 | 1 pc |

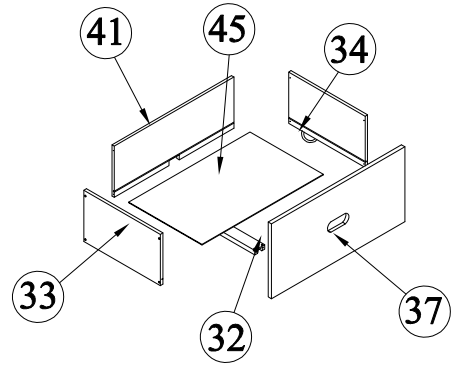
| | | | |
|----|--|-------------------------|-------|
| 43 |  | BOTTOM DRAWER PANEL 1/2 | 2 pcs |
| 44 |  | BOTTOM DRAWER PANEL 3 | 1 pc |
| 45 |  | BOTTOM DRAWER PANEL 4 | 1 pc |
| 46 |  | BOTTOM DRAWER PANEL 5 | 1 pc |
| 47 |  | Shelf | 1 pc |



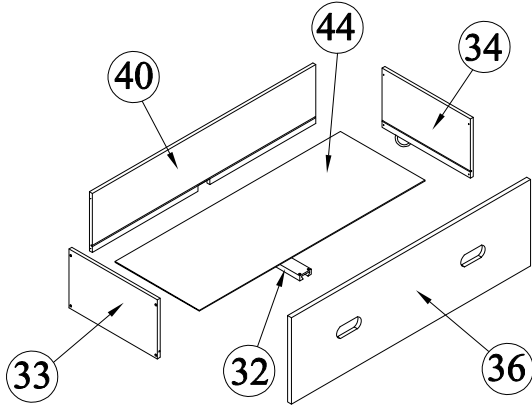
Drawer - No.5



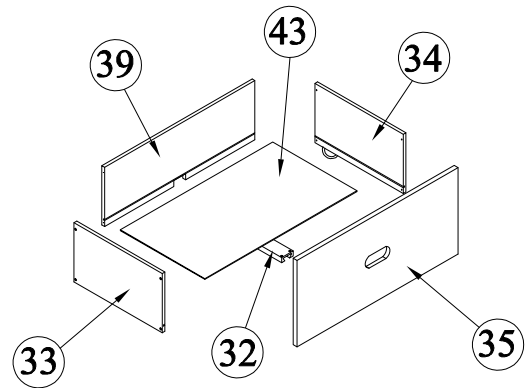
Drawer - No.4




Drawer - No.3



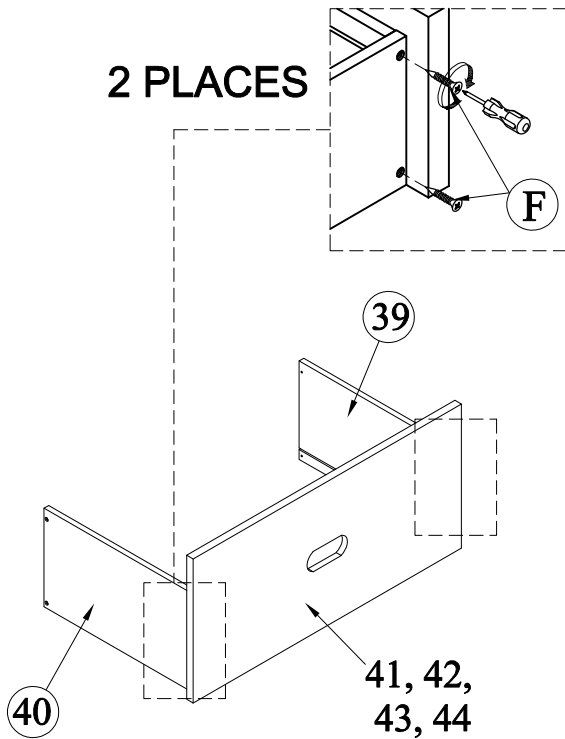
Drawer - No.1&2




STEP 1: Drawer Assembly (5pcs)

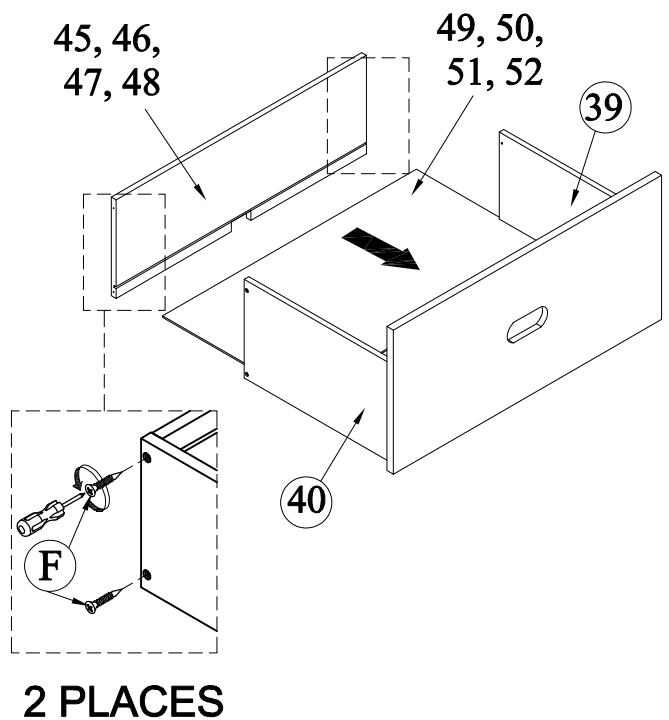
F  60 pcs

2 PLACES




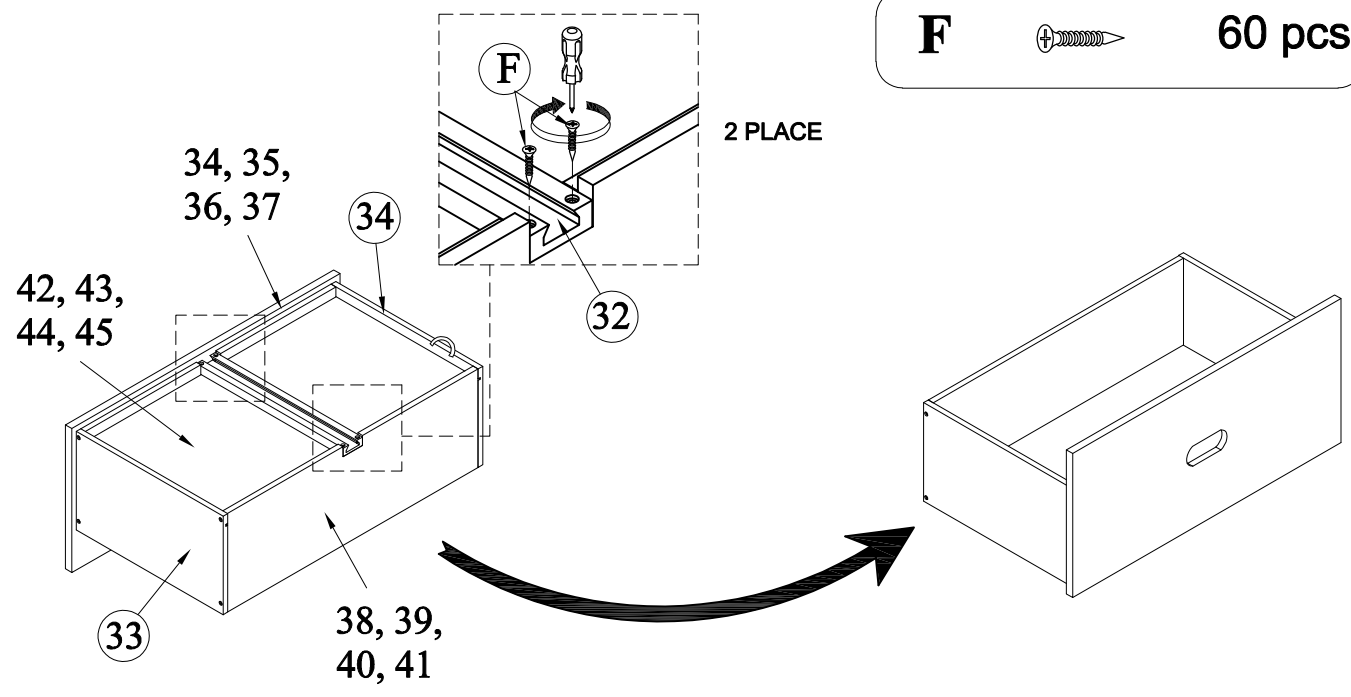
STEP 1: Drawer Assembly (5pcs)

F  60 pcs



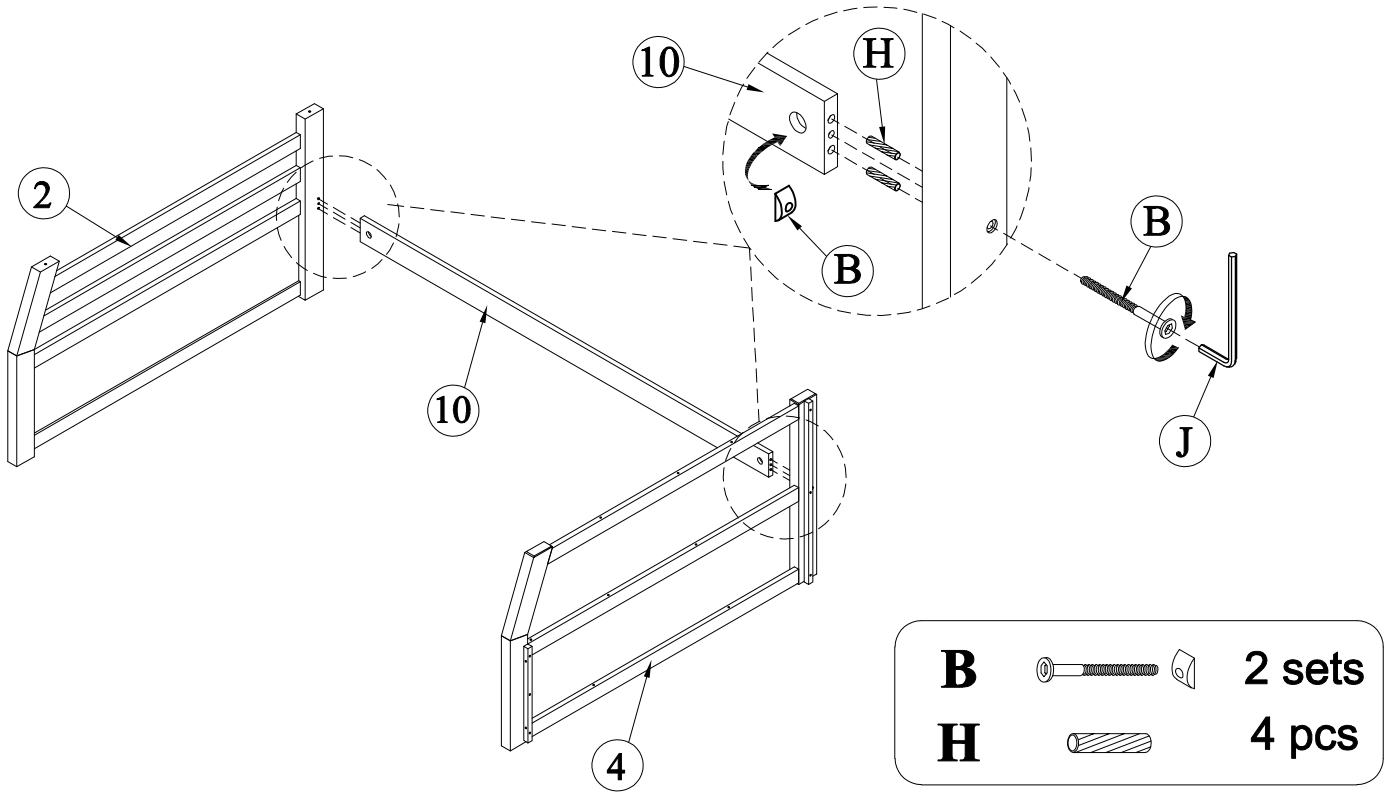
STEP 2: Drawer Assembly (5pcs)



F  **60 pcs**





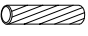
STEP 3: LOWER HB (Left & Mid Side) ASSEMBLY.

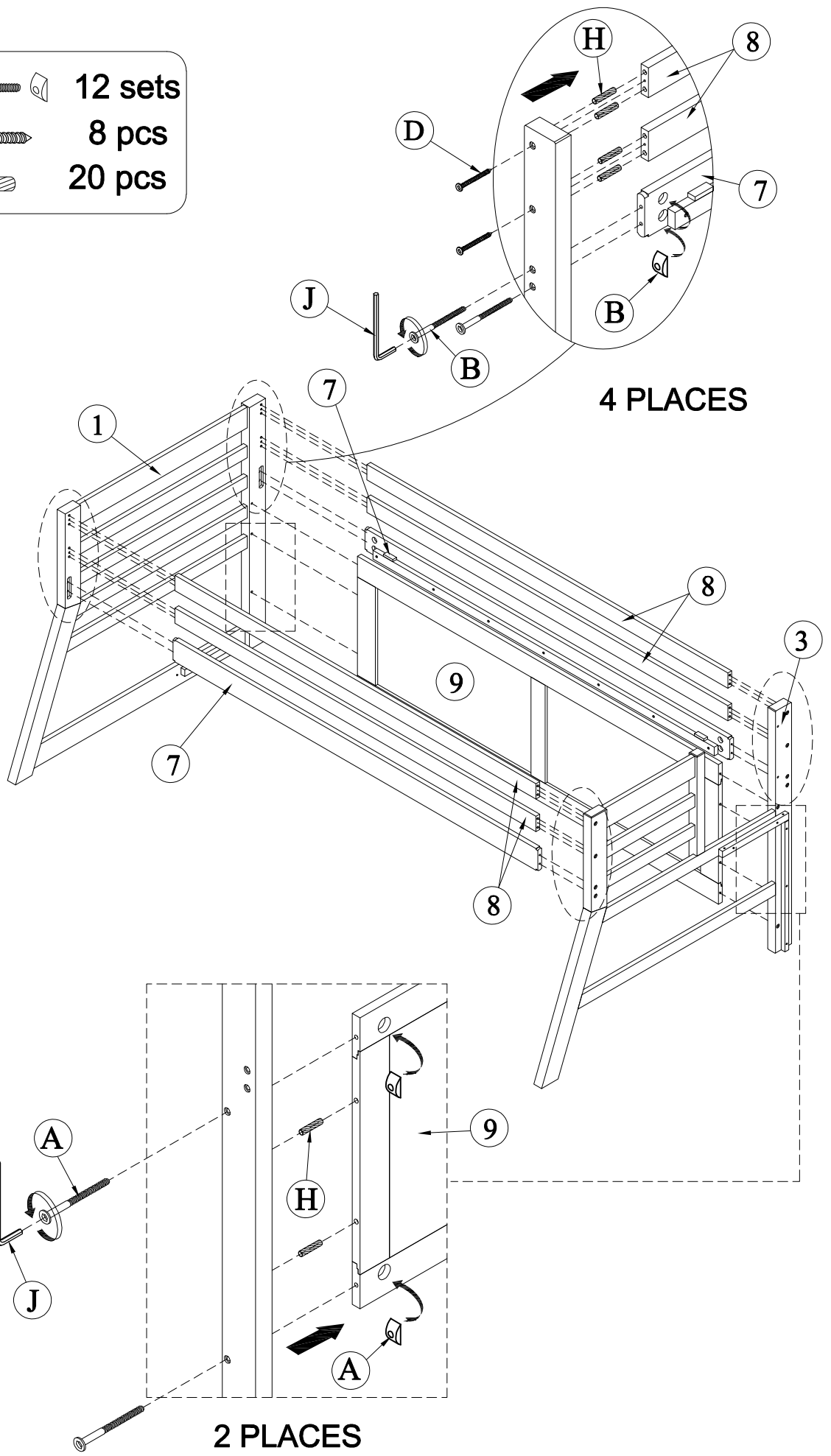
2 PLACES



B  **2 sets**
H  **4 pcs**

STEP 4: UPPER HB (Left & Mid Side) ASSEMBLY.

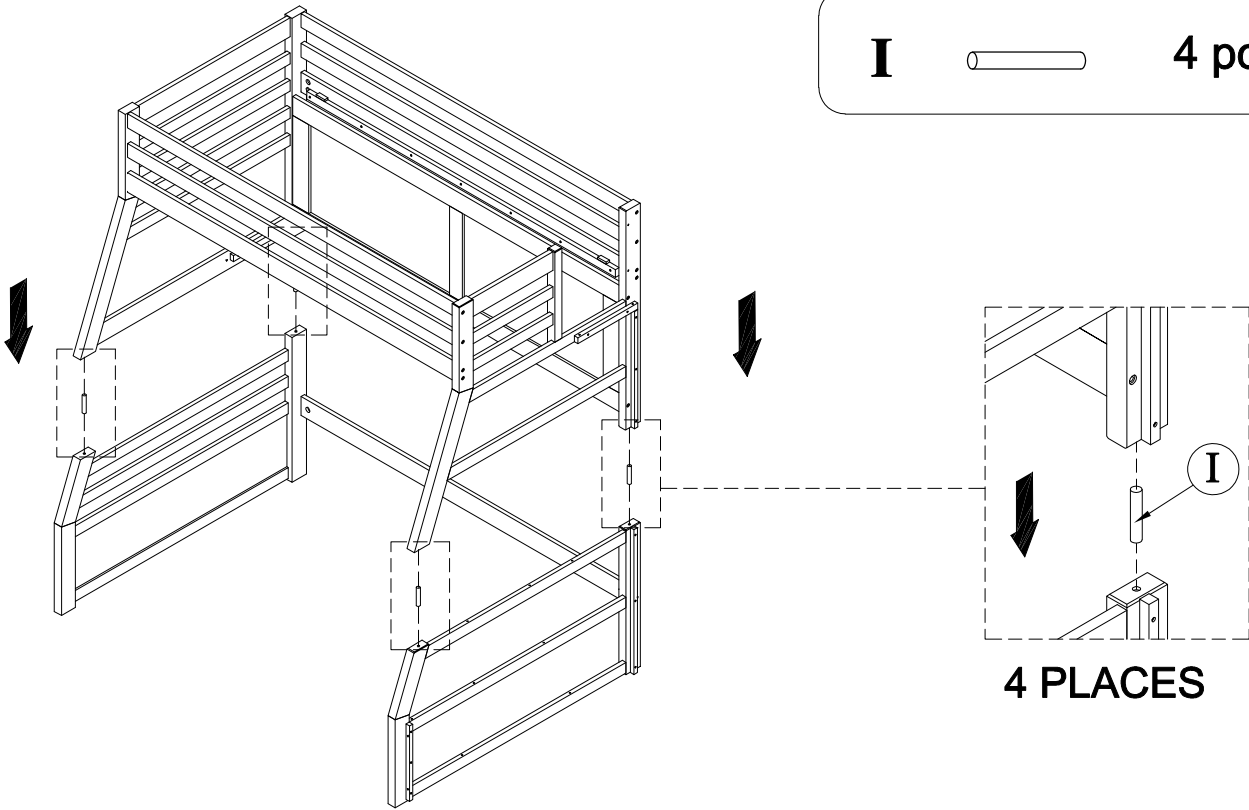
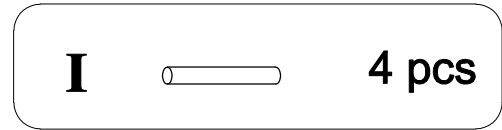
- | | | |
|----------|---|---------|
| A |  | 12 sets |
| B |  | 8 pcs |
| H |  | 20 pcs |



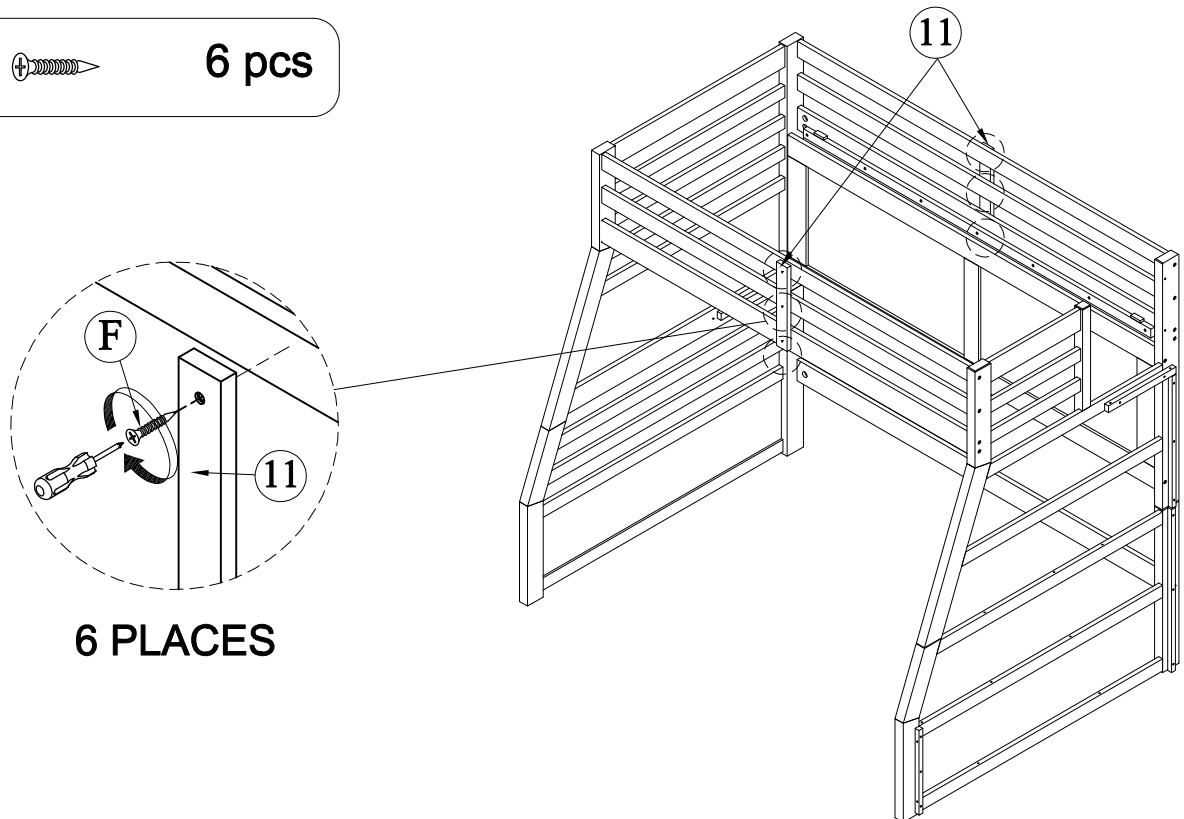
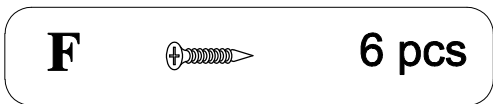
4 PLACES

2 PLACES

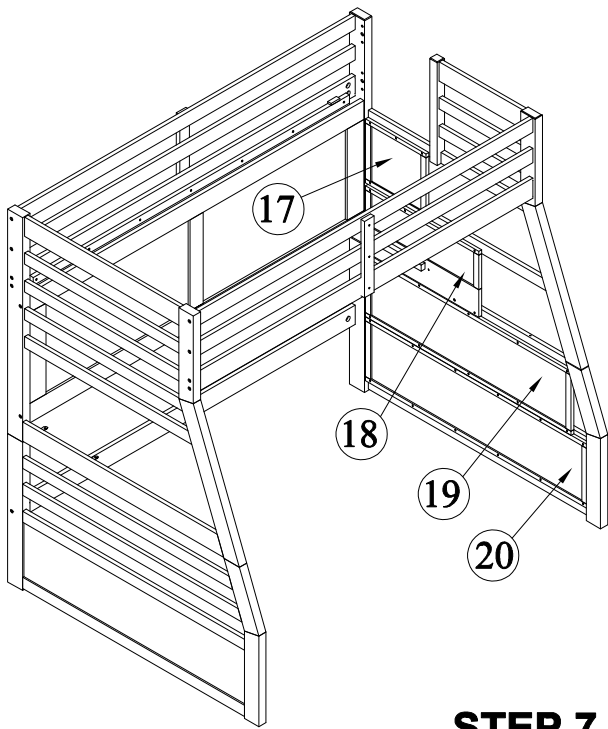
STEP 5: UPPER & LOWER BUNK (Left & Mid Side) ASSEMBLY





STEP 6: Guardrail Support Assembly

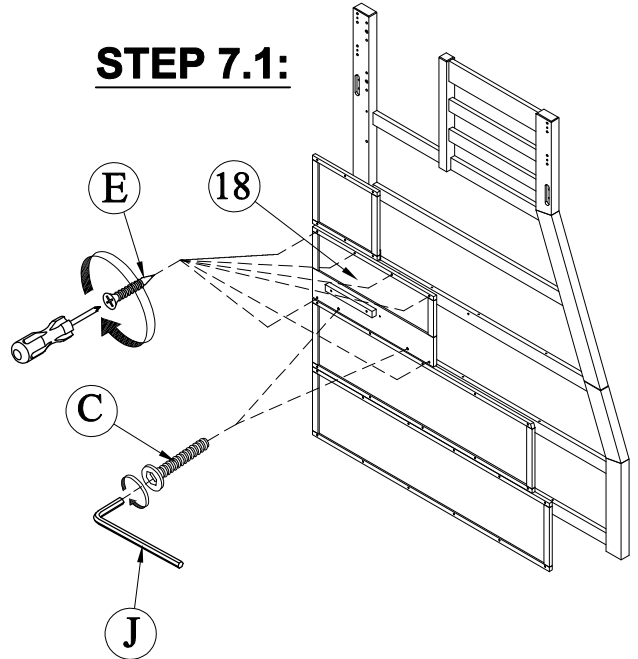


STEP 7:

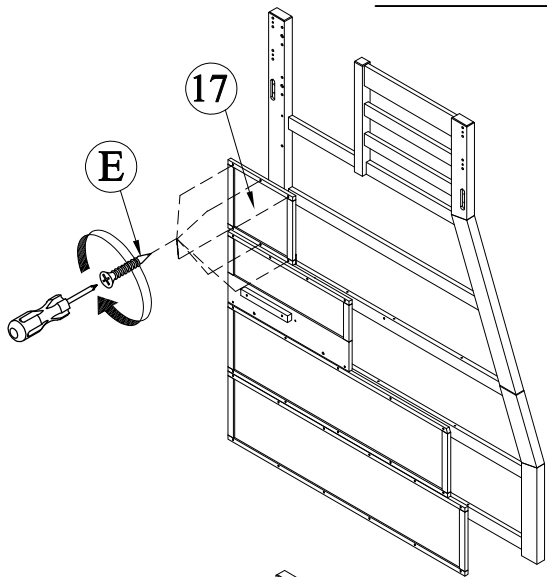


| | | |
|----------|---|--------|
| C |  | 2 pcs |
| E |  | 34 pcs |

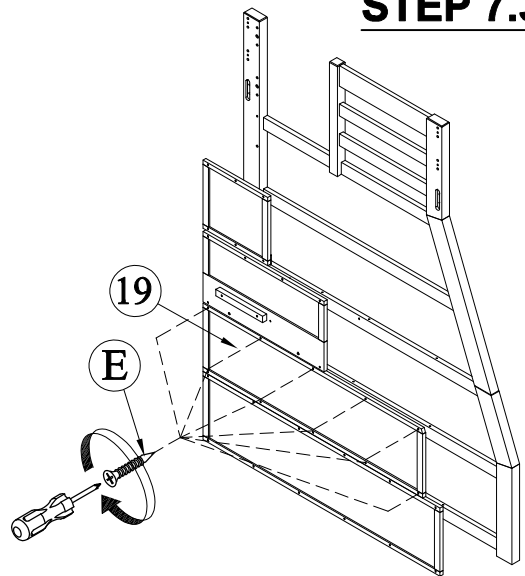
STEP 7.1:



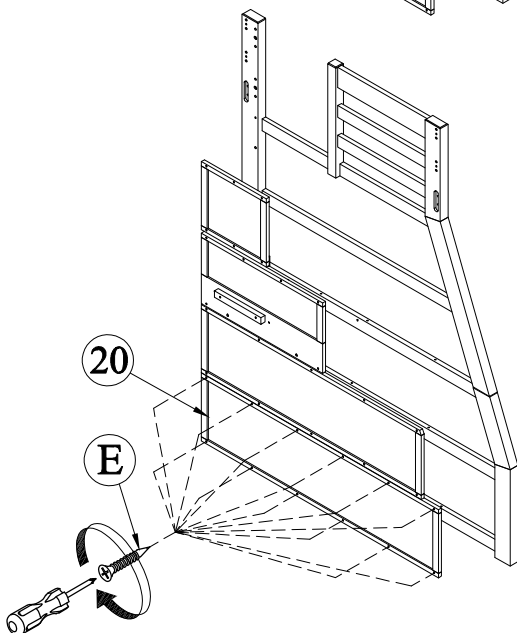
STEP 7.2:



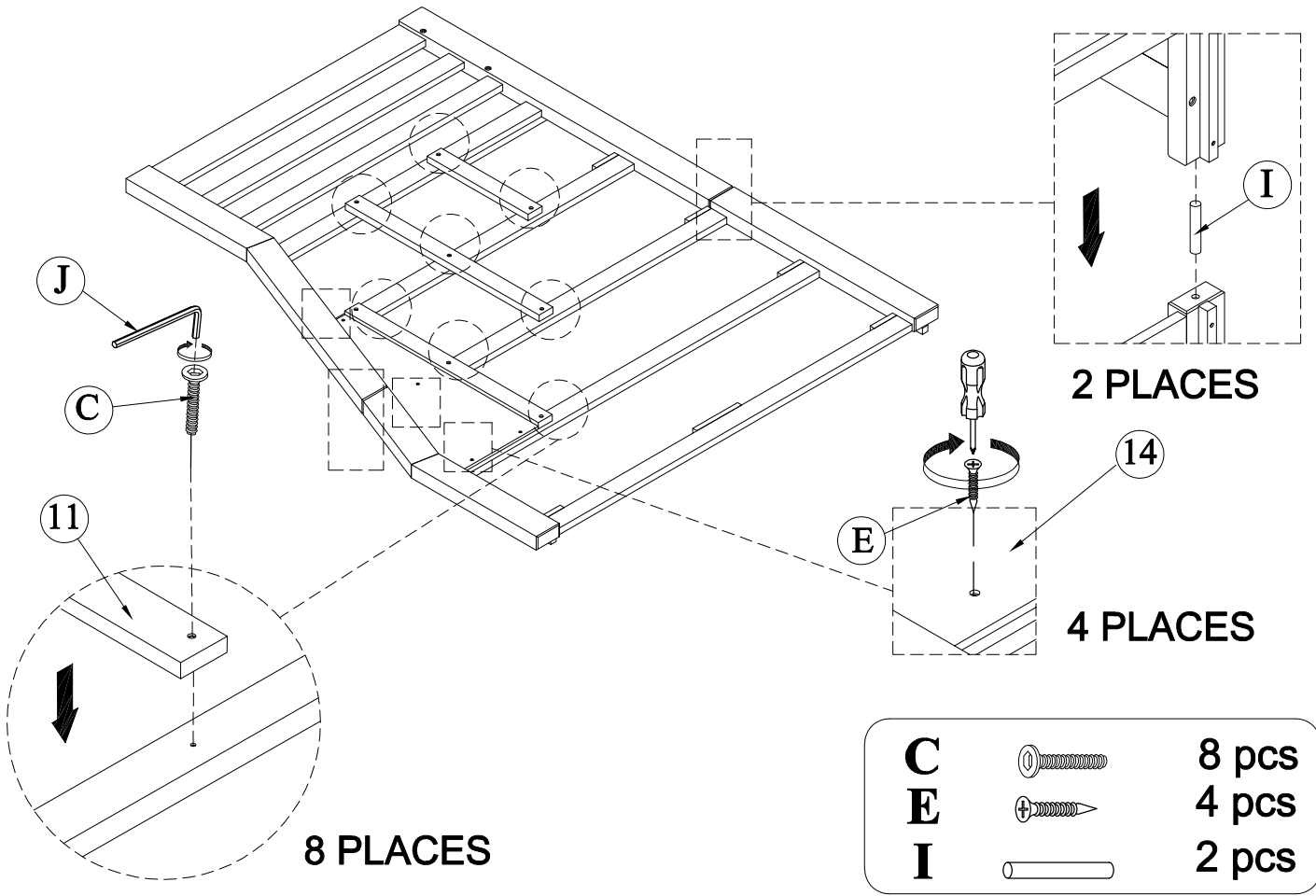
STEP 7.3:



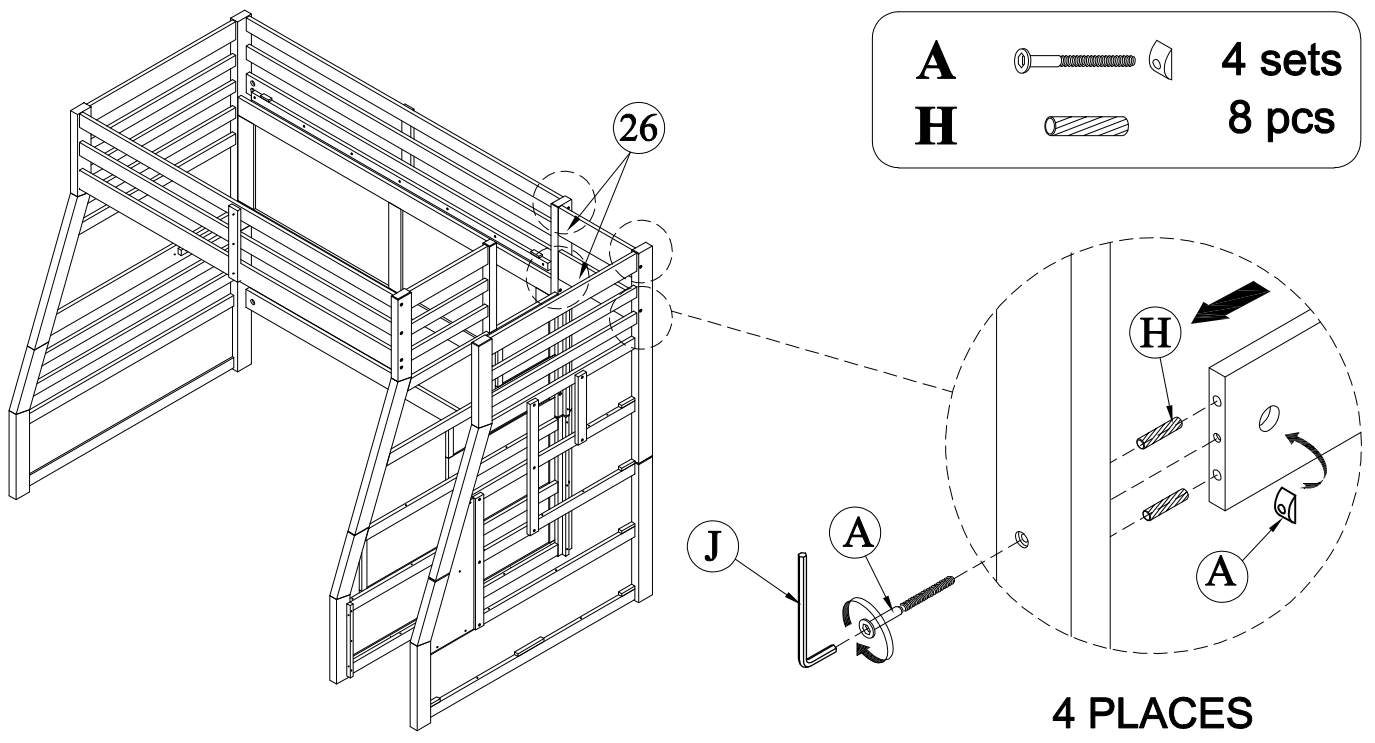
STEP 7.4:



STEP 8:

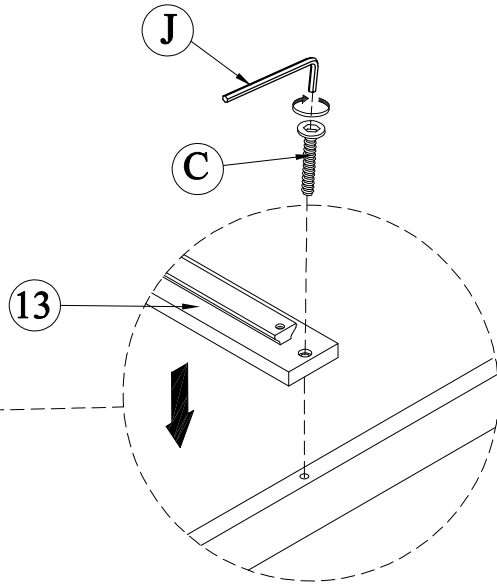
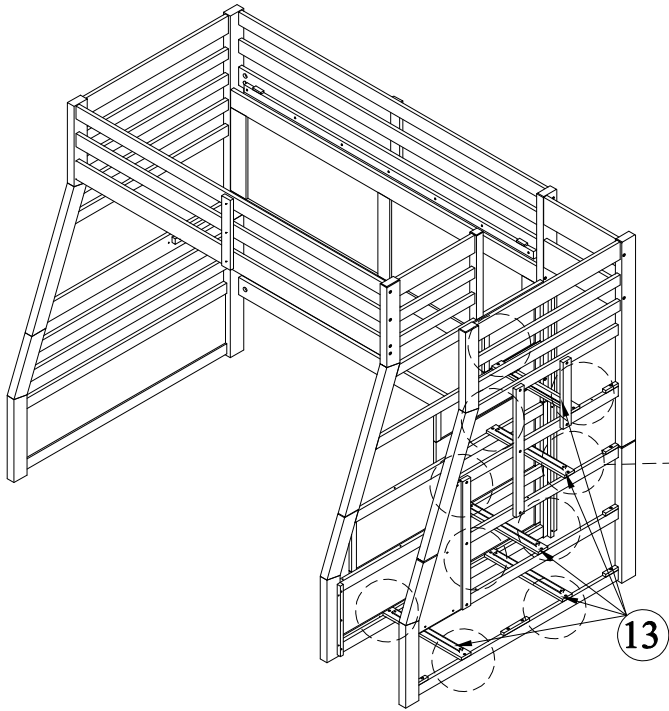


STEP 9: MID & RIGHT HB ASSEMBLY.



STEP 10:

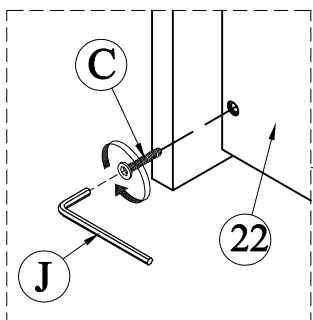
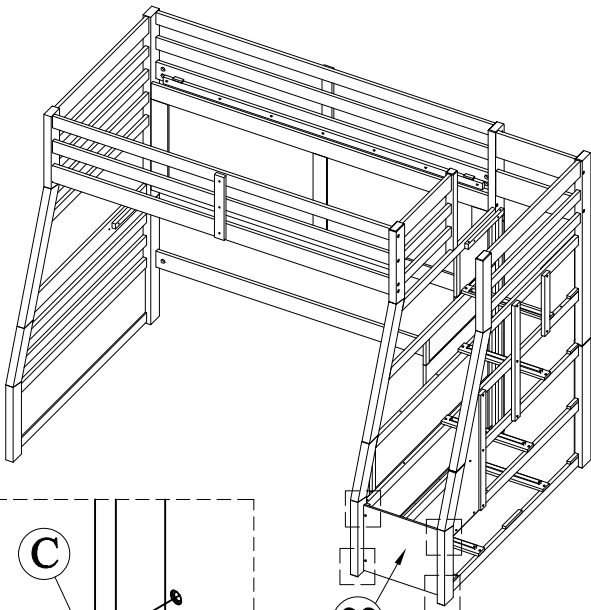
C  **10 pcs**



10 PLACES

STEP 11: Ladder-Front Panel 1 Assembly

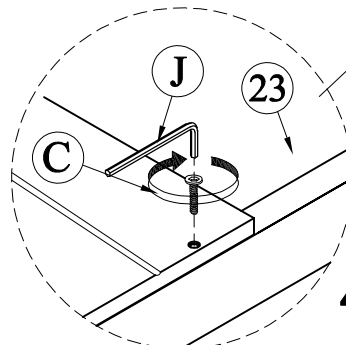
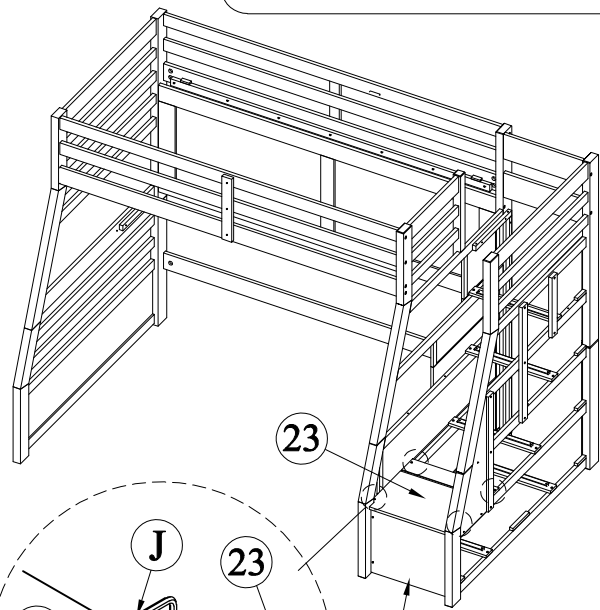
C  **4 pcs**



4 PLACES

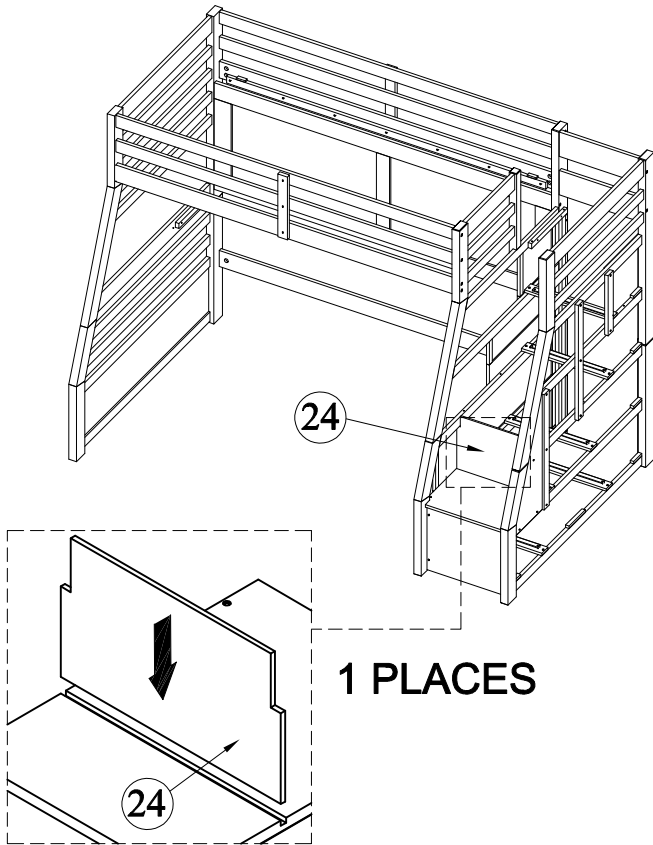
STEP 12: Ladder-Step Panel 1 Assembly

C  **4 pcs**

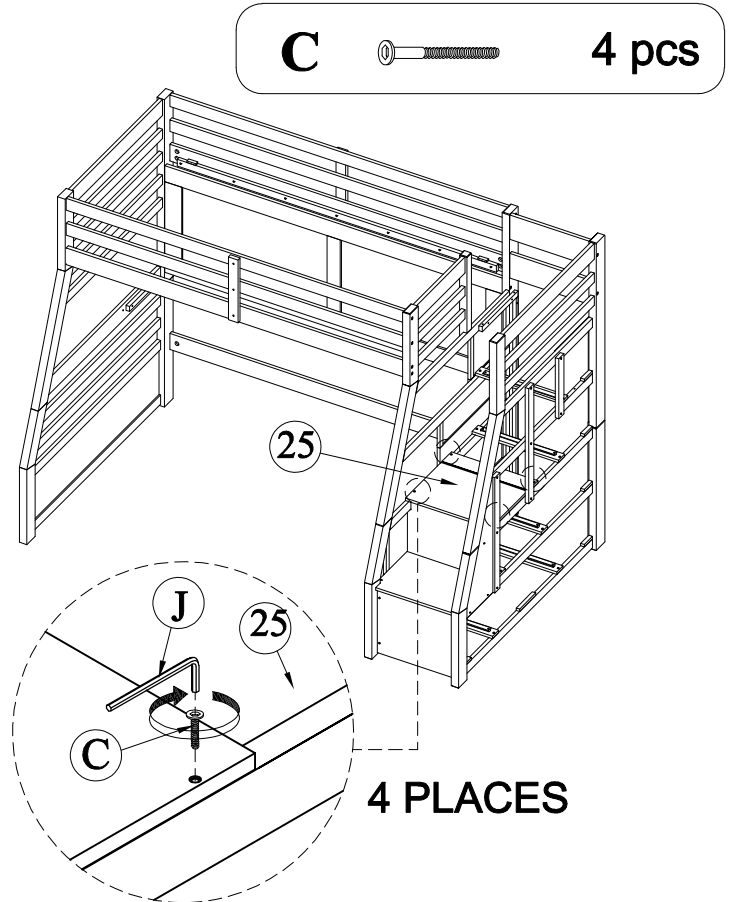


4 PLACES

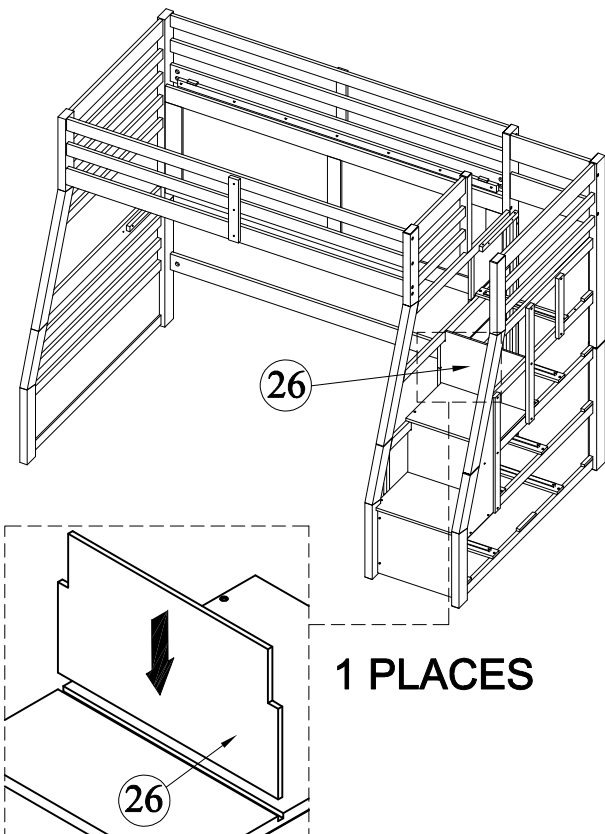
**STEP 13: Ladder-Front Panel 2
Assembly**



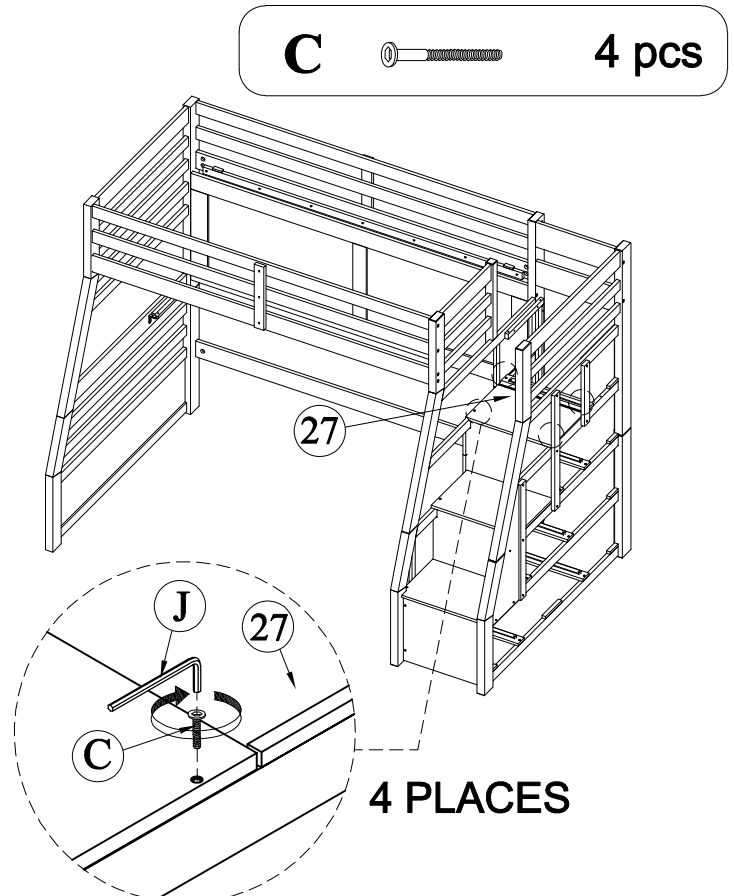
**STEP 14: Ladder-Step Panel 2
Assembly**



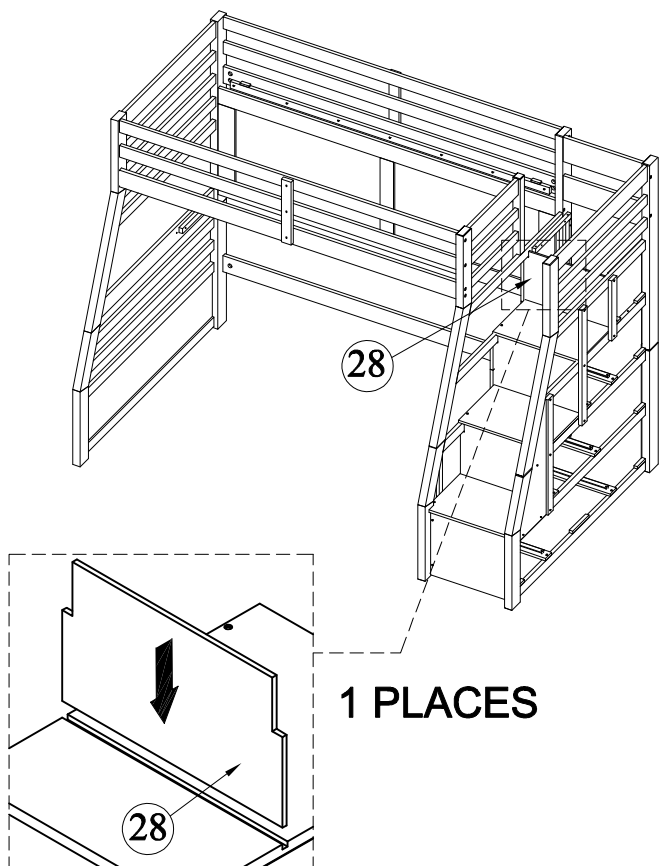
**STEP 15: Ladder-Front Panel 3
Assembly**



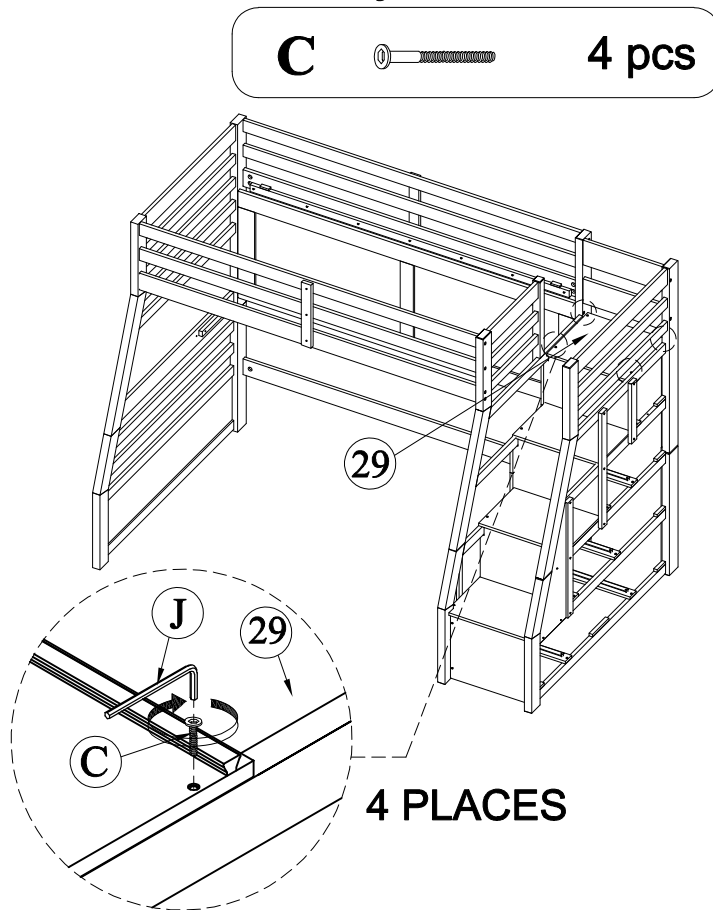
**STEP 16: Ladder-Step Panel 3
Assembly**



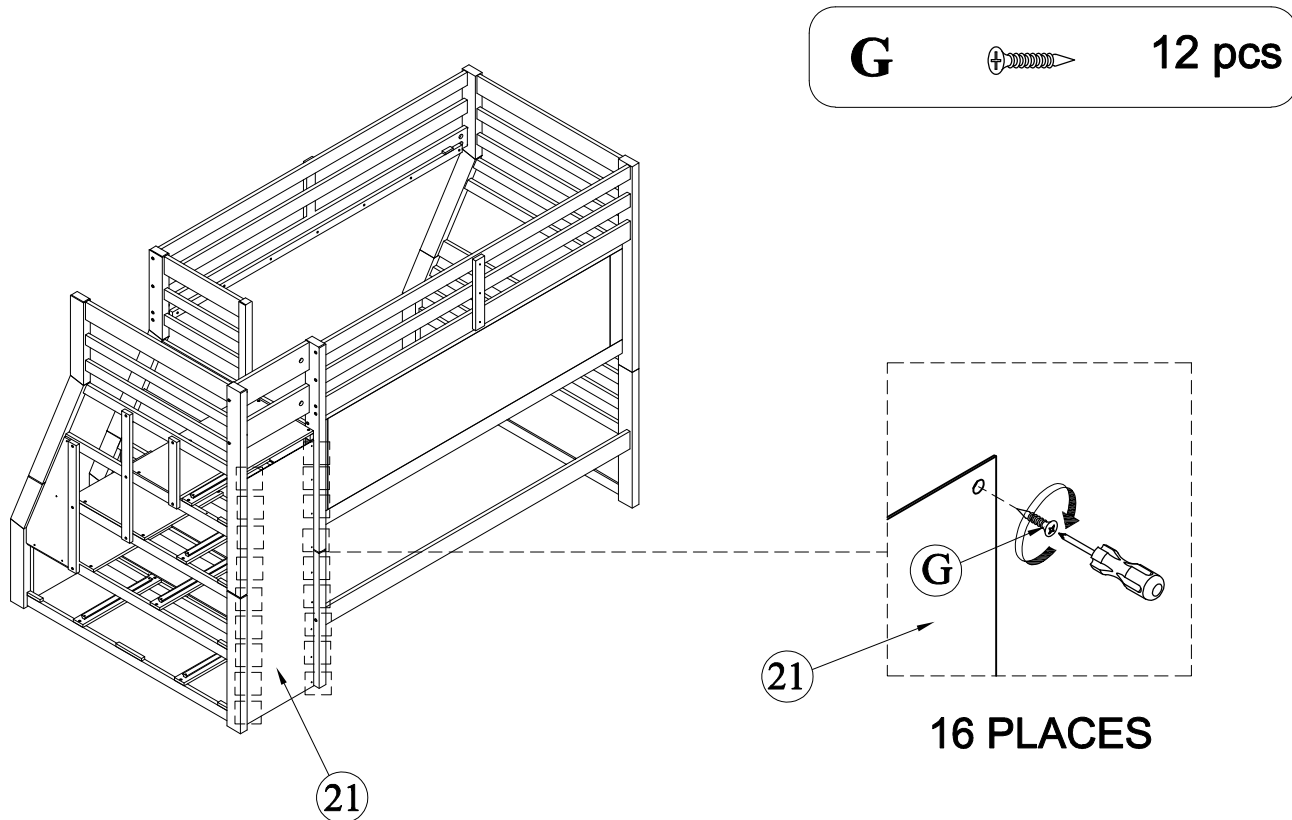
STEP 17: Ladder-Front Panel 4 Assembly




STEP 18: Ladder-Step Panel 4 Assembly

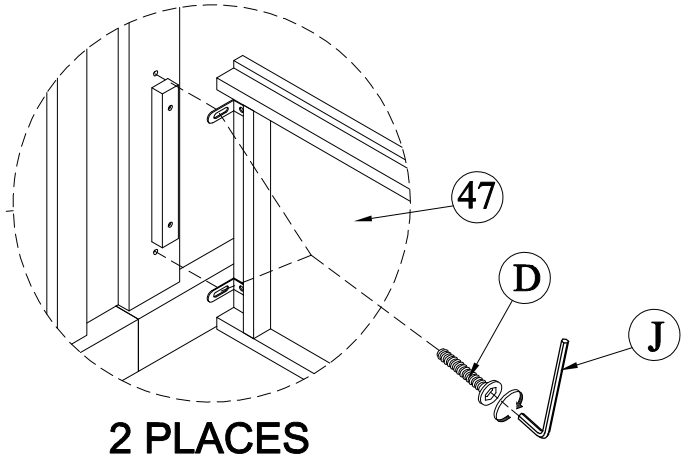
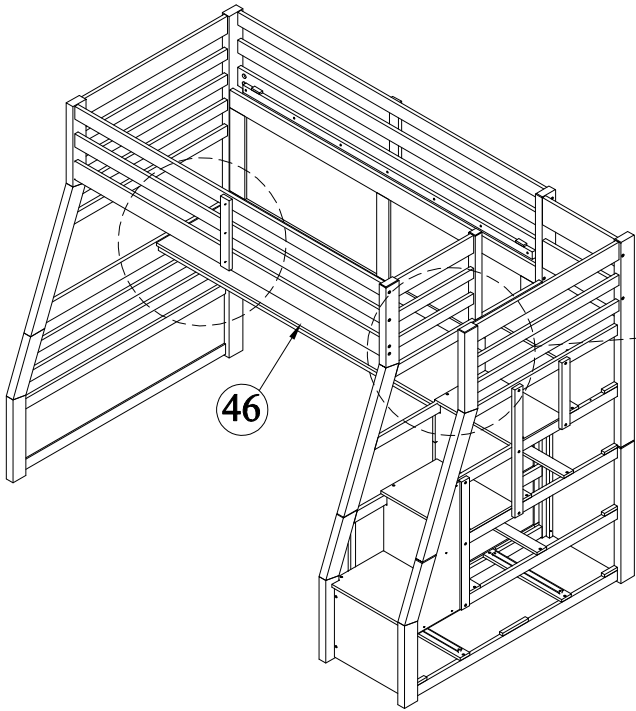


STEP 19: Back Panel Assembly

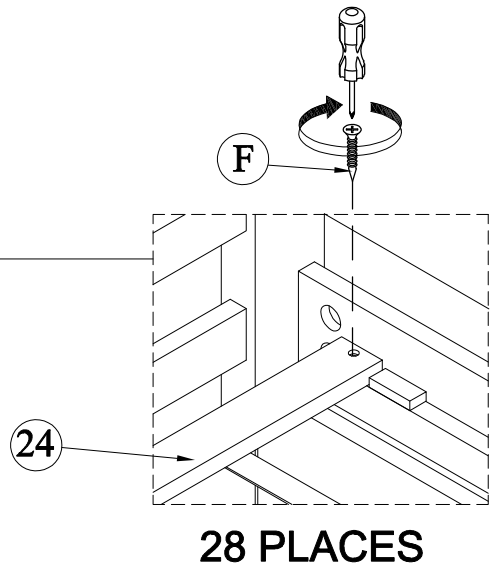
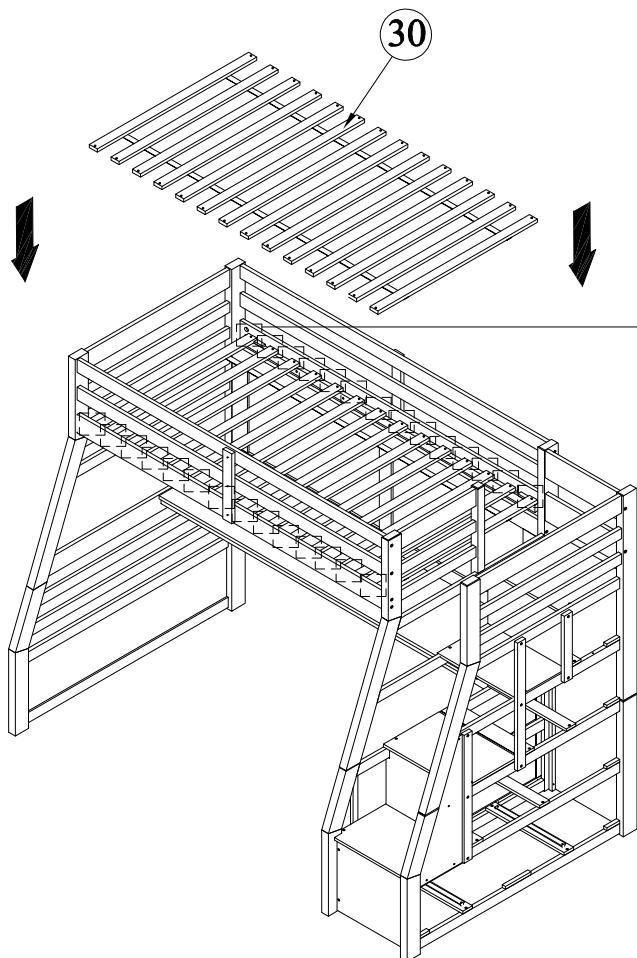


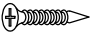
STEP 20:

C  **4 pcs**

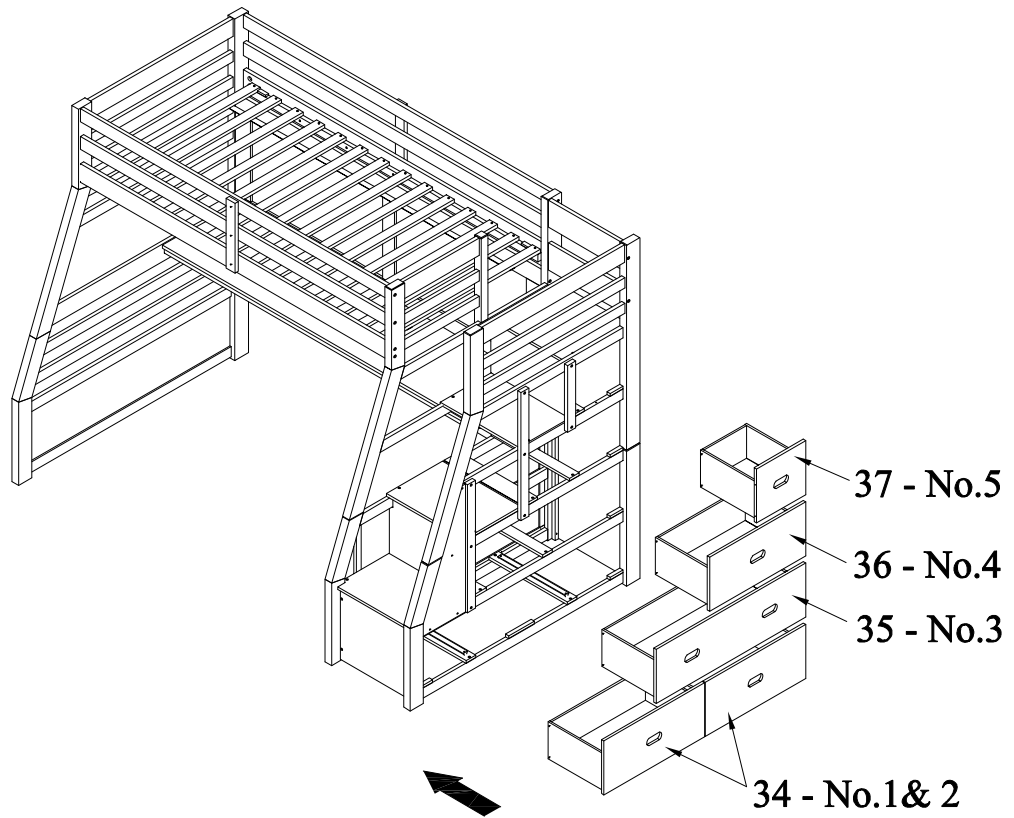


STEP 21:

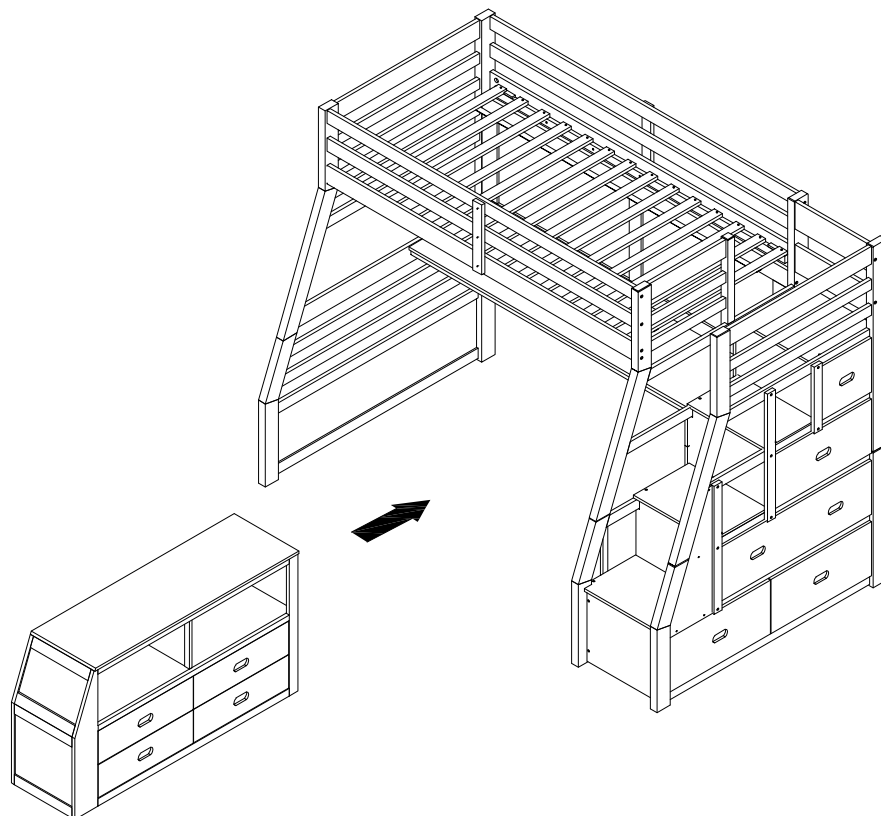


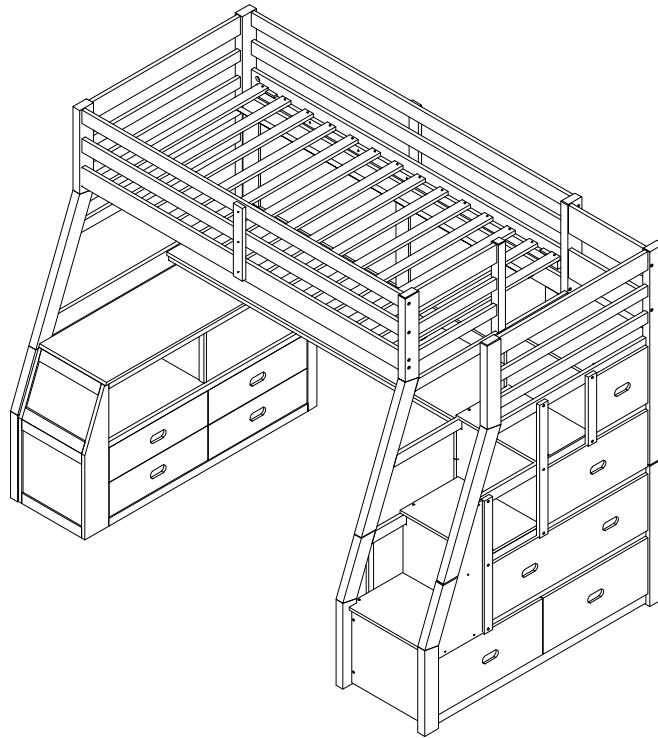
E  **28 pcs**

STEP 22: PUT 5 DRAWERS IN BED



STEP 23:





ASSEMBLY IS COMPLETED

WARNING !!!

To help prevent serious or fatal injuries from entrapment or falls:

1. Follow the information on the warning label appearing on the upper bunk end structure and on the carton. Do not remove warning label from bed.
2. Use only mattress which is 39" WIDE AND 75" LONG ON UPPER BUNK.
3. Ensure thickness of upper mattress does not exceed 6" and top surface of mattress is at least 5" below the upper edge of guardrails.
4. Do not allow children under 6 years to use the upper bunk.
5. Periodically check and ensure that the guardrail, ladder, and other components are in their proper position, free from damage, and that all connectors are tight.
6. Do not allow horseplay on or under the bed and prohibit jumping on the bed.
7. Always use ladder for entering and leaving upper bunk.
8. Do not use substitute parts. Contact the manufacturer or dealer for replacement parts.
9. Use of a night-light may provide added safety precaution for a child using the upper bunk.
10. Always use guardrails on both long sides of the upper bunk. If the bunk bed will be placed next to a-wall, the guardrail that runs the full length of the bed should be placed against the wall to prevent entrapment between the bed and the wall.
11. The use of water or sleep flotation mattresses is prohibited.

STRANGULATION HAZARD:

12. Never attach or hang items to any part of the bunk bed that are not designed for use with the bed, for example, but not limited to, hooks, belts and jump ropes.
13. Prohibit more than one person on upper bunk.
14. Maximum total weight not to exceed-150 lbs on the upper bunk, and maximum 200 lbs on lower bunk.
15. Keep these instructions for future reference.