
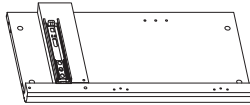
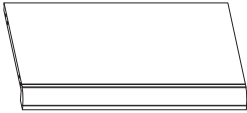



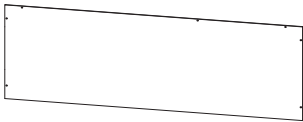
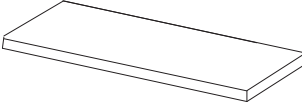
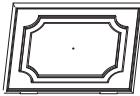
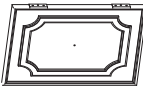

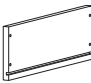


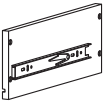




# ASSEMBLY INSTRUCTION FOR ACME FURNITURE

## MODEL#97861













Thank you for purchasing the quality product. Be sure to check all packing material carefully for small parts which may have come loose inside the carton during shipment. Separate, identify and count all parts and metal hardware. Compare with all parts list to be sure all parts are present. If any part(s) are missing or damaged, please contact your local furniture dealer. For efficient and speedy service, please indicate the model number and code letter of part(s) needed.

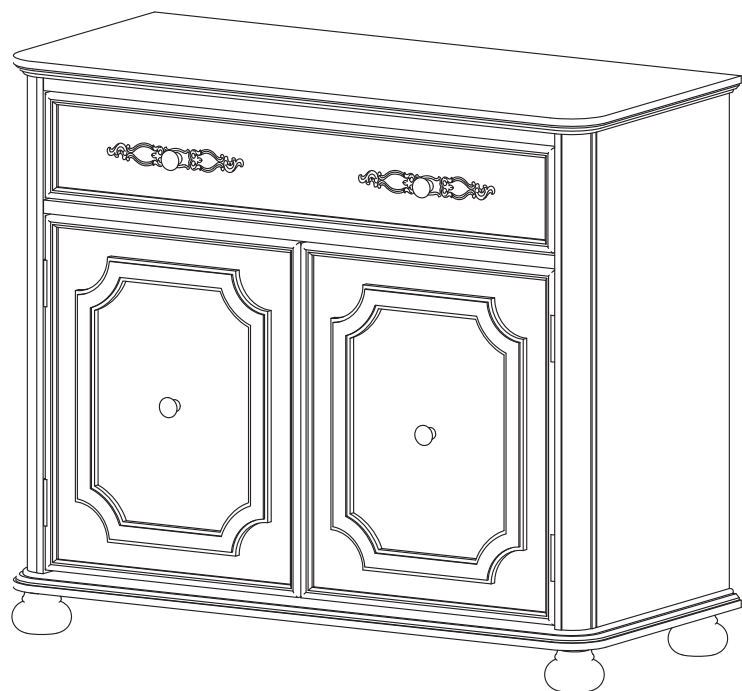
\*\*\*Do not fully tighten screws until fully assembled\*\*\*

COMPONENT PARTS		
DESCRIPTION	PART NAME	Q'TY(PCS)
(A)	top panel 	1
(B)	Left panel 	1
(C)	Right panel 	1
(D)	Bottom panel 	1
(E)	Brace 	1
(F)	Brace 	1
(G)	Back panel 	2
(H)	Shelf panel 	1
(I)	Left Door panel 	1
(J)	Right Door panel 	1
(K)	Drawer front panel 	1
(L)	Drawer Left side Panel 	1

<p>(M)</p>	<p>Drawer Right side Panel</p>		<p>1</p>
<p>(N)</p>	<p>Drawer Back Panel</p>		<p>1</p>
<p>(O)</p>	<p>Drawer Bottom Panel</p>		<p>1</p>
<p>(P)</p>	<p>Brace</p>		<p>1</p>
<p>(Q)</p>	<p>Legs</p>		<p>4</p>

# HARDWARE REQUIRED

- |   |   |                  |           |        |
|---|---|------------------|-----------|--------|
| ① |    | Cam bolt         | Ø6*35mm   | 12 pcs |
| ② |    | Cam lock         | Ø15*12mm  | 12 pcs |
| ③ |    | Wooden dowel     | Ø8*30mm   | 10 pcs |
| ④ |    | Screw            | Ø3.5*25mm | 15 pcs |
| ⑤ |    | Screw            | Ø3*15mm   | 16 pcs |
| ⑥ |    | Plastic patch    |           | 2 pcs  |
| ⑦ |    | Screw            | Ø3*19mm   | 16 pcs |
| ⑧ |    | Metal dowel      |           | 4 pcs  |
| ⑨ |    | Door Knob        |           | 2 pcs  |
| ⑩ |   | Bolt             | Ø4*19mm   | 4 pcs  |
| ⑪ |  | Drawer Knob      |           | 2 pcs  |
| ⑫ |  | Safety strap kit |           | 1 set  |

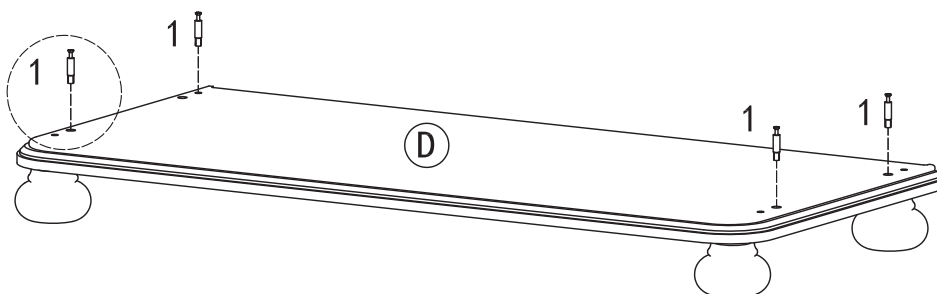
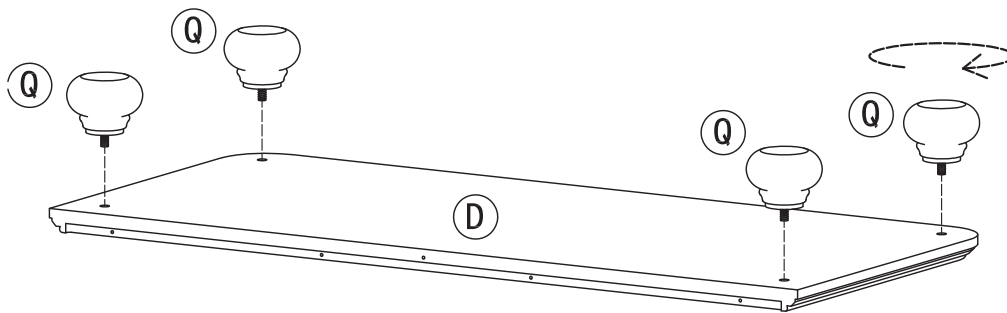
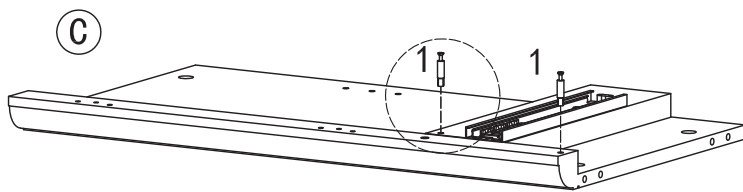
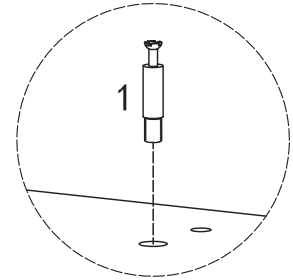
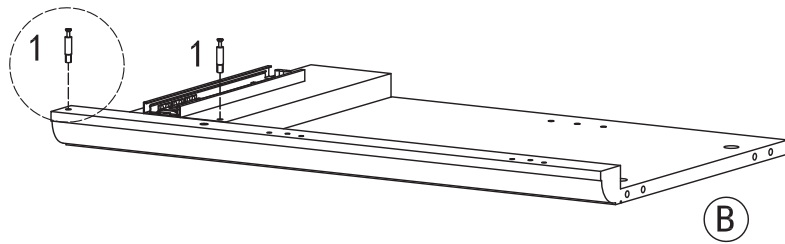
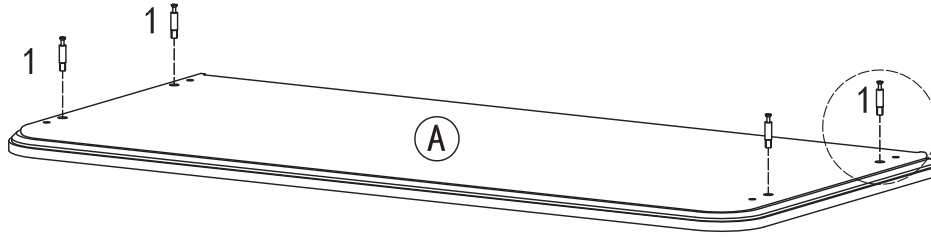


## Attention:

\*\*\* Some number parts listed on the instruction sheet may not be in parts bag as they may already be assembled. Carefully check parts and packing materials prior to ordering replacements.

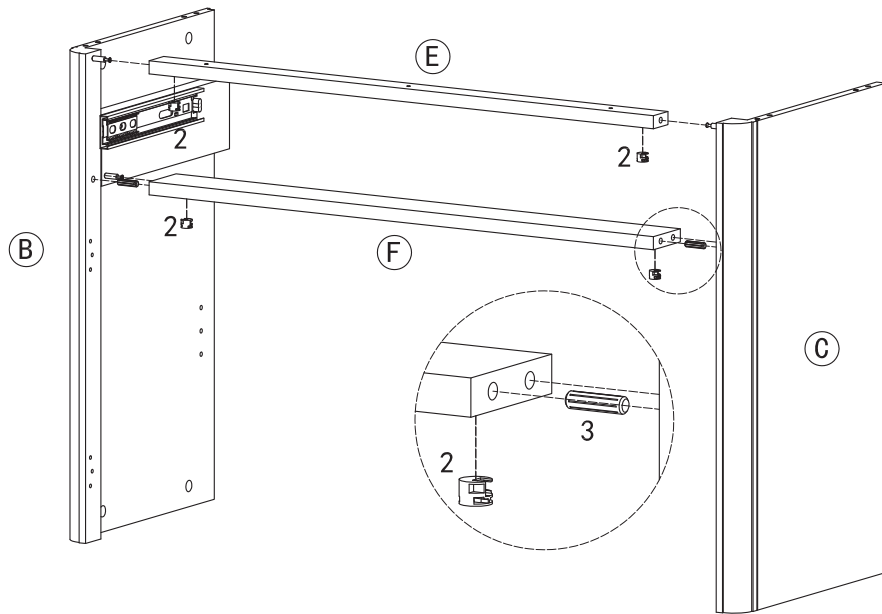
# How to assemble:

Step 1

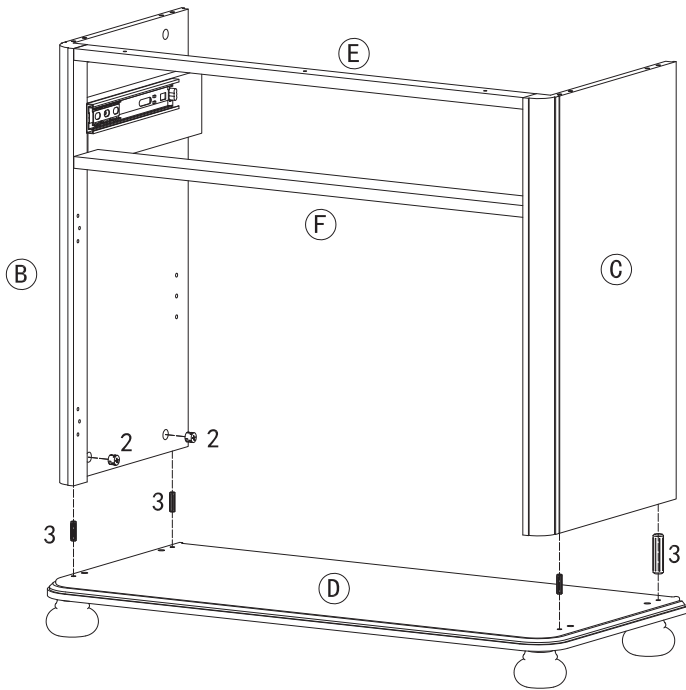


# How to assemble:

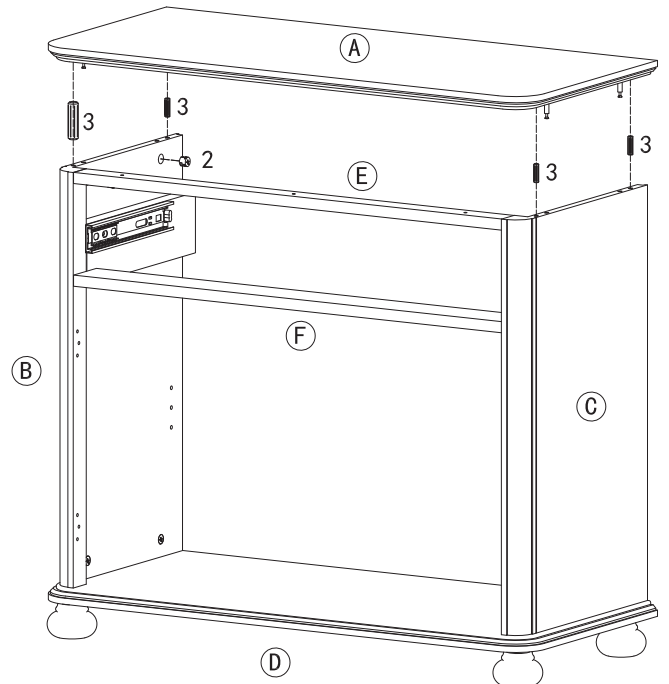
## Step 2



## Step 3

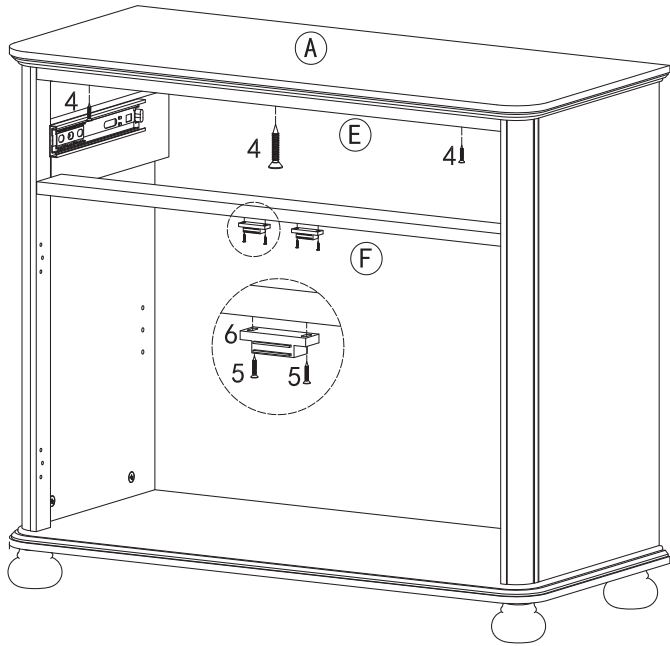


## Step 4

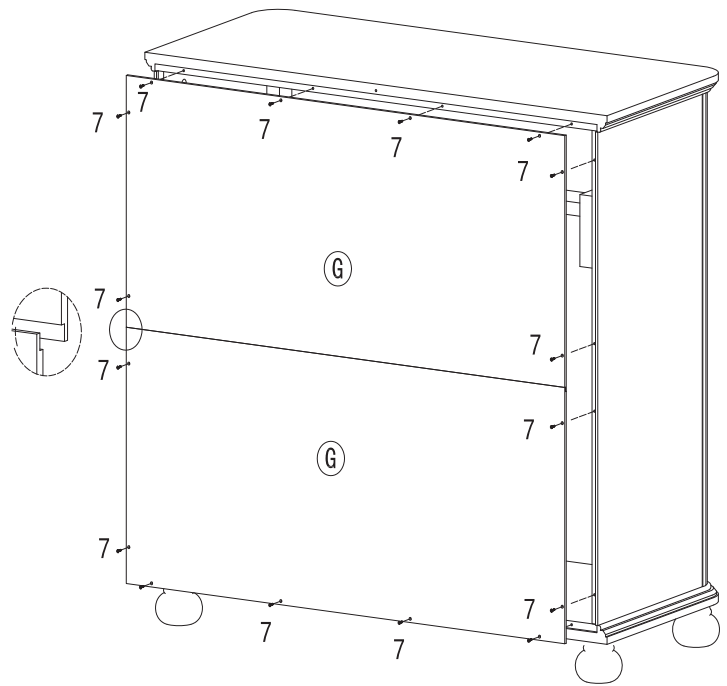


# How to assemble:

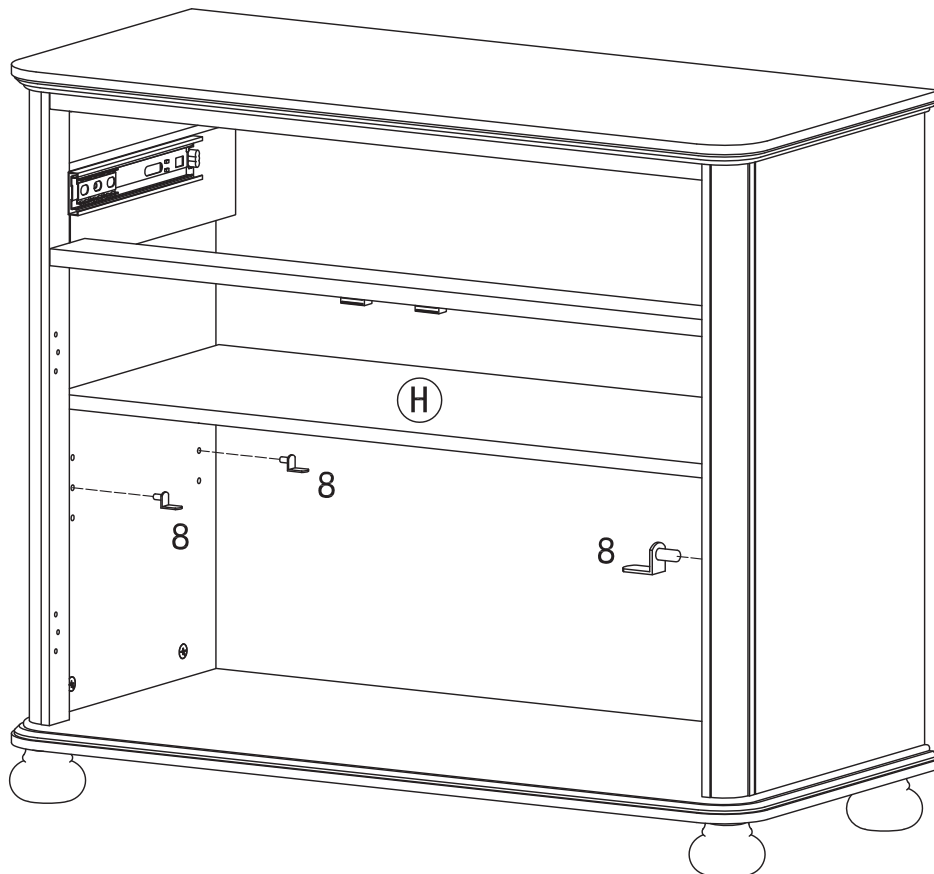
Step 5



Step 6

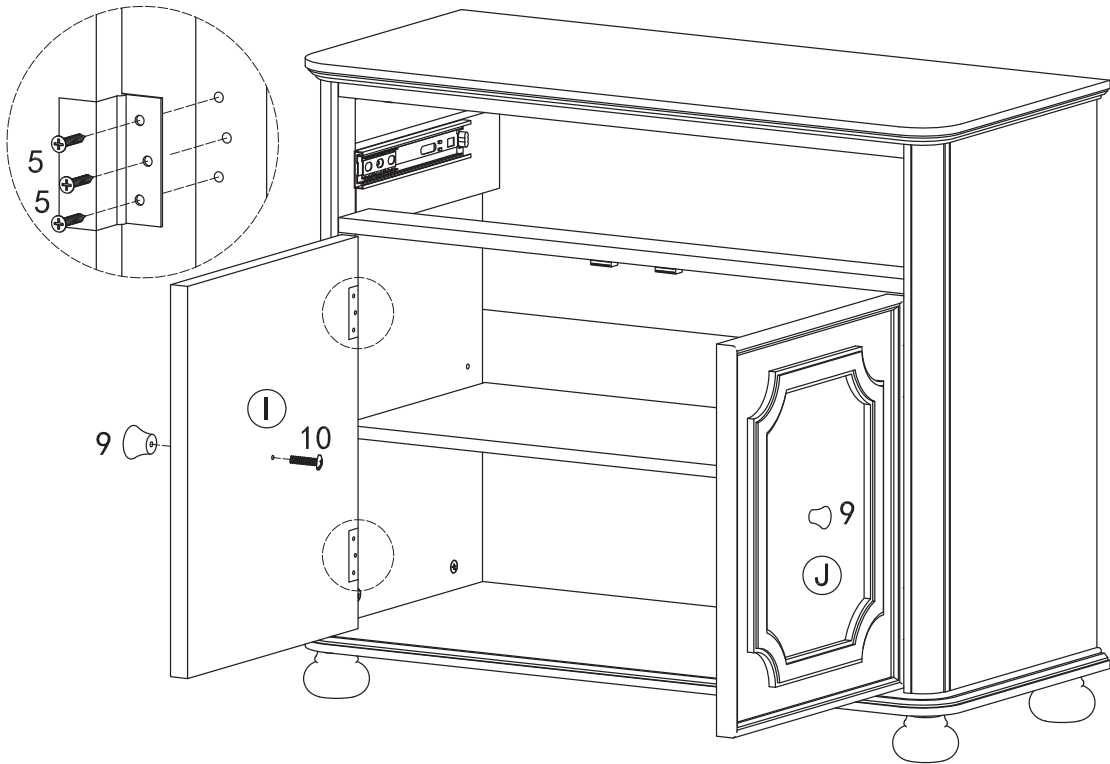


Step 7

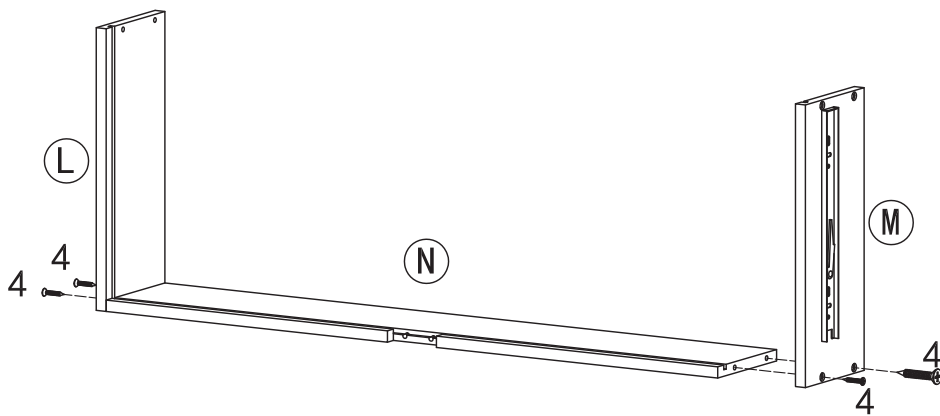


# How to assemble:

Step 8

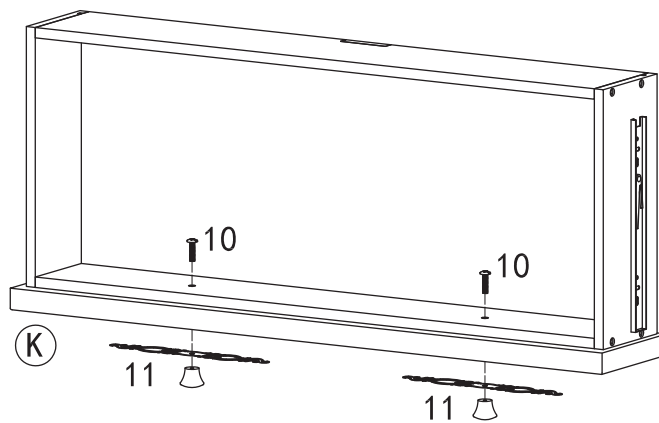
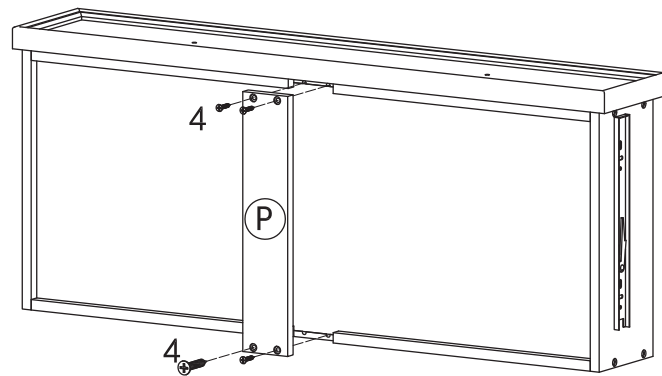
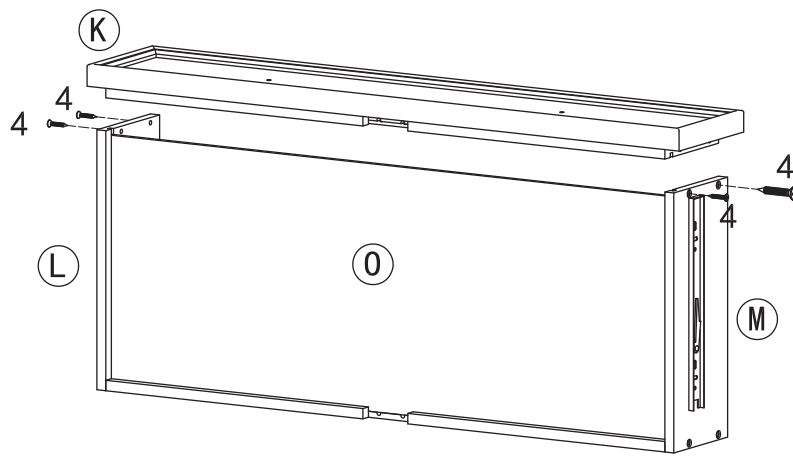
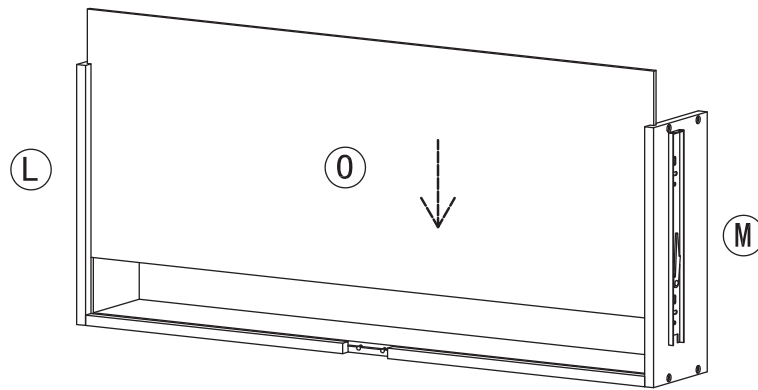


Step 9



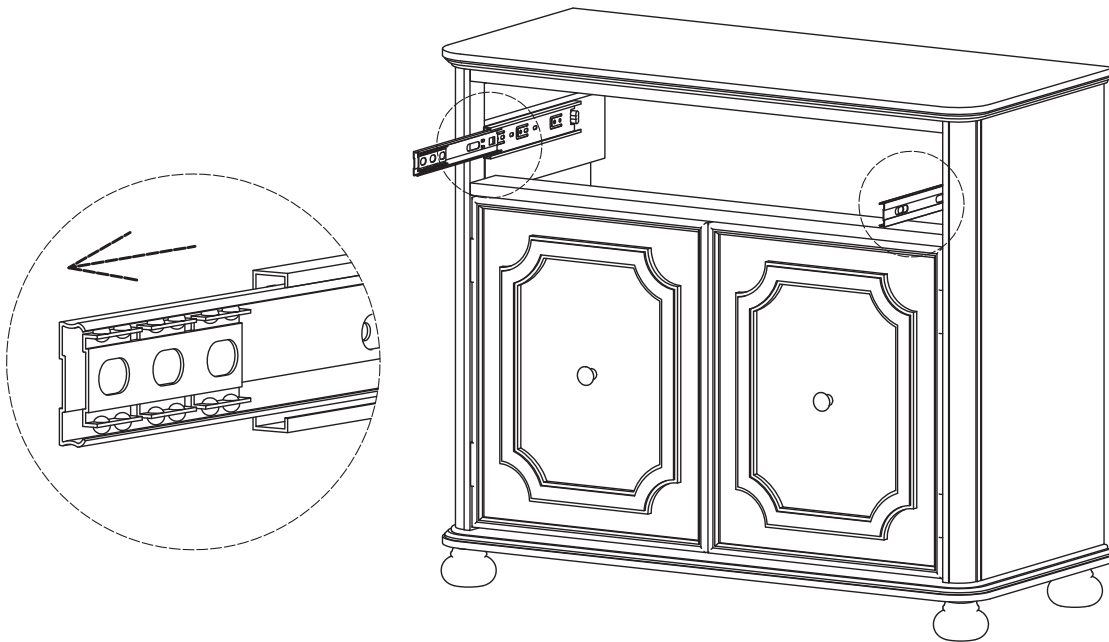
# How to assemble:

Step 10

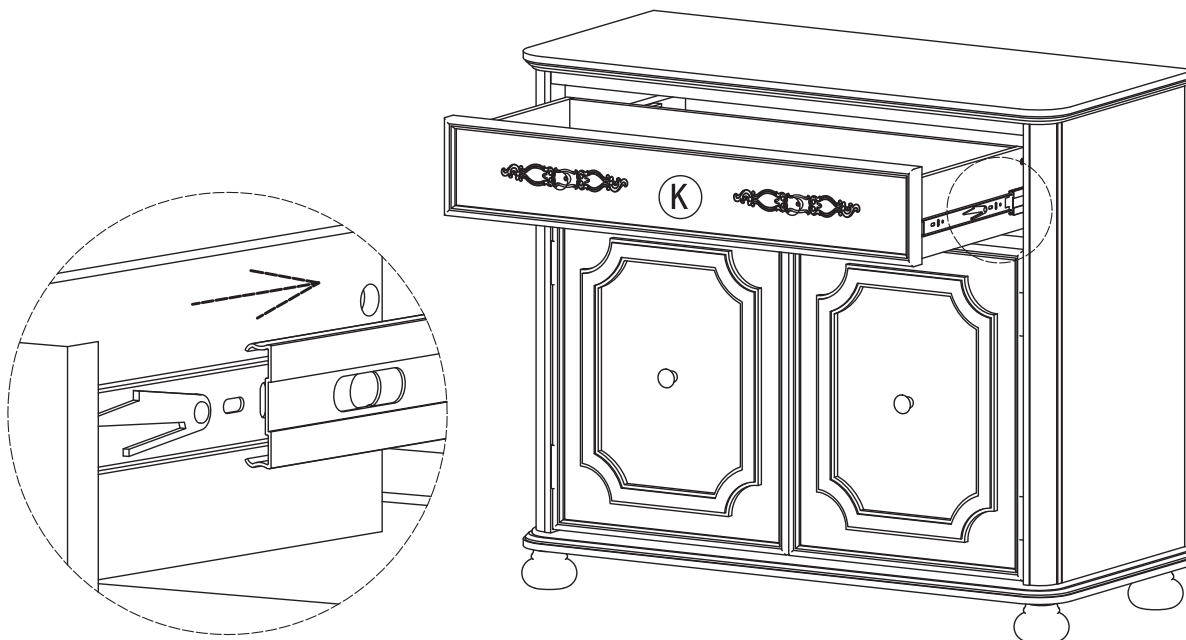


## How to assemble:

Step 11




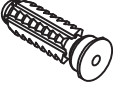



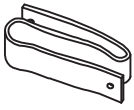
Slide out the side panel drawer glides for proper insertion of the drawers.



Line up the drawer glides on the drawers on both sides so that they enter evenly into the extended receiving side panel drawer glides as shown then gently push in the drawer until the drawer is secure and slides in and out smoothly.

# How to assemble:

Step 12

12		a	b	c	d	e
SAFETY STRAP KIT 1 set						
		1 PC	2 PCS	Ø4*19 1 PC	Ø4*50 1 PC	1 PC

