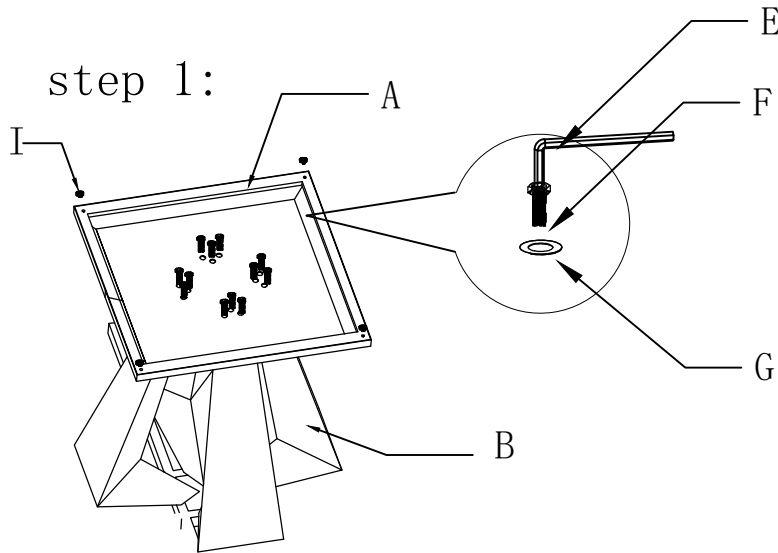


ASSEMBLY INSTRUCTION FOR ACME FURNITURE

Model:#68265

Thank you for purchasing this quality product, be sure to check all the packing materials carefully. When you received, please pay attention to the products, which may cause deformed during the shipment.



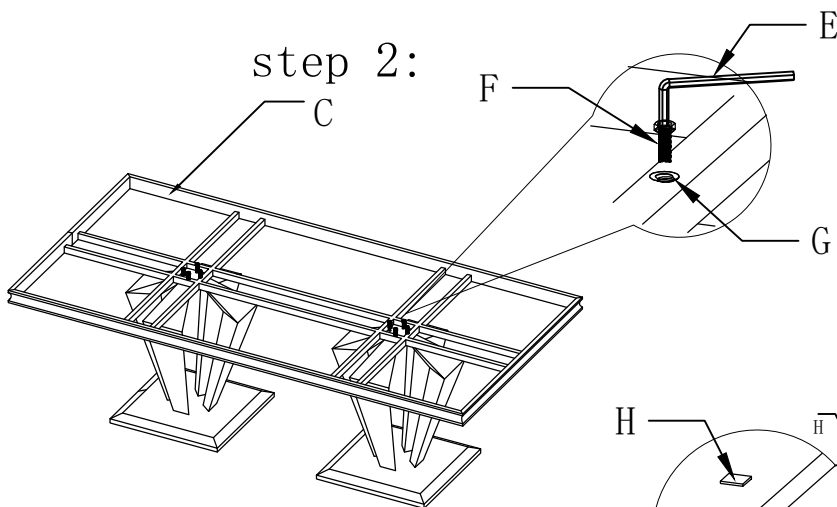
Fit the adjust legs (I) to bottom base, Connect Stainless steel pillar (B) with Stainless steel base (A) by Screw (F) (M8*20), tighter, one by one

PART LIST

NO.	Designation	Quantity	Diagram
A	Stainless steel base	2	
B	Stainless steel pillar	8	
C	Table top frame	1	
D	Table top	1	

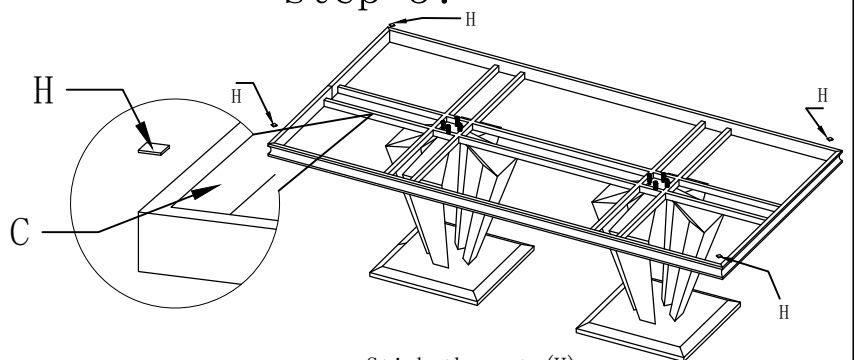
HARDWARE LIST

NO.	Designation	Quantity	Size	Diagram
E	Allen key	1	M5	
F	Screw	16	M8*16	
		24	M8*20	
G	Washer	40	Dia17mm	
H	Mat	4	19*19*2	
I	Adjust leg	8	Dia20	



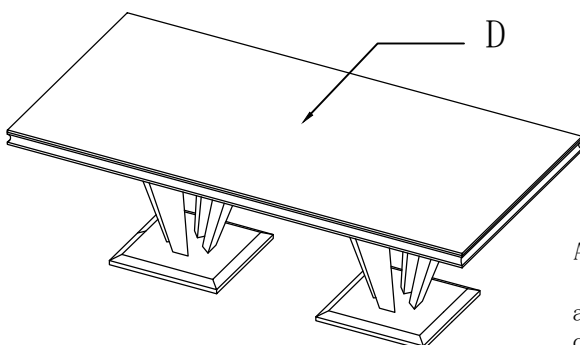
Connect Table top frame (C) to Stainless steel pillar (B) with bolts (F) (M8*16), Tighten

step 3:



Stick the mat (H) on 4 corners of the Table Top frame (C)

step 4:



Assemble the Table top (D) on the frame by aligning all the corners gently