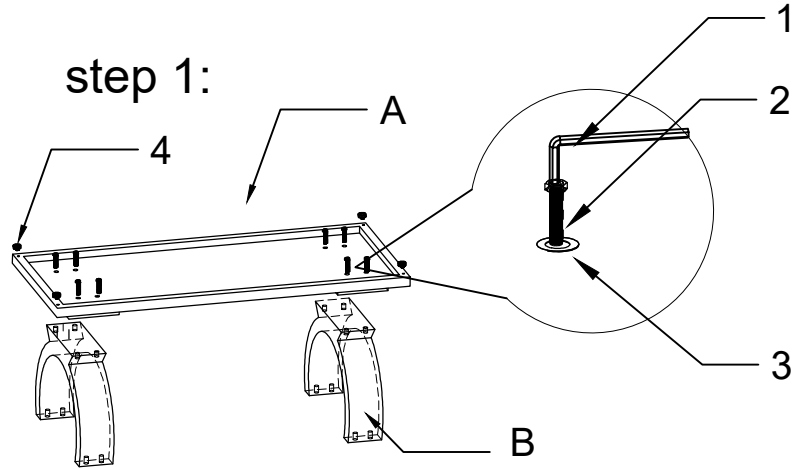


ASSEMBLY INSTRUCTION FOR ACME FURNITURE

Model:#87355

Thank you for purchasing this quality product, be sure to check all the packing materials carefully. When you received, please pay attention to the products, which may cause deformed during the shipment.



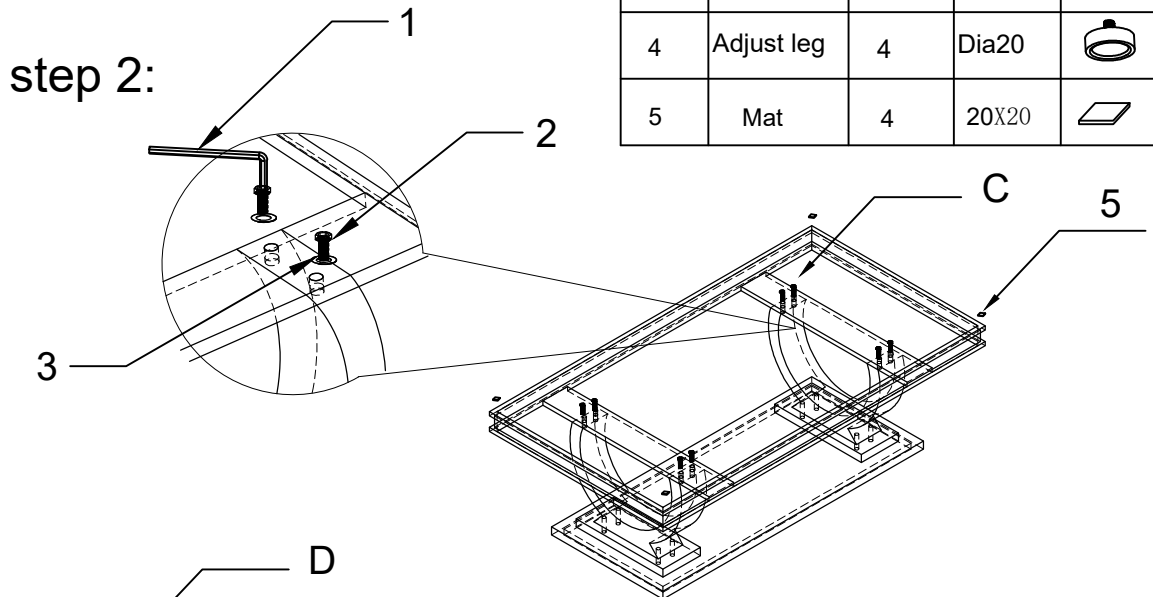
Fit the adjust legs (4) to bottom base, Connect Stainless steel pillar (B) with Stainless steel base (A) by Screw (2) (M8*40), tighter, one by one

PART LIST

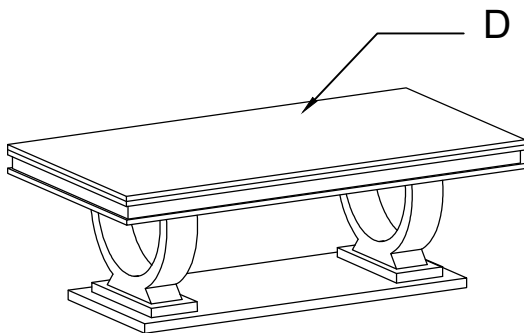
NO.	Designation	Quantity	Diagram
A	Stainless steel base	1	
B	Stainless steel pillar	2	
C	Table top frame	1	
D	Table top	1	

HARDWARE LIST

NO.	Designation	Quantity	Size	Diagram
1	Allen key	1	M5	
2	Screw	8	M8*40	
		8	M8*50	
3	washer	16	Dia20mm	
4	Adjust leg	4	Dia20	
5	Mat	4	20X20	



Place the Table top (C) on the stainless steel pillar (B) as shown. Then, install the stainless steel pillar (B) to the table top (C) from the bottom by the screw (2) (M8*50)



Finished