

ASSEMBLY INSTRUCTION FOR ACME FURNITURE









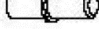

MODEL# 77180T/77181ST COTTAGE COUNTER TABLE

Thank you for purchasing the quality product. Be sure to check all packing material carefully for small parts which may have come loose inside the carton during shipment. Separate, identify and count all parts and metal hardware. Compare with all parts list to be sure all parts are present. If any part(s) are missing or damaged, please contact your local furniture dealer. For efficient and speedy service, please indicate the model number and code letter of part(s) needed.

*****Do not fully tighten screws until fully assembled*****

	COMPONENT PARTS	
DESCRIPTION	PART NAME	Q'TY (PCS)
P1	LEGS	4
P2	BOTTOM PLATE	1
P3	MIDDLE BOARD	1
P4	SIDE BOARD	2
P5	TOP PLATE	1
P6	MOUNTING BOARD	2
P7	TABLE TOP	1
P8	SLIDE BOARD	2

HAREWARES REQUIRED

H1		JCBC BOLT M8 x 70MM - 12 PCS
H2		JCBC BOLT M6 x 40MM - 12 PCS
H3		M8 SPRING WASHER - 12 PCS
H4		M8 FLAT WASHER - 12 PCS
H5		M8 ALLEN KEY - 1 PC
H6		M6 SPRING WASHER - 12 PCS
H7		M6 FLAT WASHER - 12 PCS
H8		M6 ALLEN KEY - 1 PC
H9		SHELF SUPPORT - 8 PCS
H10		WOOD DOWEL - 12 PCS

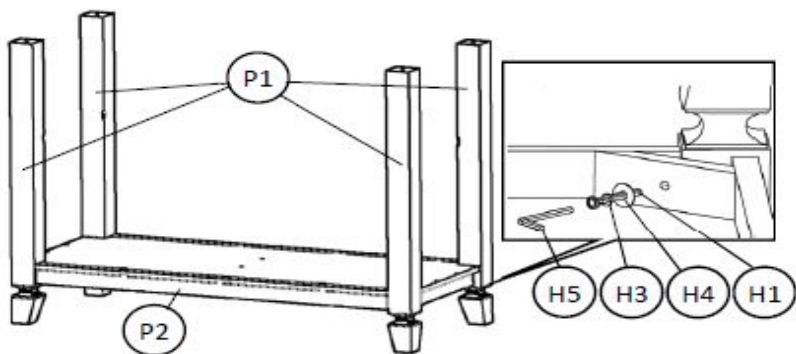
Attention:

*** Some number parts listed on the instruction sheet may not be in parts bag as they may already be assembled.

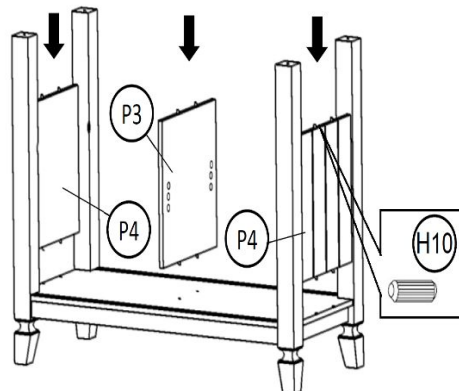
Carefully check parts and packing materials prior to ordering replacements.

How to assemble:

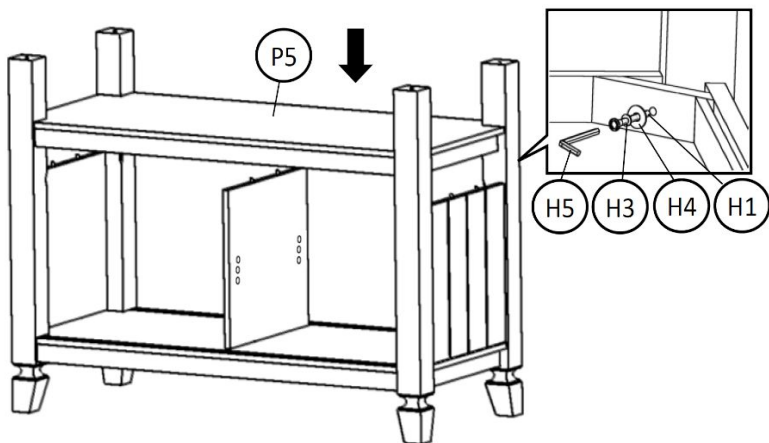
STEP 1:



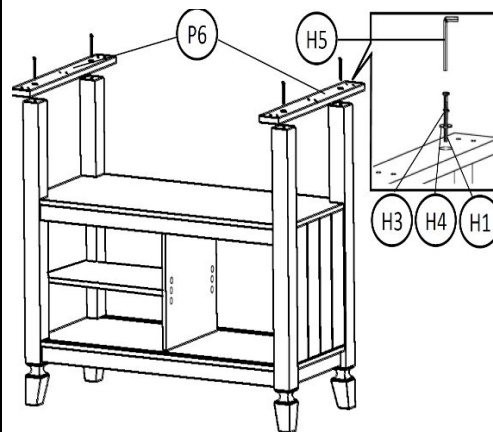
STEP 2:



STEP 3:

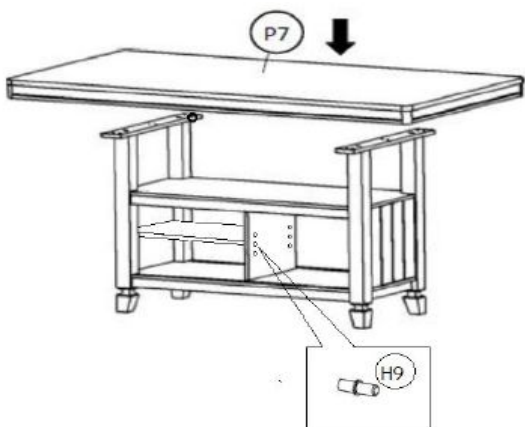


STEP 4:

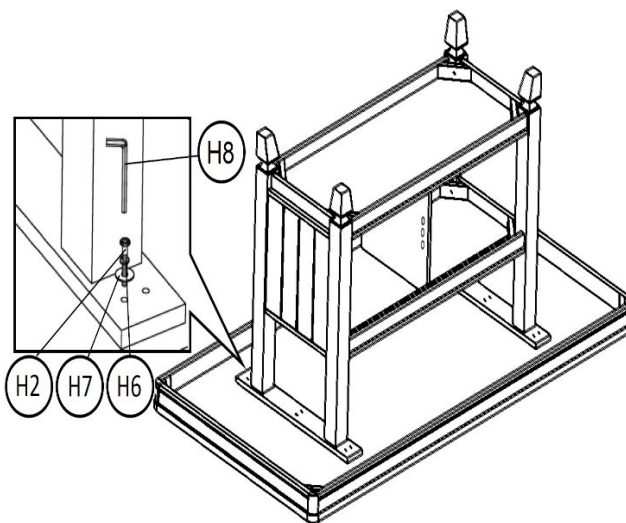


STEP 5:

STEP 5:

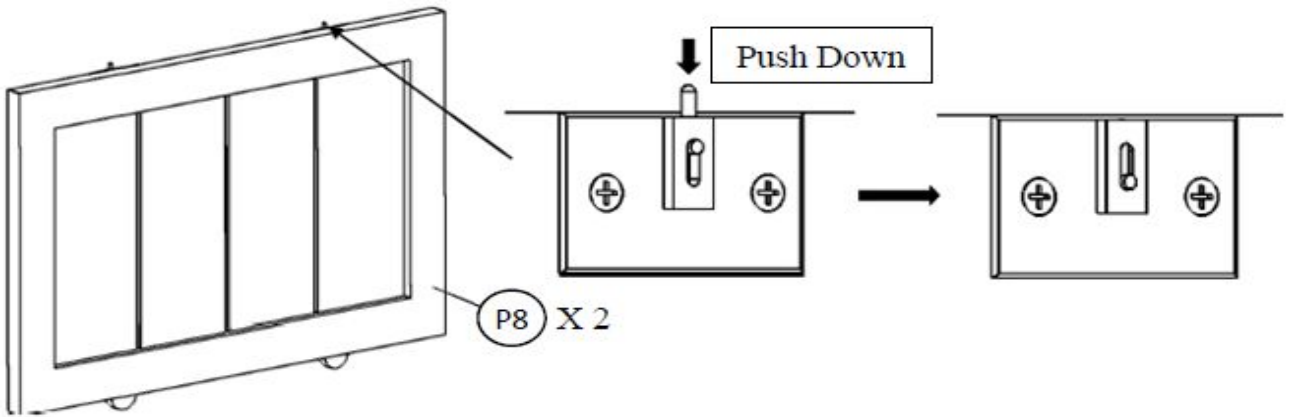


STEP 6:



How to assemble:

STEP 7:



STEP 8:

