

# **ASSEMBLY INSTRUCTION FOR ACME FURNITURE**






## **MODEL# 77170 DINING TABLE W/P2**

have come loose inside the carton during shipment. Separate, identify and count all parts and metal hardware. Compare with all parts list to be sure all parts are present. If any part(s) are missing or damaged, please contact your local furniture dealer. For efficient and speedy service, please indicate the model number and code letter of part(s) needed.

**\*\*\*Do not fully tighten screws until fully assembled\*\*\***

| DESCRIPTION | COMPONENT PARTS |            |
|-------------|-----------------|------------|
|             | PART NAME       | Q'TY (PCS) |
| P1          | TABLE TOP       | 1          |
| P2          | TABLE LEG       | 4          |
| P3          | LONG STRETCHER  | 1          |
| P4          | SIDE STRETCHER  | 2          |

### HAREWARES REQUIRED

|    |   |                             |
|----|---|-----------------------------|
| H1 |   | JCBC BOLT M8 x 60MM - 8 PCS |
| H2 |  | SPRING WASHER - 8 PCS       |
| H3 |  | FLAT WASHER - 8 PCS         |
| H4 |  | SCREW M4 X 38MM - 6 PCS     |
| H5 |  | ALLEN KEY - 1 PCS           |

### **Attention:**

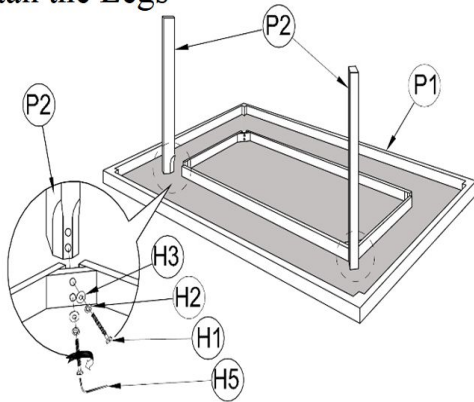
**\*\*\* Some number parts listed on the instruction sheet may not be in parts bag as they may already be assembled.**

**Carefully check parts and packing materials prior to ordering replacements.**

## How to assemble:

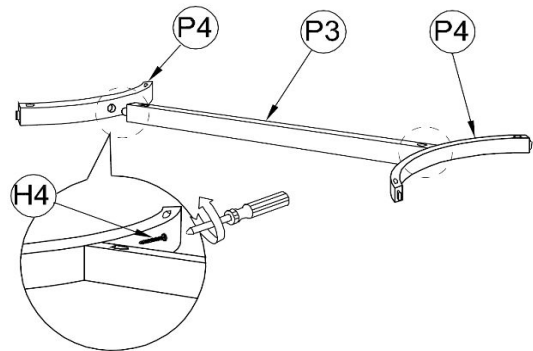
### STEP 1:

Install the Legs



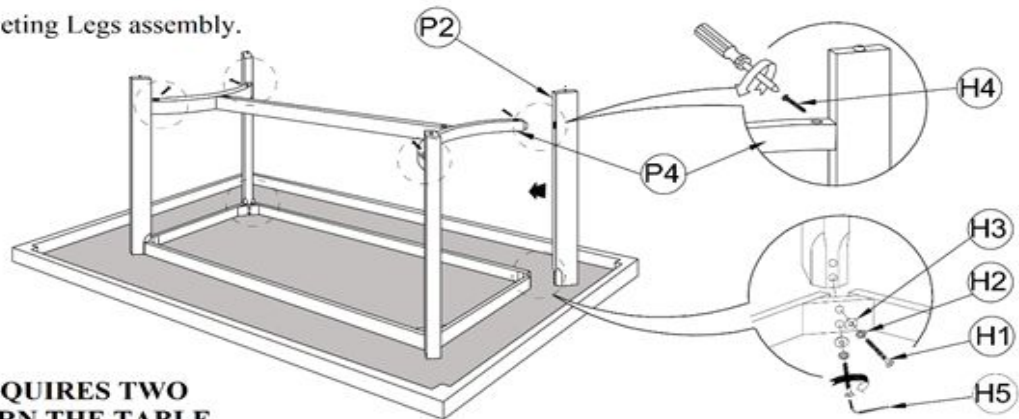
### STEP 2:

Assemble the Stretchers .



### STEP 3:

Completing Legs assembly.



**CAUTION ! : REQUIRES TWO ADULTS TO TURN THE TABLE UPRIGHT AFTER FINISHED ASSEMBLY IT .**