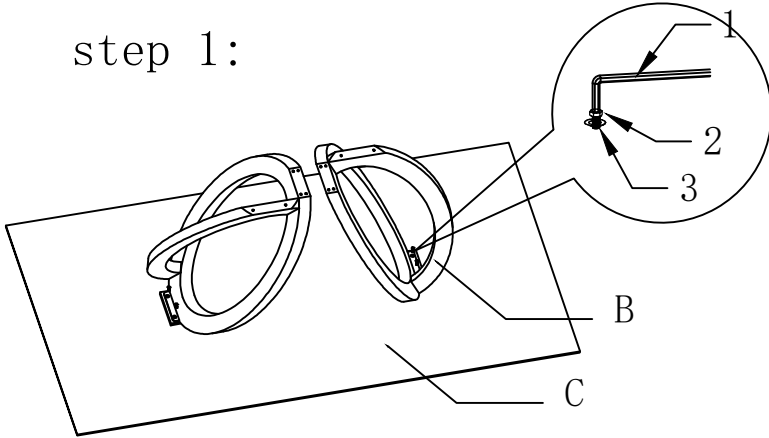


# ASSEMBLY INSTRUCTION FOR ACME FURNITURE

Model:#68260

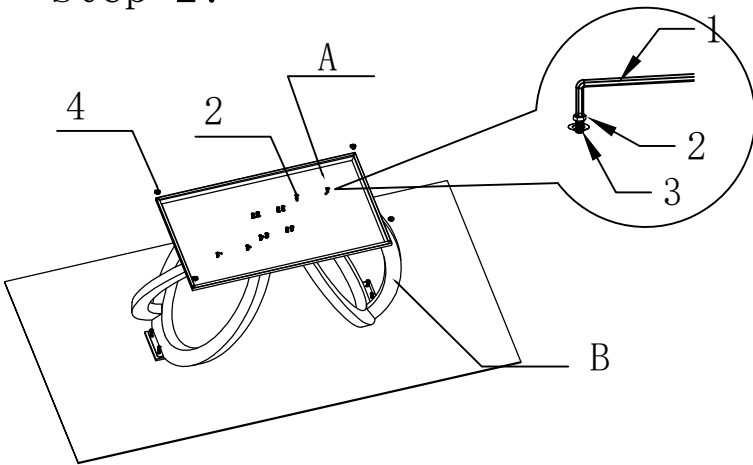
Thank you for purchasing this quality product, be sure to check all the packing materials carefully. When you received, please pay attention to the products, which may cause deformed during the shipment.

step 1:



Place the Table top (C) on the Table top frame (B) by screw (M8\*12)

step 2:



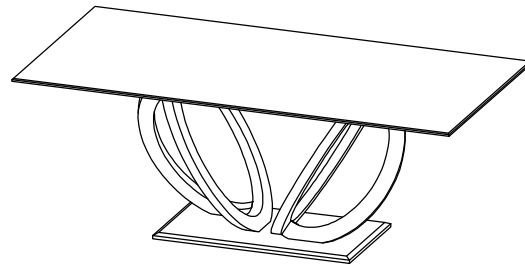
Connect stainless steel base (A) with stainless steel pillar (B) by screw (M8X20), Fit the adjust legs (4) to bottom base

## PART LIST

NO.	Designation	Quantity	Diagram
A	Stainless steel base	1	
B	Stainless steel pillar	2	
C	Table top	1	

## HARDWARE LIST

NO.	Designation	Quantity	Size	Diagram
1	Allen key	1	M6	
2	Screw	12	M8*20	
		4	M8*12	
3	washer	16	Dia20mm	
4	Adjust leg	4	Dia20	



Finished