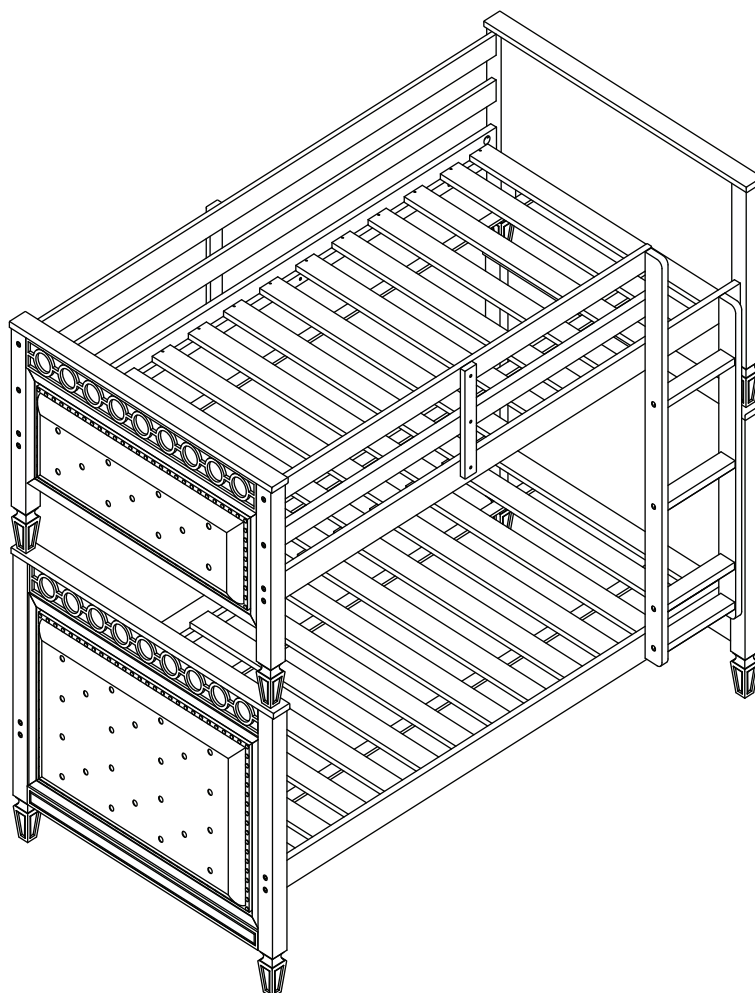



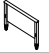

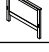






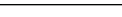


*** Thank you for purchasing this quality product. Be sure to check all packing materials carefully for small parts which may have come loose inside the carton during shipment. Identify and count all parts and compare with parts list below.

*** Assemble product on a flat, soft surface such as a carpet or cloth to prevent scratching the finish. Read all instruction and study the drawings carefully before starting the assembly process.


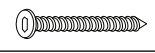
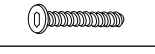
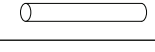
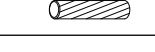





IMPORTANT: Do not tighten bolts completely until all bolts are completely lined up and inserted into holes

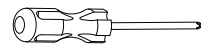
PARTS LIST

NO.	DIAGRAM	PART NAME	Q'Ty
1		Upper Headboard (Left)	1 pc
2		Upper Headboard (Right)	1 pc
3		Lower Headboard (Left)	1 pc
4		Lower Headboard (Right)	1 pc
5		Upper / Lower Front Rail	2 pcs
6		Upper / Lower Back Rail	2 pcs
7		Long Guardrail (Back)	2 pcs
8		Short Guardrail (Front)	2 pcs
9		Ladder Rail (Right Side)	1 pc
10		Ladder Rail (Left Side)	1 pc
11		Ladder Step	4 pcs
12		Guardrail Support	2 pcs
13		Completed Twin Slat (14pcs/1set)	2 sets

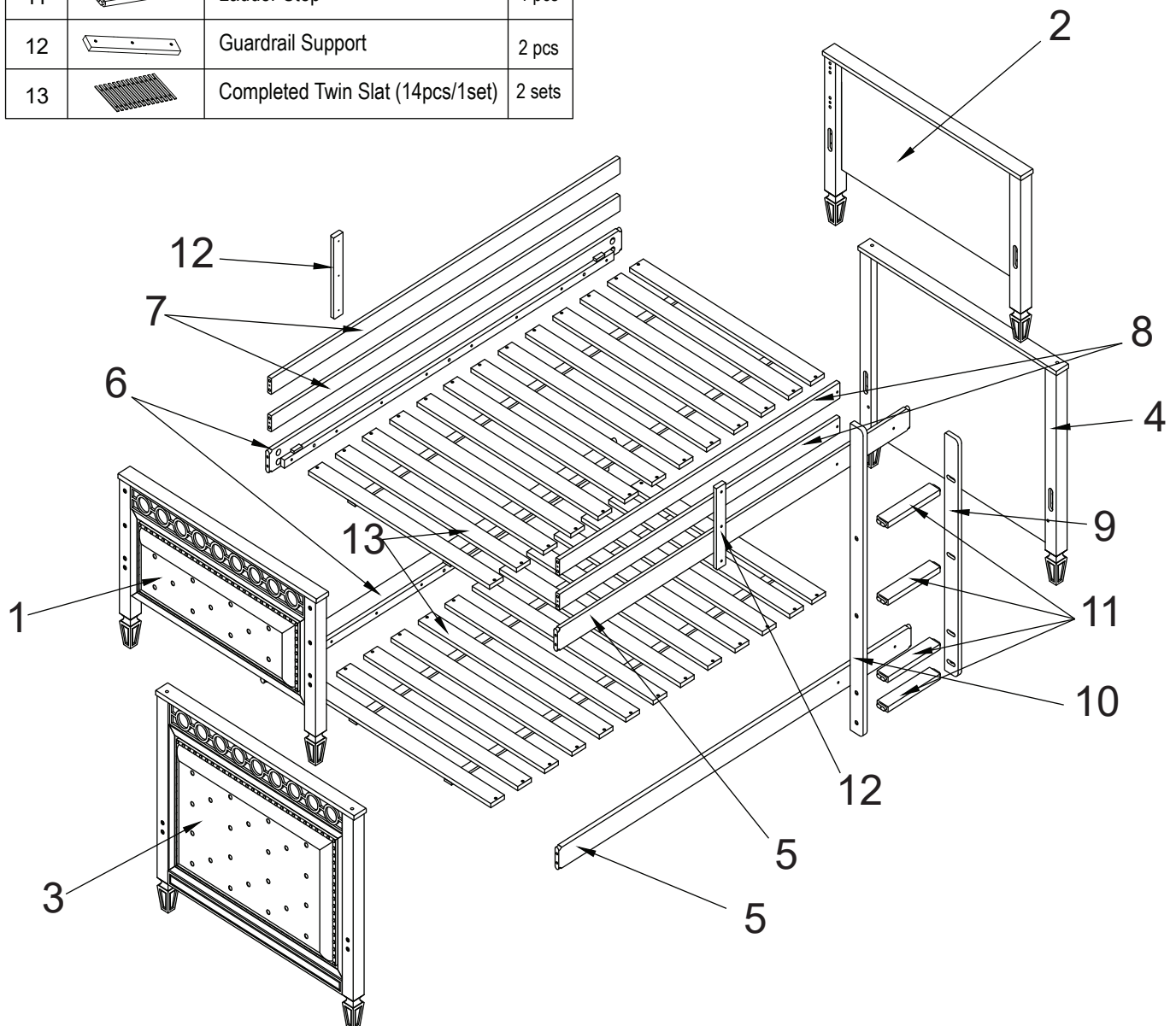
HARDWARE LIST

NO.	DIAGRAM	PART NAME	Q'Ty
A		Bolt: 6.3 x 100 (mm) Half Round Nut	16 sets
B		Long Screw 7 x 100 (mm)	6 pcs
C		Bolt 7 x 50 (mm)	8 pcs
D		Metal Dowel 9 x 9 x 90 (mm)	4 pcs
E		Wood Dowel 10 x 40 (mm)	12 pcs
F		Screw 4 x 30 (mm)	62 pcs
G		Short Bolt 6.3 x 35 (mm)	6 pcs
H		Allen Key (M4)	1 pc

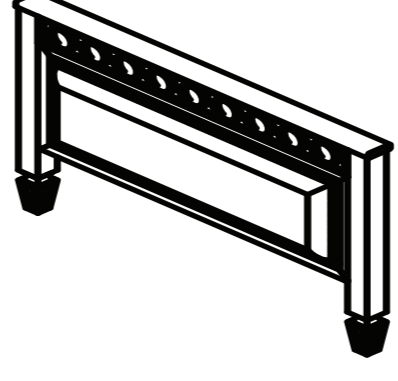
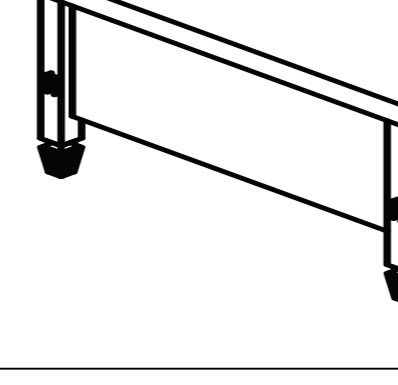
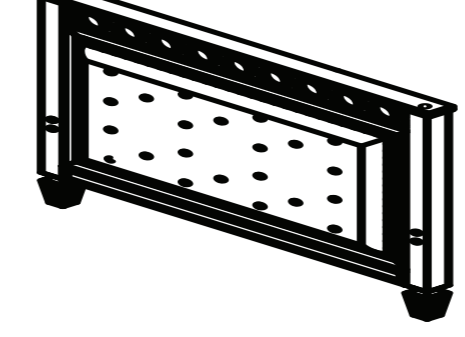
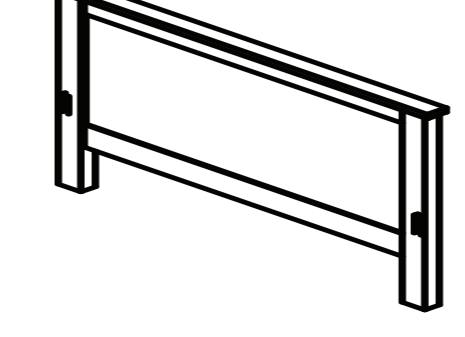
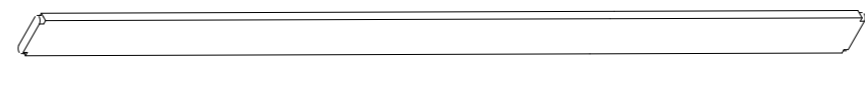
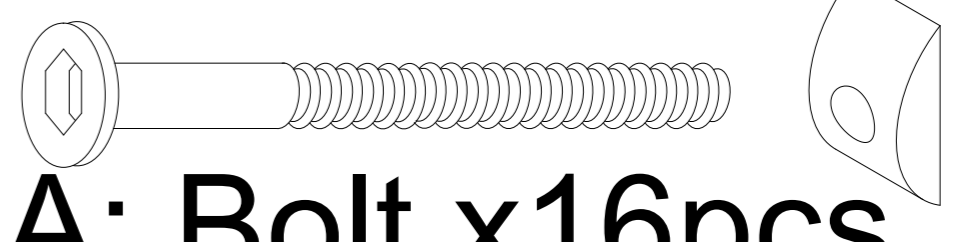
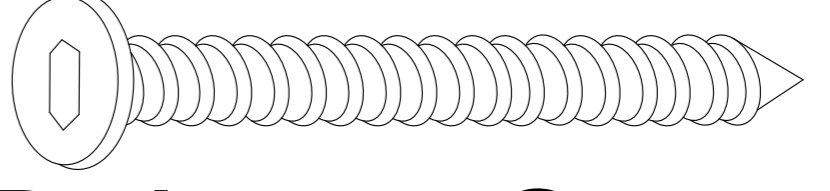
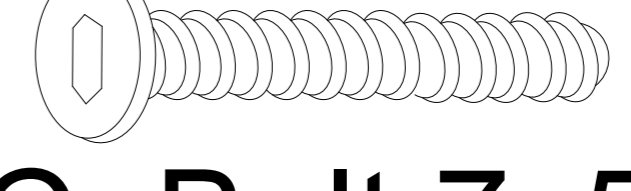
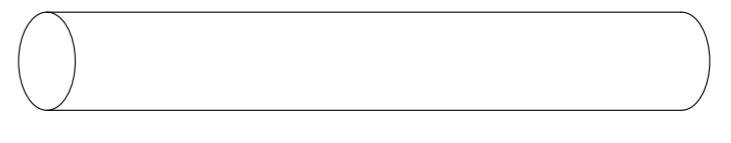

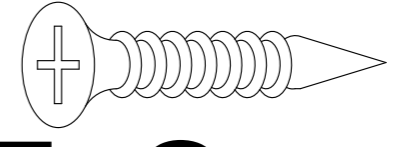
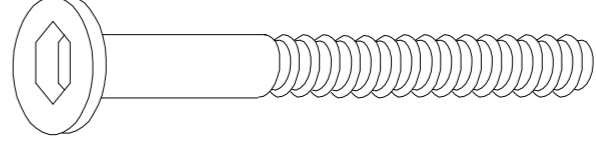
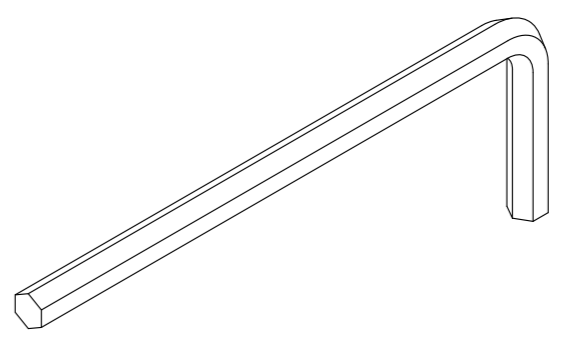
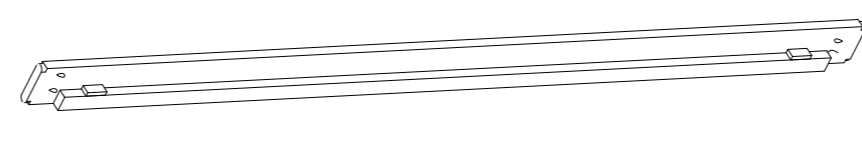
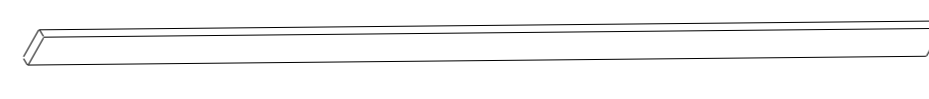
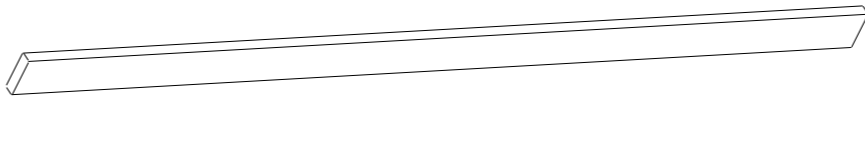
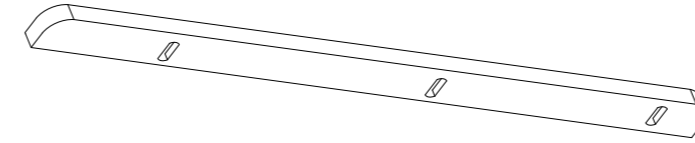
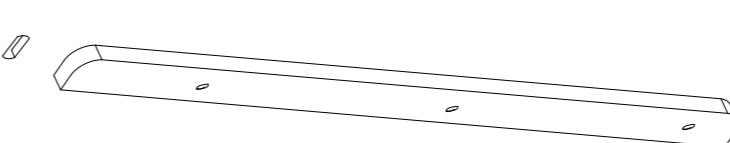
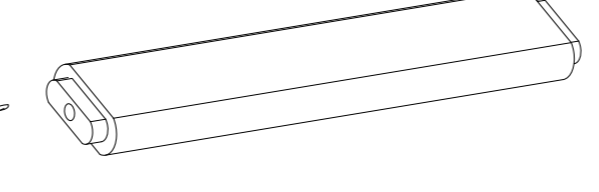
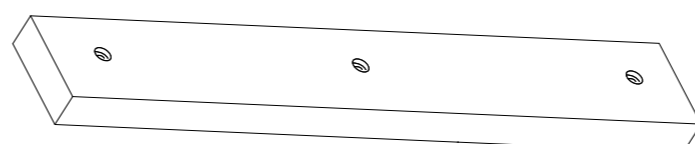
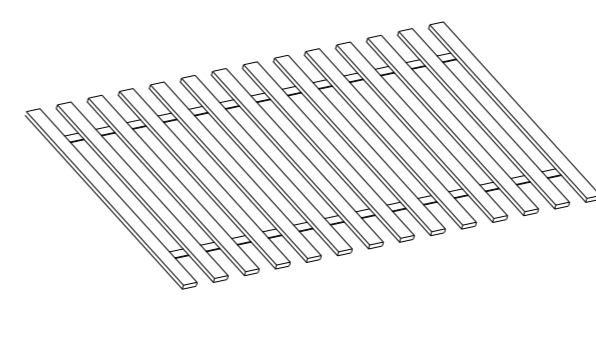
TOOL REQUIRED:



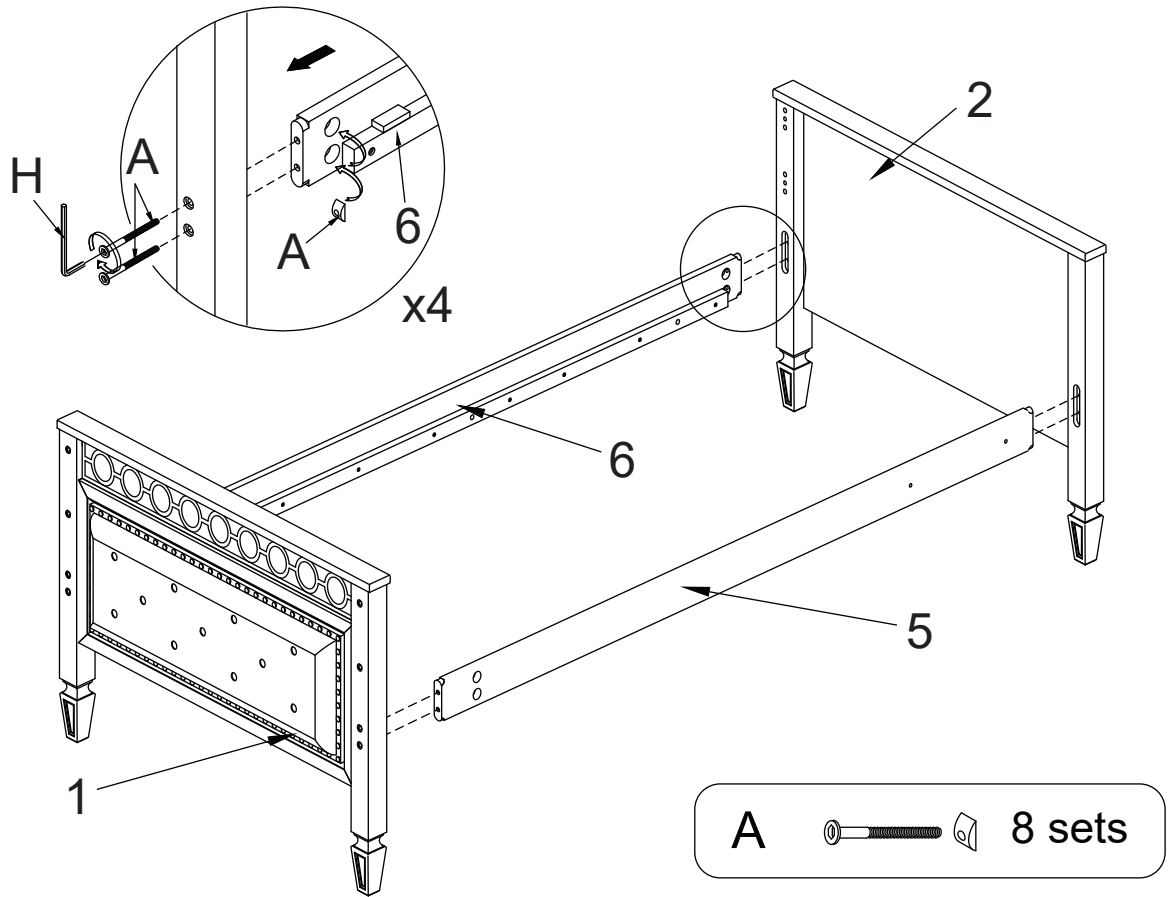
Cross-head Screwdriver (Not provided)



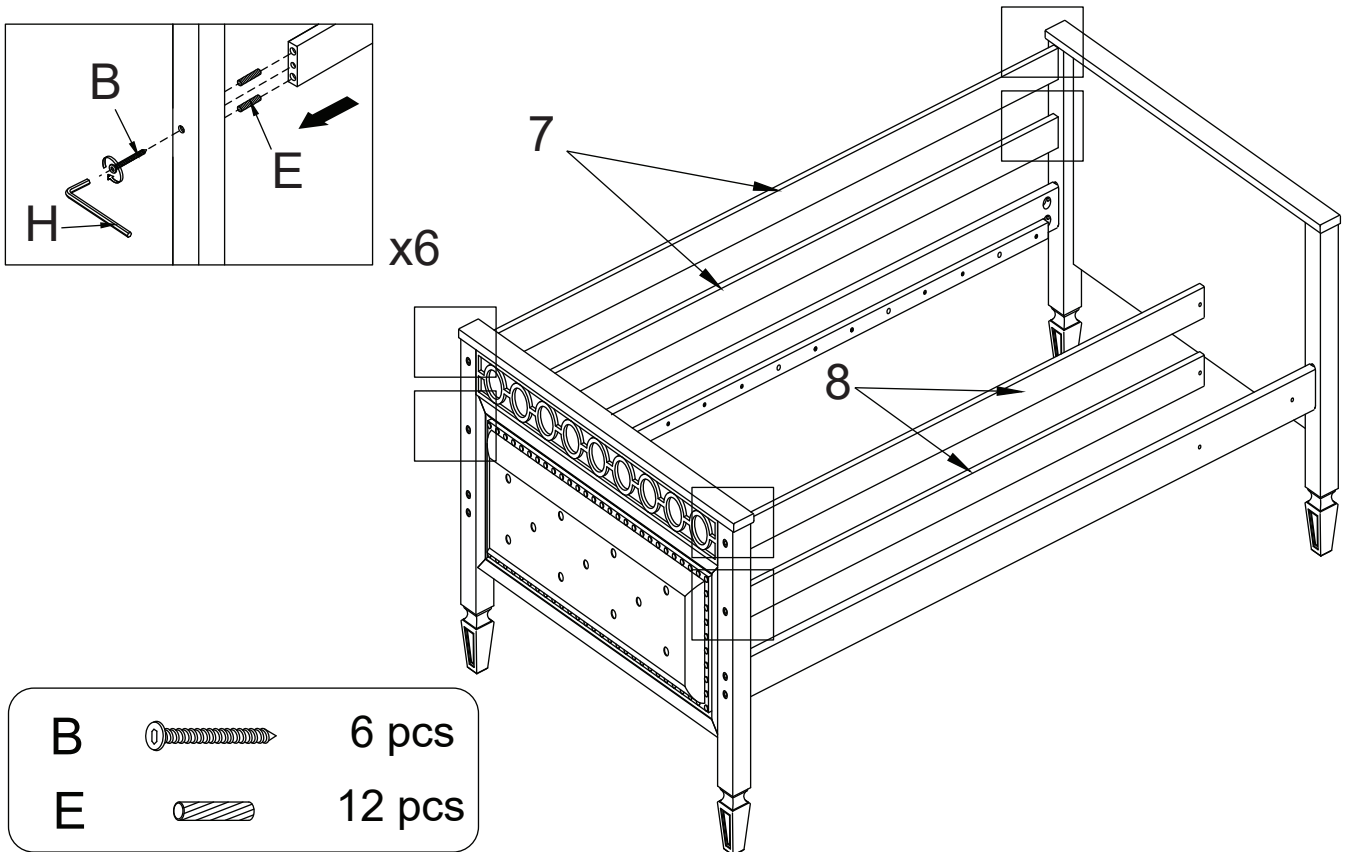
#38330 is packed in 3 cases

Carton	Disignation	Part	Hardware
Item: #38330TOP	Upper Headboard(Left) x 1pc	#1 	
	Upper Headboard(Right) x 1pc	#2 	
Item: #38331BASE	Lower Headboard(Left) x 1pc	#3 	
	Lower Headboard(Right) x 1pc	#4 	
Item: #38332RL	Upper/Lower Front Rail x 2pcs	#5 	 A: Bolt x16pcs Half Round Nut x16pcs  B: Long Screw x6pcs  C: Bolt 7x50mm x8pcs  D: Metal x4pcs  E: Wood Dowel x 12pcs  F: Screw x62pcs  G: Short Bolt x 6pcs  H: Allen Key x1pc
	Upper/Lower Back Rail x 2pcs	#6 	
	Long Guardrail(Back) x 2pcs	#7 	
	Short Guardrail(Front) x 2pcs	#8 	
	Ladder Rail(Right Side) x 1pc	#9 	
	Ladder Rail(Left Side) x 1pc	#10 	
	Ladder Step x 4pcs	#11 	
	Guardrail Support x 2pcs	#12 	
	Completed Twin Slat (14pcs/1set)x 2sets	#13 	

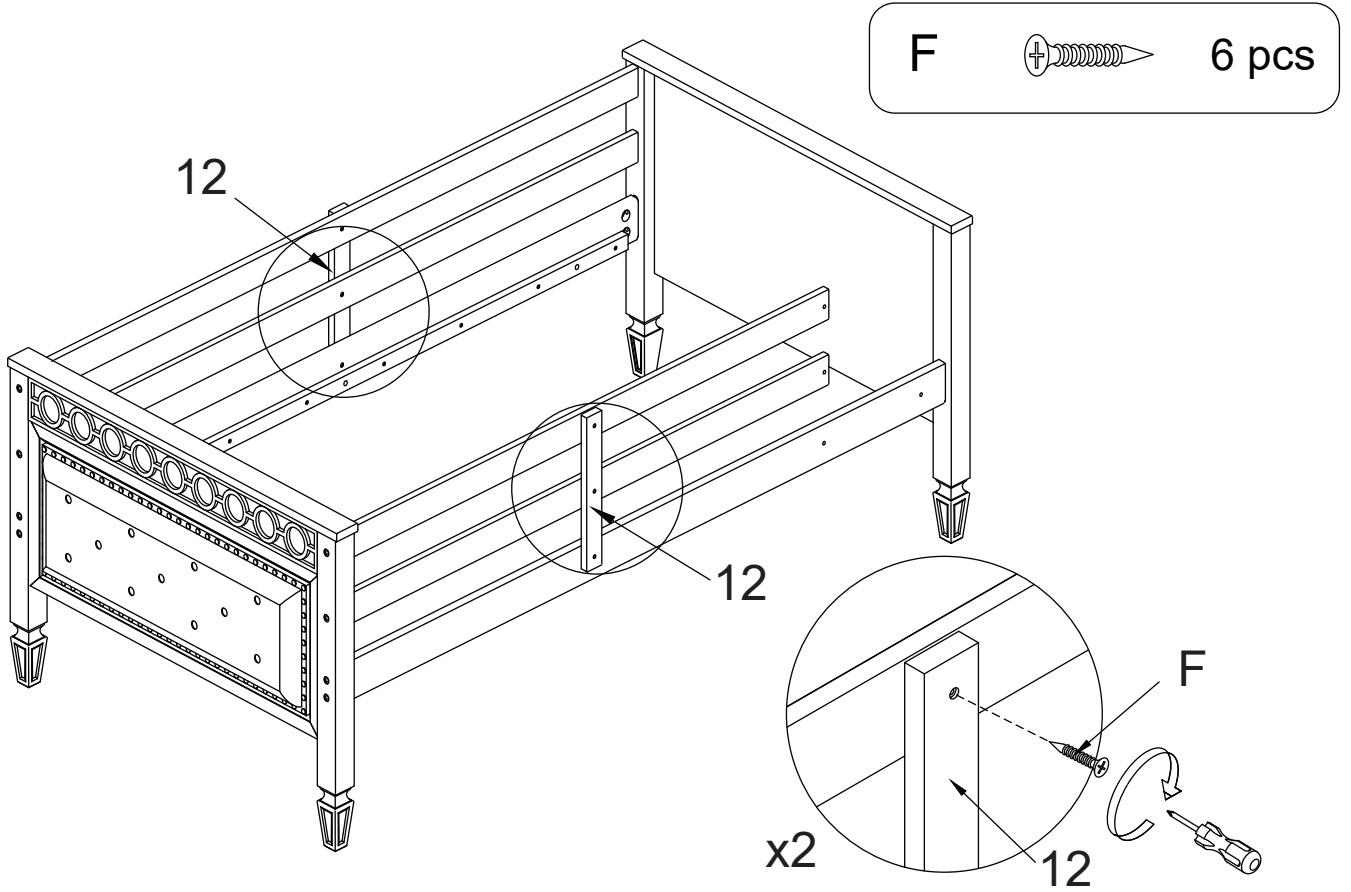
STEP 1: UPPER HEADBOARDS ASSEMBLY



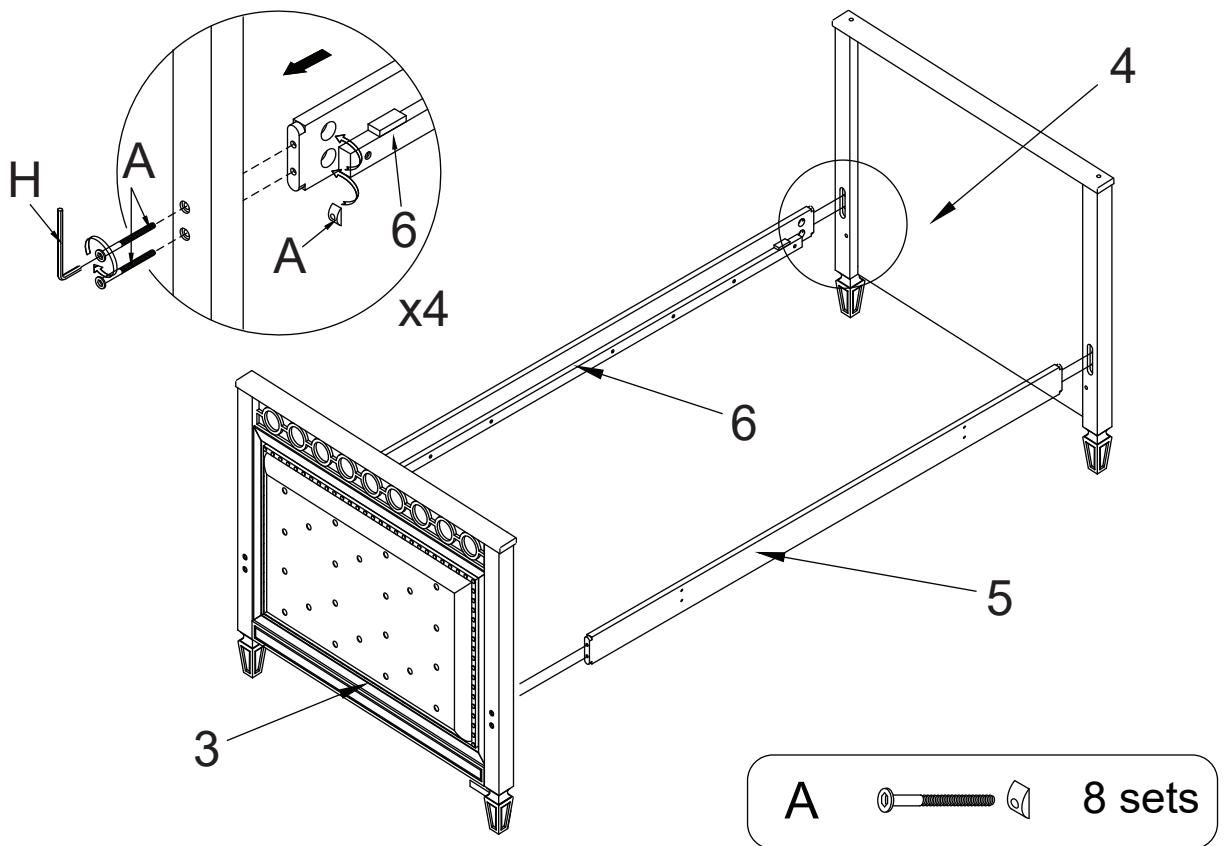
STEP 2: GUARDRAILS ASSEMBLY



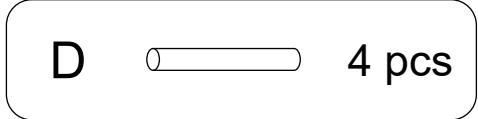
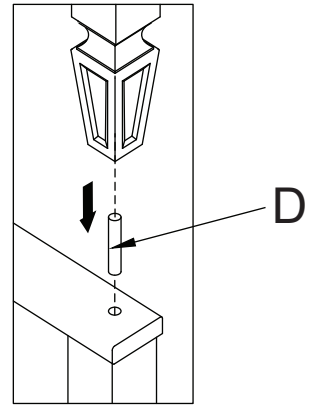
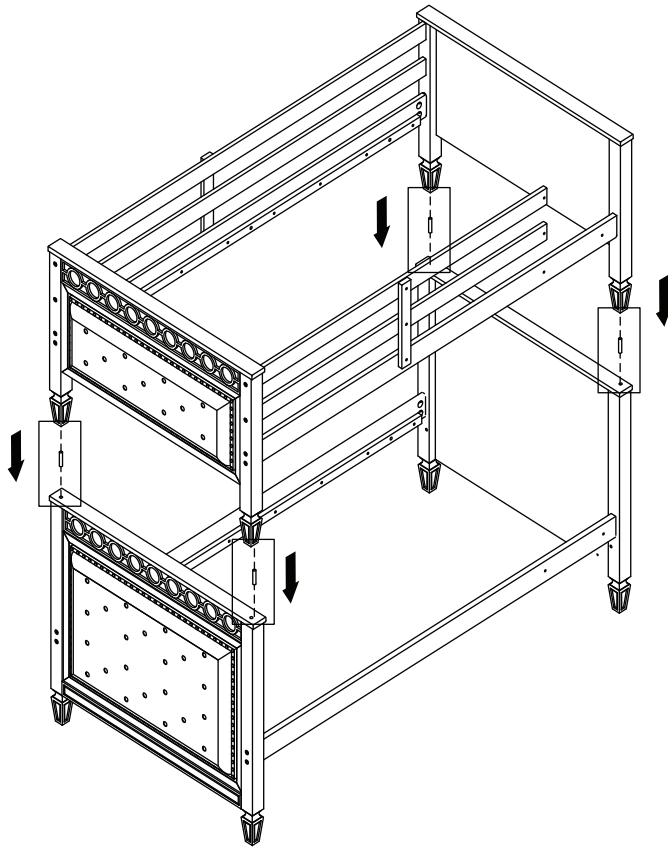
STEP 3: GUARDRAIL SUPPORTS ASSEMBLY



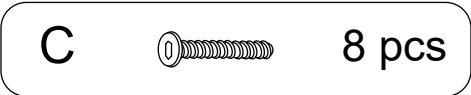
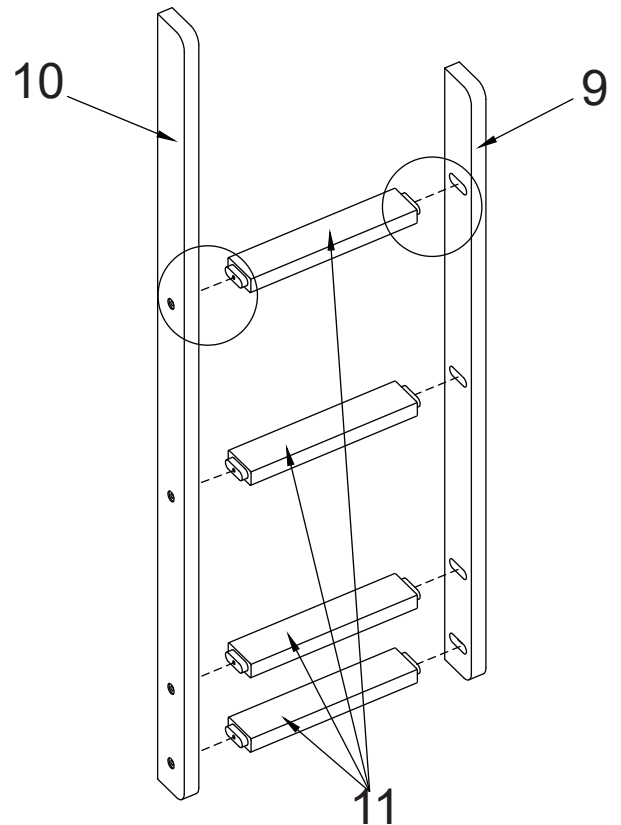
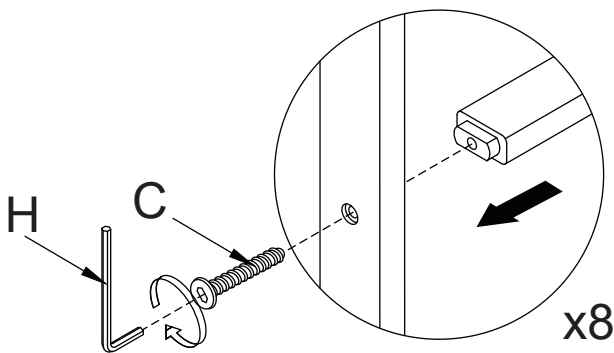
STEP 4: LOWER HEADBOARD ASSEMBLY



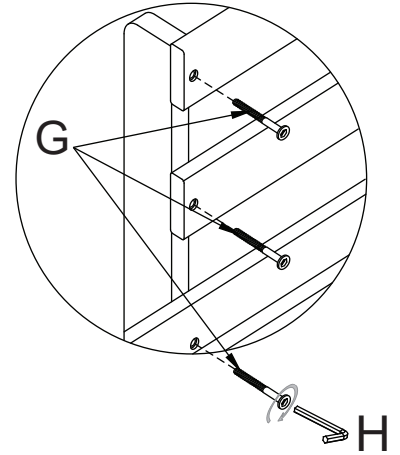
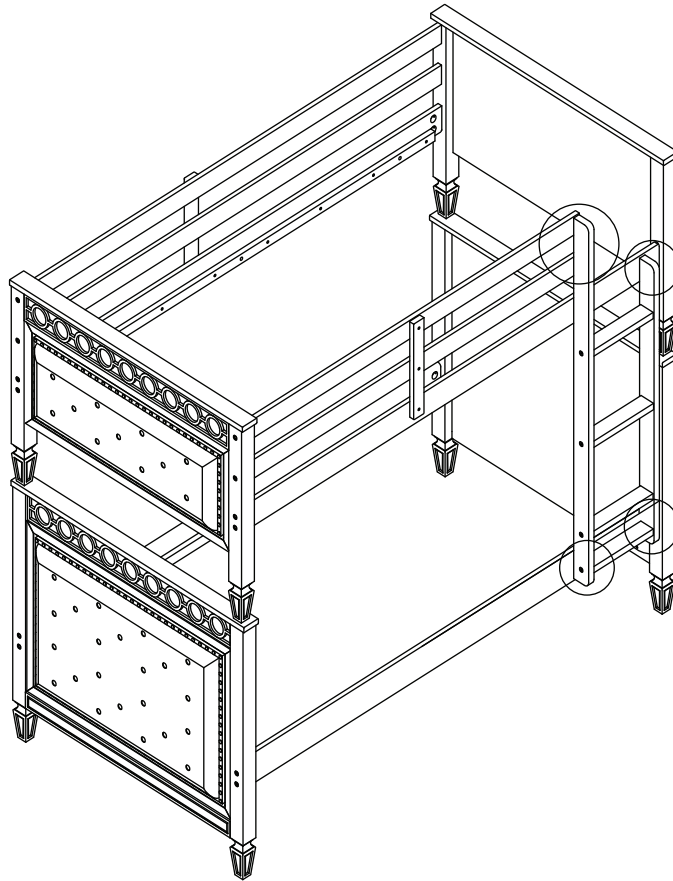
STEP 5: UPPER / LOWER BED ASSEMBLY



STEP 6: LADDER ASSEMBLY

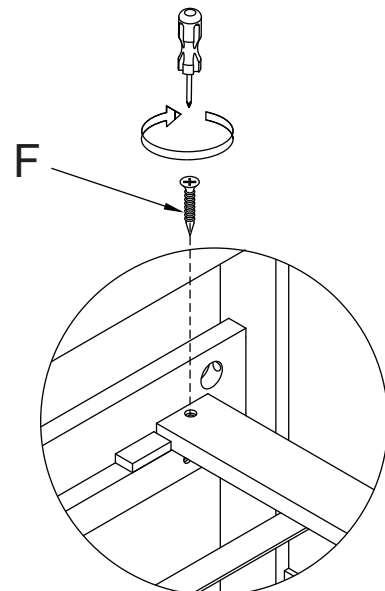
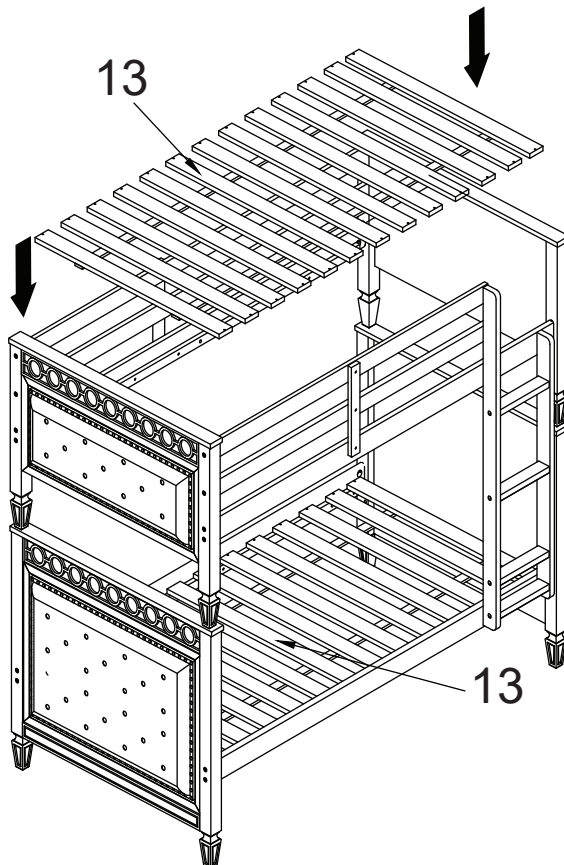


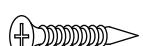
STEP 7: LADDER ASSEMBLY



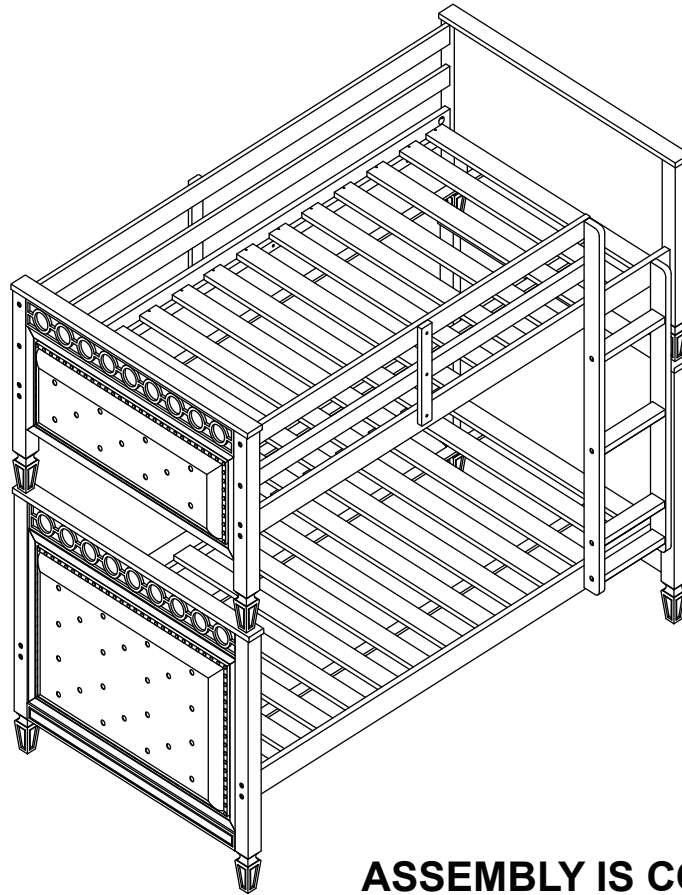
G  6 pcs

STEP 8: COMPLETED TWIN SLATS ASSEMBLY



F  56 pcs

STEP 9:



ASSEMBLY IS COMPLETED

WARNING !!!

To help prevent serious or fatal injuries from entrapment or falls:

1. Follow the information on the warning label appearing on the upper bunk end structure and on the carton. Do not remove warning label from bed.
2. Use only mattress which is 39" WIDE AND 75" LONG ON UPPER BUNK.
3. Ensure thickness of upper mattress does not exceed 6" and top surface of mattress is at least 5" below the upper edge of guardrails.
4. Do not allow children under 6 years to use the upper bunk.
5. Periodically check and ensure that the guardrail, ladder, and other components are in their proper position, free from damage, and that all connectors are tight.
6. Do not allow horseplay on or under the bed and prohibit jumping on the bed.
7. Always use ladder for entering and leaving upper bunk.
8. Do not use substitute parts. Contact the manufacturer or dealer for replacement parts.
9. Use of a night-light may provide added safety precaution for a child using the upper bunk.
10. Always use guardrails on both long sides of the upper bunk. If the bunk bed will be placed next to a wall, the guardrail that runs the full length of the bed should be placed against the wall to prevent entrapment between the bed and the wall.
11. The use of water or sleep flotation mattresses is prohibited.

STRANGULATION HAZARD:

12. Never attach or hang items to any part of the bunk bed that are not designed for use with the bed, for example, but not limited to, hooks, belts and jump ropes.
13. Prohibit more than one person on upper bunk.
14. Maximum total weight not to exceed-150 lbs on the upper bunk, and maximum 200 lbs on lower bunk.
15. Keep these instructions for future reference.