

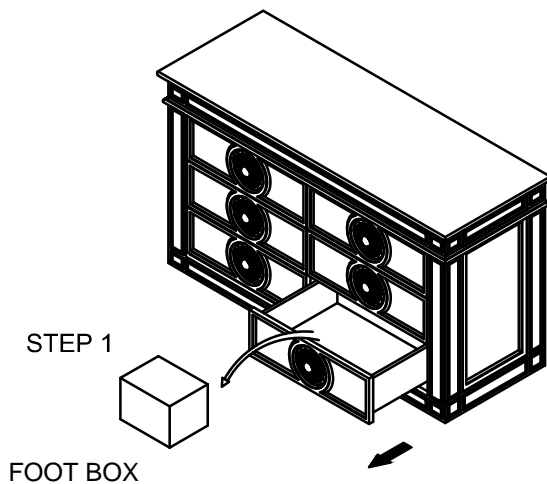


ASSEMBLY INSTRUCTIONS

Item No: #66159

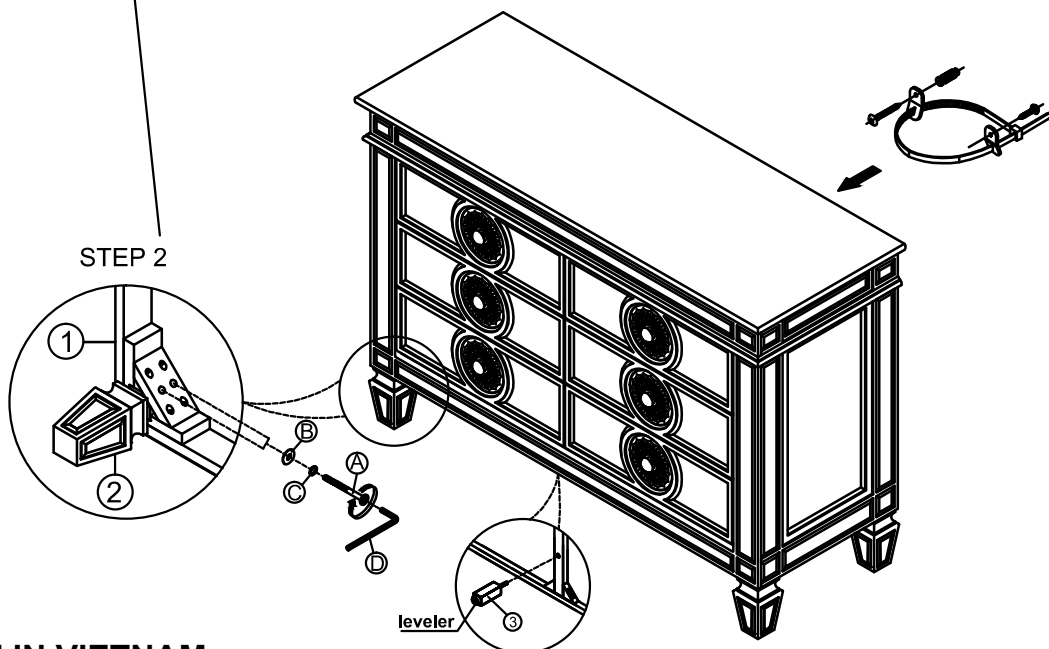
*** Thank you for purchasing this quality product. Be sure to check all packing materials carefully for small parts which may have come loose inside the carton during shipment. Identify and count all parts and compare with parts list below.

*** Assemble product on a flat, soft surface such as a carpet or cloth to prevent scratching the finish. Read all instruction and study the drawings carefully before starting the assembly process.



COMPONENT LIST		
ITEM	DESCRIPTION	Q'Ty
1	Small Server	1 PC
2	Foot	4 PCS
3	Leg Support	1 PC

HARDWARE LIST		
ITEM	DESCRIPTION	Q'Ty
A	Bolt: Ø5/16" * 50mm	8 PCS
B	Flat Washer: Ø5/16**19*2mm	8 PCS
C	Lock washer: Ø5/16**11*2mm	8 PCS
D	Allen Wrench (M4)	1 PC



MADE IN VIETNAM