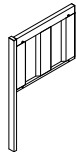
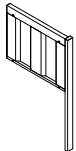



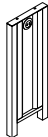

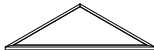
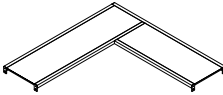


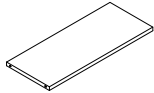
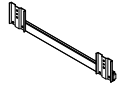
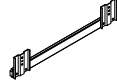

ASSEMBLY INSTRUCTION FOR ACME FURNITURE

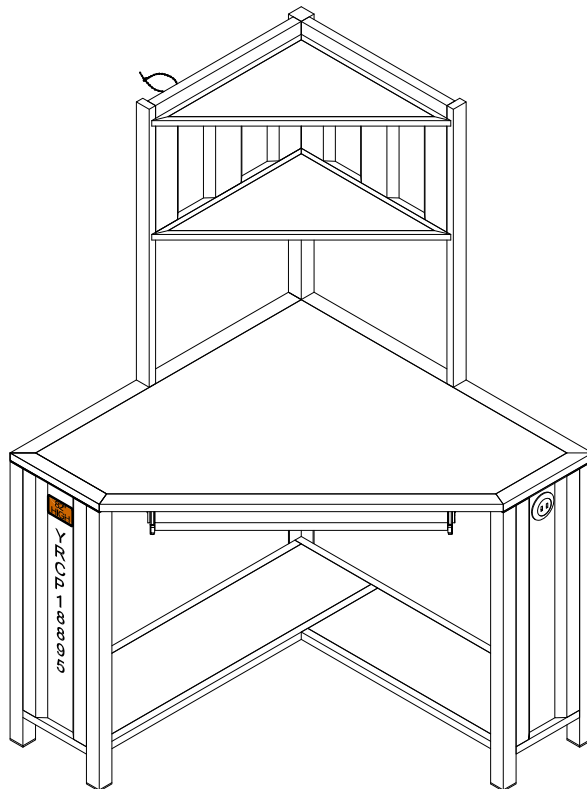
MODEL# 92625 Computer desk with USB






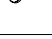
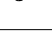
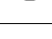
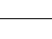

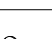




Thank you for purchasing this quality product. Be sure to check all packing materials carefully for small parts which may have come loose inside the carton during shipment. Separate, identify, and count all parts and metal hardware. Compare with parts list to be sure all parts are present. If any part(s) are missing or damaged, please contact your local furniture dealer. For efficient and speedy service, please indicate the model number and code letter of the part(s) needed.

***** Do not fully tighten screws until fully assembled *****

COMPONENT PARTS		
DECERPTION	PART NAME	Q'TY(PCS)
①	Up side frame -left 	1pc
②	Up side frame -right 	1pc
③	Conner tube-Up 	1pc
④	Desk top 	1pc
⑤	Side frame -left 	1pc
⑥	Side frame -right 	1pc
⑦	Conner tube-Down 	1pc
⑧	Layer frame 	2pcs
⑨	Bottom Shelf 	1pc

⑩	Keyboard board 	1pc
⑪	Left slide 	1pc
⑫	Right slide 	1pc
⑬	Plate 	4pcs



HARDWARE REQUIRED:	
(A) 	Bolt 1/4"x5/16" - 4pcs
(B) 	Bolt 1/4"x5/8" - 9pcs
(C) 	Bolt 1/4"x1-3/8" - 4pcs
(D) 	Bolt 1/4"x1-5/8" - 8pcs
(E) 	Bolt 5/16"x1-3/4" - 1pc
(F) 	M4x8 - 8pcs
(G) 	Bolt 3/16"x5/16" - 4pcs
(H) 	Washer - 4pcs
(I) 	Nut M4 - 4pcs
(J) 	Allen Wrench M4 - 1pc
(K) 	Allen Wrench M5 - 1pc
(L) 	Screw M4 - 1pc
(M) 	Metal Plate - 2pcs
(N) 	Anchor - 1pc
(O) 	Girding - 1pc

Attention:

***Mattresses not included.

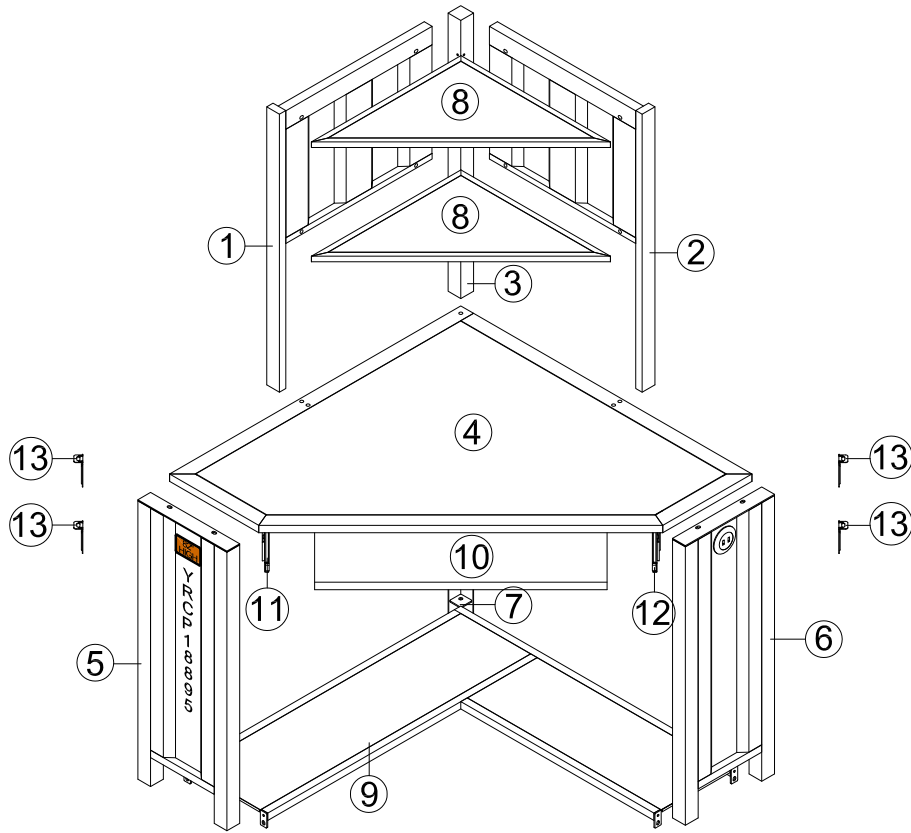
***Some number parts listed on the instruction sheet may not be in parts bag as they may already be assemble.

Carefully check parts and packing materials prior to ordering replacements.

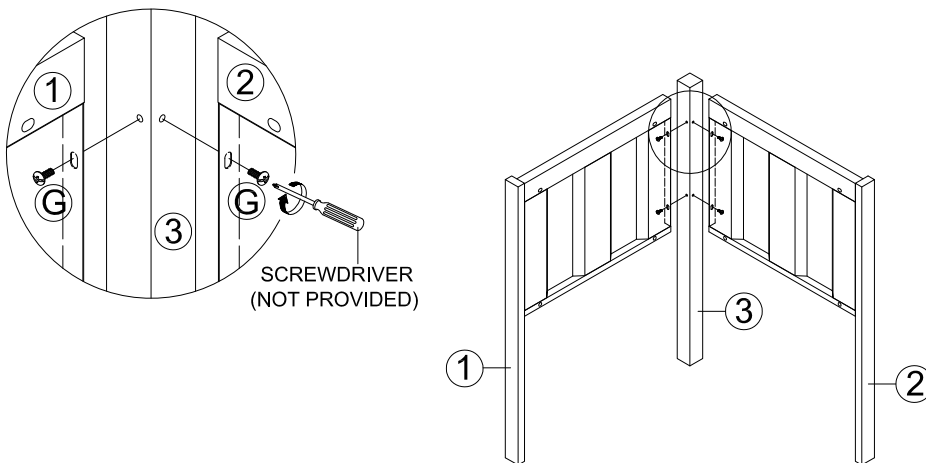
How to Assemble:

STEP 1.

Exploded View



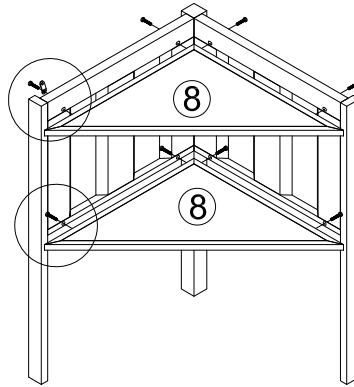
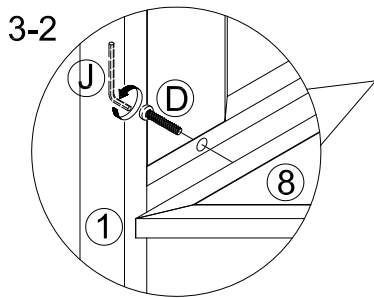
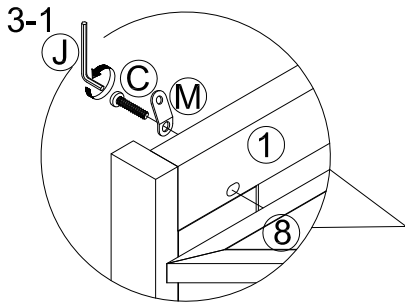
STEP 2.



G  4pcs

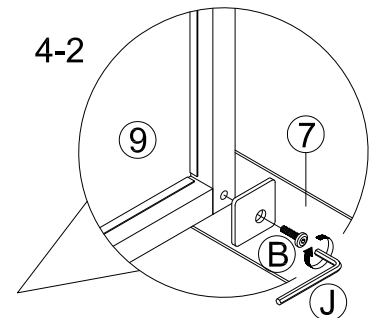
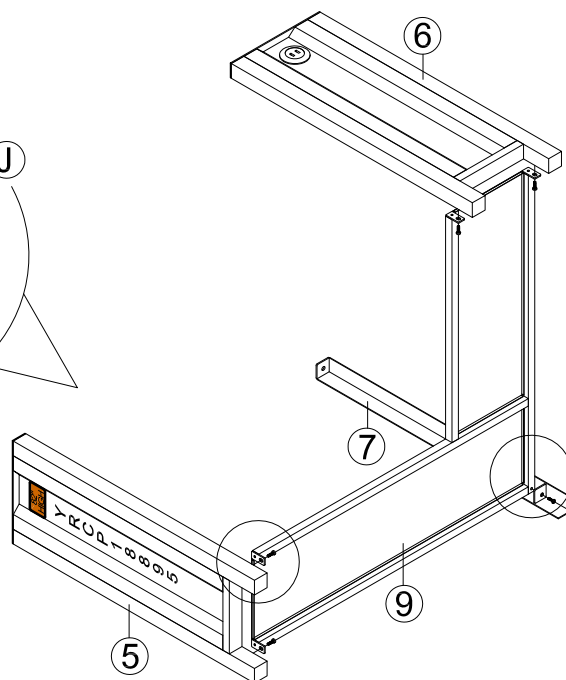
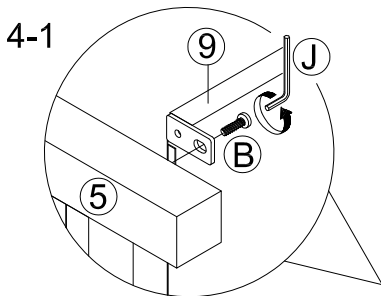
How to Assemble:

STEP 3.



(C)		4pcs
(D)		4pcs
(M)		1pc

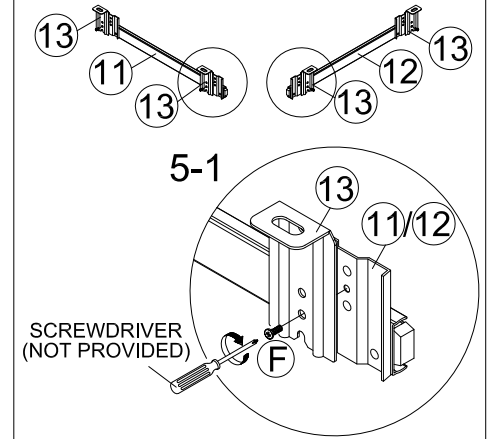
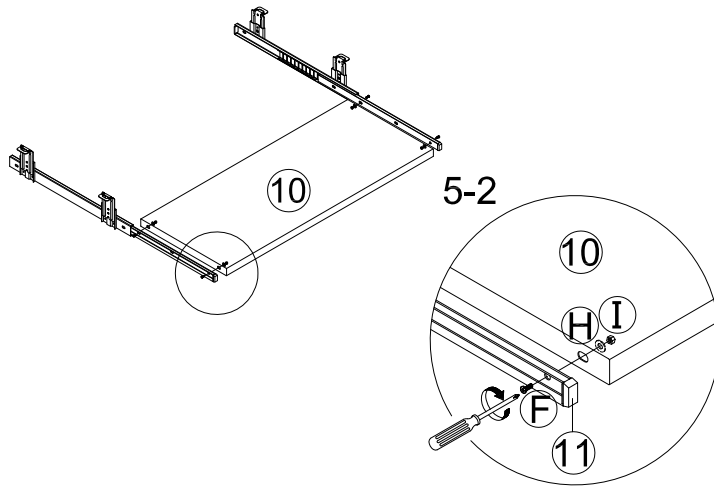
STEP 4.



(B)		5pcs
------------	--	------

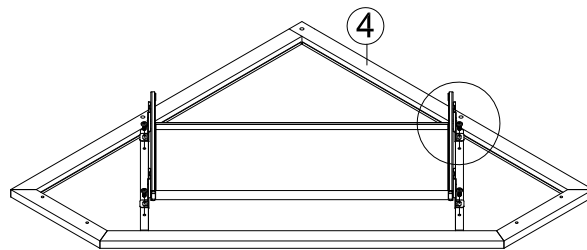
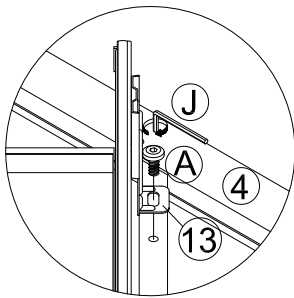
How to Assemble:

STEP 5.



(F)		8pcs
(H)		4pcs
(I)		4pcs

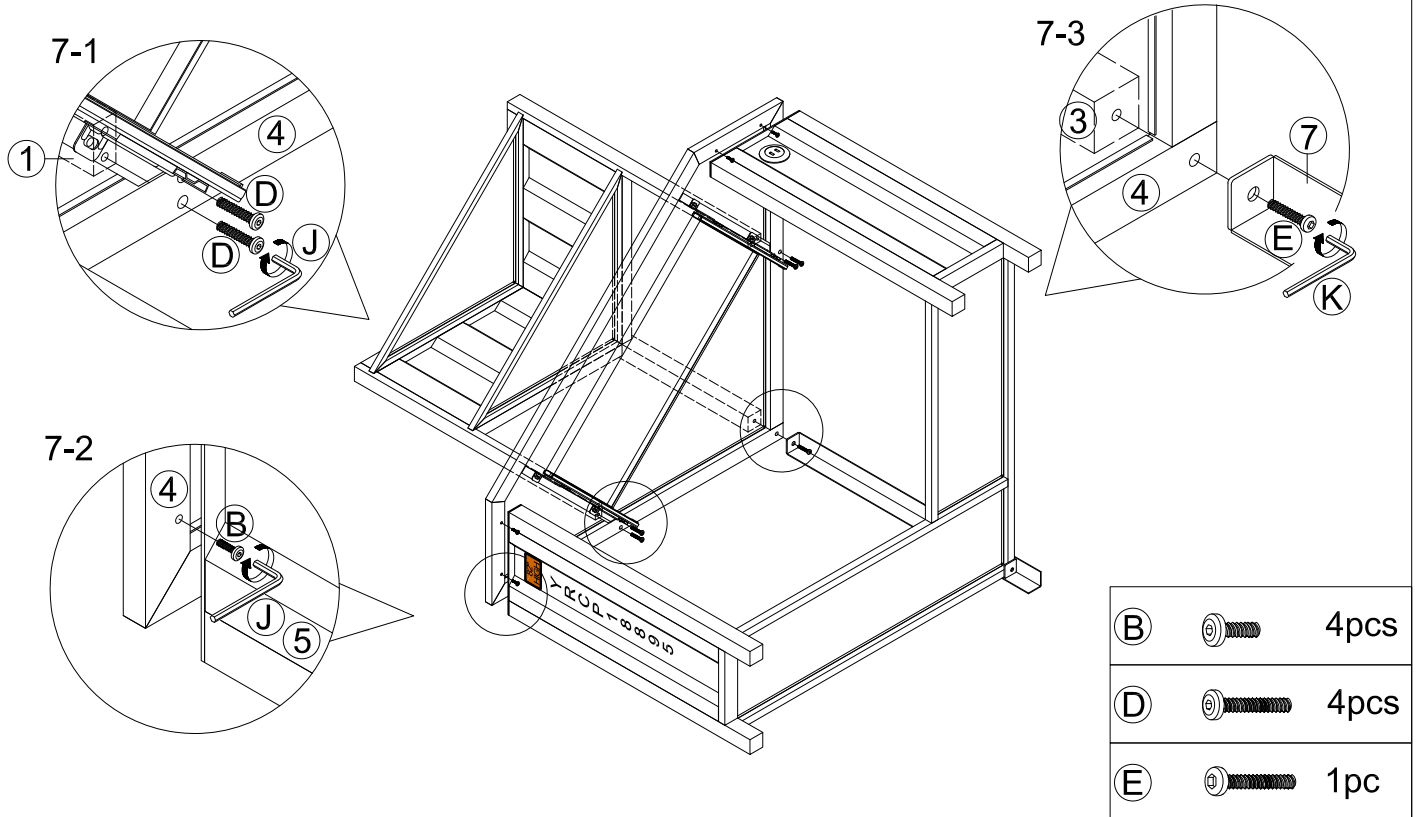
STEP 6.



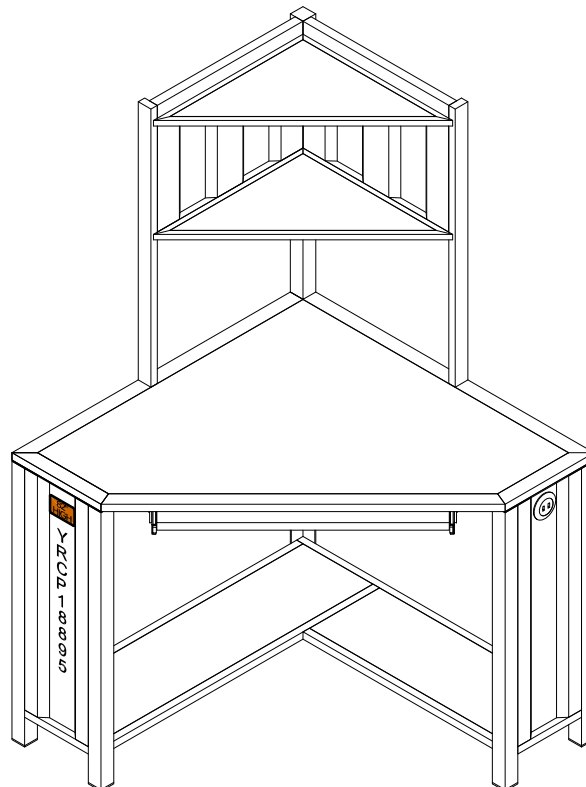
(A)		4pcs
-----	--	------

How to Assemble:

STEP 7.

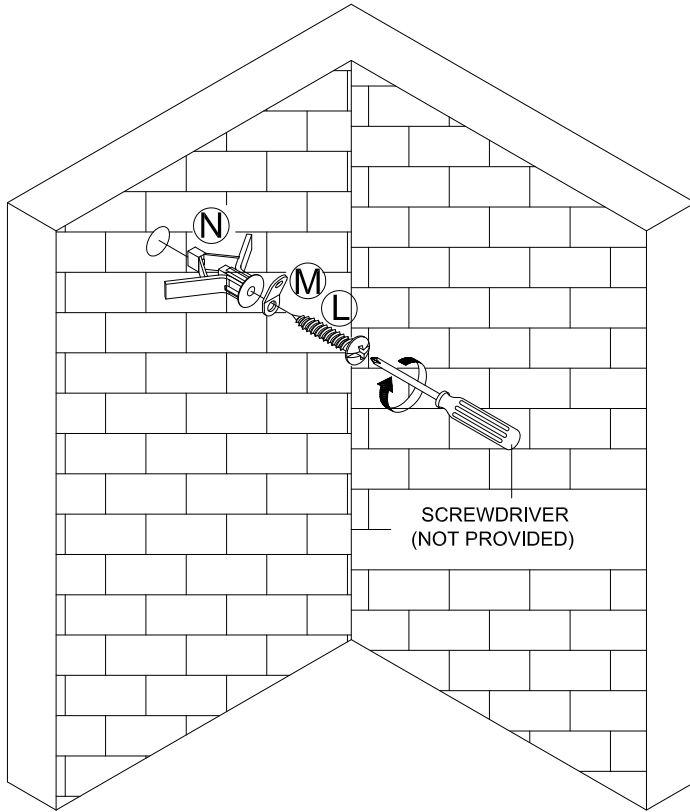




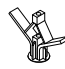
STEP 8.



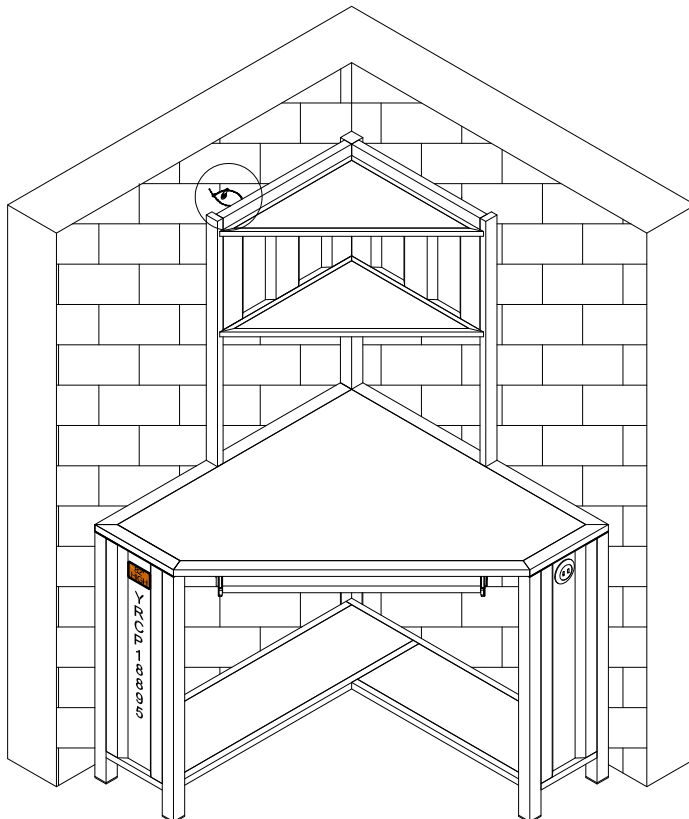
How to Assemble:

STEP 9.

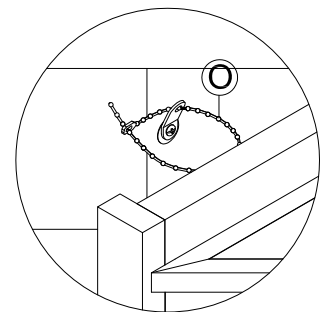


L		1pc
M		1pc
N		1pc

STEP 10.



To Prevent Tip over
Product Must Be
Attached To Wall



O		1pc
---	---	-----