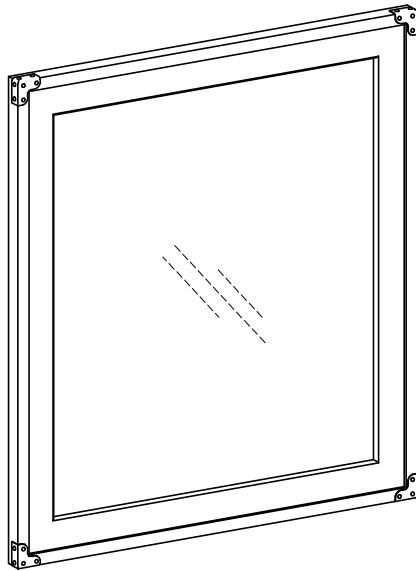




\*\*\* Thank you for purchasing this quality product. Be sure to check all packing materials carefully for small parts which may have come loose inside the carton during shipment. Identify and count all parts and compare with parts list below.

\*\*\* Assemble product on a flat, soft surface such as a carpet or cloth to prevent scratching the finish. Read all instruction and study the drawings carefully before starting the assembly process.





**IMPORTANT:** Do not tighten bolts completely until all bolts are completely lined up and inserted into holes





## PARTS LIST

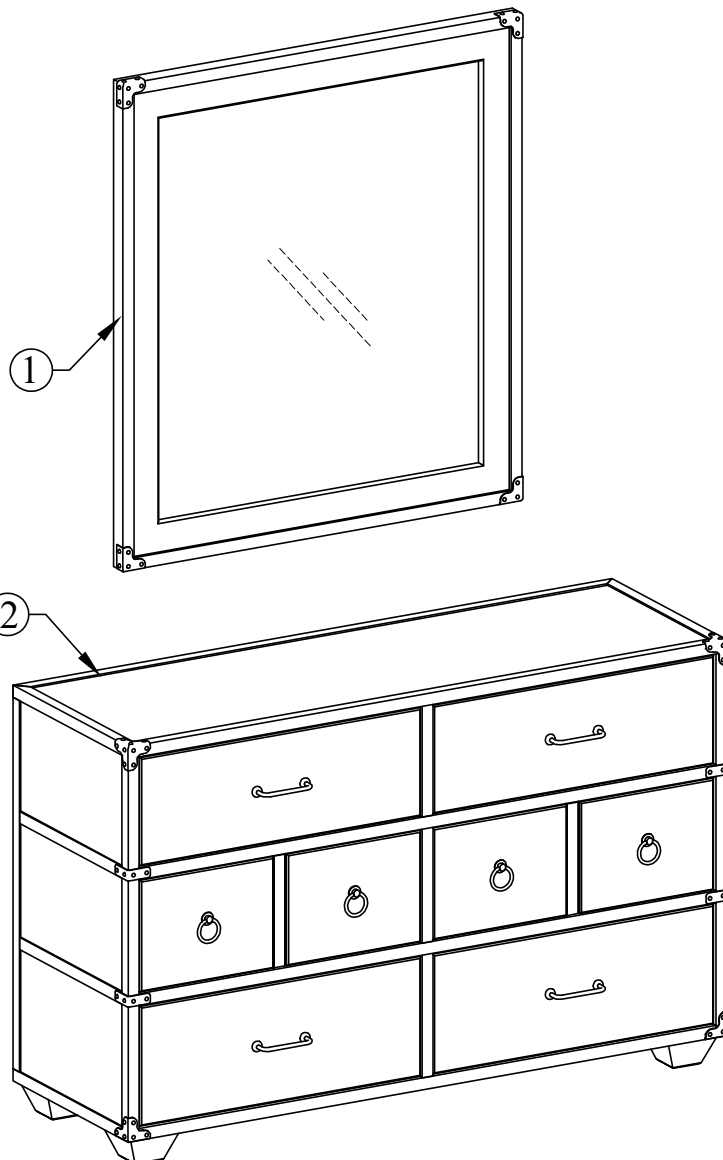
NO.	DIAGRAM	PART NAME	Q'Ty
1		Mirror	1 pc
2		Dresser	1 pc

## HARDWARE LIST

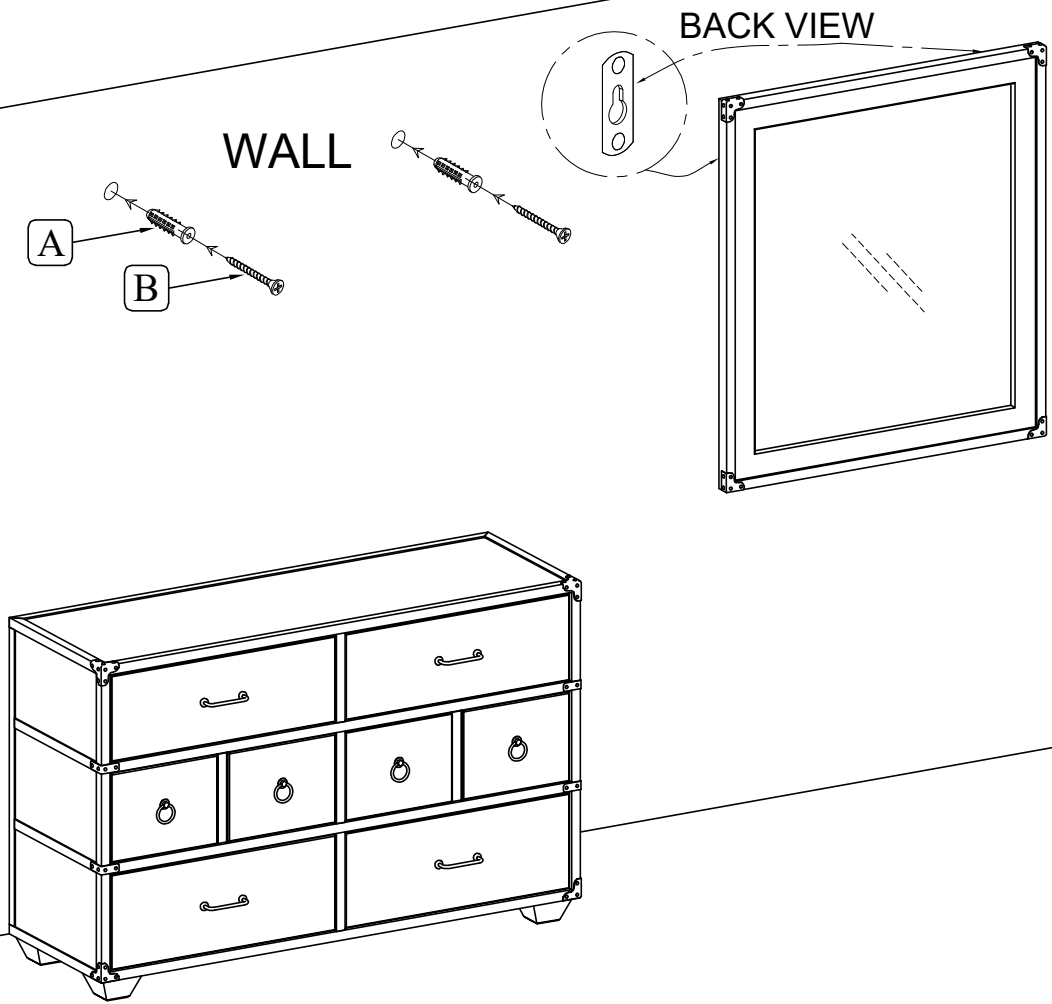
NO.	DIAGRAM	PART NAME	Q'Ty
A		Wall plugs	2 pcs
B		Screws M4 x 40 (mm)	2 pcs

**#36139 & #36140** is packed in 2 cases

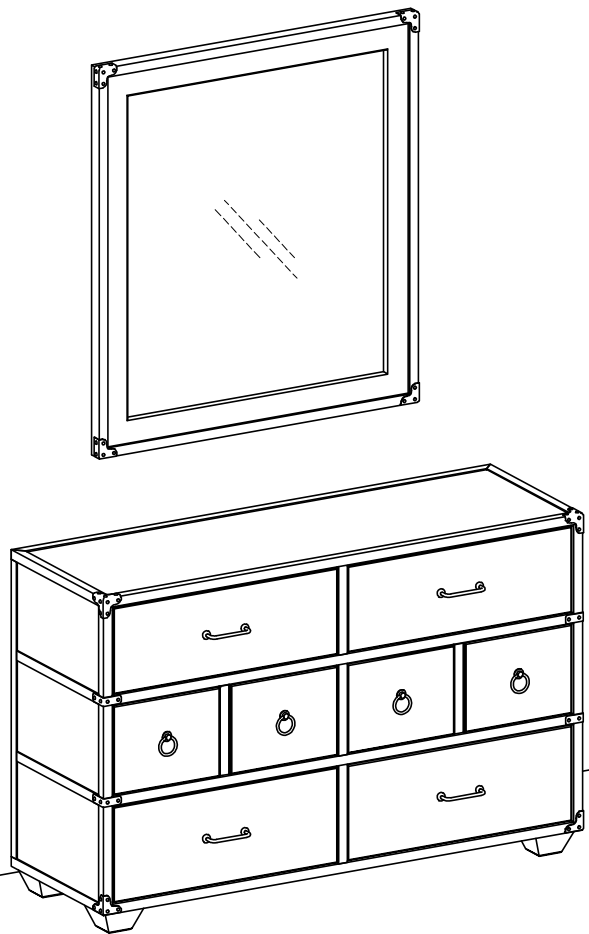
Carton	Disignation	Part	Hardware
<b>Item: #36139</b>	Mirror x 1pc	#1 	 A :Wall plugs x2pcs  B :Screws x 2pcs
<b>Item: #36140</b>	Dresser x 1pc	#2 	



**STEP 1:**



**STEP 2:**



**ASSEMBLY IS COMPLETED**