

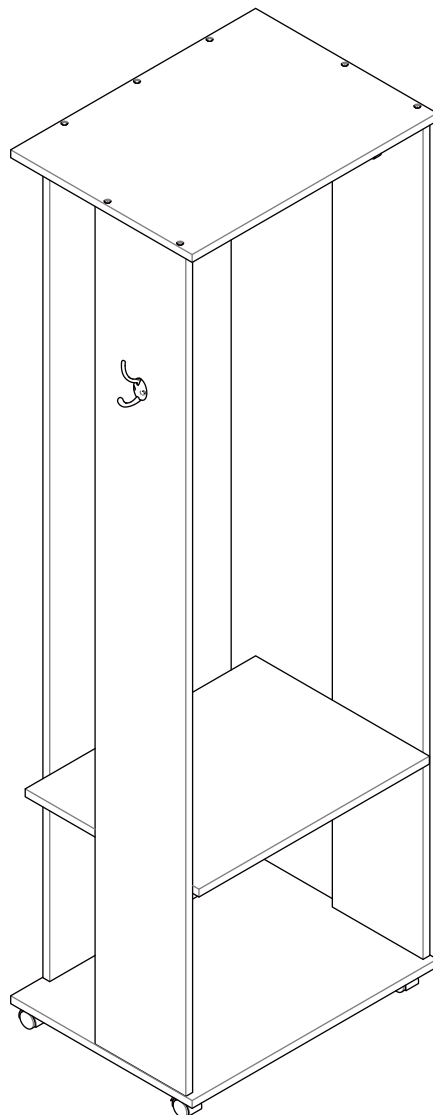
ASSEMBLY INSTRUCTION FOR ACME FURNITURE

MODEL#97793

Thank you for purchasing the quality product. Be sure to check all packing material carefully for small parts which may have come loose inside the carton during shipment. Separate, identify and count all parts and metal hardware. Compare with all parts are present. If any part(s) are missing or damaged, please contact your local furniture dealer. For efficient and speedy service, please indicate the model number and code letter of part(s) needed.

*****Do not fully tighten screws until fully assembled.*****

HALL TREE



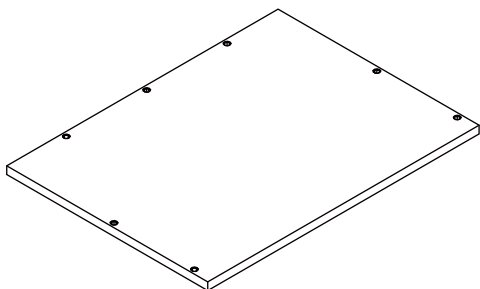
DIMENSIONS

Width - 21.26"
Depth - 15.75"
Height - 65.94"

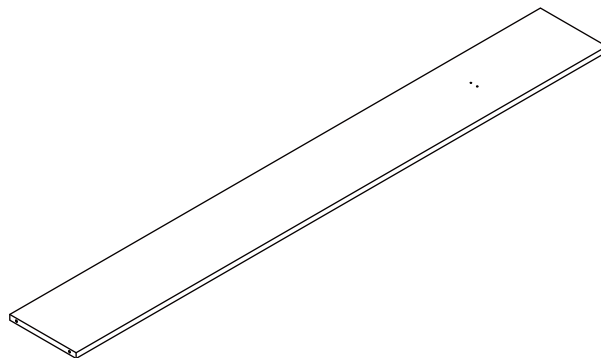
97793

PARTS LIST

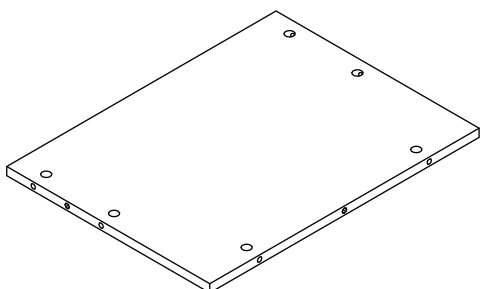
A X1 Top



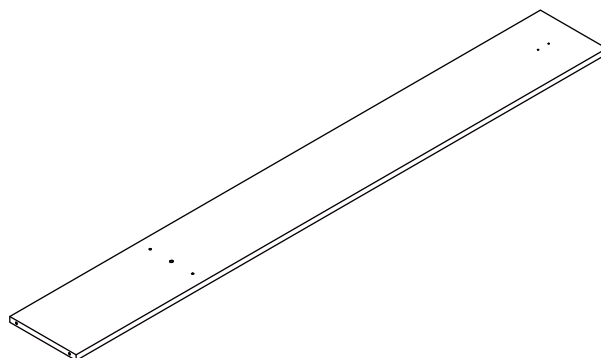
D X1 Left side



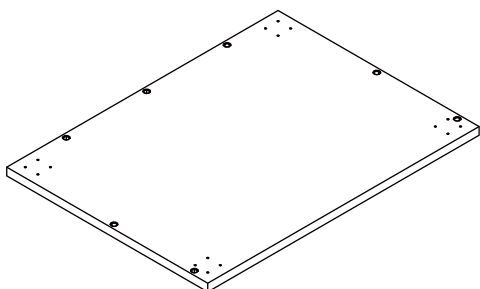
B X1 Middle



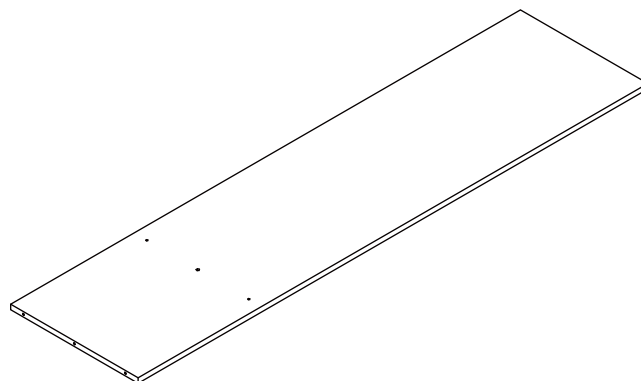
E X1 Right side



C X1 Bottom



F X1 Back (MIRROR)



HARDWARE LIST

① X6 Cam bolt 7*35*12.5mm



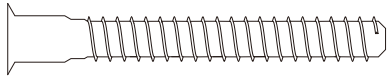
② X6 Cam lock 15*12mm



③ X3 Dowel 8*30mm



④ X14 Coarse screw 7*11*50mm



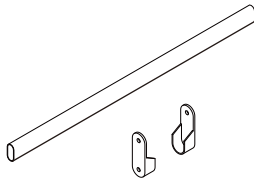
⑤ X1 Hook



⑥ X2 Wood screw 3*12mm



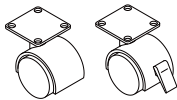
⑦ X1 Coat rod



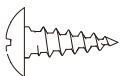
⑧ X4 Wood screw 3*12mm



⑨ X4 Wheel



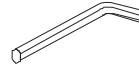
⑩ X16 T-head screw 10*13mm



⑪ X1 Glue



⑫ X1 Allen wrench

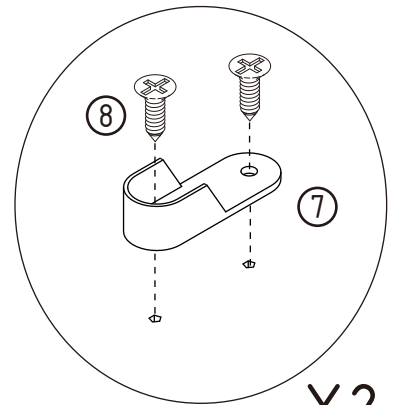
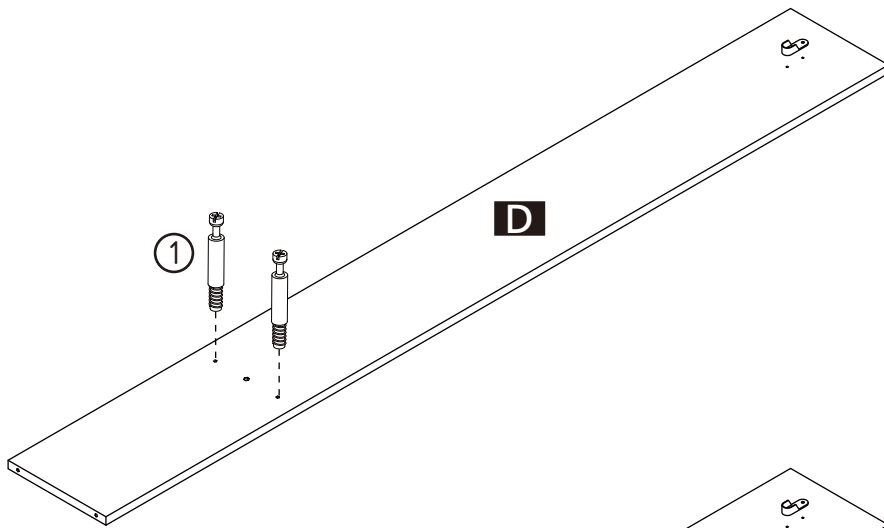
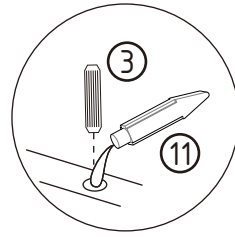
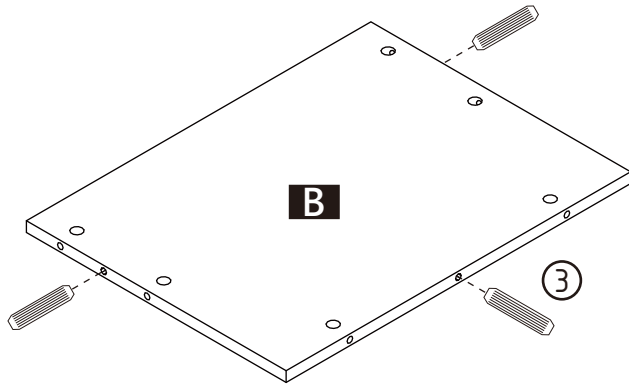


Attention

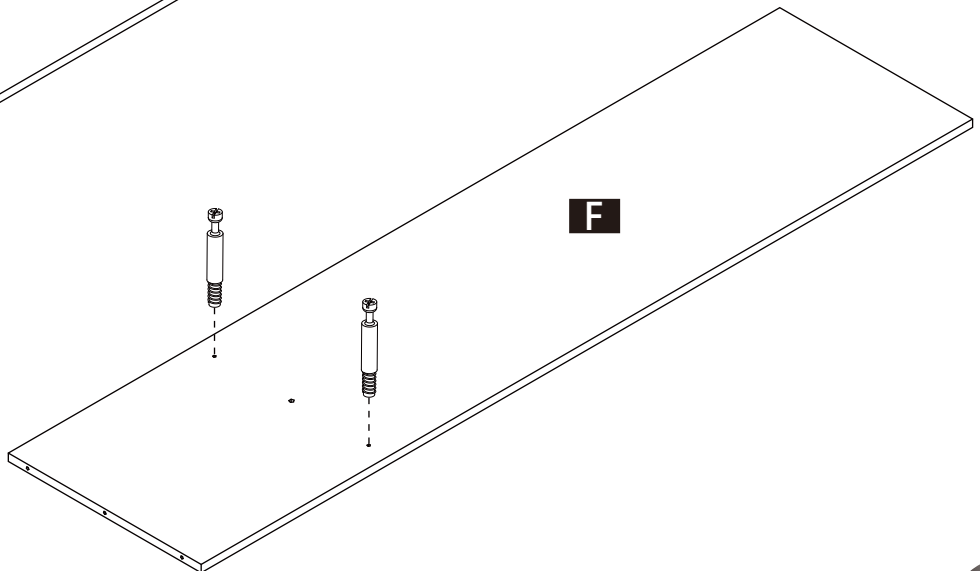
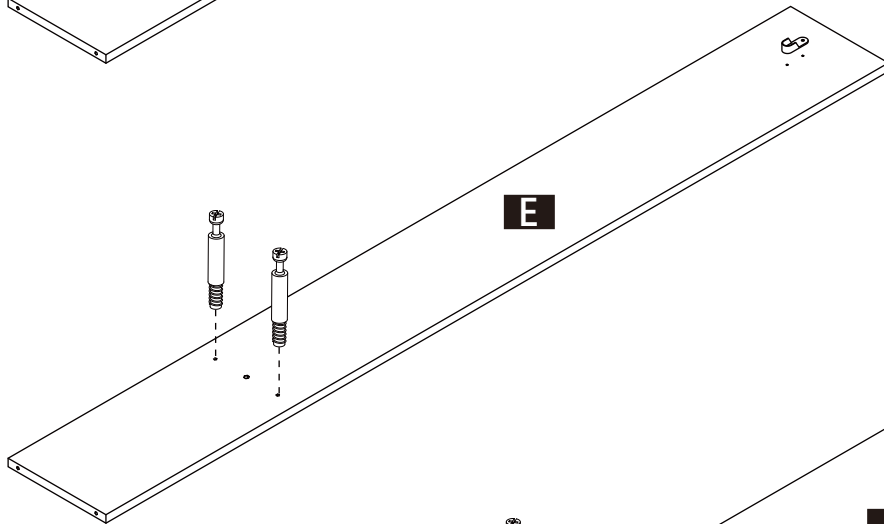
Some number parts listed on the instruction sheet may not be in parts bag as they may already be assembled. Carefully check parts and packing materials prior to ordering replacements.

ASSEMBLY INSTRUCTIONS

Step 1.

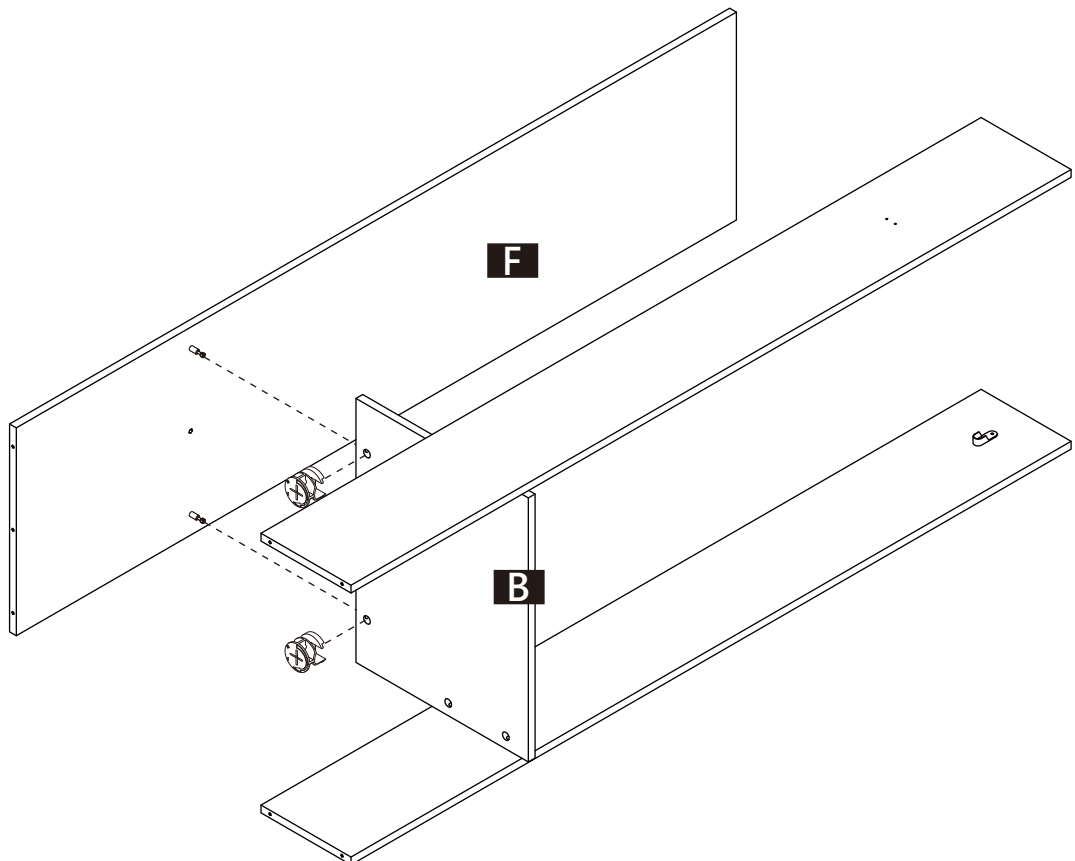
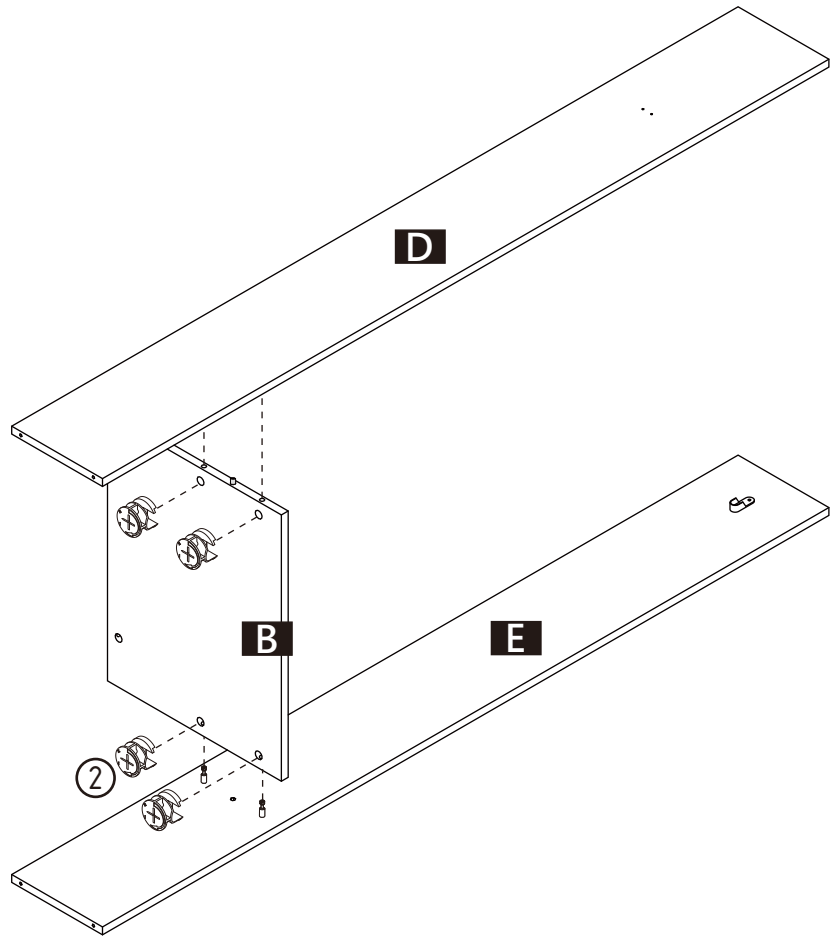
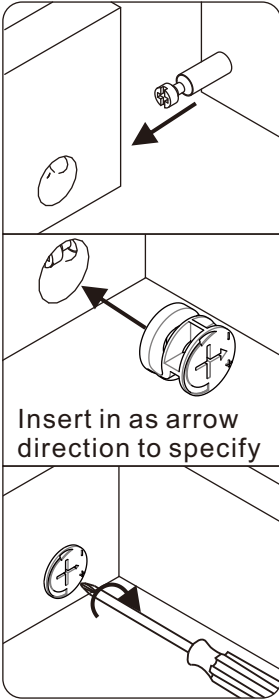


X2



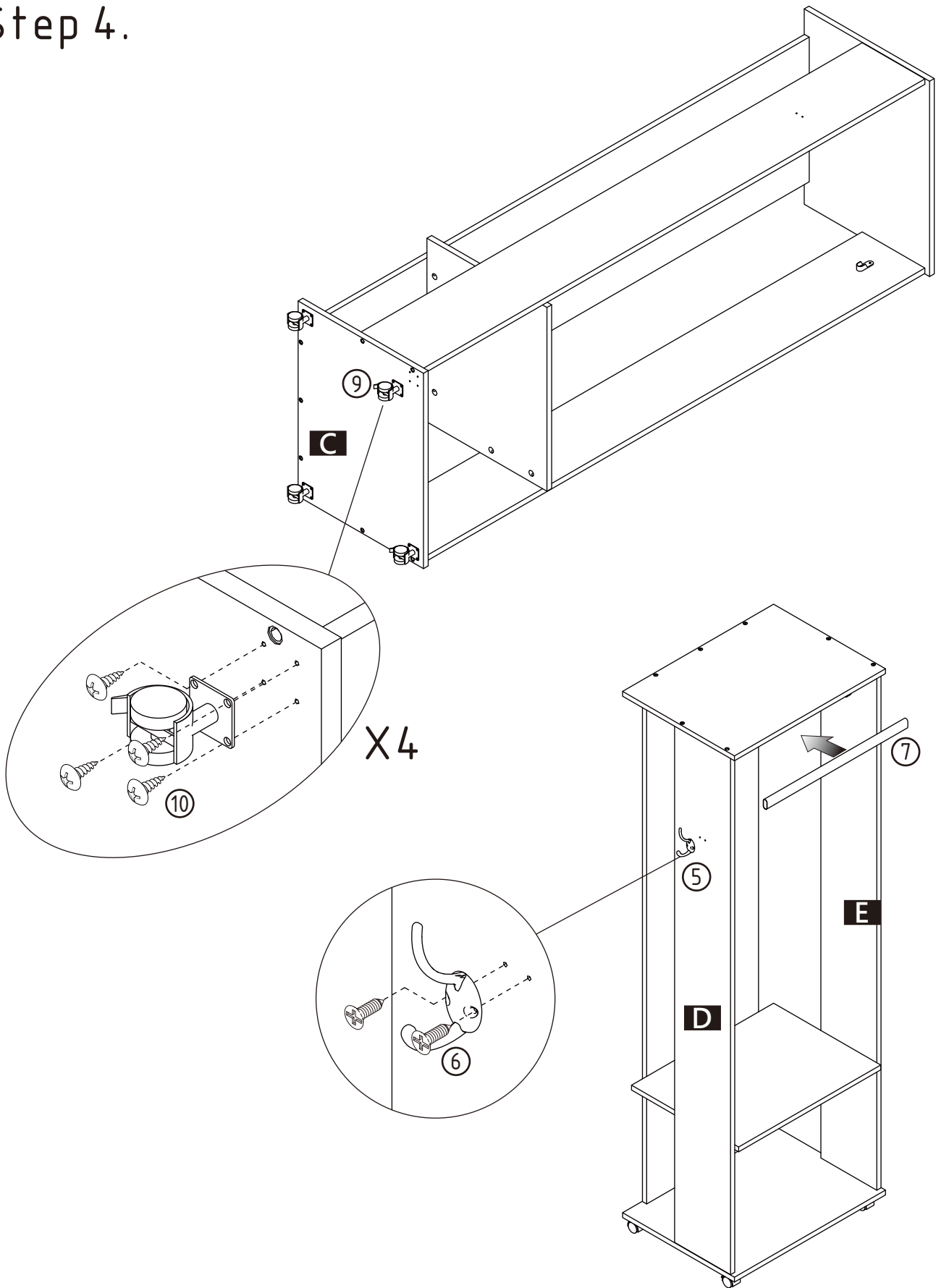
ASSEMBLY INSTRUCTIONS

Step 2.



ASSEMBLY INSTRUCTIONS

Step 4.



ASSEMBLY IS COMPLETED.

Make sure the product is rested on a flat surface and does not feel loose or wobbly. If it does, double check that the bolts/screws are secured and properly tightened.