

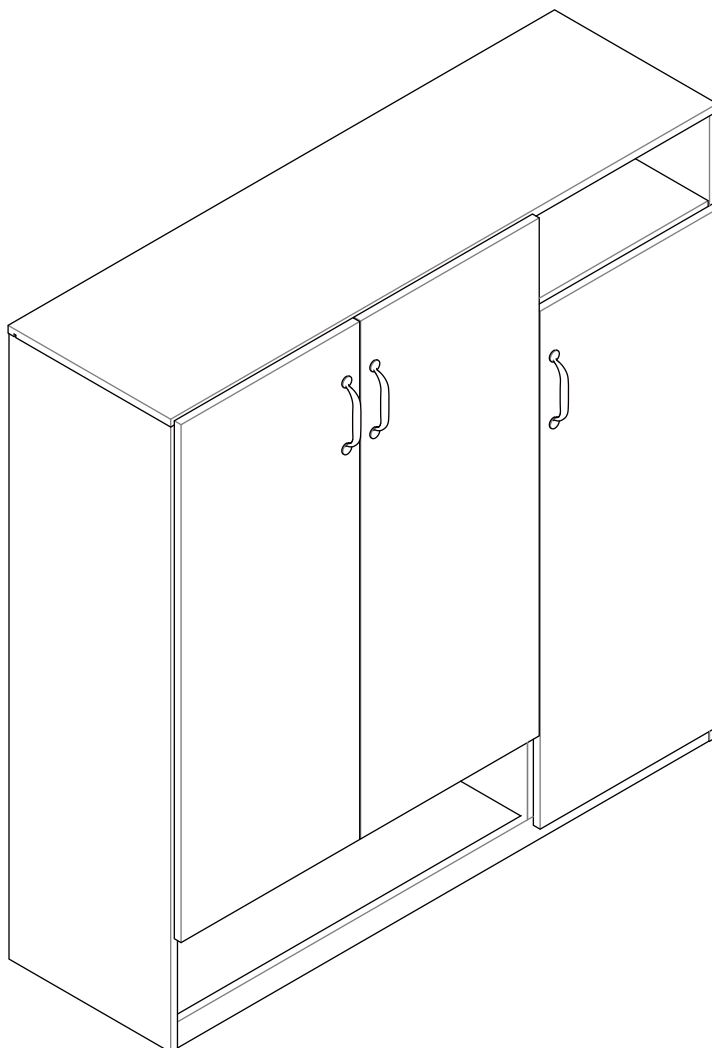
ASSEMBLY INSTRUCTION FOR ACME FURNITURE

MODEL#97781

Thank you for purchasing the quality product. Be sure to check all packing material carefully for small parts which may have come loose inside the carton during shipment. Separate, identify and count all parts and metal hardware. Compare with all parts are present. If any part(s) are missing or damaged, please contact your local furniture dealer. For efficient and speedy service, please indicate the model number and code letter of part(s) needed.

*****Do not fully tighten screws until fully assembled.*****

SHOE CABINET



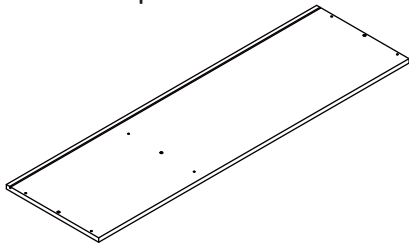
DIMENSIONS

Width - 47.63"
Depth - 15.88"
Height - 47.83"

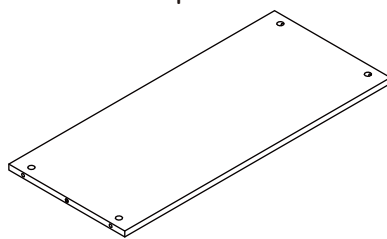
97781

PARTS LIST

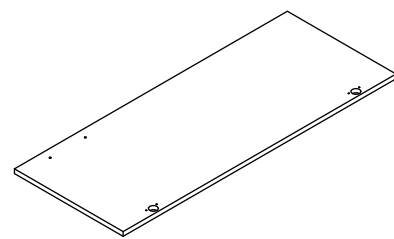
A X1 Top



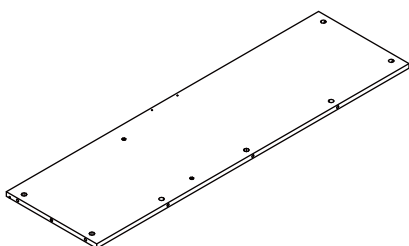
G X1 Left top



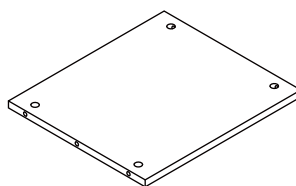
M X1 Middle door



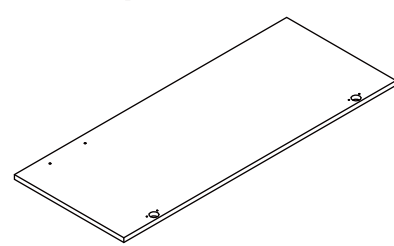
B X1 Bottom



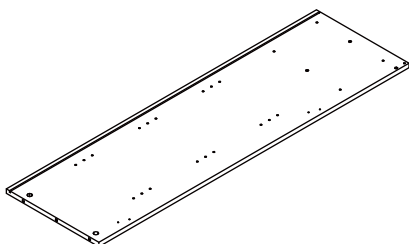
H X1 Right top



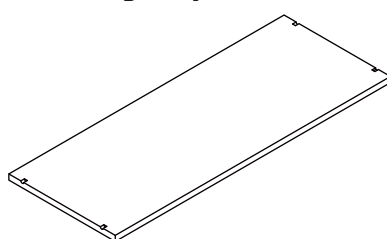
N X1 Right door



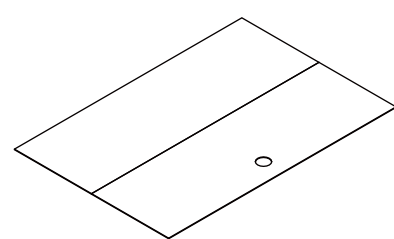
C X1 Left side



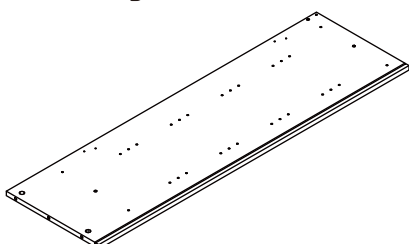
I X1 Large layer



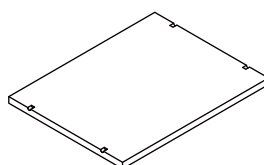
O X1 Left back



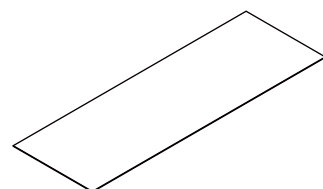
D X1 Right side



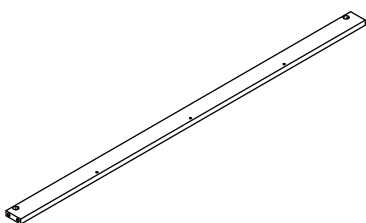
J X1 Small layer



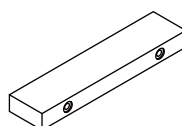
P X1 Right back



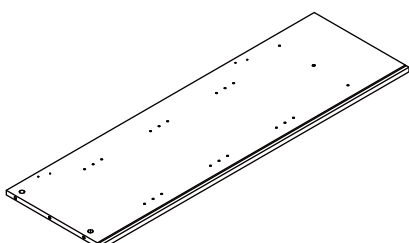
E X1 Front support



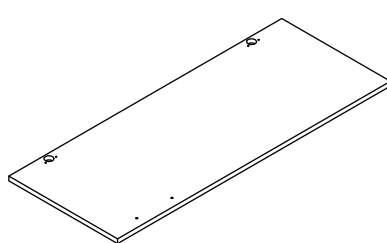
K X1 Back support



F X1 Middle



L X1 Left door



HARDWARE LIST

① X23 Cam bolt 7*35*12.5mm



② X23 Cam lock 15*12mm



③ X11 Dowel 8*30mm



④ X2 Wood screw 8#*1-3/4"



⑤ X2 Coarse screw 7*11*50mm



⑥ X28 Shelf pin 4.9*16mm



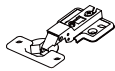
⑦ X3 Handle



⑧ X6 Handle screw 10*9mm



⑨ X6 Hinge ø26mm*3/8



⑩ X24 Hinge screw 6#*1/2"



⑪ X6 Fixative plate



⑫ X6 Wood screw 3*19mm



⑬ X7 Foot nail



⑭ X1 Vent cap 60mm*66mm*3mm



⑮ X1 Glue 6#*1/2"



⑯ X1 Allen wrench

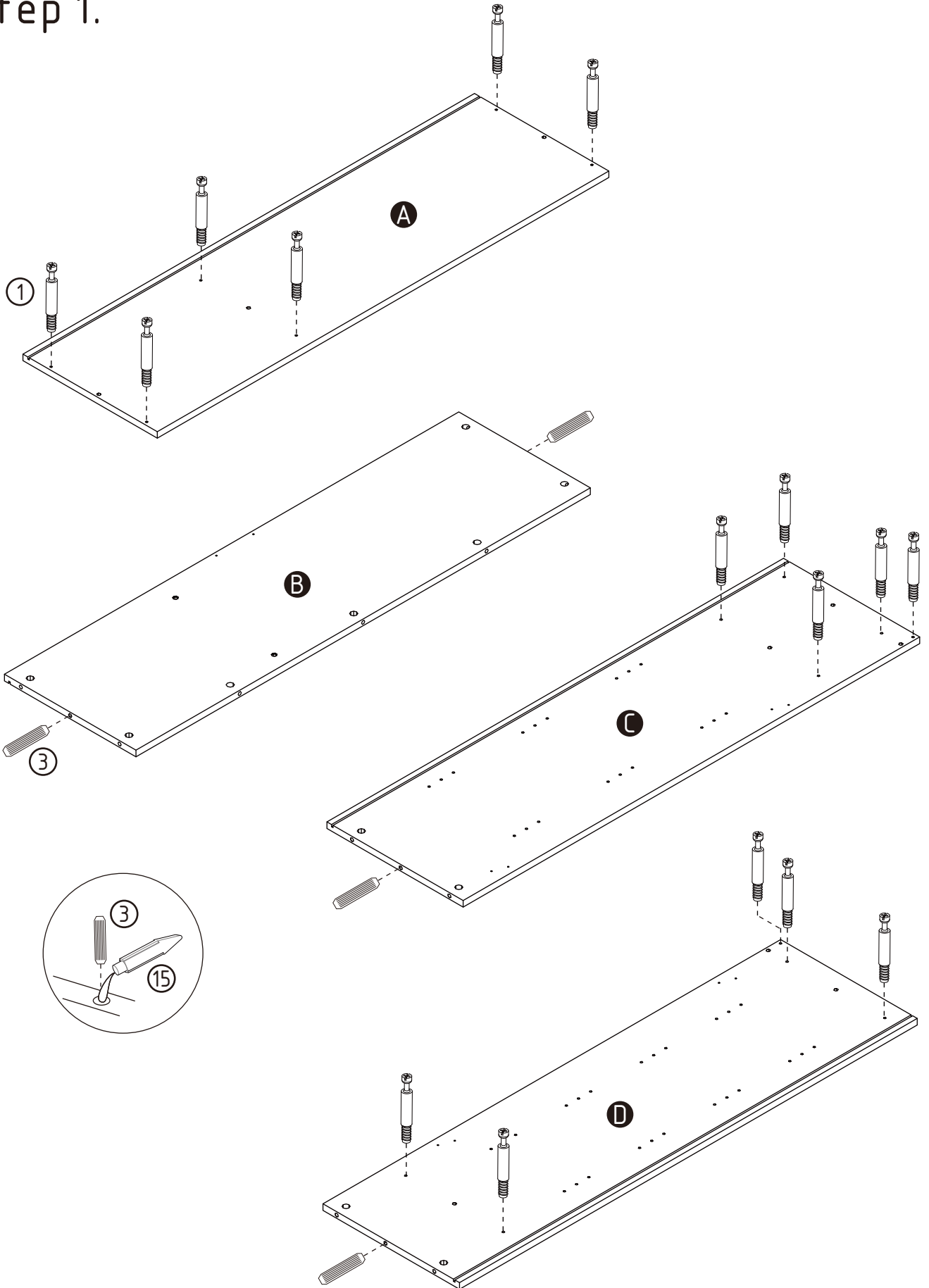


Attention

Some number parts listed on the instruction sheet may not be in parts bag as they may already be assembled. Carefully check parts and packing materials prior to ordering replacements.

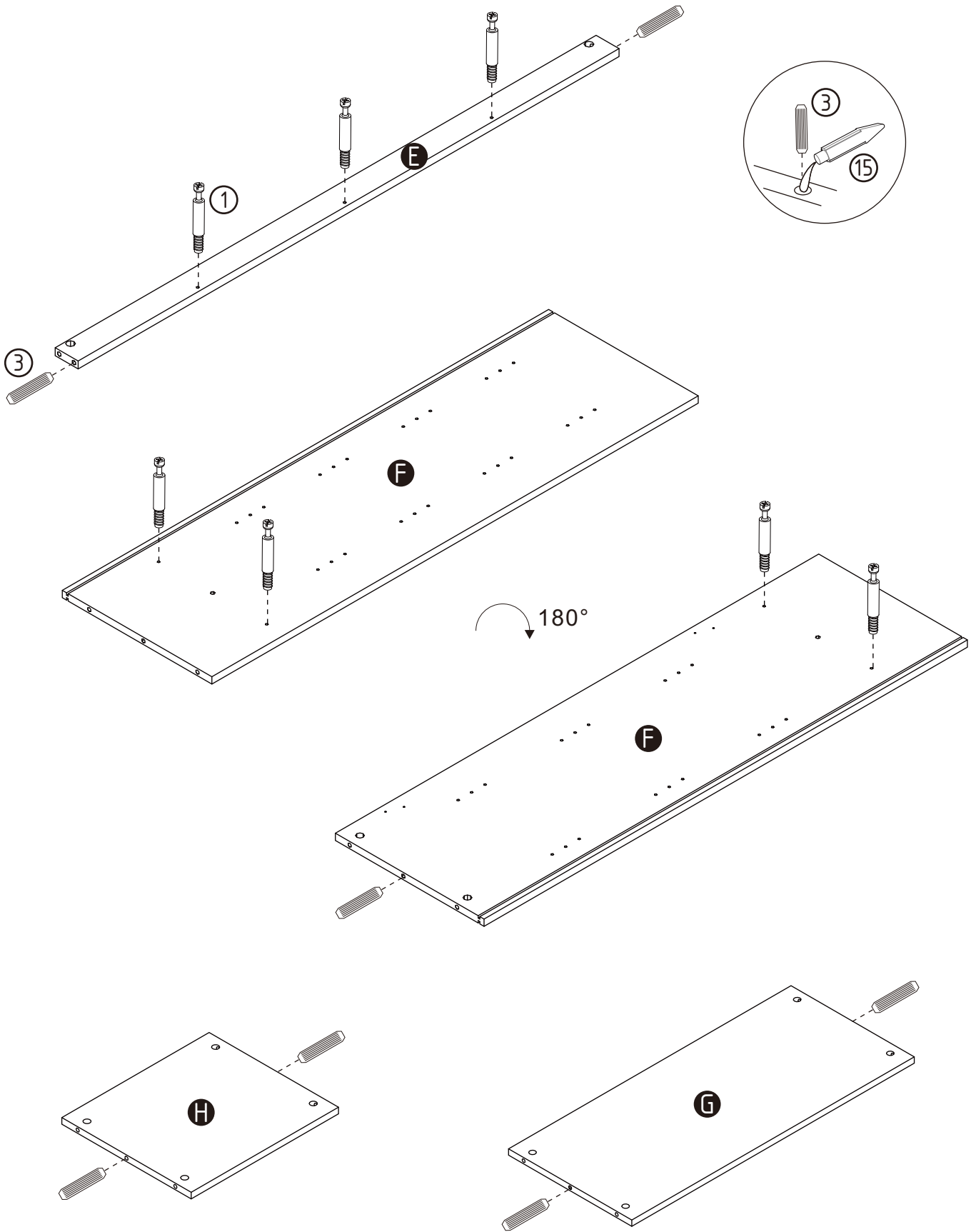
ASSEMBLY INSTRUCTIONS

Step 1.



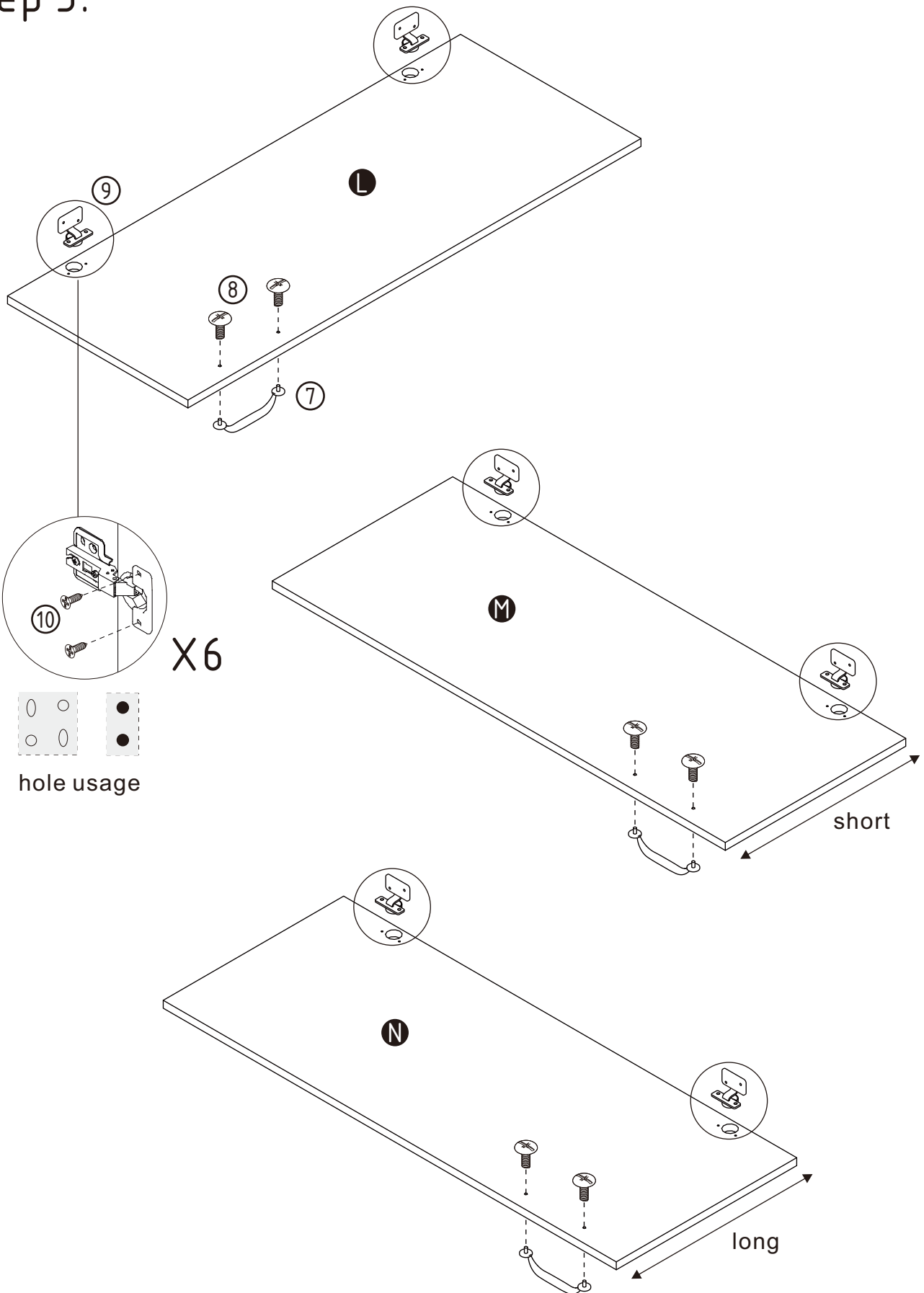
ASSEMBLY INSTRUCTIONS

Step 2.



ASSEMBLY INSTRUCTIONS

Step 3.



hole usage

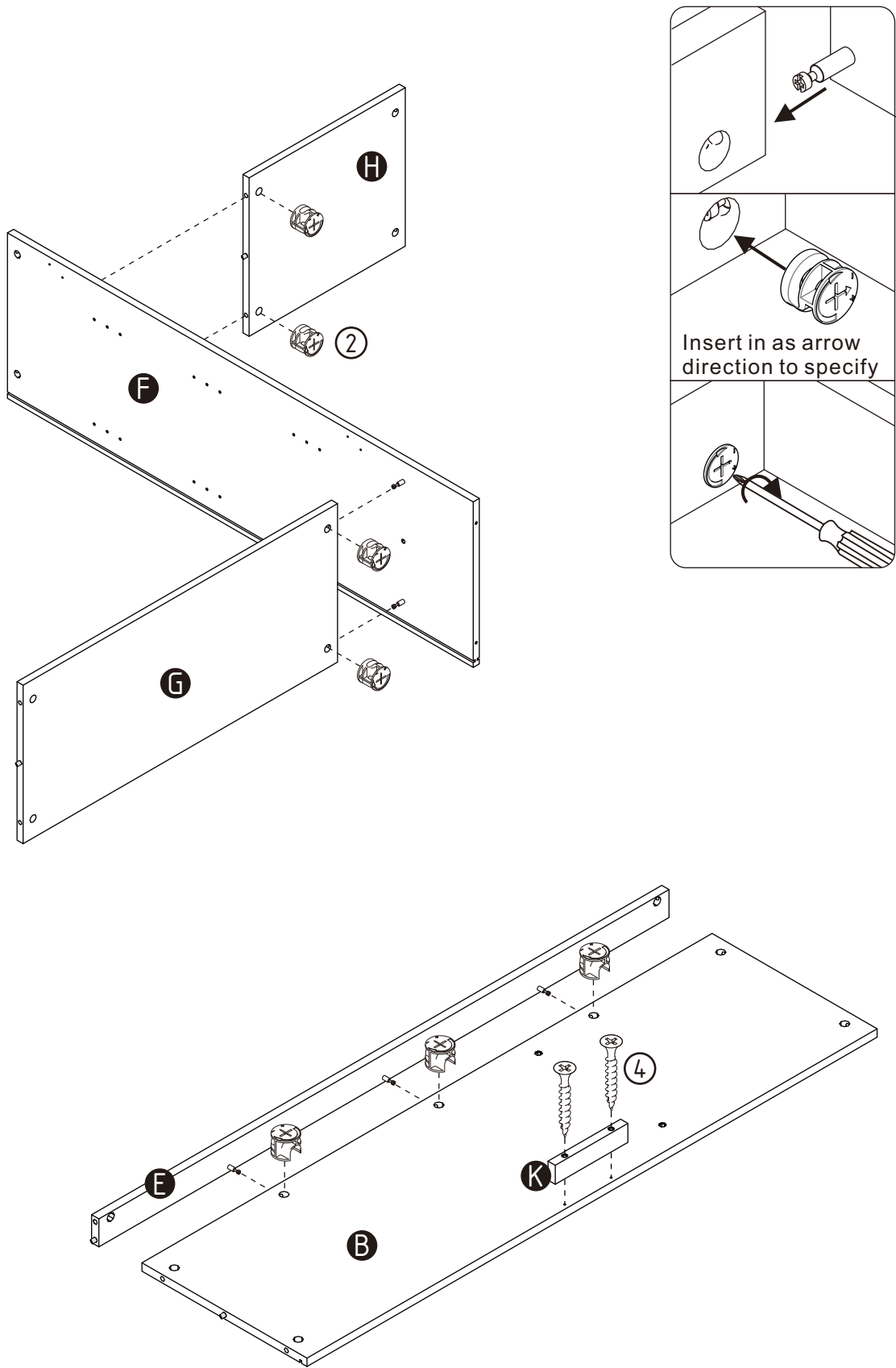
X6

short

long

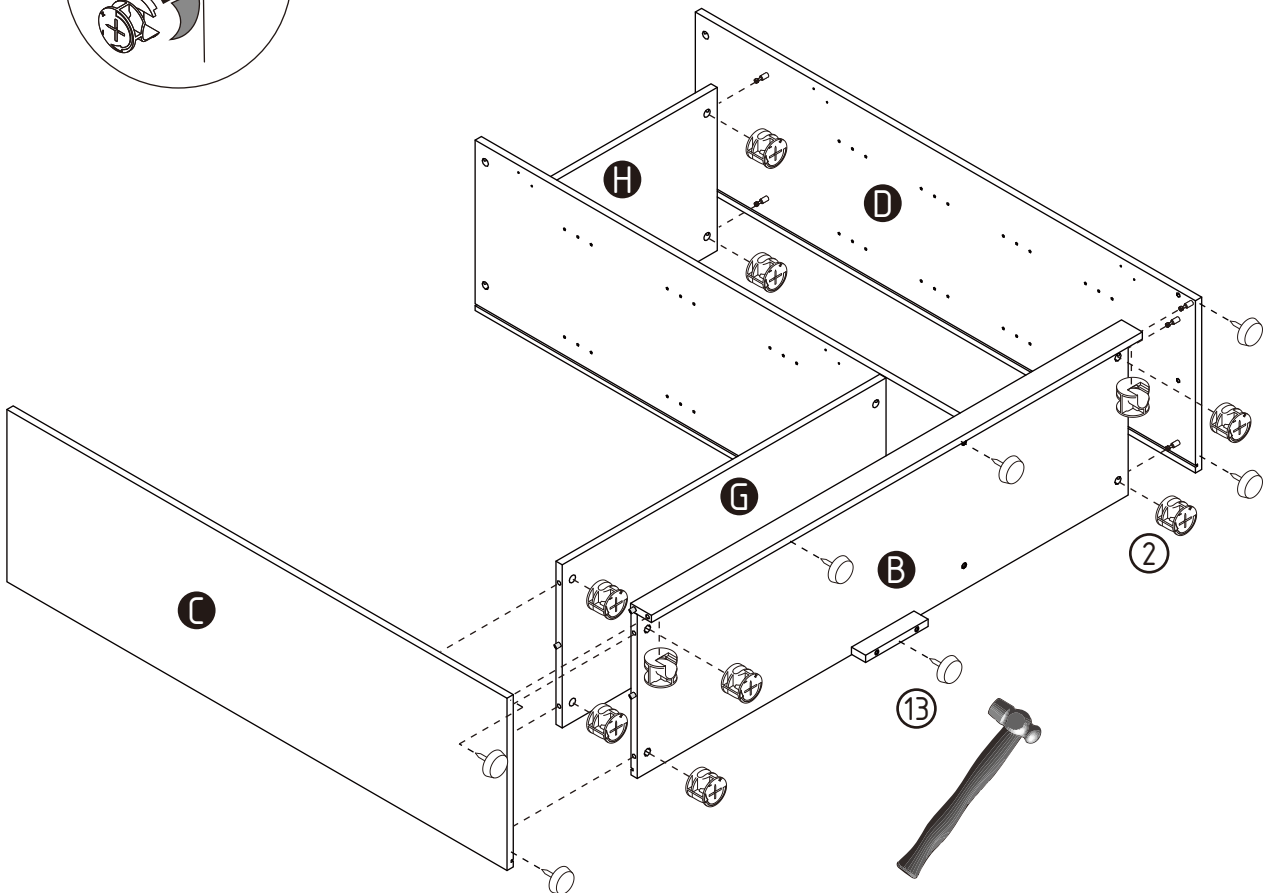
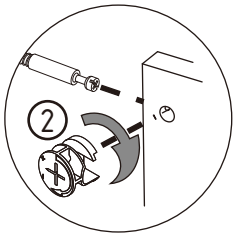
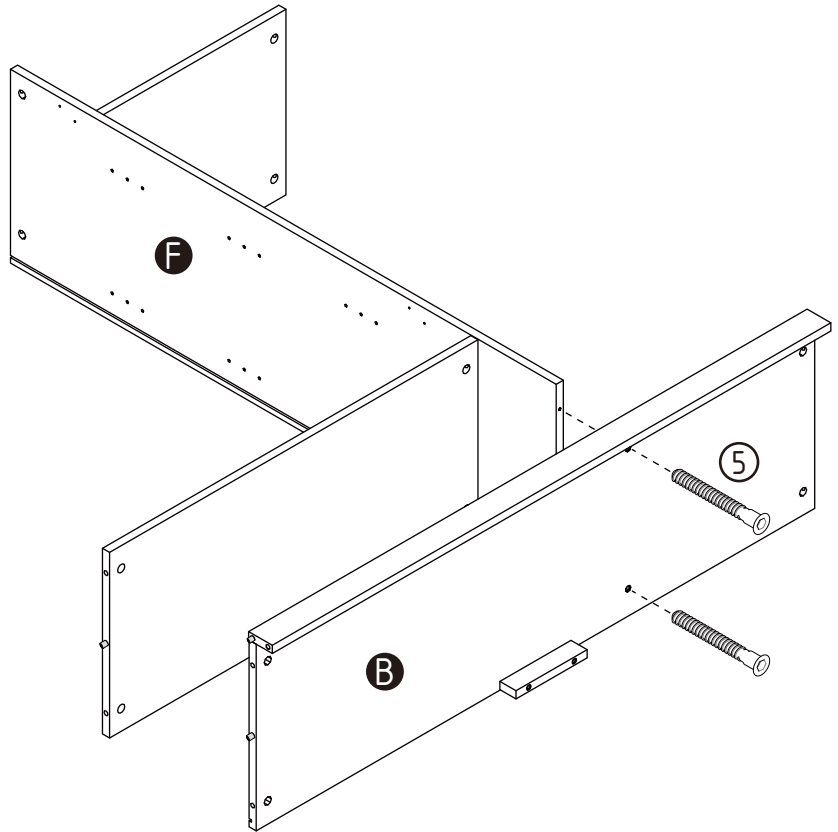
ASSEMBLY INSTRUCTIONS

Step 4.



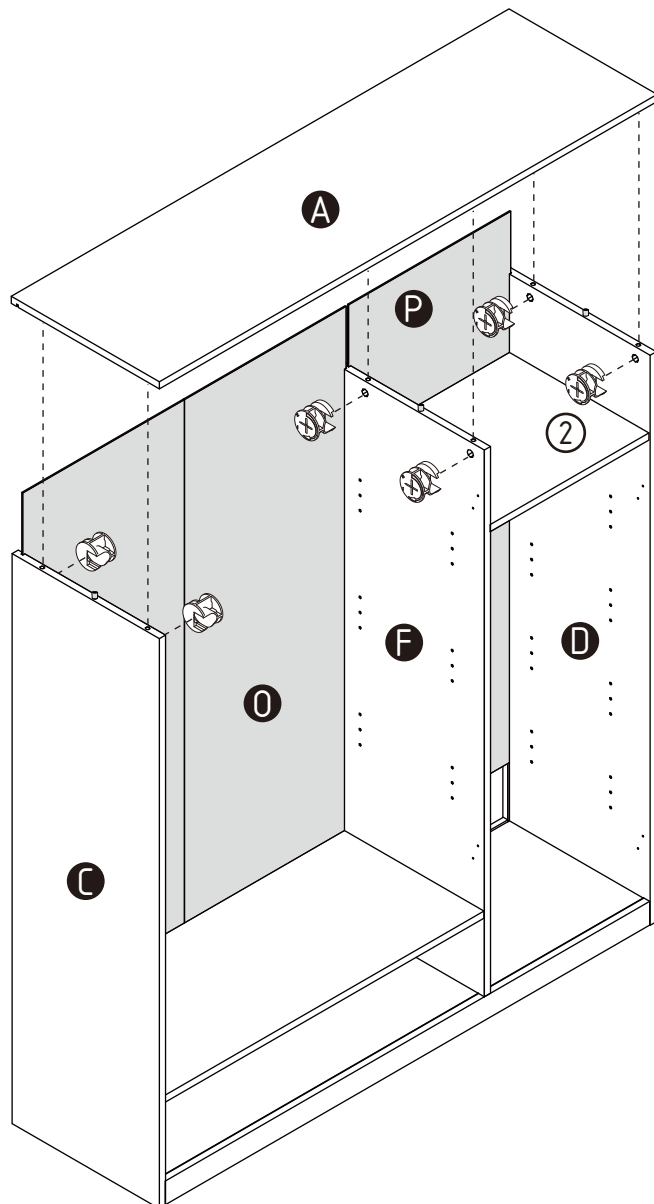
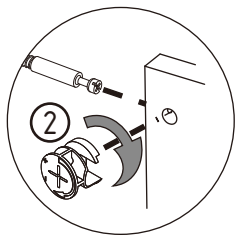
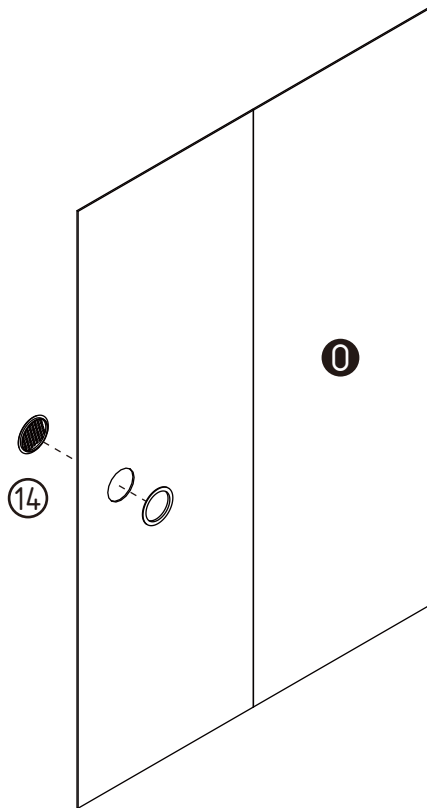
ASSEMBLY INSTRUCTIONS

Step 5.



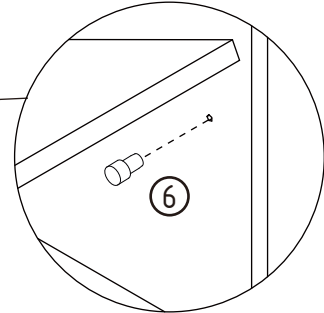
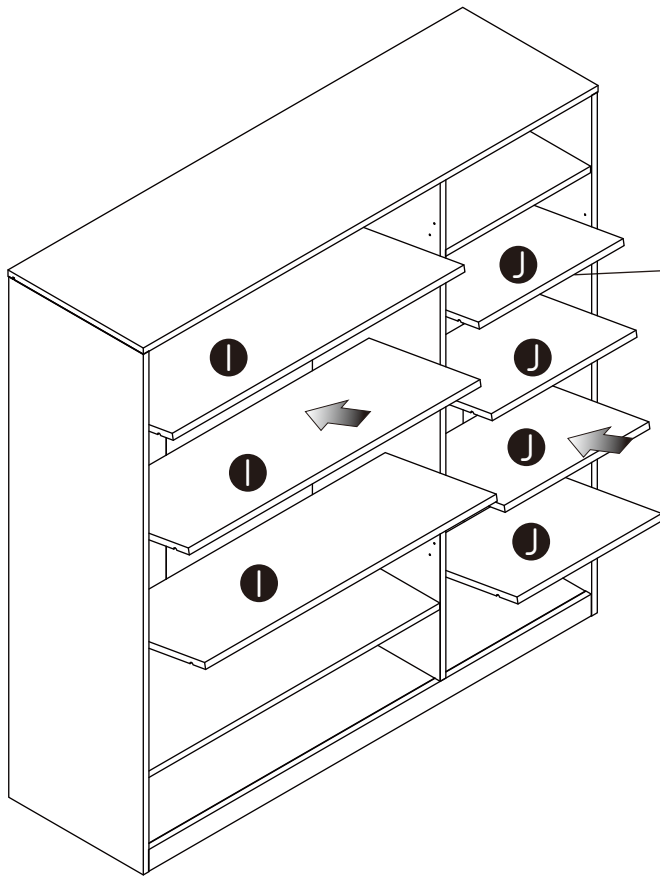
ASSEMBLY INSTRUCTIONS

Step 6.

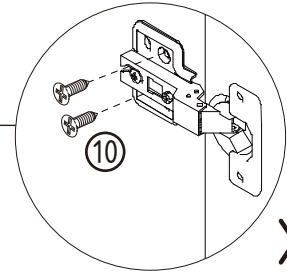
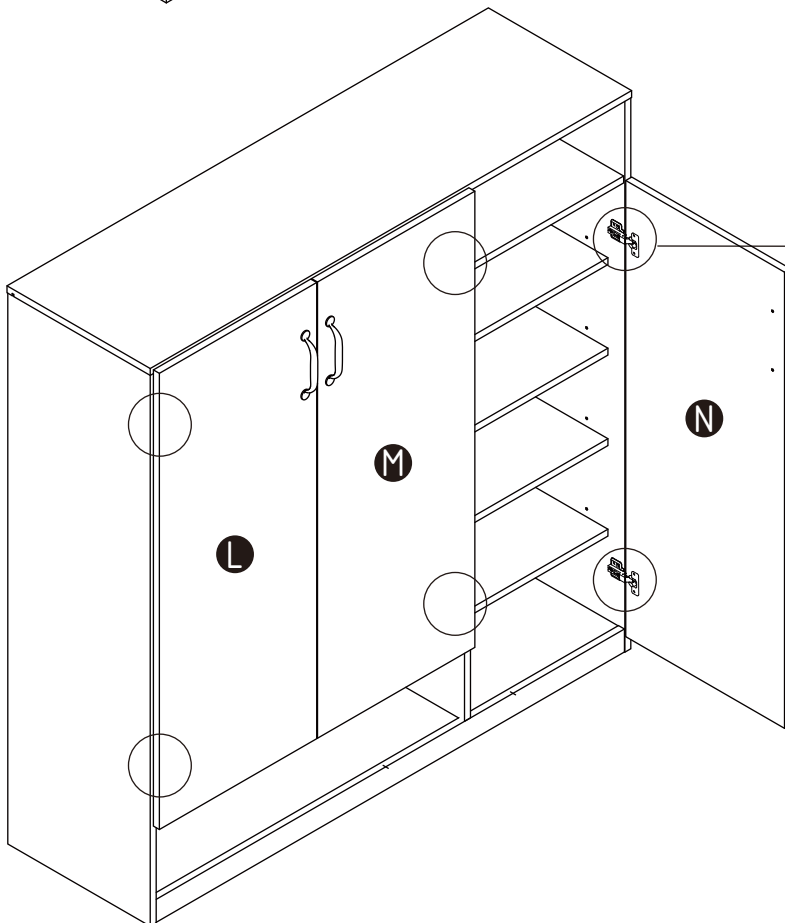


ASSEMBLY INSTRUCTIONS

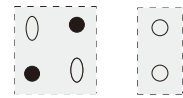
Step 7.



X28



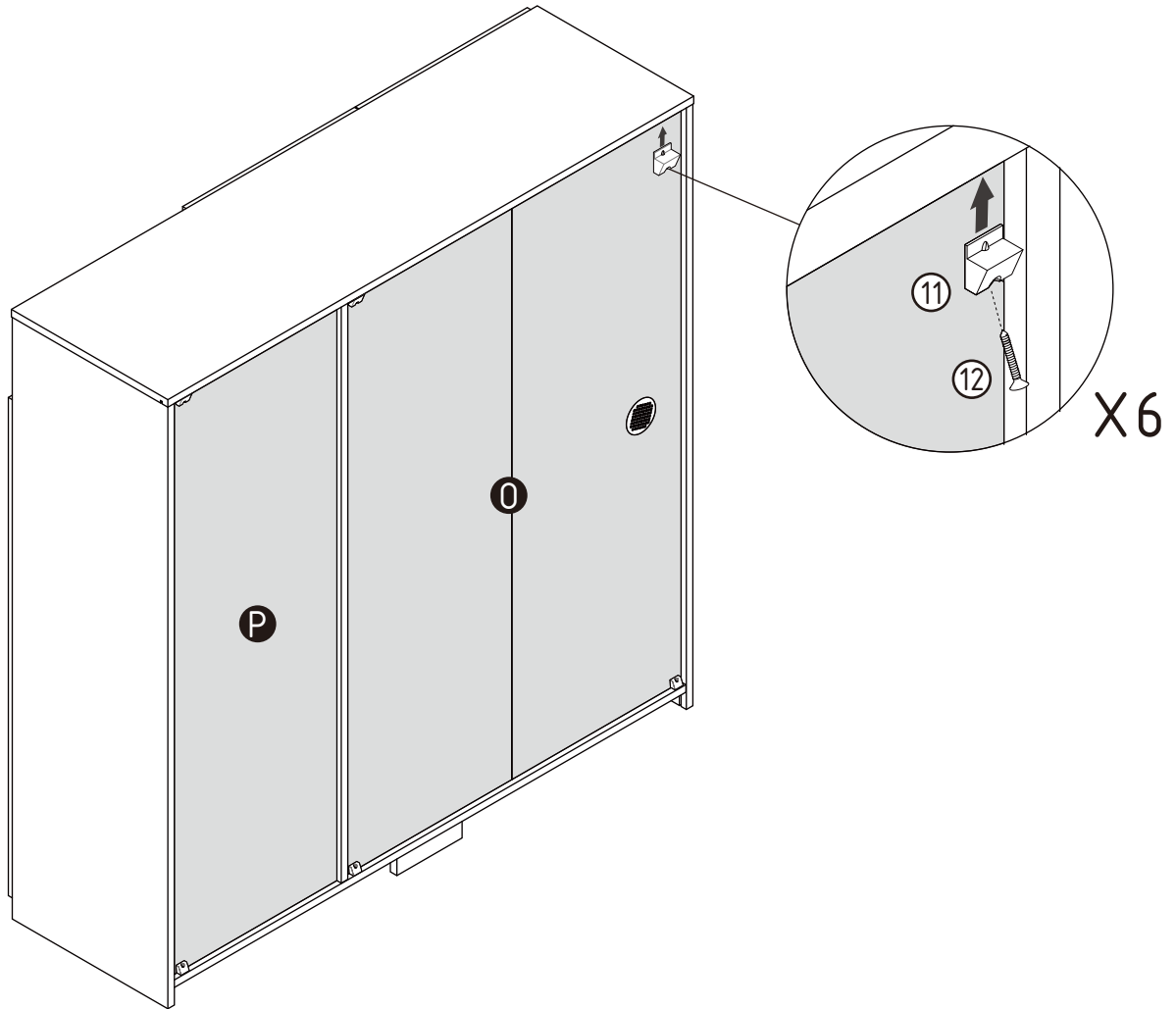
X6



hole usage

ASSEMBLY INSTRUCTIONS

Step 8.



ASSEMBLY IS COMPLETED.

Make sure the product is rested on a flat surface and does not feel loose or wobbly. If it does, double check that the bolts/screws are secured and properly tightened.