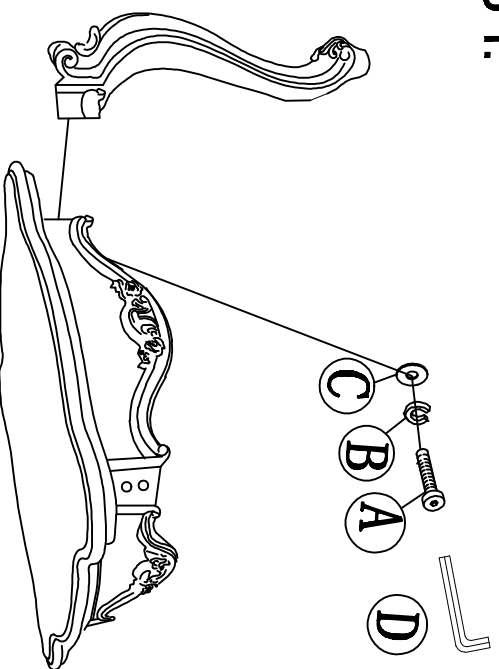
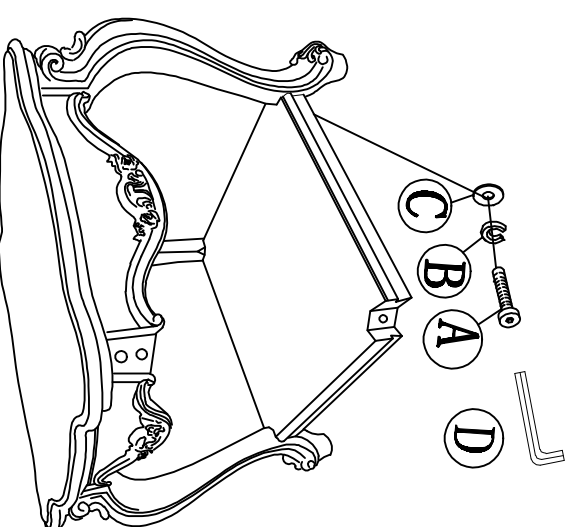


ASSEMBLY INSTRUCTION

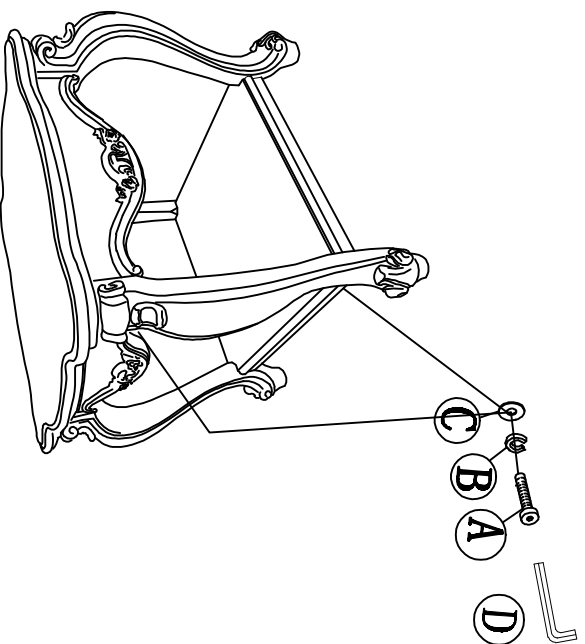
Step 1:



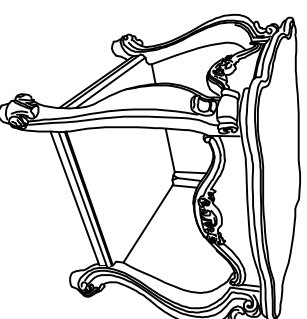
Step 2:

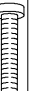
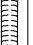
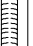
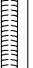


Step 3:



Finish :



No.:	Description	Drawing	Size	Q'ty
A	Middle Bolt		Ø5/16" X2-1/4 "	12
B	Lock Washer		Ø5/16" X12mm	12
C	Flat Washer		Ø5/16" X22mm	12
D	Allen Wrench		5mm	1