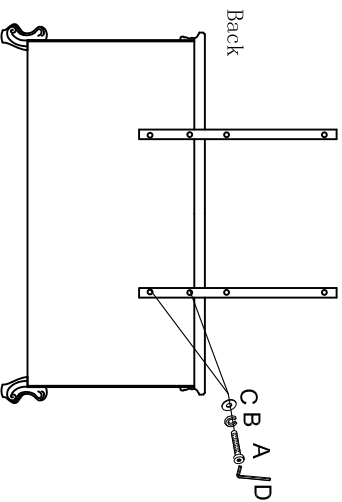
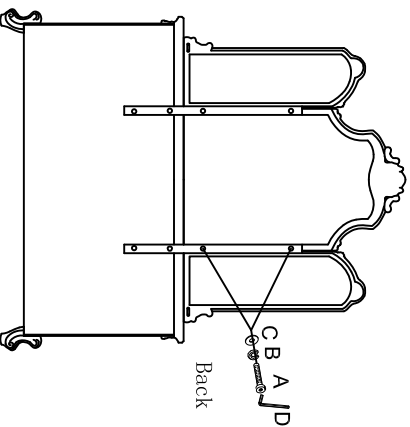


ASSEMBLY INSTRUCTION

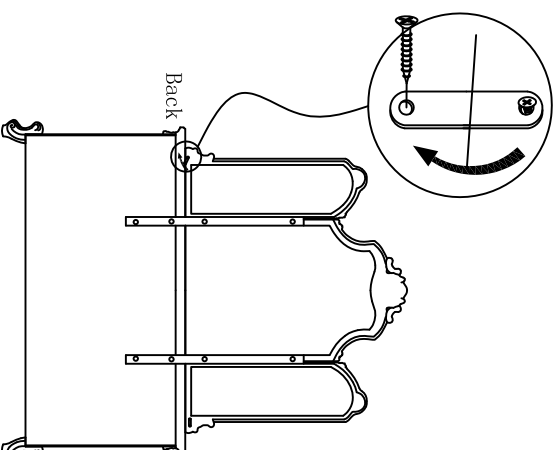
Step 1:



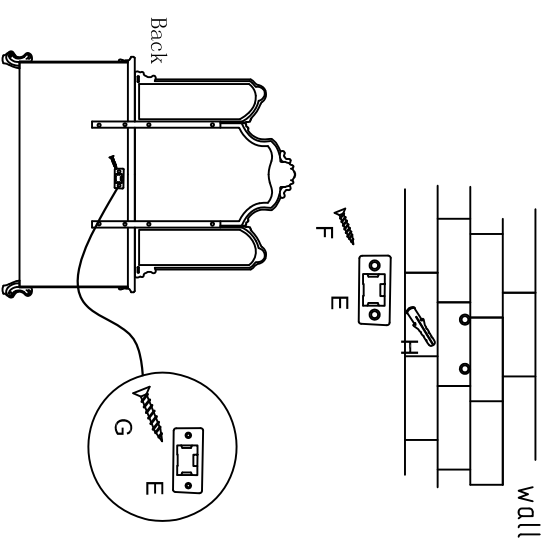
Step 2:



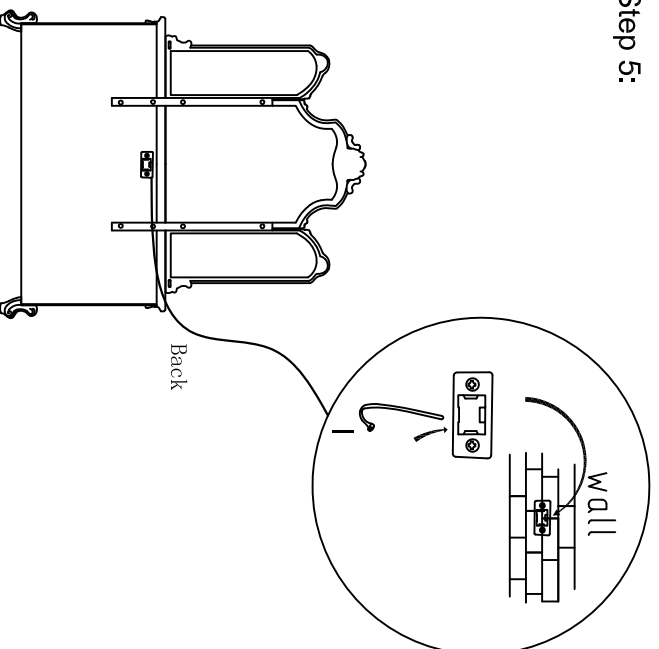
Step 3:



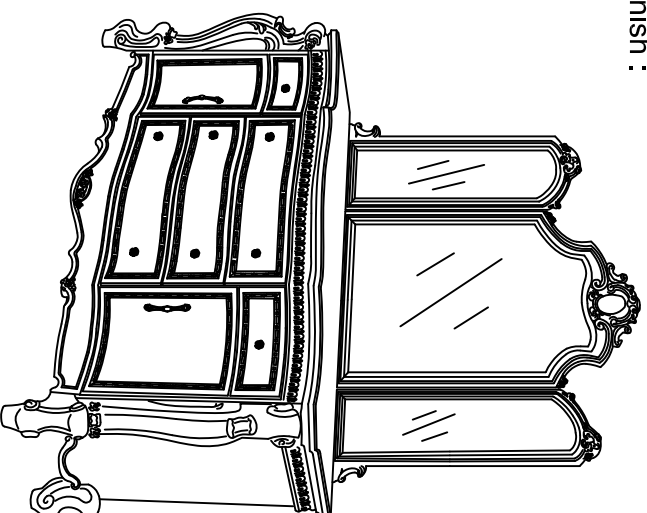
Step 4:










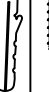

Step 5:



Finish :



Hardware List:

| No.: | Description | Drawing | Size | Q'ty |
|------|--------------|-------------------------------------------------------------------------------------|---------------|------|
| A | Bolt |  | Ø5/16"X1-3/4" | 8 |
| B | Lock Washer |  | Ø5/16"X12mm | 8 |
| C | Flat Washer |  | Ø5/16"X19mm | 8 |
| D | Allen Wrench |  | 5mm | 1 |
| E | Fasten unit |  | 44mmX20mm | 2 |
| F | Long Screw |  | Ø7mmX38mm | 2 |
| G | Short Screw |  | Ø6mmX16mm | 2 |
| H | Shrink bolt |  | Ø5/16"X1-1/2" | 2 |
| I | Safety belt |  | 8mmX250mm | 1 |