

ASSEMBLY INSTRUCTION FOR ACME FURNITURE

MODEL#21825 / #21824

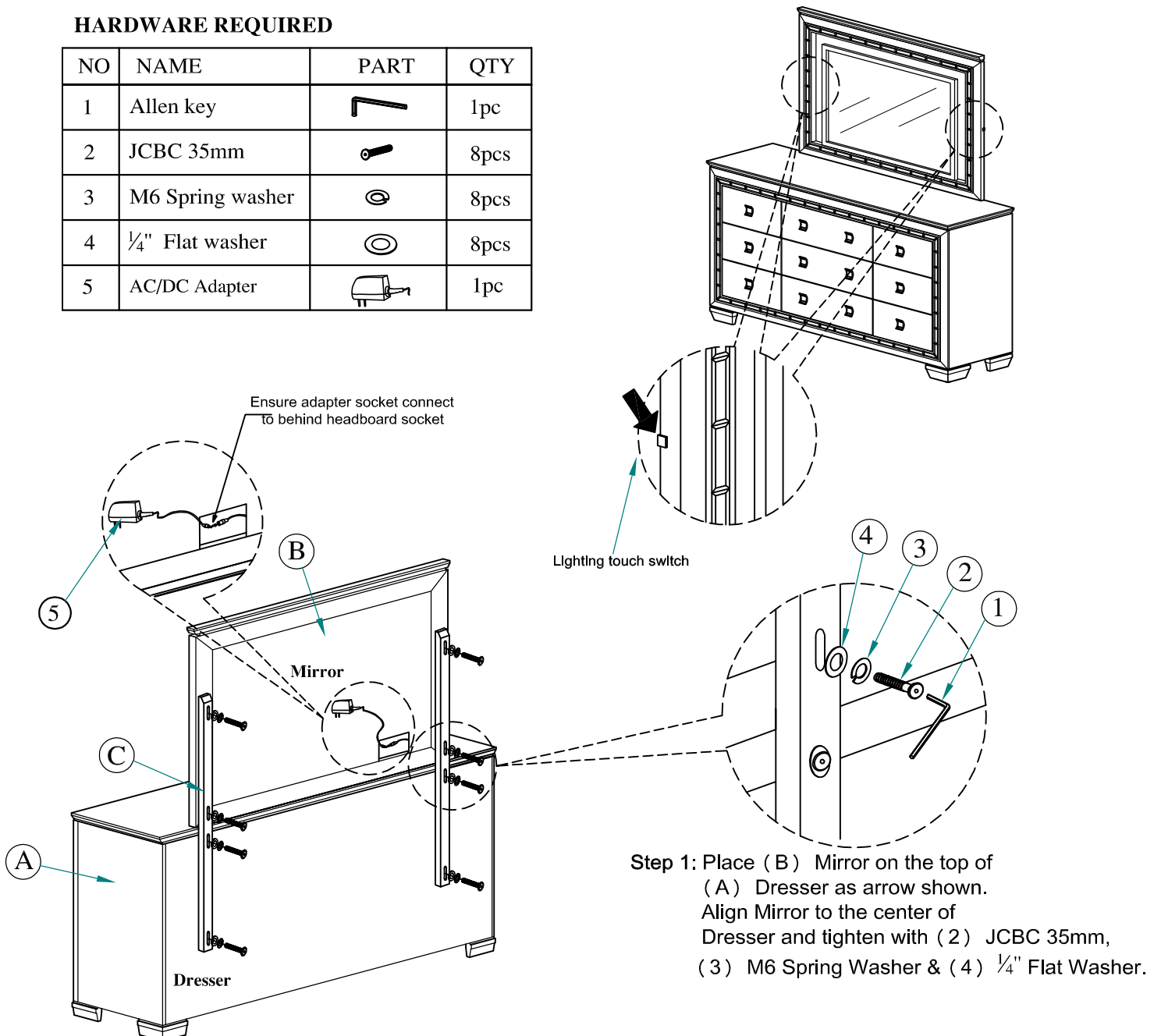
Thank you for purchasing this quality product. Be sure to check all packing material carefully for small parts which may have loose inside the carton during shipment. Separate, identify and count all parts and metal hardware. Compare with all parts list to be sure all parts are present. If any part(s) are missing or damaged, please contact your local furniture dealer. For efficient and speedy service, please indicate the model number and code letter of part(s) needed.

Do not fully tighten screw until fully assembled

COMPONENT PARTS		
DESCRIPTION	PART NAME	Q'TY (PCS)
(A)	DRESSER	1
(B)	MIRROR	1
(C)	MIRROR SUPPORT	2

HARDWARE REQUIRED

NO	NAME	PART	QTY
1	Allen key		1pc
2	JCBC 35mm		8pcs
3	M6 Spring washer		8pcs
4	1/4" Flat washer		8pcs
5	AC/DC Adapter		1pc



Step 1: Place (B) Mirror on the top of (A) Dresser as arrow shown. Align Mirror to the center of Dresser and tighten with (2) JCBC 35mm, (3) M6 Spring Washer & (4) 1/4" Flat Washer.