

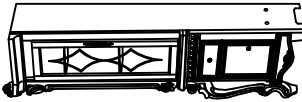
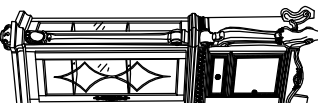
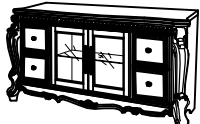

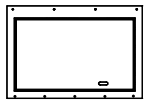
ASSEMBLY INSTRUCTION FOR ACME FURNITURE

MODEL#91815LP/91816RP/91817BASE/91818PNL/91819BRD





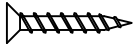
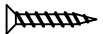



MODEL#91520LP/91521RP/91522BASE/91523PNL/91524BRD

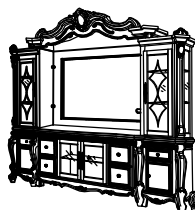
Thank you for purchasing the quality product. Be sure to check all packing material carefully for small parts which may have come loose inside the carton during shipment. Separate, identify and count all parts and metal hardware. Compare with all parts list to be sure all parts are present. If any part(s) are missing or damaged, please contact your local furniture dealer. For efficient and speedy service, please indicate the model number and code letter of part(s) needed.

*** Do not fully tighten screws until fully assembled ***

COMPONENT PARTS		
DESCRIPTION	PART NAME	Q'TY (PCS)
①	Ent.Center-Left Pier 	1
②	Ent.Center-Right Pier 	1
③	Tv Stand 	1
④	Ent.Center-Top Bridge 	1
⑤	Ent.Center-Back Board 	1

HARDWARE REQUIRED

Ⓐ		Bolt	ϕ5/16" * 1"	4	PCS
Ⓑ		Loch Washer	ϕ5/16" * 12mm	8	PCS
Ⓒ		Flat Washer	ϕ5/16" * 19mm	8	PCS
Ⓓ		Allen Wrench	5mm	1	PC
Ⓔ		Screw	#8 * 3/4"	5	PCS
Ⓕ		Screw	#3 * 12mm	8	PCS
Ⓖ		Bolt	ϕ5/16" * 1-1/2"	4	PCS
Ⓗ		Metal Conner	18X18X16	4	PCS
Ⓘ		Allen Wrench		4	PCS

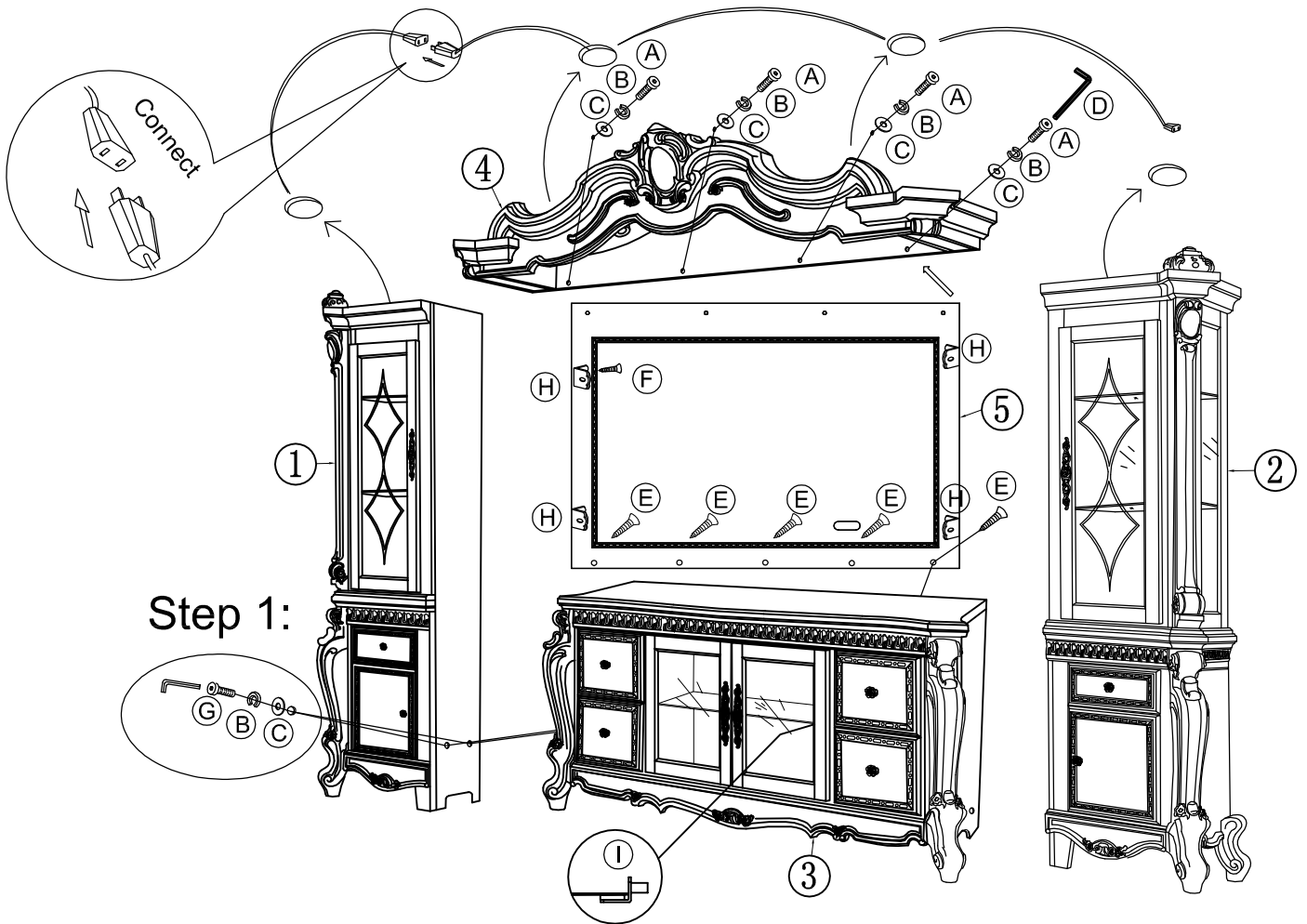


Attention

*** Some number parts listed on the instruction sheet may not be in parts bag as they may already be assembled. Carefully check parts and packing materials prior to ordering replacements.

How to assemble:

Step 2:



Step 1:

