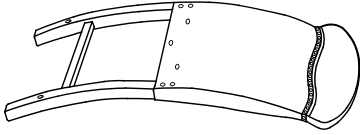
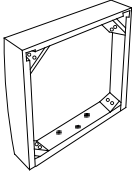





# ASSEMBLY INSTRUCTION FOR ACME FURNITURE

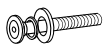
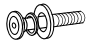



## MODEL# 72462 SIDE CHAIR

Thank you for purchasing this quality product. Be sure to check all packing material carefully for small parts which may have come loose inside the carton during shipment. Separate, identify and count all parts and metal hardware. Compare with parts list to be sure all parts are present. If any part(s) are missing or damaged, please contact you local furniture dealer. For efficient and speedy service, please indicate the model number and code letter of part(s) needed.

**\*\*\* Do not fully tighten screws until assemble \*\*\***

COMPONENT PARTS		
DECERPTION	PART NAME	QTY(PCS)
①	BACK FRAME 	1
②	CUSHION SEAT WITH FRAME 	1
③	FRONT LEG 	2
④	FRONT STRETCHER 	1
⑤	SIDE STRETCHER 	2

### HARDWARE REQUIRED:

- Ⓐ  ALLEN BOLT 5/16" x 3-1/8" - 4PCS
- Ⓑ  ALLEN BOLT 5/16" x 2-3/8" - 4PCS
- Ⓒ  ALLEN BOLT 5/16" x 1-3/4" - 3PCS
- Ⓓ  WOODEN SCREW 3/16" x 1-1/2" - 6PCS
- Ⓔ  ALLEN KEY 5MM - 1PC

**Attention:**

\*\*\*Mattreses not included.

\*\*\*Some number parts instead on instruction sheet may not be in parts bag as they may already be assembled. Carefully check parts and packing materials prior to ordering replacements.

# ASSEMBLY INSTRUCTION FOR ACME FURNITURE

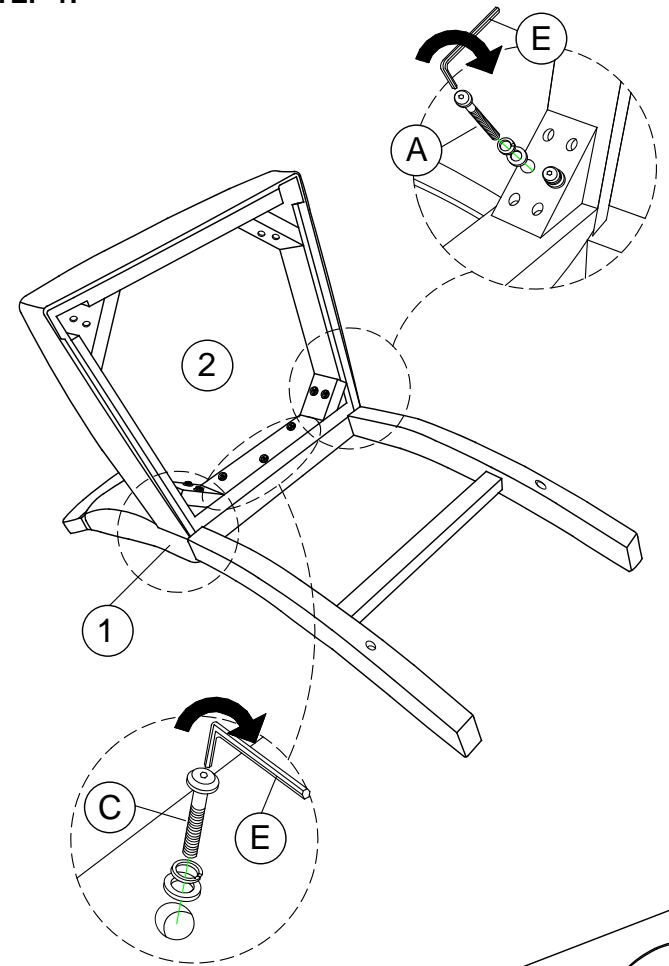
## MODEL# 72462 SIDE CHAIR

Thank you for purchasing this quality product. Be sure to check all packing material carefully for small parts which may have come loose inside the carton during shipment. Separate, identify and count all parts and metal hardware. Compare with parts list to be sure all parts are present. If any part(s) are missing or damaged, please contact you local furniture dealer. For efficient and speedy service, please indicate the model number and code letter of part(s) needed.

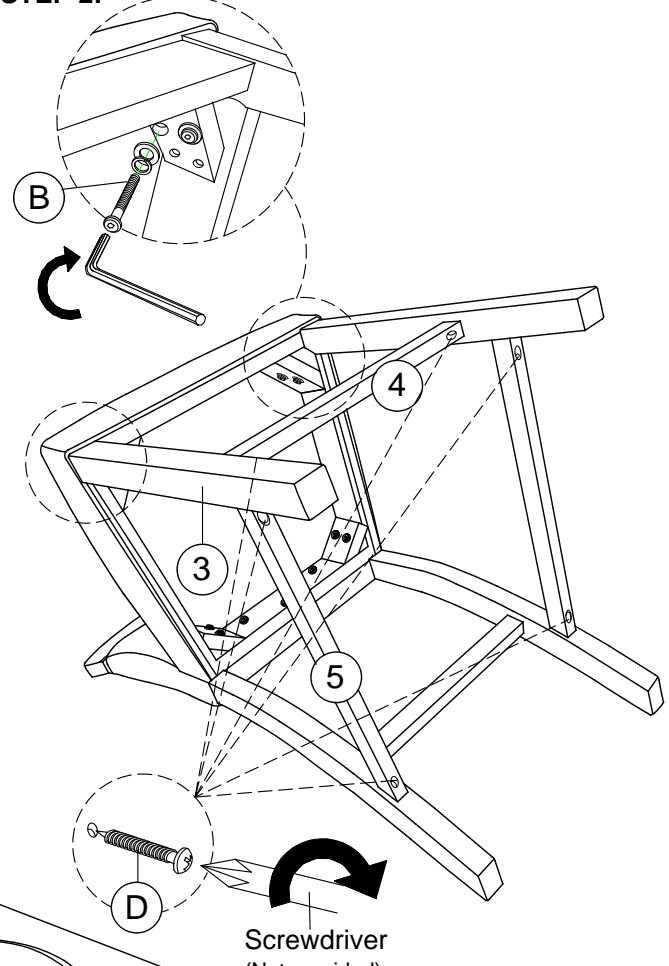
\*\*\* Do not fully tighten screws until assemble \*\*\*

### How to Assemble:

**STEP 1:**

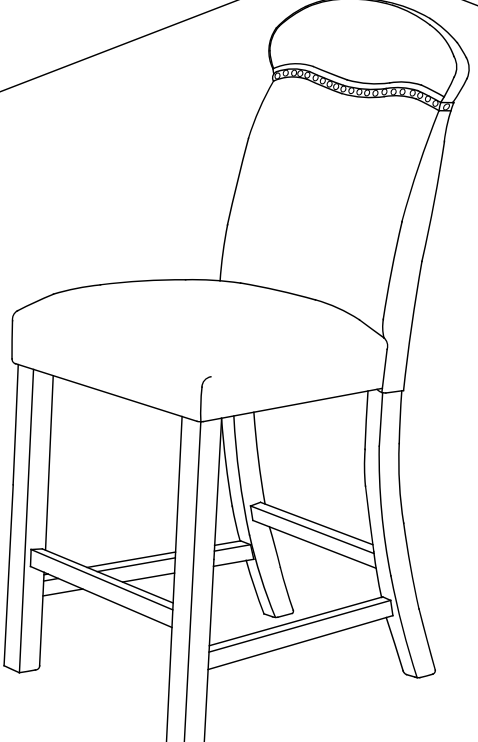


**STEP 2:**



Screwdriver  
(Not provided)

**STEP 3:**



**ASSEMBLY COMPLETED!**