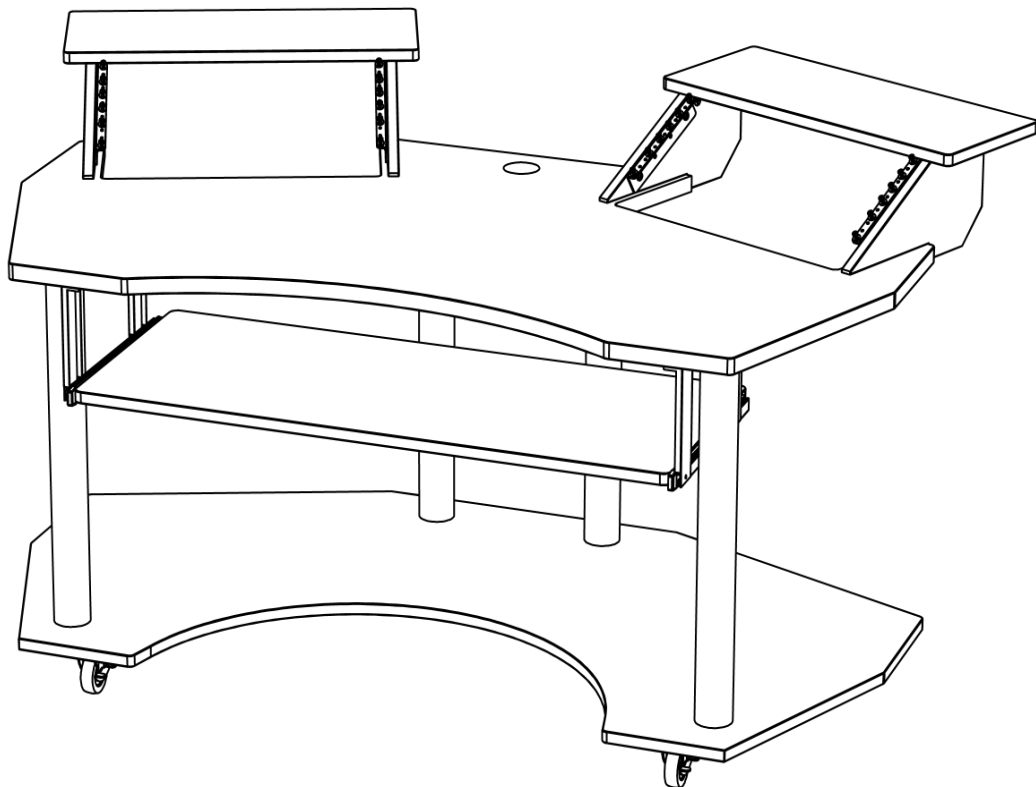


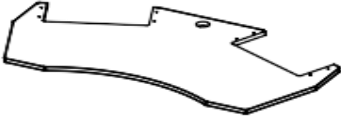


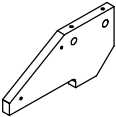
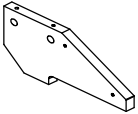

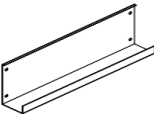



# **ASSEMBLY INSTRUCTION FOR ACME FURNITURE**

## **MODEL#92890TOP/92891LEG 92892TOP/92893LEG**

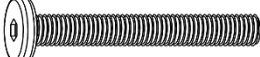
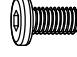
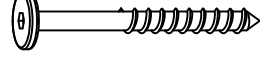
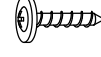

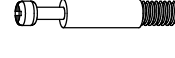






Thank you for purchasing the quality product. Be sure to check all packing material carefully for small parts which may have come loose inside the carton during shipment. Separate, identify and count all parts and metal hardware. Compare with all parts list to be sure all parts are present. If any part(s) are missing or damaged, please contact your local furniture dealer. For efficient and speedy service, please indicate the model number and code letter of part(s) needed.



\*\* Do not fully tighten screws until fully assembled \*\*

COMPONENT PARTS		
DESCRIPTION	PART NAME	QTY(PCS)
①	DESKTOP 	1
②	BOTTOM SHELF 	1
③	TOP SHELF 	2
④	SMALL LEFT PANEL 	2
⑤	SMALL RIGHT PANEL 	2
⑥	KEYBOARD SHELF 	1
⑦	REAR PANEL 	1
⑧	BRACKET 	4
⑨	FRONT LEG 	2
⑩	REAR LEG 	2

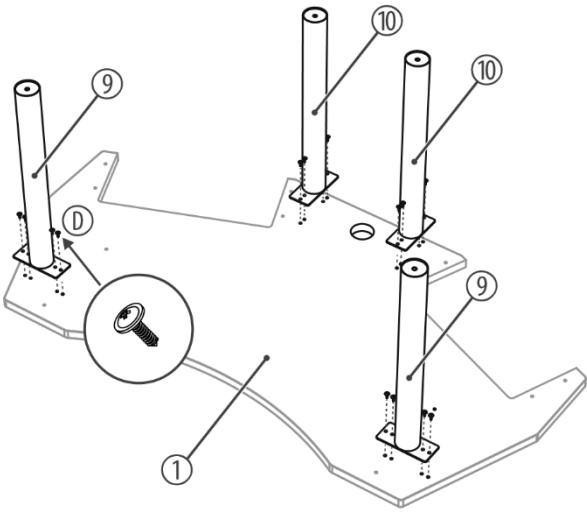
## HARDWARE REQUIRED

A		ALLEN BOLT	M8x50MM	4	PCS
B		ALLEN BOLT	M6x12MM	8	PCS
C		ALLEN SCREW	M6x50MM	8	PCS
D		ALLEN SCREW	M4x15MM	48	PCS
E		CAM LOCK		8	PCS
F		CAM BOLT		8	PCS
G		PHILLIPS BOLT&WASHER	M5x19MM	24	PCS
H		LOCKING CASTER		2	PCS
I		NON-LOCKING CASTER		3	PCS
J		KEYBOARD SLIDERS		1	PCS
K		ALLEN WRENCH(SMALL)		1	PCS
L		ALLEN WRENCH(LARGE)		1	PCS

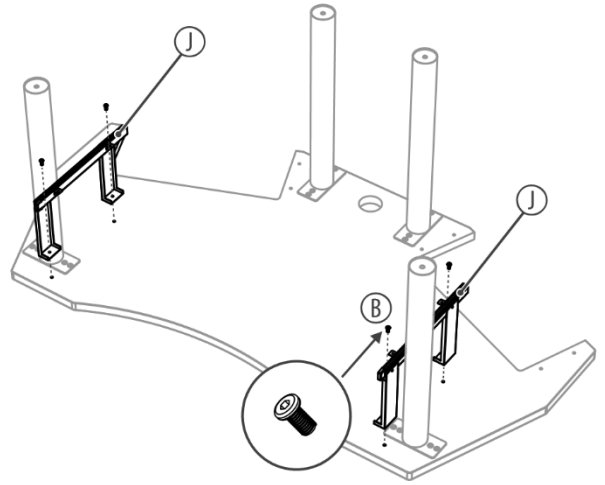
### Attention

\*\*\*Some number parts listed on the instruction sheet may not be in parts bag as they may already be assembled. Carefully check parts and packing materials prior to ordering replacements.

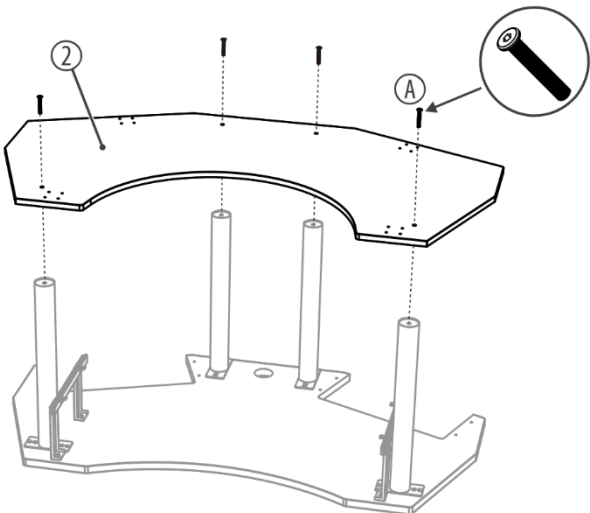
1.



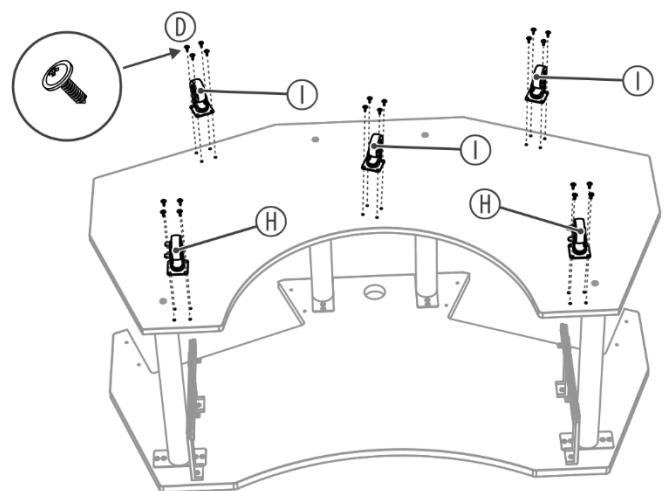
2.



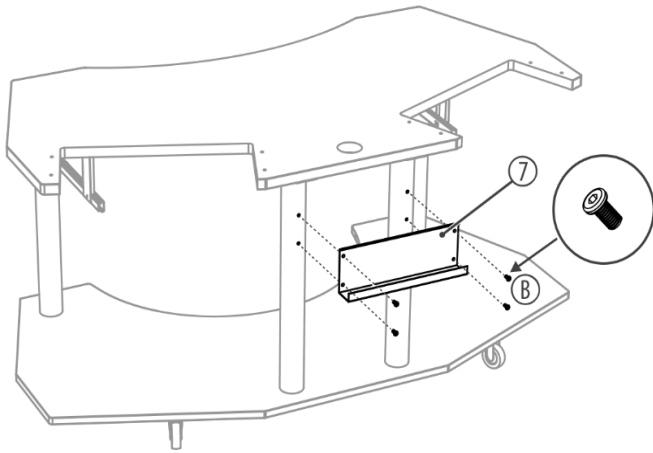
3.



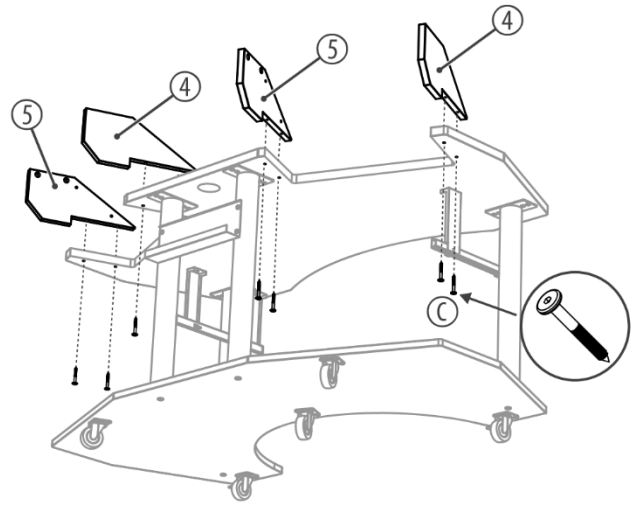
4.



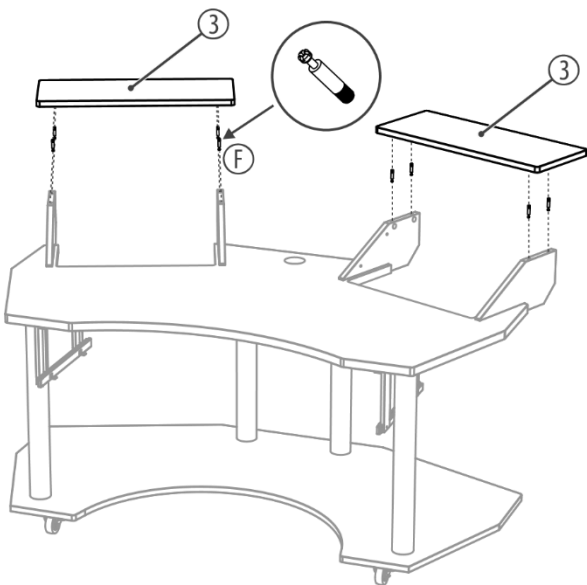
5.



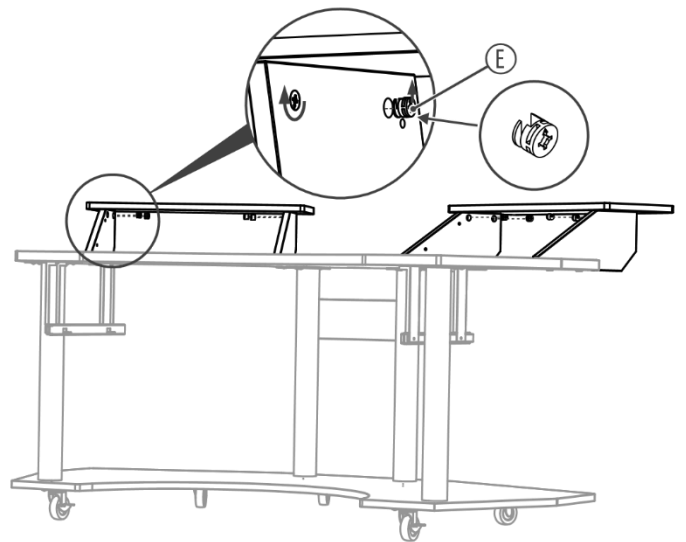
6.



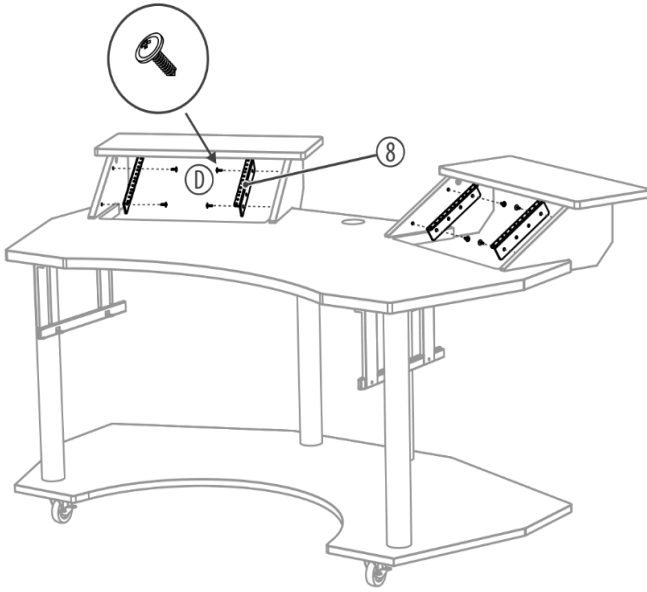
7.



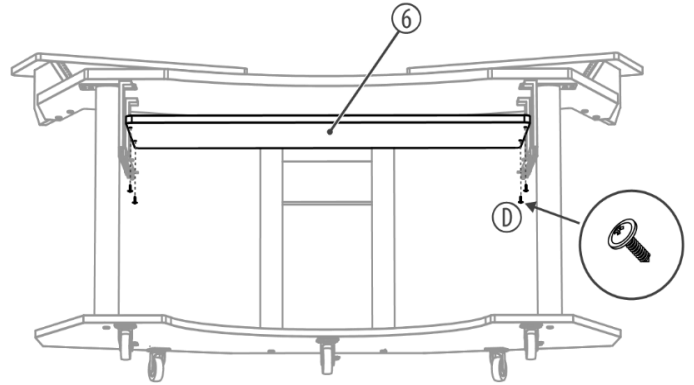
8.



9.



10.



11.

