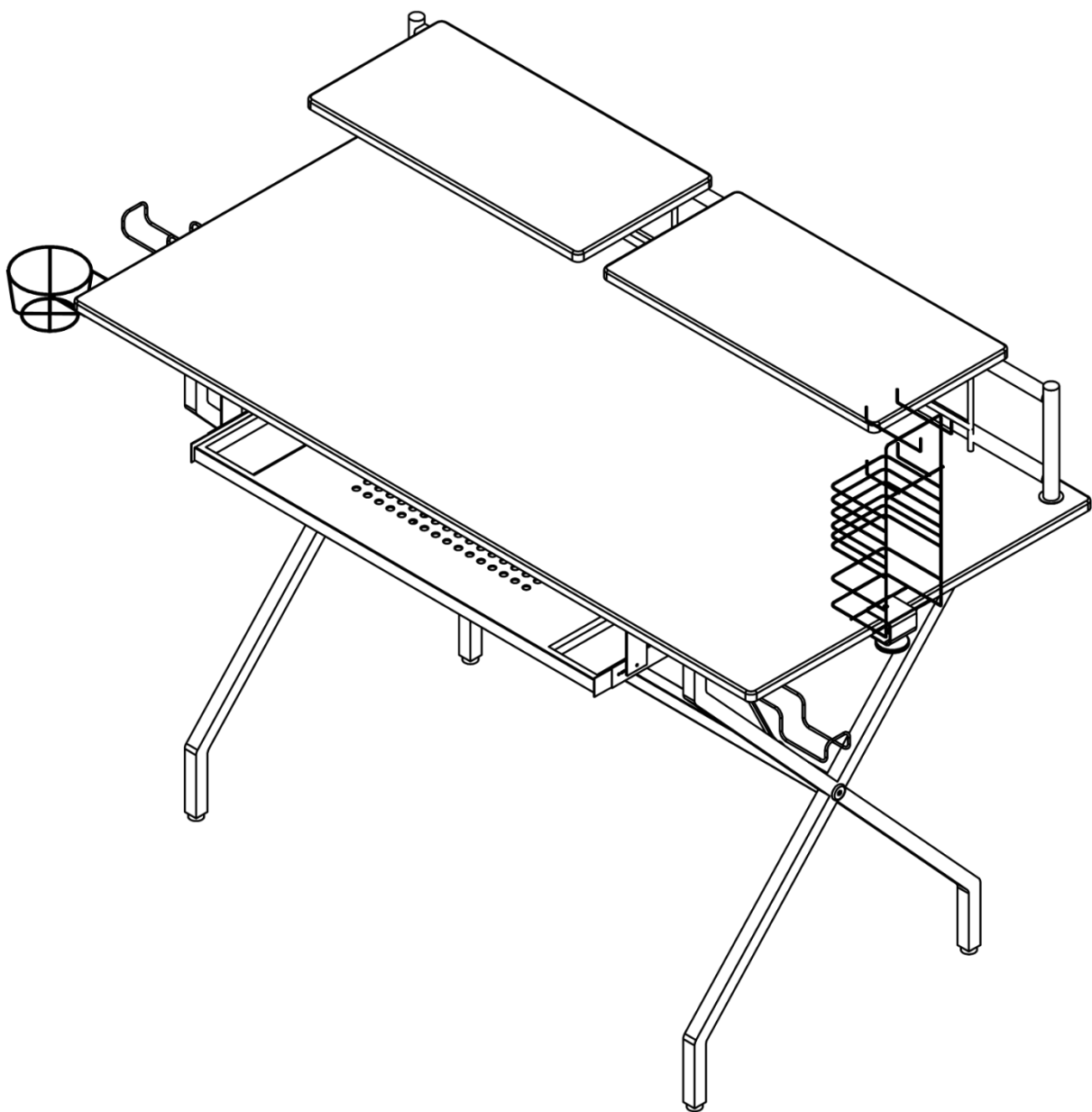


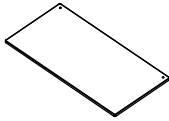
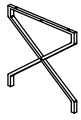
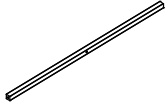

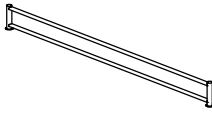
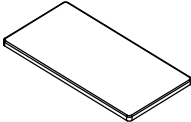
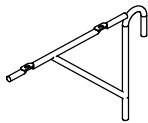
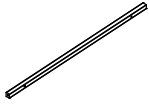
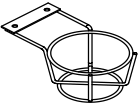
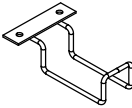
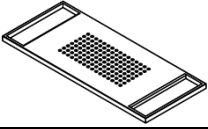
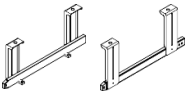
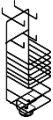
# ASSEMBLY INSTRUCTION FOR ACME FURNITURE

## MODEL# 92870



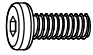
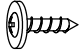


Thank you for purchasing the quality product. Be sure to check all packing material carefully for small parts which may have come loose inside the carton during shipment. Separate, identify and count all parts and metal hardware. Compare with all parts list to be sure all parts are present. If any part(s) are missing or damaged, please contact your local furniture dealer. For efficient and speedy service, please indicate the model number and code letter of part(s) needed.



\*\* Do not fully tighten screws until fully assembled \*\*\*

COMPONENT PARTS		
DESCRIPTION	PART NAME	QTY(PCS)
①	TABLE TOP 	1
②	MAIN STRUCTURE 	2
③	HORIZONTAL BAR(TOP) 	1
④	CROSS BAR 	2
⑤	TOP SUPPORT BAR 	1
⑥	MONITOR SHELF 	2
⑦	TRIANGLE STAND 	4
⑧	HORIZONTAL BAR(BOTTOM) 	1
⑨	CUP HOLDER 	1
⑩	HEADSET HOLDER 	2
⑪	KEYBOARD SHELF 	1
⑫	KEYBOARD SLIDERS 	1
⑬	ADJUSTABLE CD RACK 	1

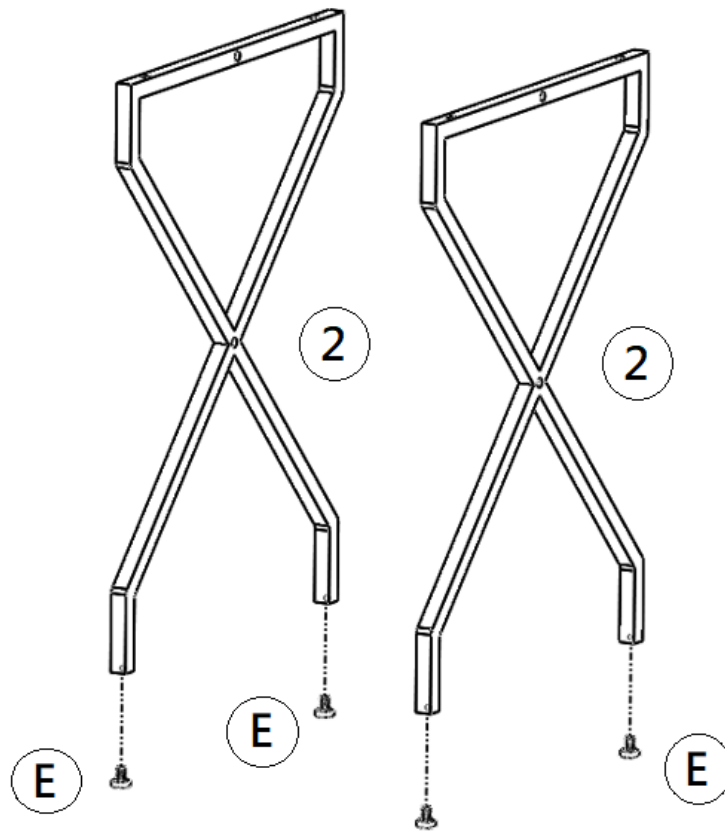
## HARDWARE REQUIRED

(A)		ALLEN BOLT	M6X45MM	4	PCS
(B)		ALLEN BOLT	M6X32MM	6	PCS
(C)		ALLEN BOLT	M6X12MM	7	PCS
(D)		ALLEN SCREW	M4X12MM	18	PCS
(E)		STUD		4	PCS
(F)		ALLEN WRENCH		1	PCS

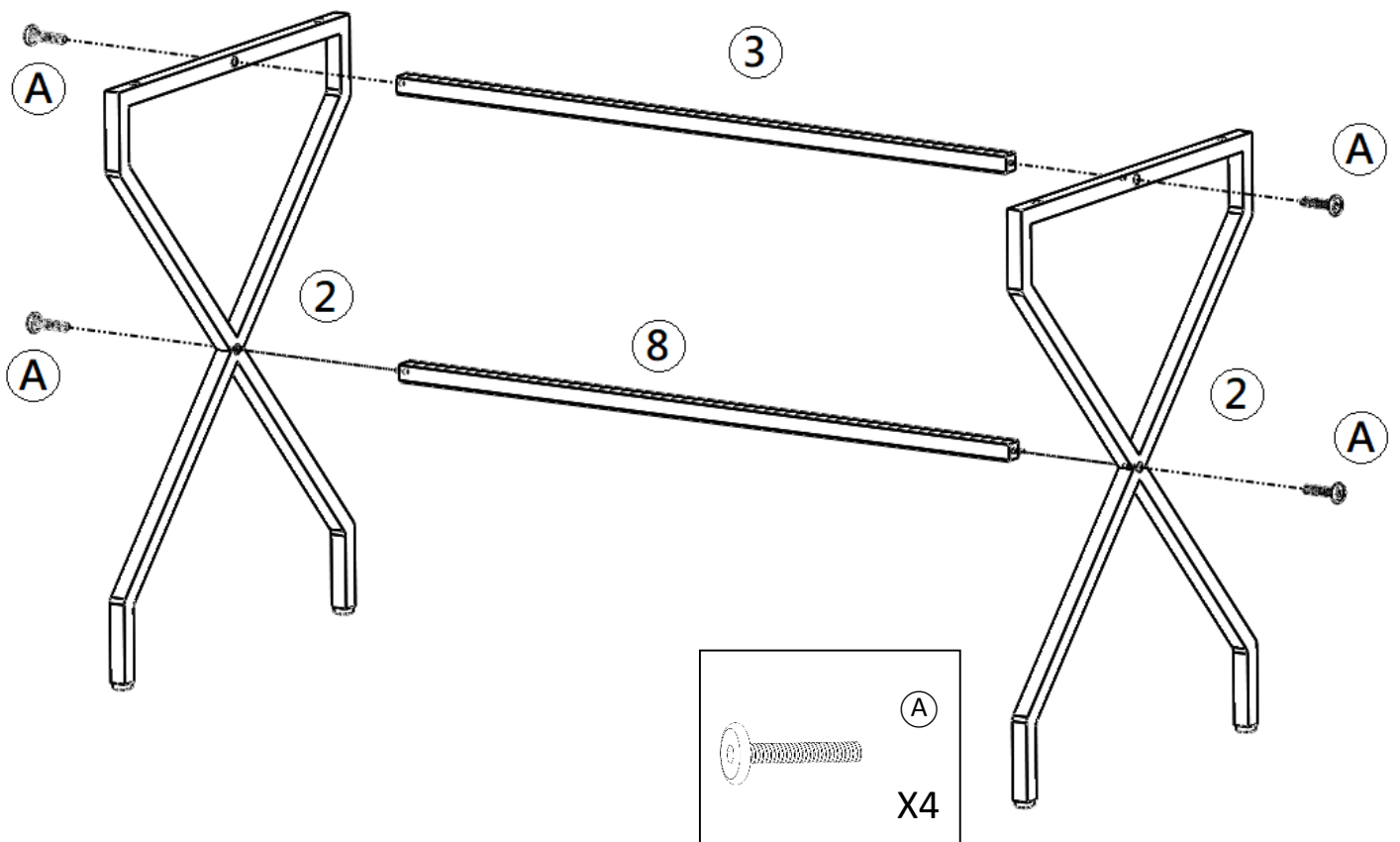
### Attention

\*\*\*Some number parts listed on the instruction sheet may not be in parts bag as they may already be assembled. Carefully check parts and packin materials prior to ordering replacements.

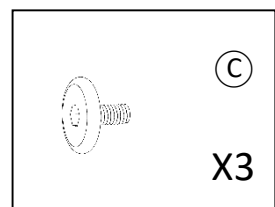
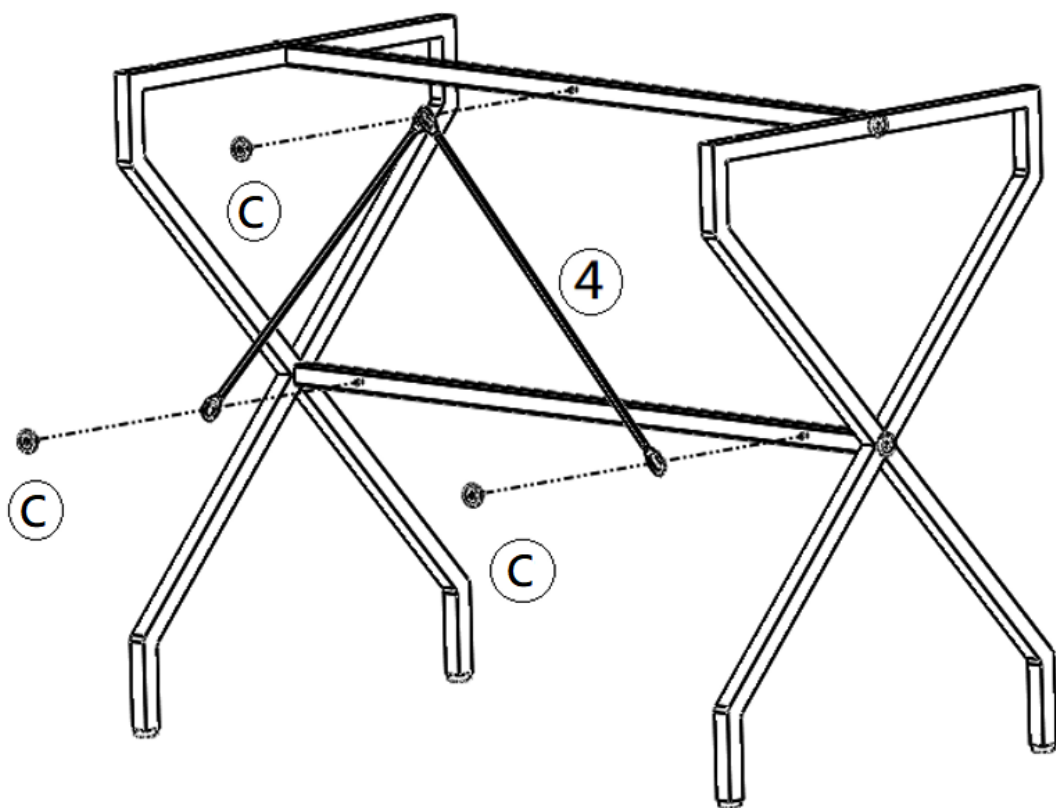
# STEP.1



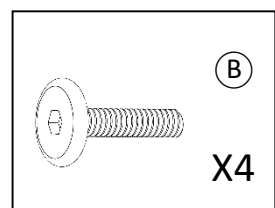
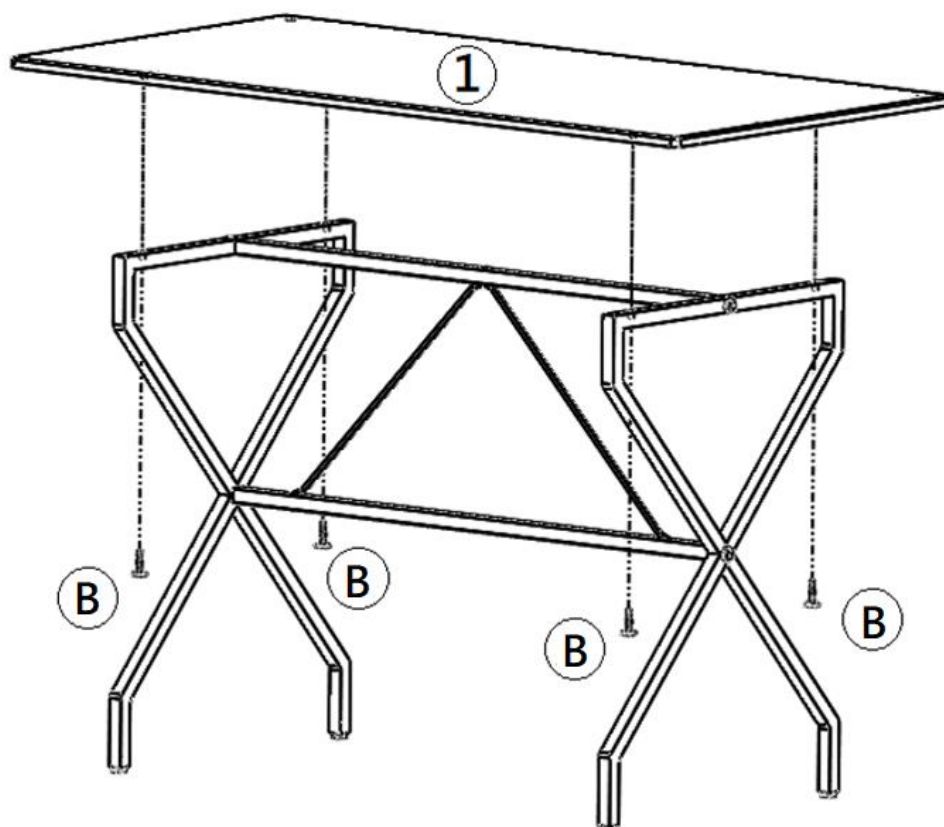
# STEP.2



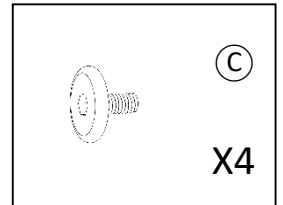
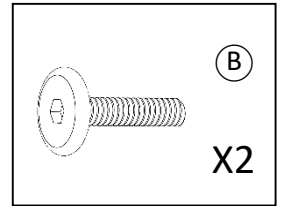
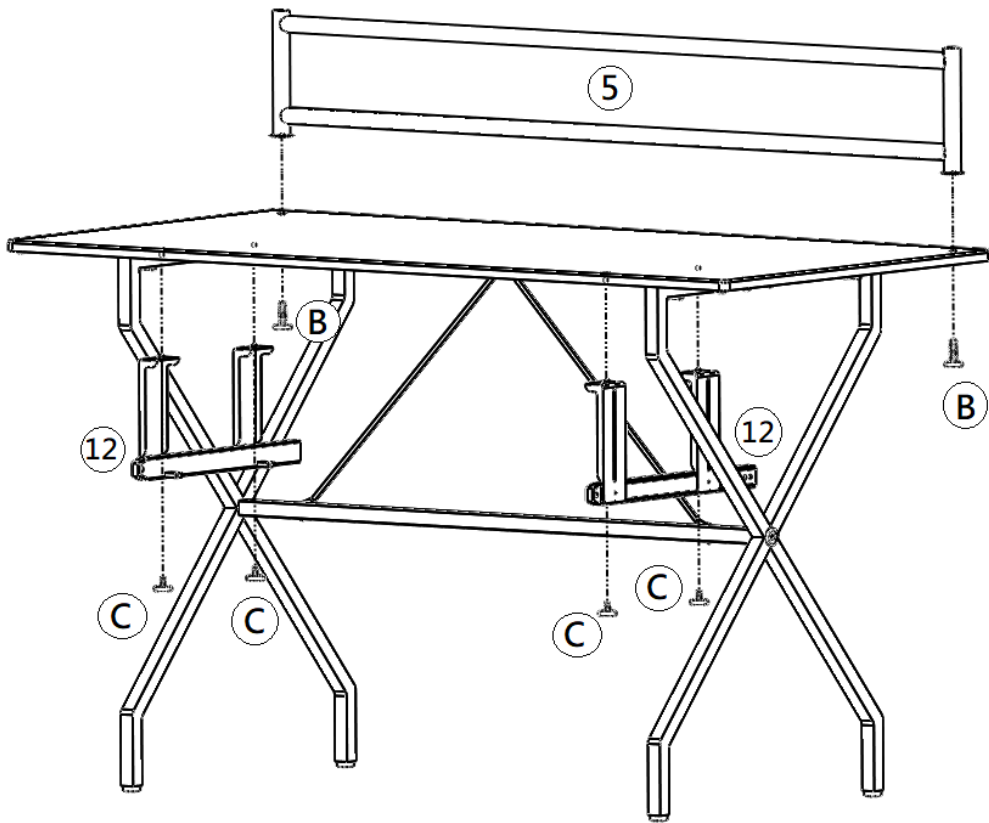
# STEP.3



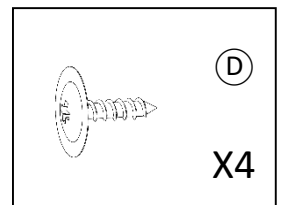
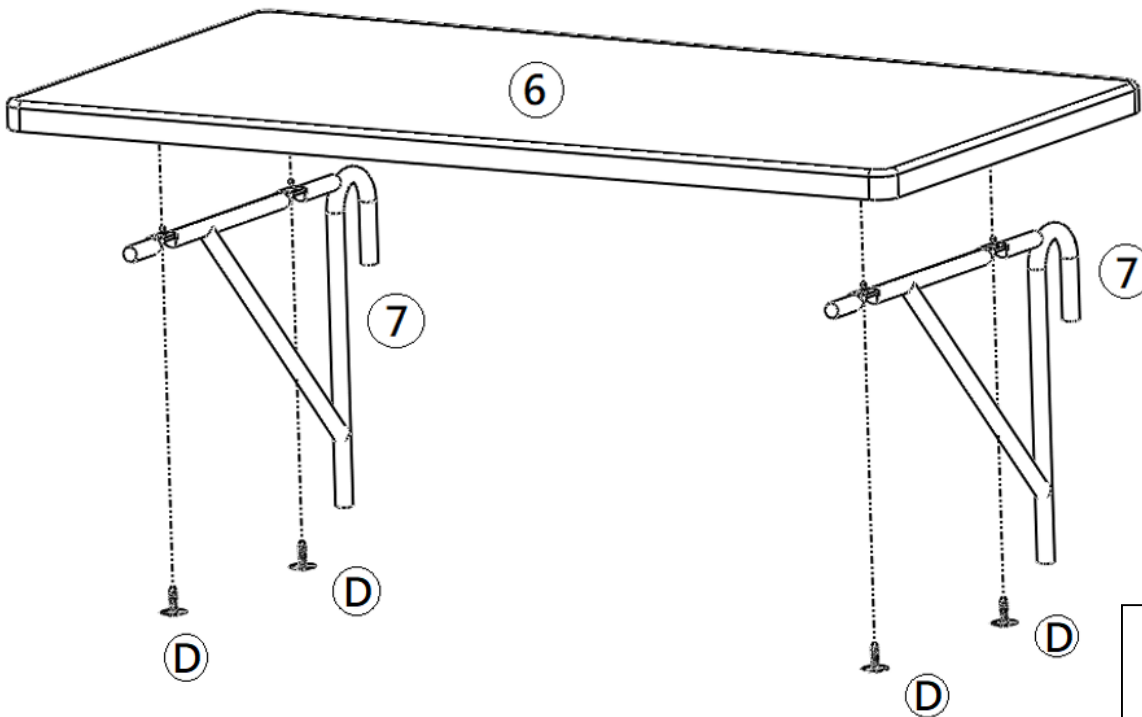
# STEP.4



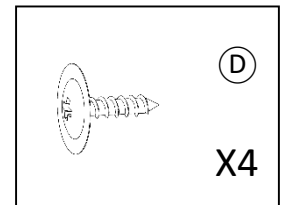
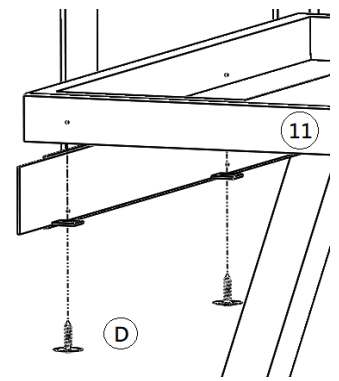
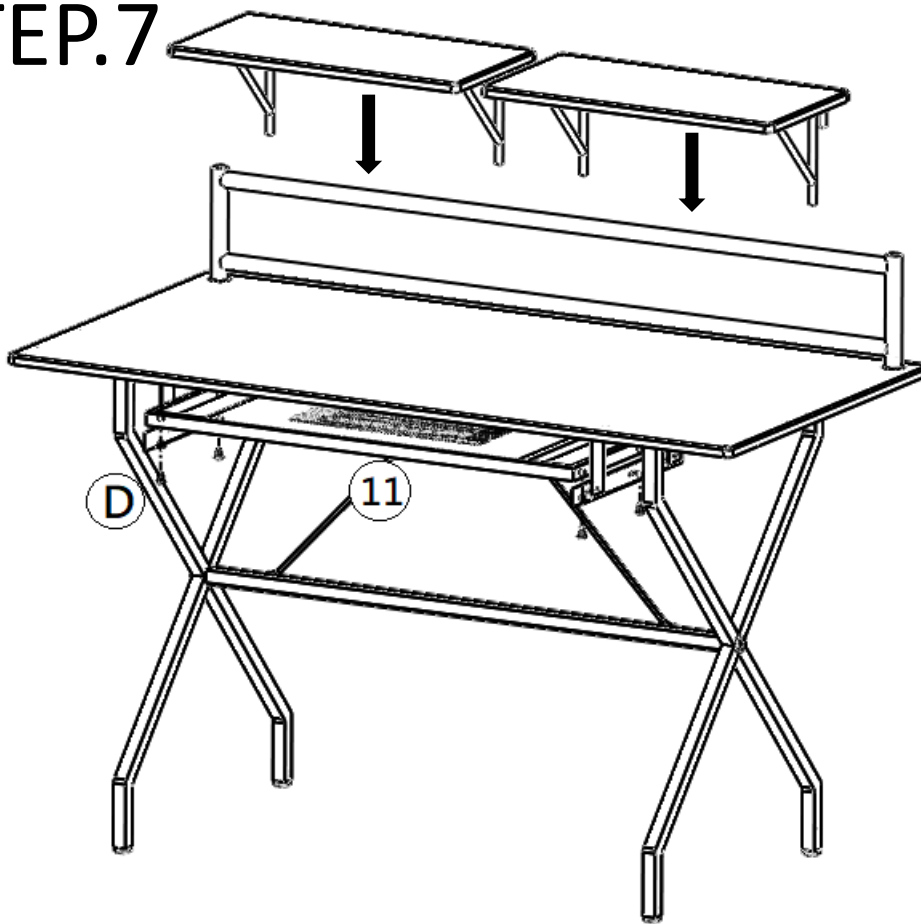
# STEP.5



# STEP.6



# STEP.7



# STEP.8

