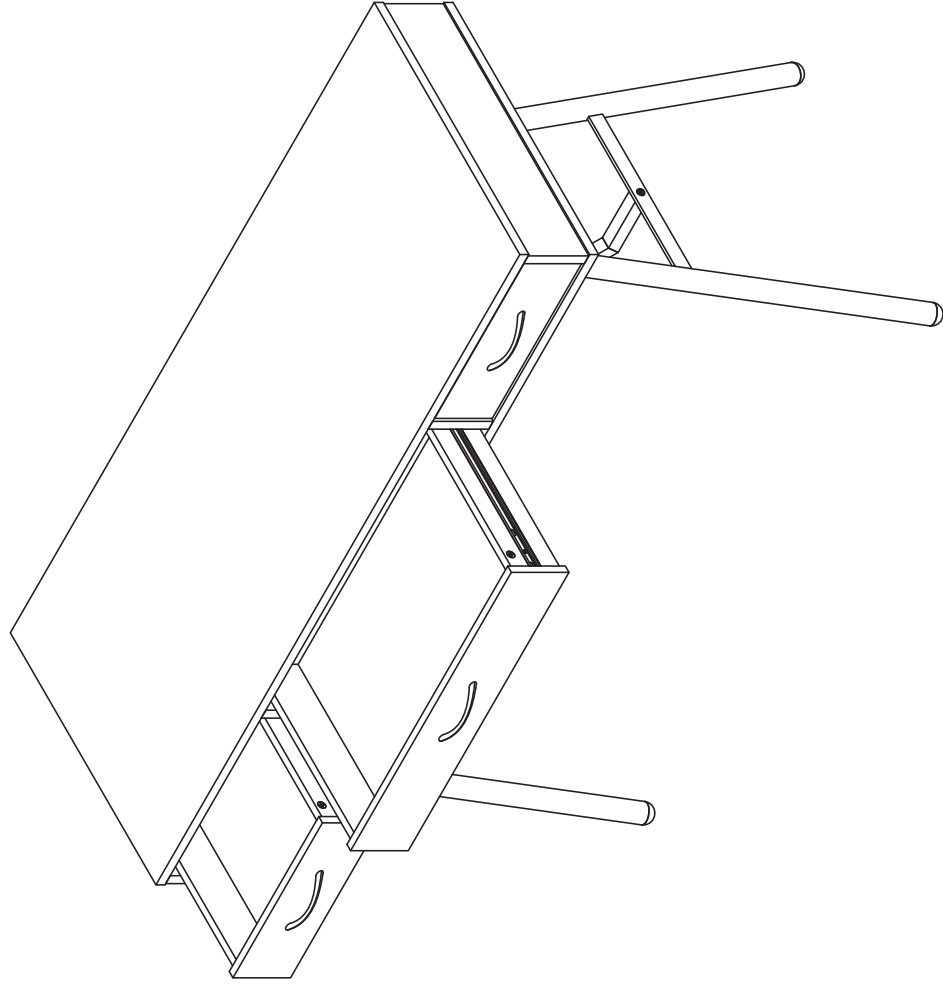


# ASSEMBLY INSTRUCTION FOR ACME FURNITURE

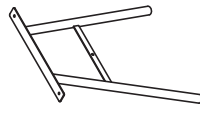
## MODEL # 92645

Thank you for purchasing the quality product. Be sure to check all packing material carefully for small parts which may have come loose inside the carton during shipment. Separate, identify and count all parts and metal hardware, compare with all parts list to be sure all parts are present. If any part(s) are missing or damaged, please contact your local furniture dealer. For efficient and speedy service, please indicate the model number and code letter of part(s) needed.

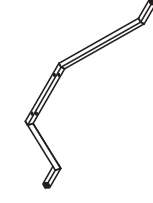
\*\*\* Do not fully tighten screws until fully assembled \*\*\*



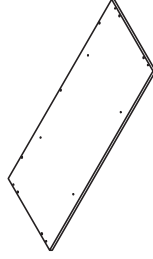
92645



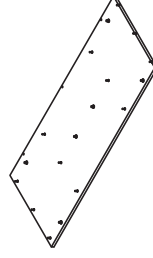
1 x2



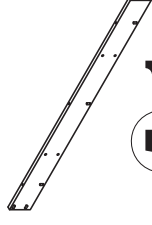
2 x1



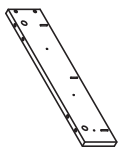
3 x1



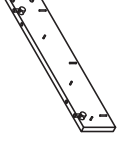
4 x1



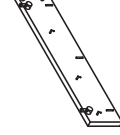
5 x1



6 x1



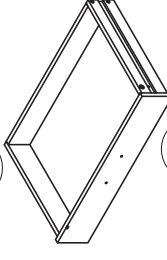
7 x1



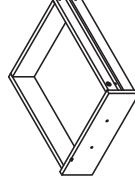
8 x2



9 x6



10 x1



11 x2



Ax4



Bx3



Cx8



Dx8



Ex18



Fx12



12L Gx6



15L Hx6



15L Ix4



32L Jx4



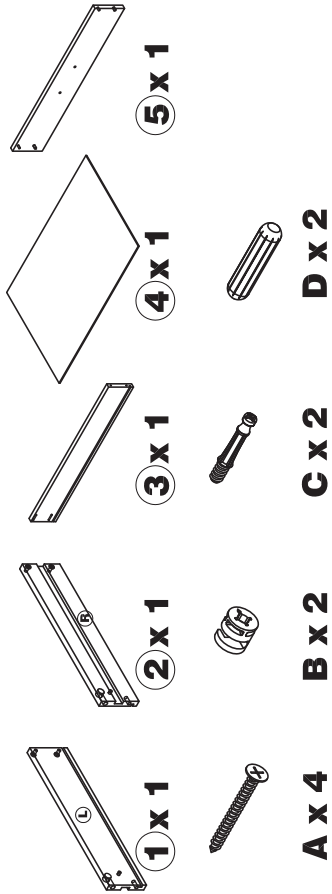
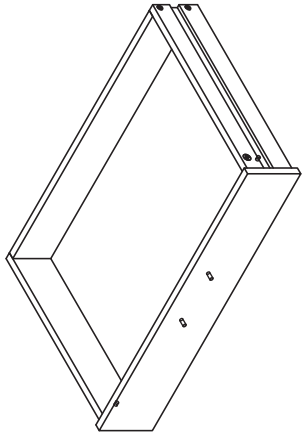
Kx18



4mm Lx1

92645

10 x1



1

Ax2

1

3

2

3

2

5

4

2

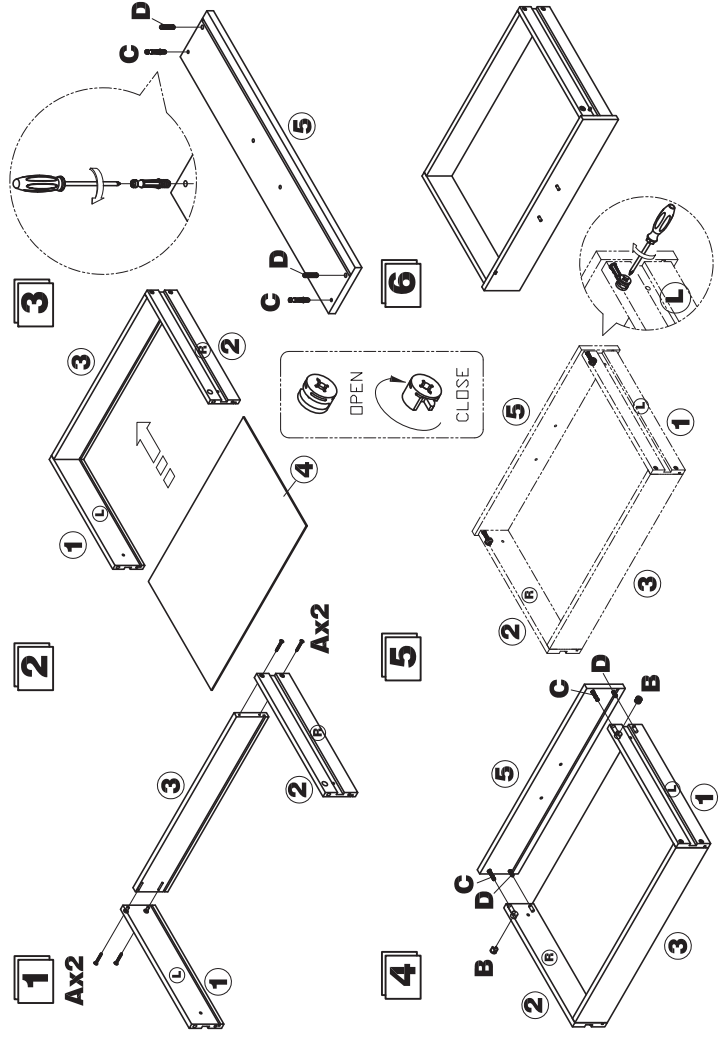
3

5

1

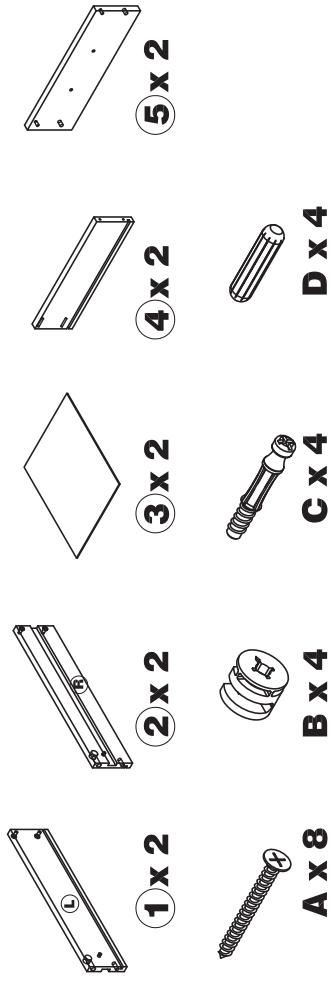
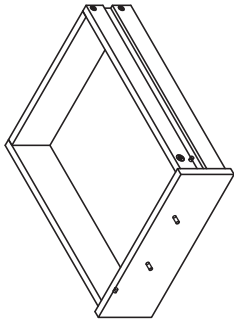
3

1



92645

11 x2



1

Ax2

1

3

2

3

2

5

4

2

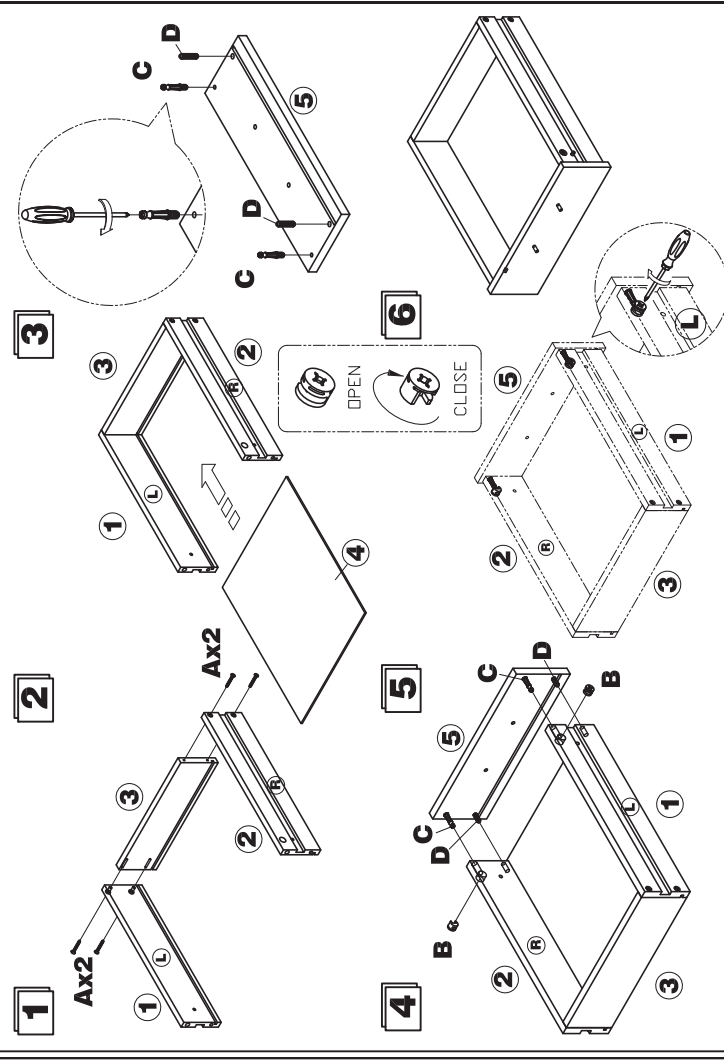
3

5

1

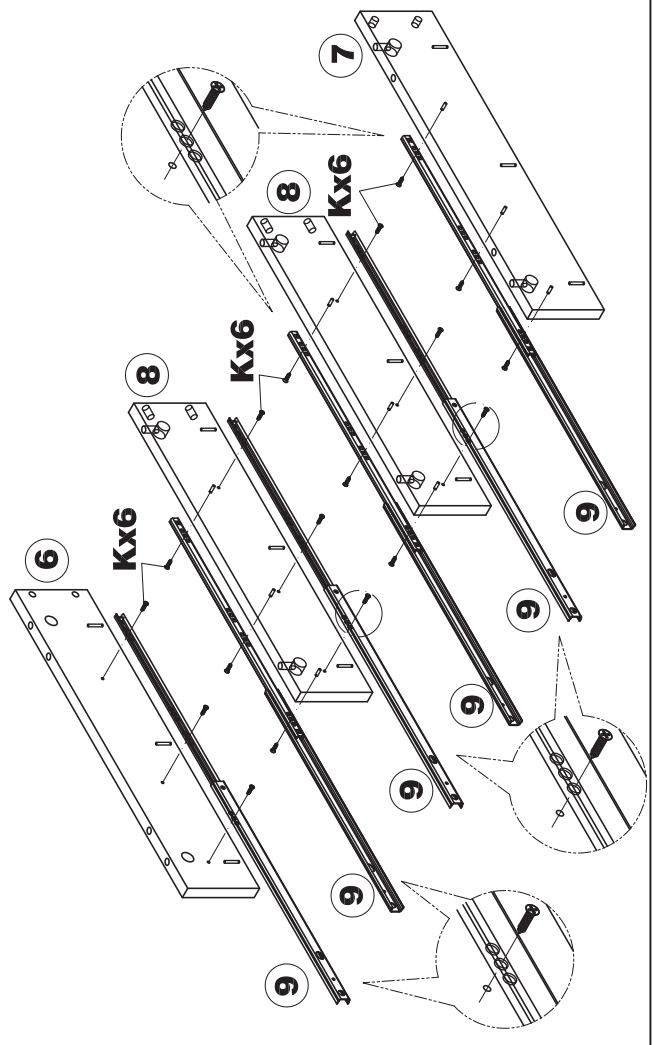
3

1

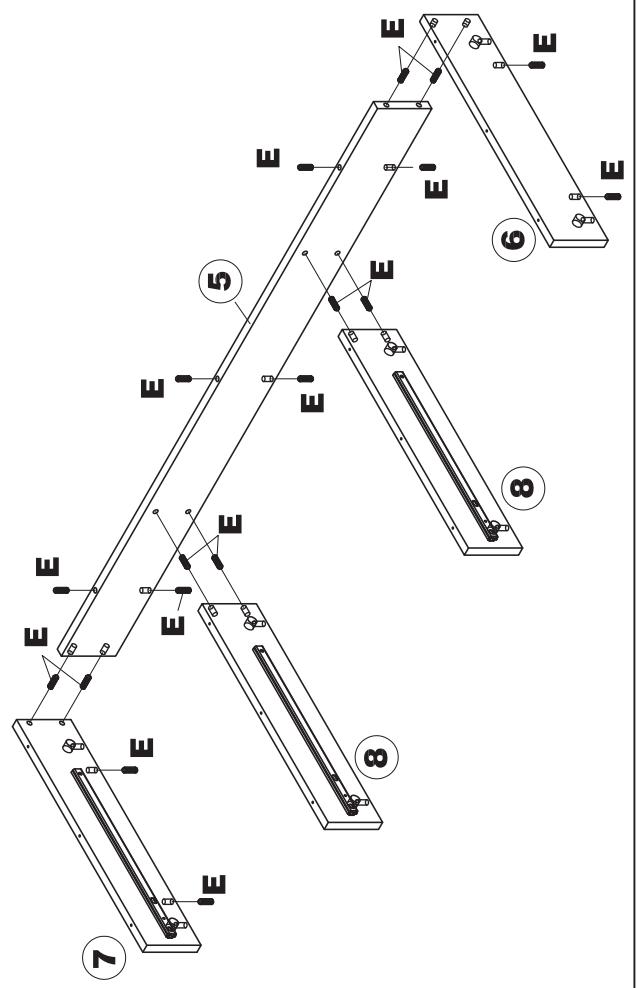


**1**

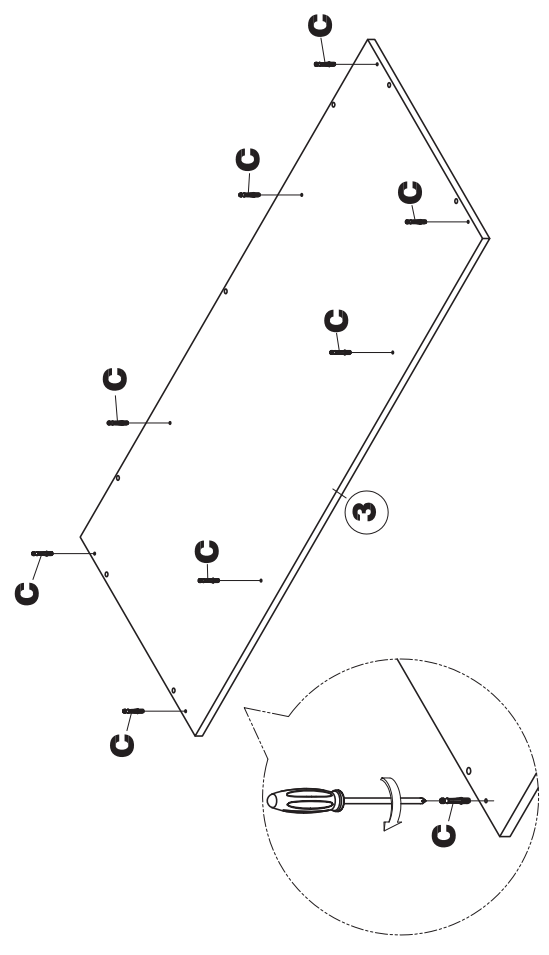
Use screws K to fix rail 9 on wood boards 6, 8 &amp; 7

**3**

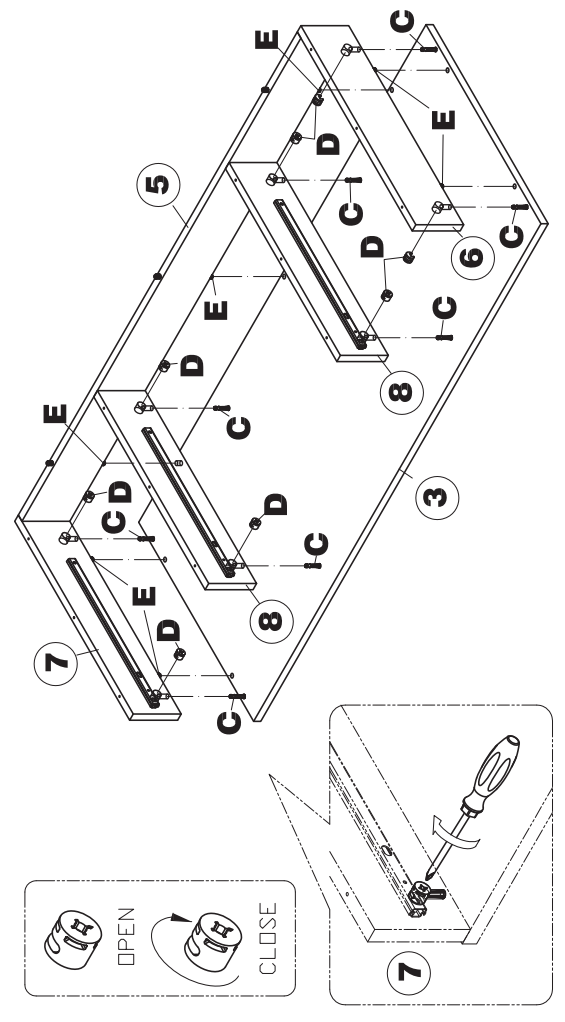
Insert wood pins E in wood boards 5, 6, 7 and 8, then assemble wood board 5 with wood board wood boards 6, 7, and 8

**2**

Use screw drive to install bolts C on wood board 3

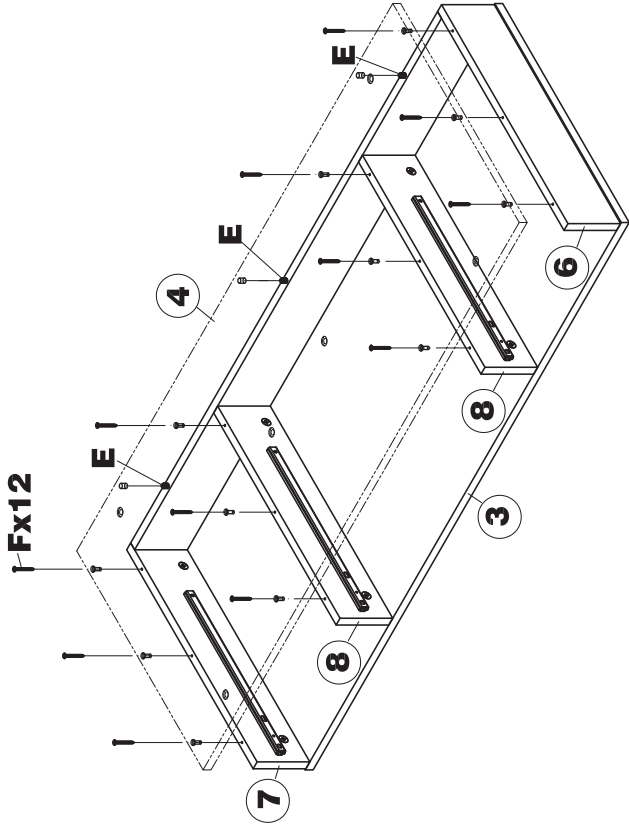
**4**

Insert nuts D in wood boards 6, 7 and 8, then place whole drawer body on wood board 3, next use screw drive to lock nuts. (Please see the narrow aspart on the nut D before you place drawer body on wood board 3)

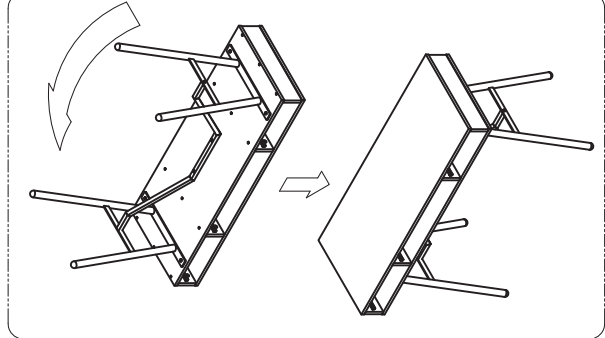
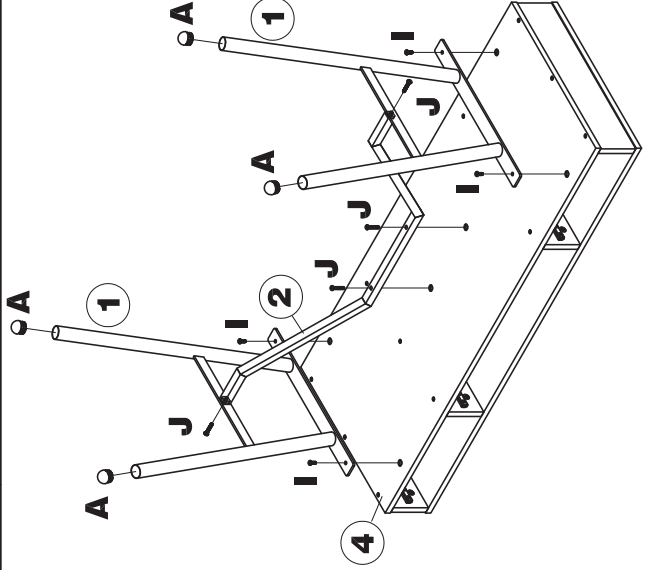


**5**

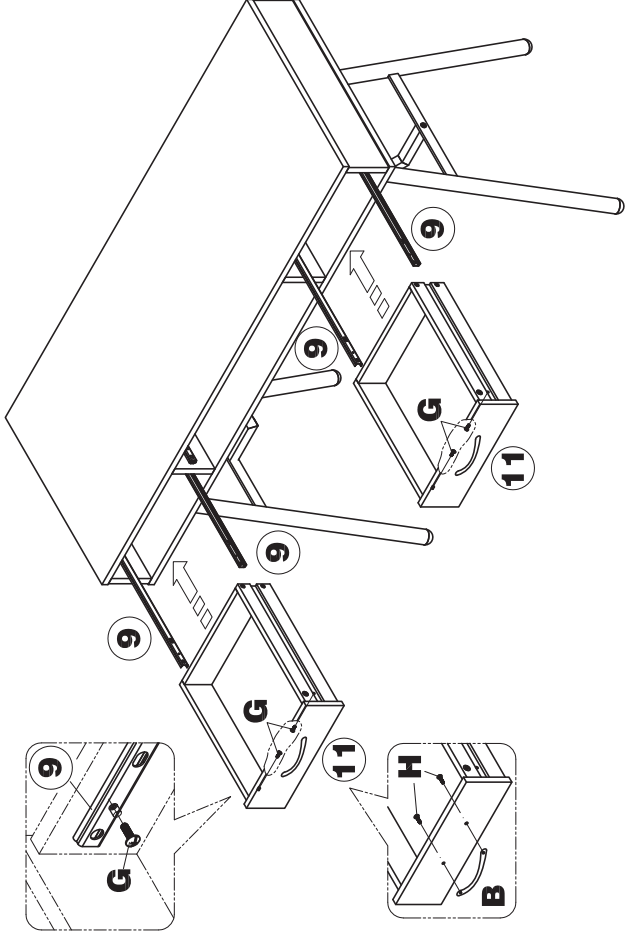
Place bottom board 4 on whole drawer body, then use screws F to fix bottom board 4 with whole drawer body

**6**

Insert end caps A in leg 1, then use screws I and J to fix leg 1 and support bar 2 with drawer body. After assembled, please turn desk up

**7**

Use screws G to fix rail 9 with drawer 11, then use screws H to fix handle B

**8**

Use screws G to fix rail 9 with drawer 10, then use screws H to fix handle B

