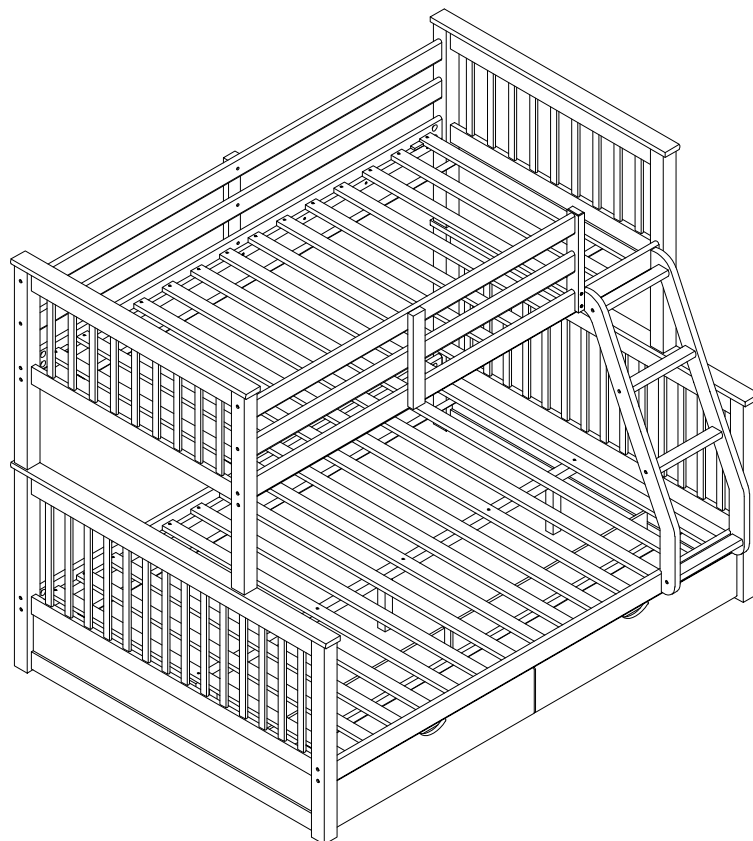






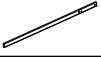
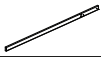





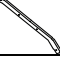

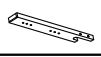
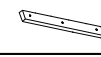
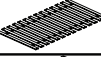
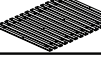
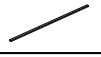
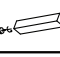
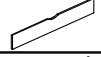

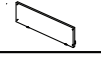
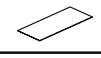

*** Thank you for purchasing this quality product. Be sure to check all packing materials carefully for small parts which may have come loose inside the carton during shipment. Identify and count all parts and compare with parts list below.

*** Assemble product on a flat, soft surface such as a carpet or cloth to prevent scratching the finish. Read all instruction and study the drawings carefully before starting the assembly process.


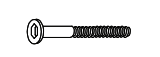
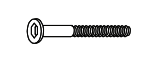




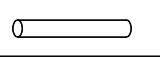





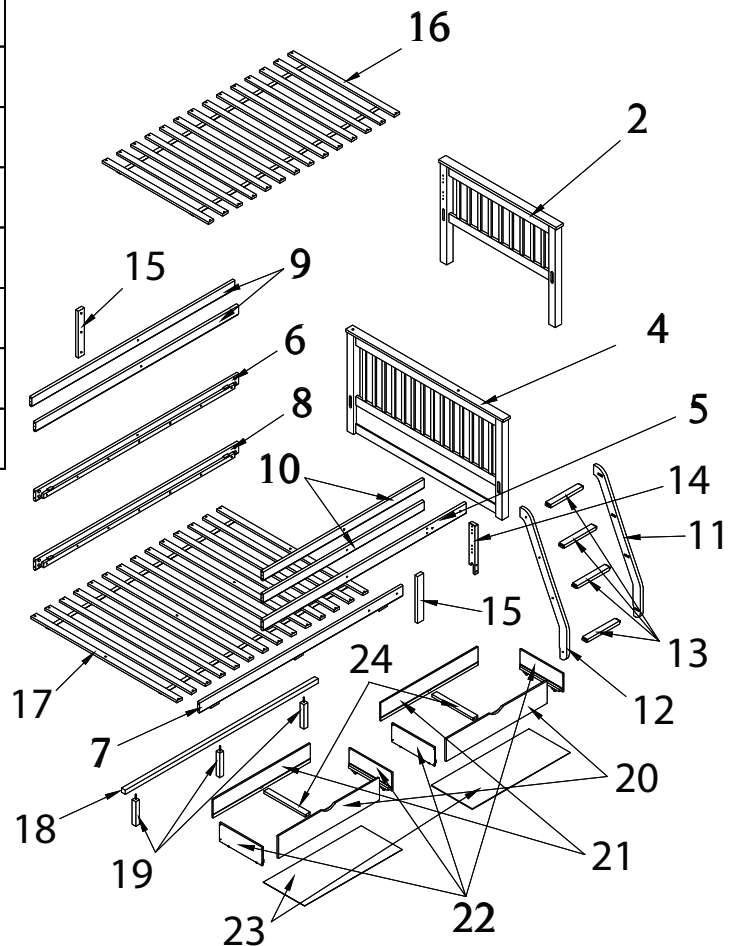
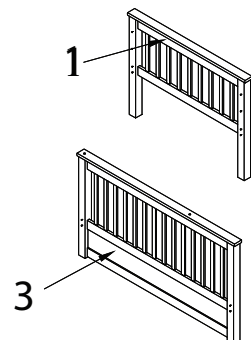
IMPORTANT: Do not tighten bolts completely until all bolts are completely lined up and inserted into holes

PART LIST




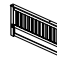


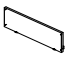
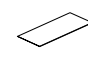

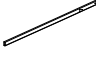

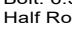
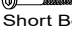
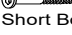
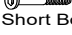



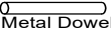
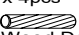



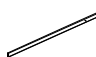






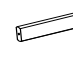
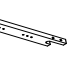

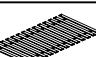
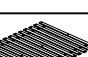

NO...	DIAGRAM	PART NAME	Q'TY
1		Upper HB - Left	1pc
2		Upper HB - Right	1pc
3		LowerHB - Left	1pc
4		Lower HB - Right	1pc
5		Upper front rail	1pc
6		Upper back rail	1pc
7		Lower front rail	1pc
8		Lower back rail	1pc
9		Long guardrail (back)	2 pcs
10		Short guradrail (front)	2pcs
11		Ladder right side	1pc
12		Ladder left side	1pc
13		Ladder step	4pcs
14		Guardrail Attachment	1pc
15		Guardrail support	2pcs
16		Complete twin slat (14pcs/1set)	1 set
17		Complete full slat (14pcs/1set)	1set
18		Center support slat	1pc
19		Leg support	3pcs
20		Front drawer panel	2pcs
21		Back drawer panel	2pcs
22		Side drawer panel	4pcs
23		Bottom drawer panel	2pcs
24		Center support drawer	2pcs

HARDWARE LIST

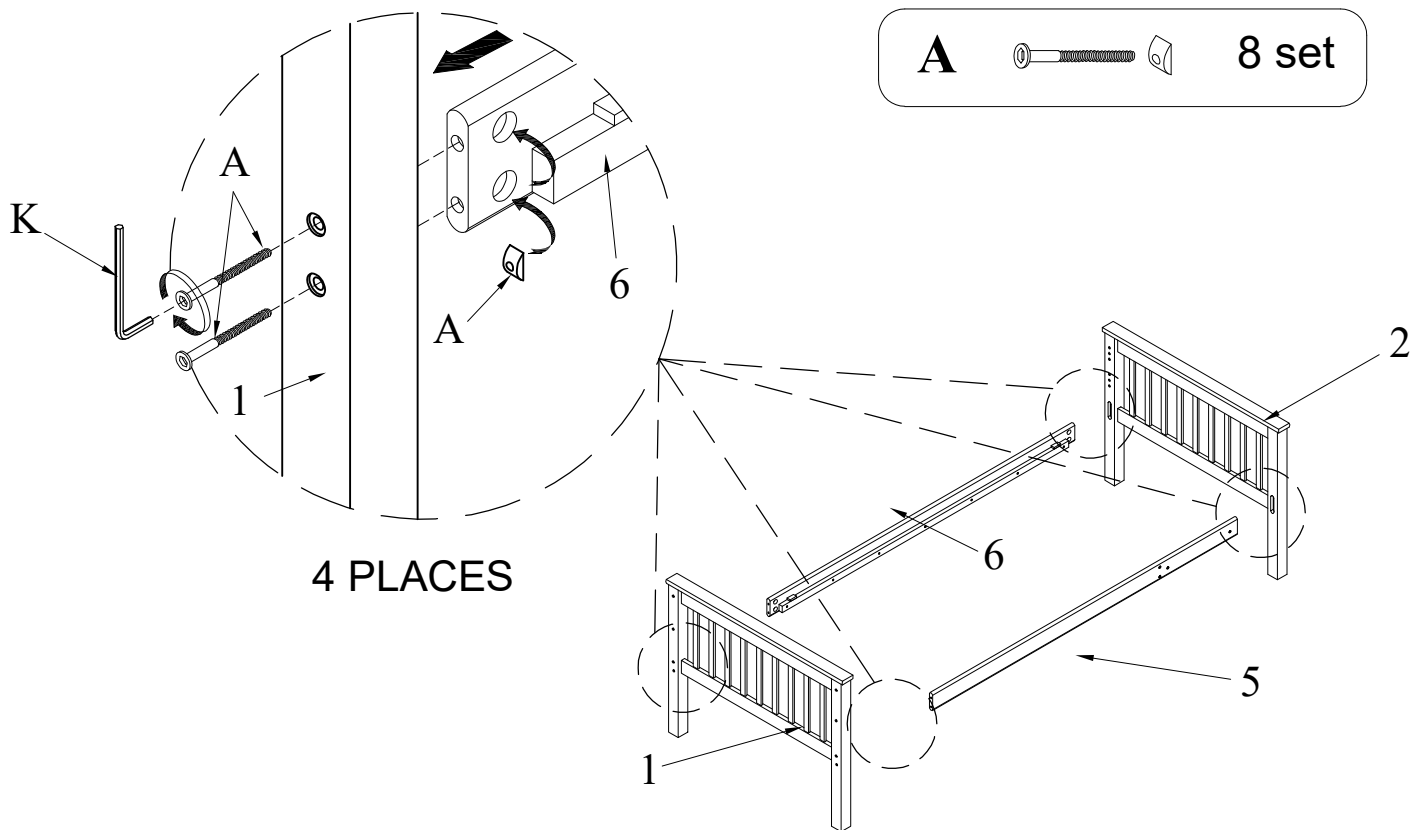
NO.	DIAGRAM	PART NAME	Q'TY
A		Bolt : 6.3 x 100mm Half Round nut	16 sets
B		Short bolt : 6.3 x50mm	2pcs
C		Short bolt : 6.3 x 35mm	4pcs
D		Short bolt: 6.3 x 30mm	6pcs
E		Long srew : 7.8 x 100mm	6pcs
F		Short srew : 7.8 x 50mm	2pcs
G		Screw bolt: 7.8 x 50mm	8pcs
H		Metel Dowel : 90 x 9 x 9mm	4pcs
I		Wood dowel : 40mm	16pcs
J		Screw : 4 x 30mm	84pcs
K		Allen Key M4	1pc



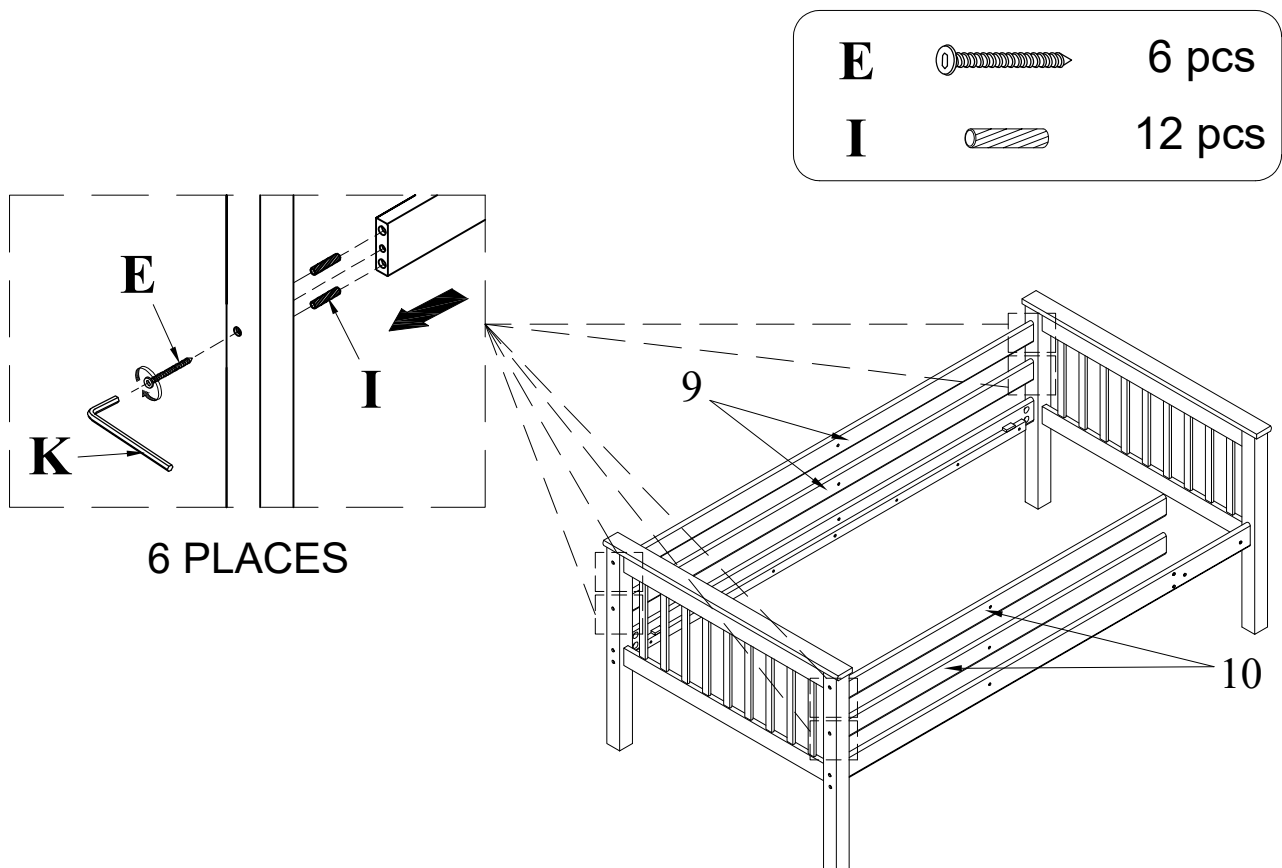
#37755 & 37865 is packed in 2 cases

Carton	Disignation	Part	Hardware
Item: #37755HFDR #37865HFDR	Upper Headboard (Left) x 1pc	#1 	
	Upper Headboard (Right) x 1pc	#2 	
	Lower Headboard (Left) x 1pc	#3 	
	Lower Headboard (Right) x 1pc	#4 	
	Front Drawer Panel x 2pcs	#20 	
	Back Drawer Panel x 2pcs	#21 	
	Side Drawer Panel x 4pcs	#22 	
	Bottom Drawer Panel x 2pcs	#23 	
	Center Support Drawer x 2pcs	#24 	
Item: #37755RL #37865RL	Upper Front Rail x 1pc	#5 	 Bolt: 6.3 * 100 (mm) x 16pcs  Half Round Nut x 16pcs  Short Bolt 6.3 x 50 (mm) x2pcs  Short Bolt 6.3 x 35 (mm) x4pcs  Short Bolt 6.3 x 30 (mm) x6pcs  Long Screw Bolt 7 x 100 (mm) x 6pcs  Screw Bolt 7 x 50 (mm) x 2pcs  Screw Bolt 7 x 50 (mm) x 8pcs  Metal Dowel 9 x 9 x 90 (mm) x 4pcs  Wood Dowel 10 x 40 (mm) x 16pcs  Screw: 4 * 30 (mm) x 84pcs  Allen Key (M4) x1pc
	Upper Back Rail x 1pc	#6 	
	Lower Front Rail x 1pc	#7 	
	Lower Back Rail x 1pc	#8 	
	Long Guardrail (Back) x 2pcs	#9 	
	Short Guardrail (Front) x 2pcs	#10 	
	Ladder Rail (Right Side) x 1pcs	#11 	
	Ladder Rail (Left Side) x 1pc	#12 	
	Ladder Step x 4pc	#13 	
	Guardrail Attachment x 1pc	#14 	
	Guardrail Support x 2pcs	#15 	
	Completed Twin Slat (14pcs/1set)	#16 	
	Complete Full Slat (14pcs/1set)	#17 	
	Center Support slat x 1pc	#18 	
Leg Support x 3pcs	#19 		

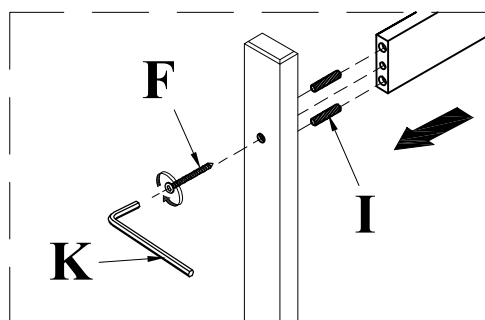
STEP 1: UPPER HEADBOARD (Left + Right) ASSEMBLY

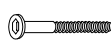




STEP 2: LONG GUARDRAIL - SHORT GUARDRAIL ASSEMBLY

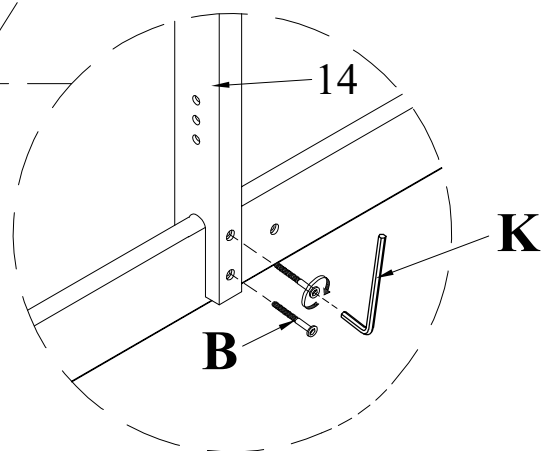
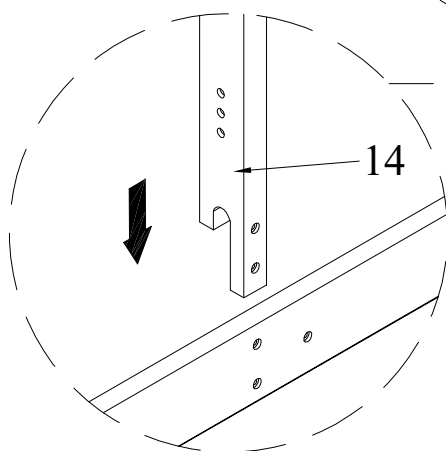
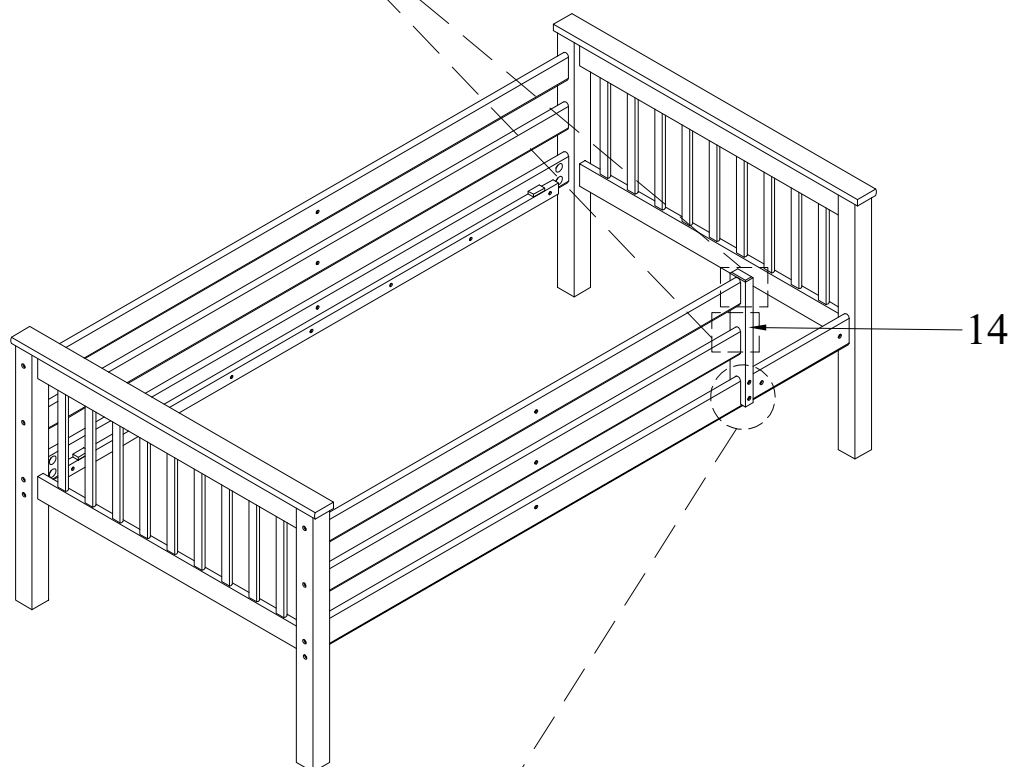


STEP 3: GUARDRAIL ATTACHMENT ASSEMBLY




B		2 pcs
F		2 pcs
I		4 pcs

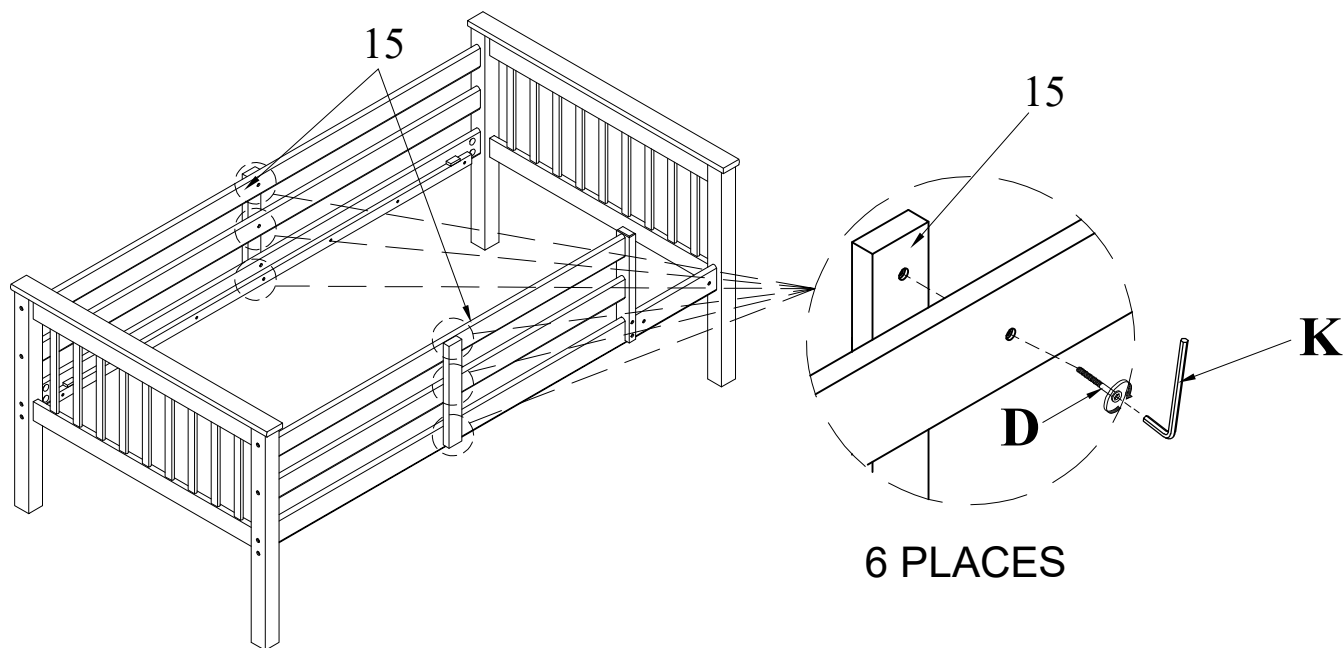
2 PLACES



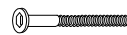

1 PLACES

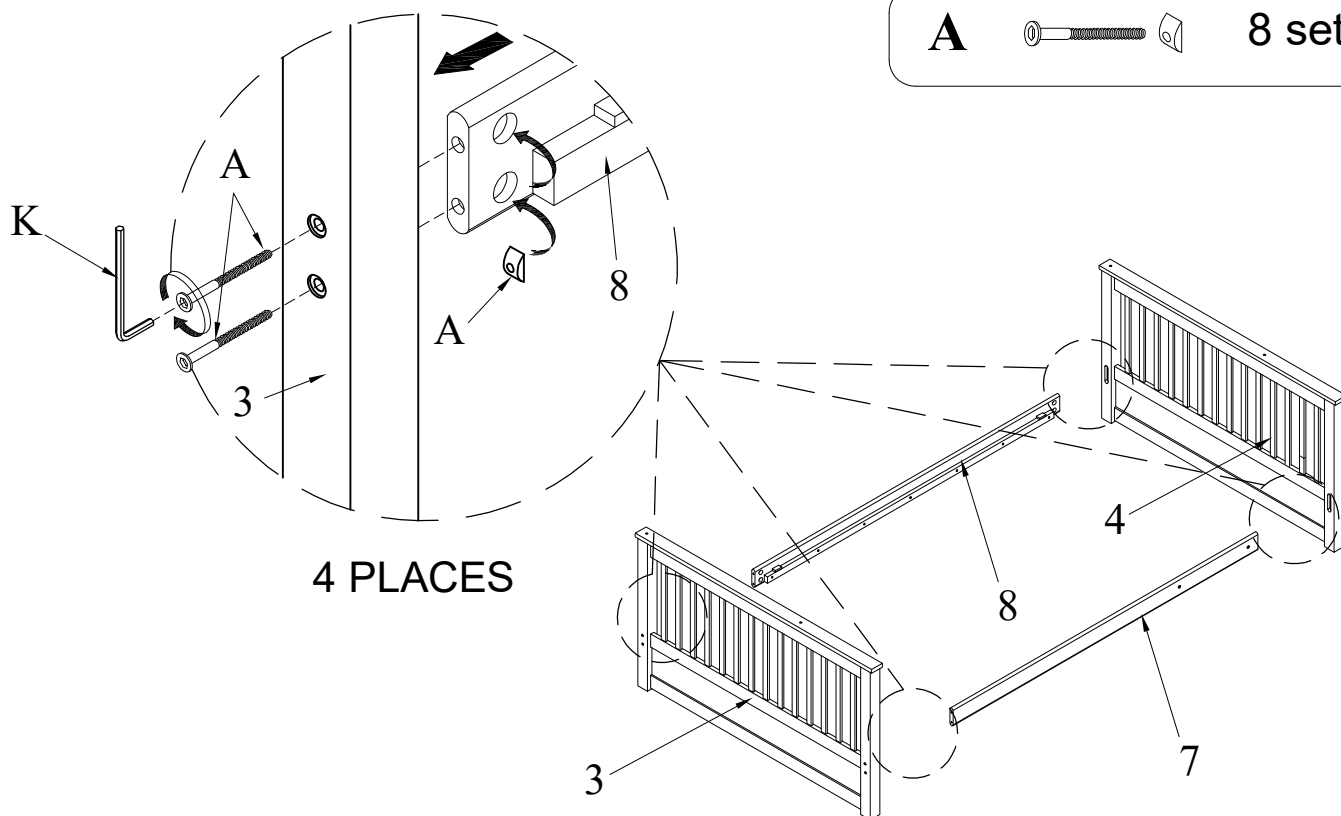
STEP 4: GUARDRAIL SUPPORT ASSEMBLY

D  6 pcs

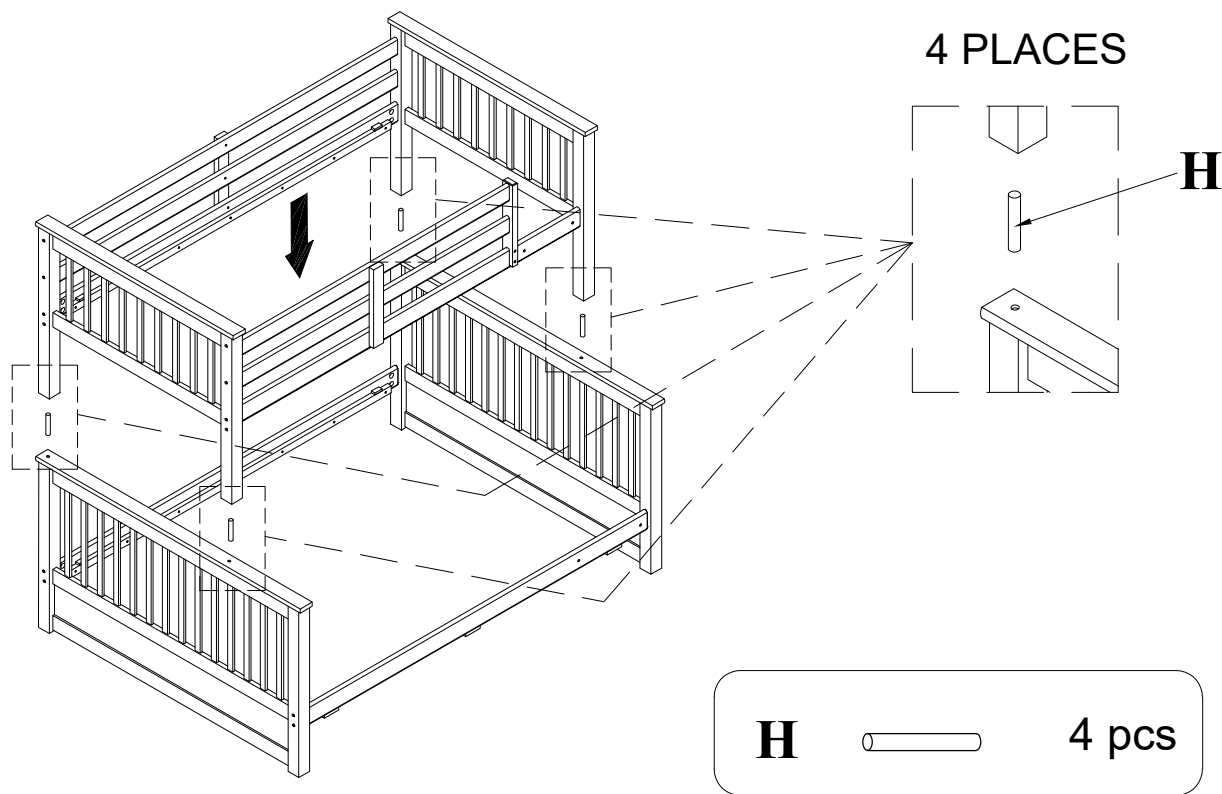


STEP 5: LOWER HEADBOARD ASSEMBLY

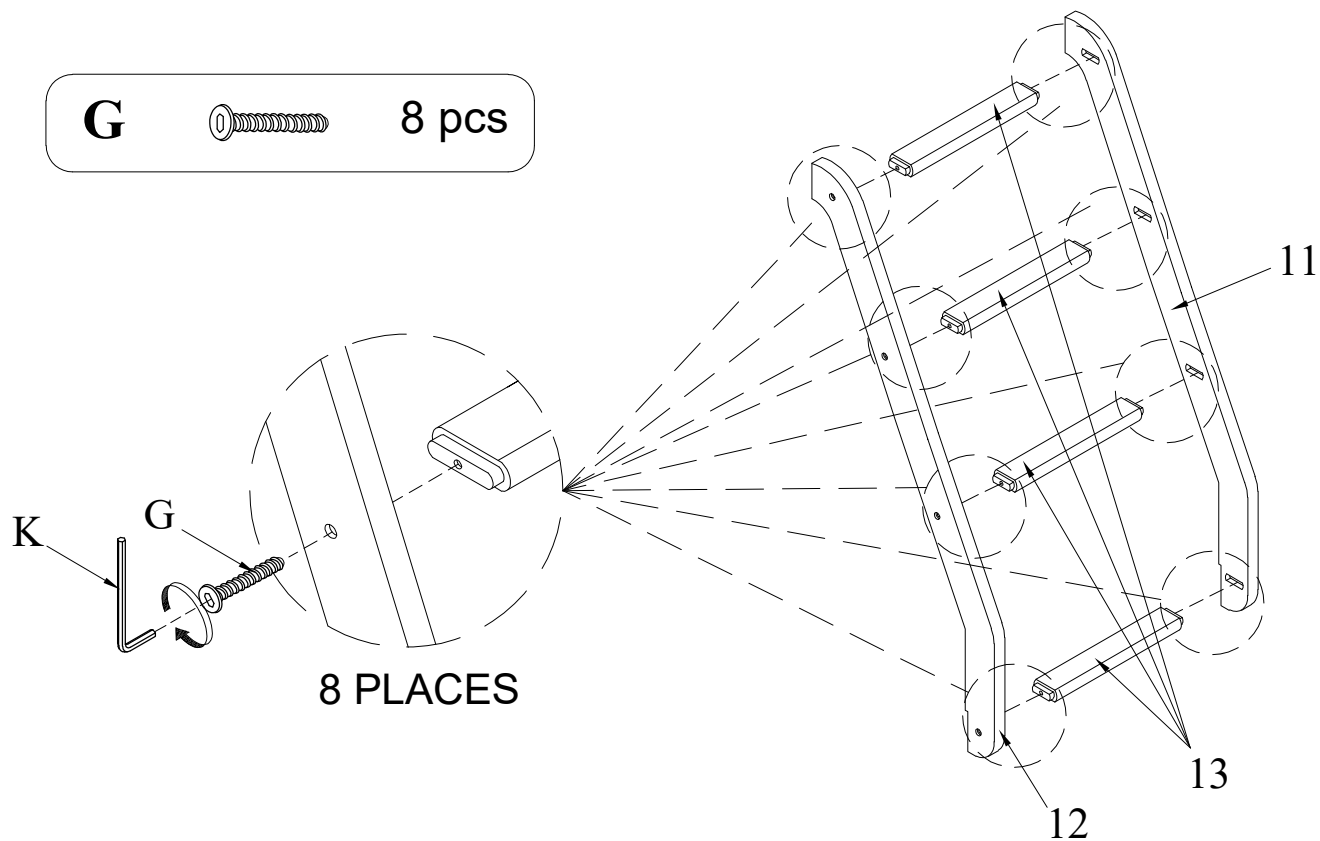
A   8 set



STEP 6: UPPER & LOWER BED ASSEMBLY

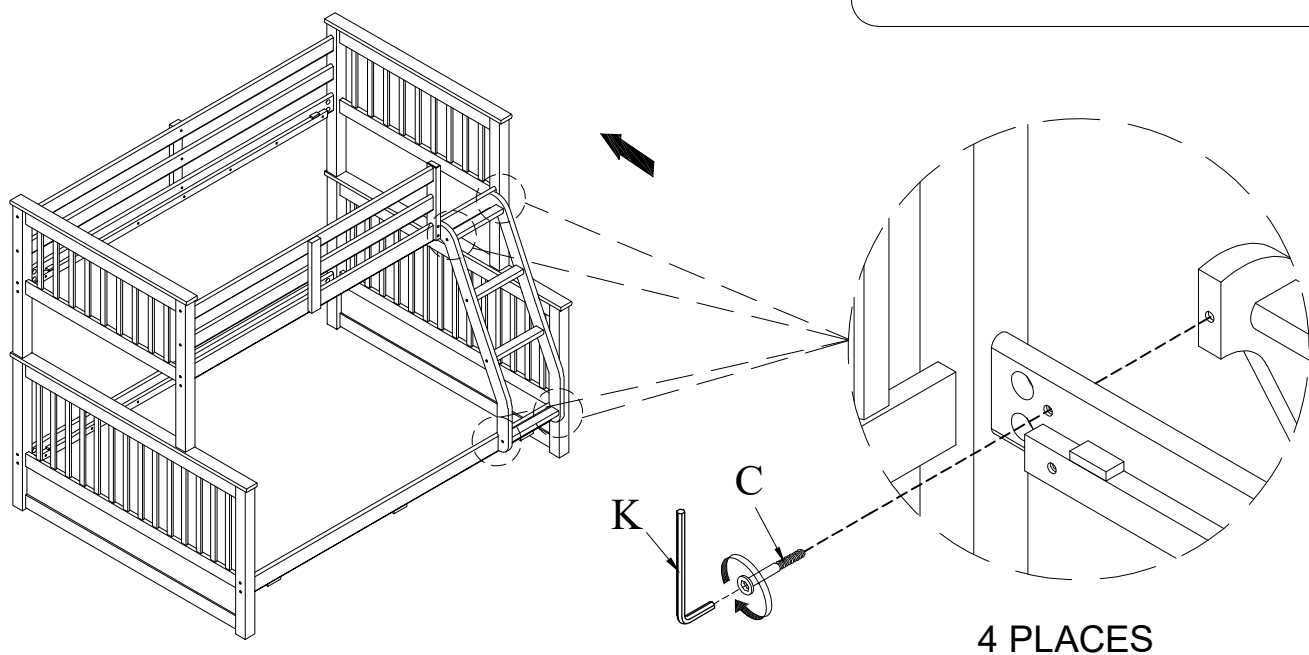


STEP 7: LADDER ASSEMBLY




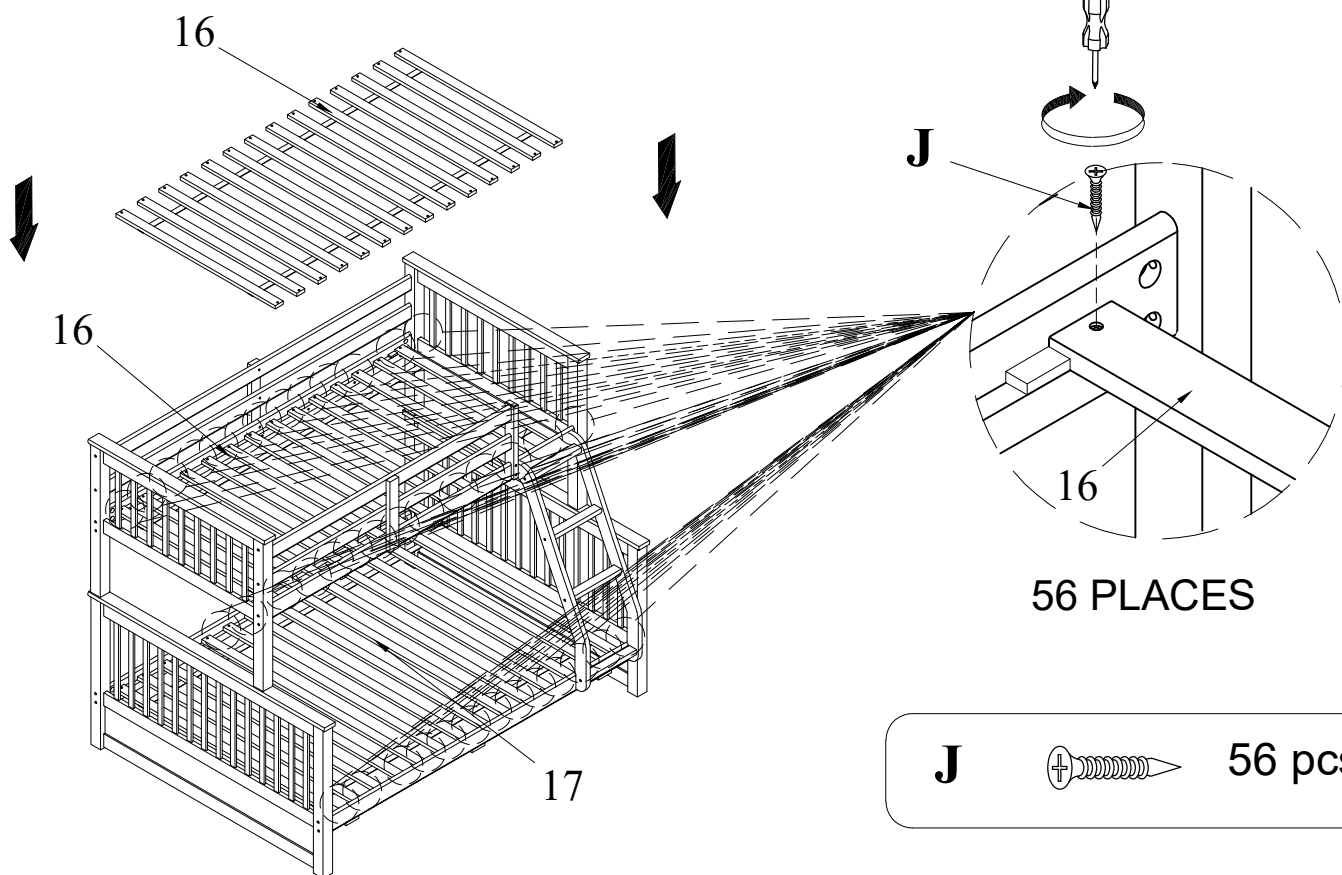
STEP 8: COMPLETED LADDER ASSEMBLY

C  **4pcs**

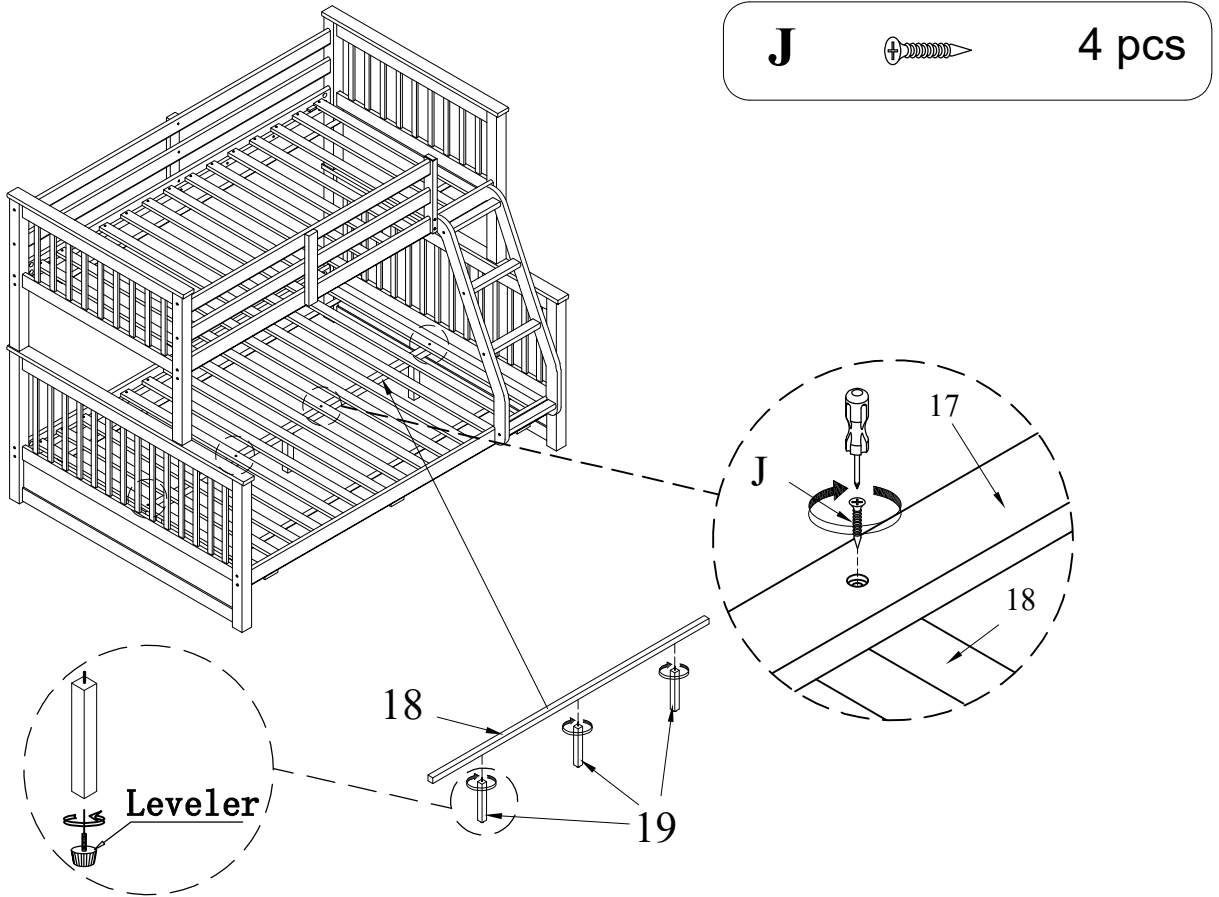


STEP 9: COMPLETED TWIN SLAT ASSEMBLY

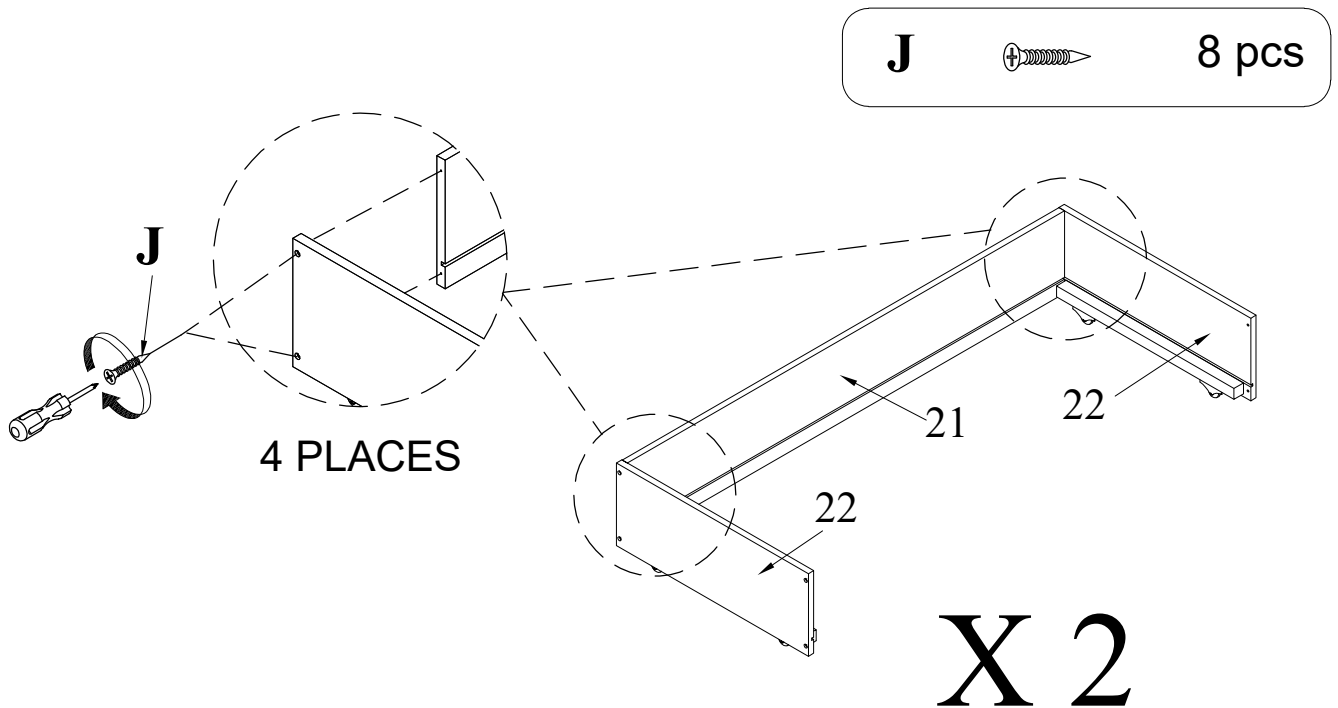
J  **56 pcs**



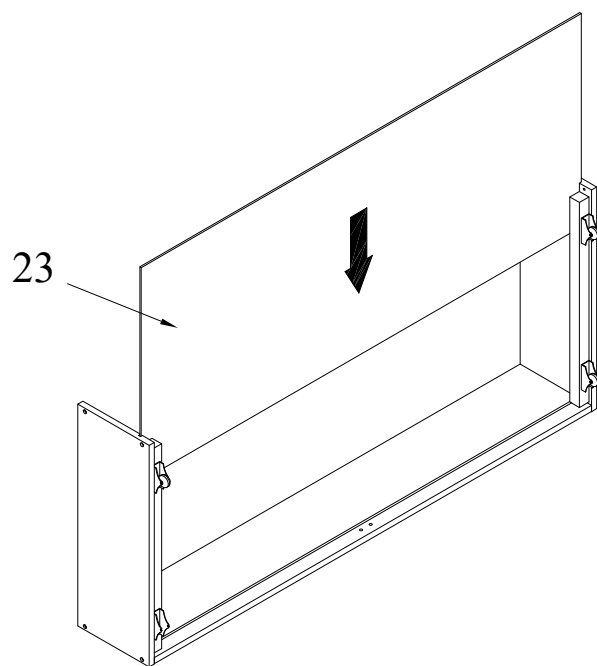
STEP 10: CENTER SUPPORT SLAT & COMPLETE FULL SLAT



STEP 11: BACK DRAWER PANEL & SIDE PANEL DRAWERS ASSEMBLY



STEP 12: BOTTOM DRAWER PANEL ASSEMBLY



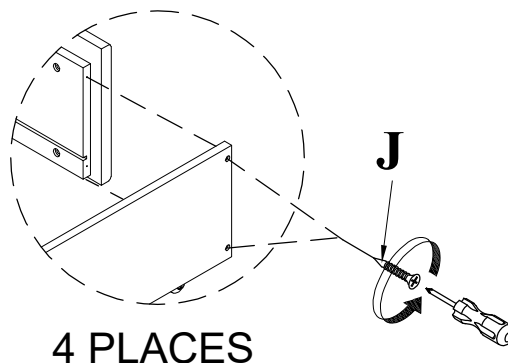
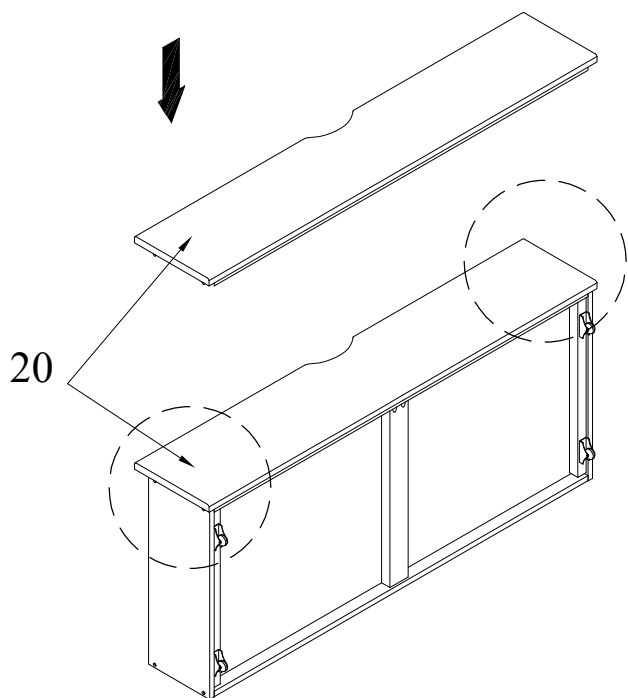
X 2

STEP 13: FRONT DRAWERS PANEL ASSEMBLY

J



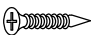
8 pcs

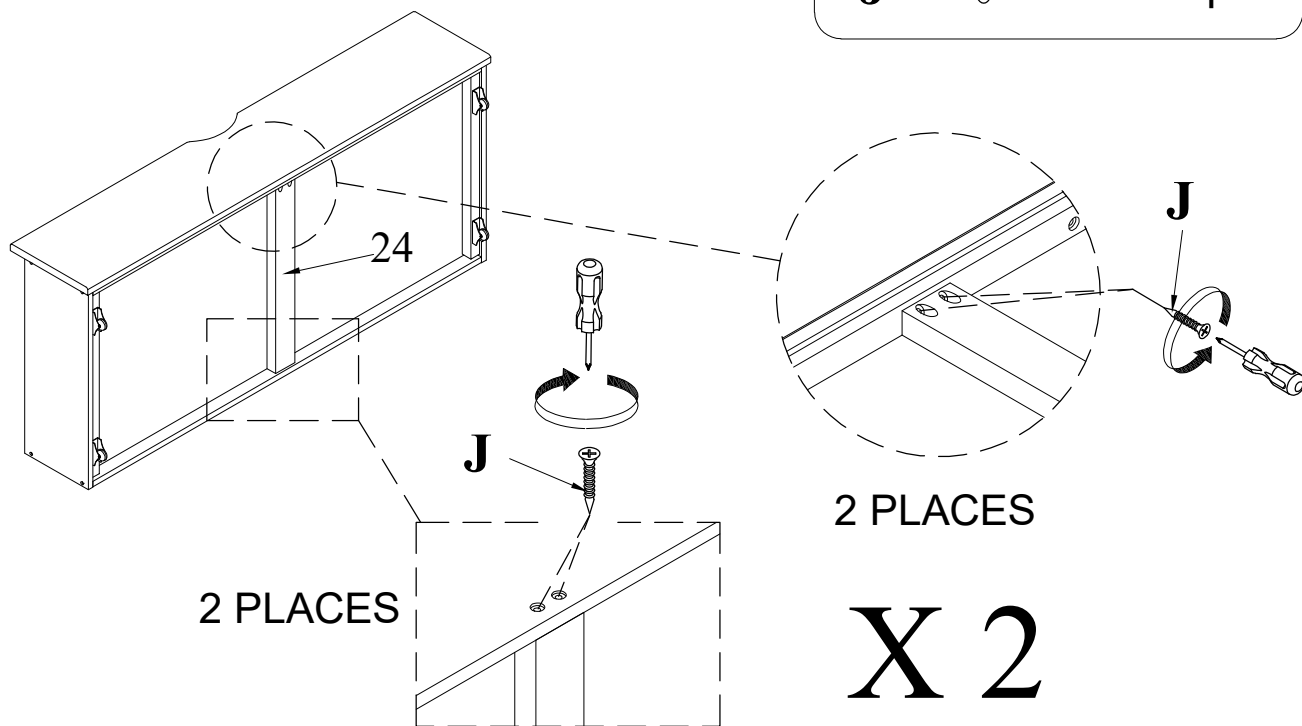


4 PLACES

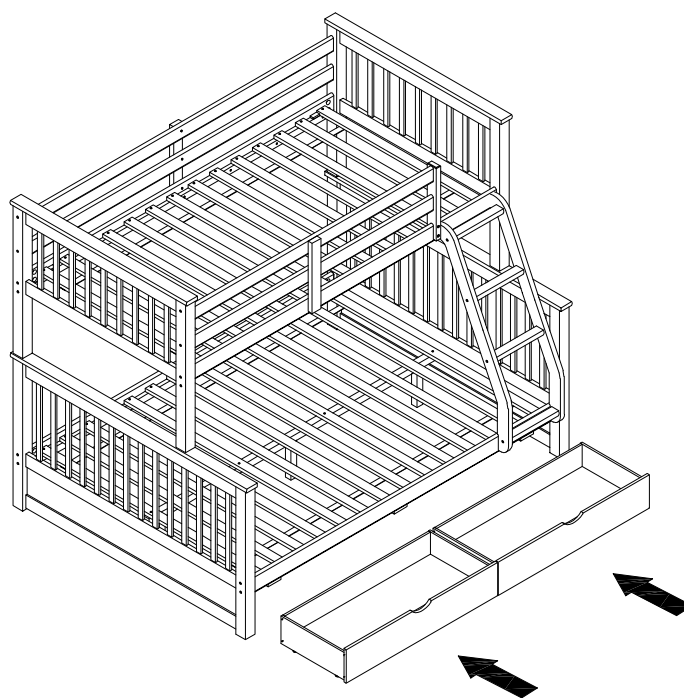
X 2

STEP 14: BOTTOM SIDE PANEL ASSEMBLY

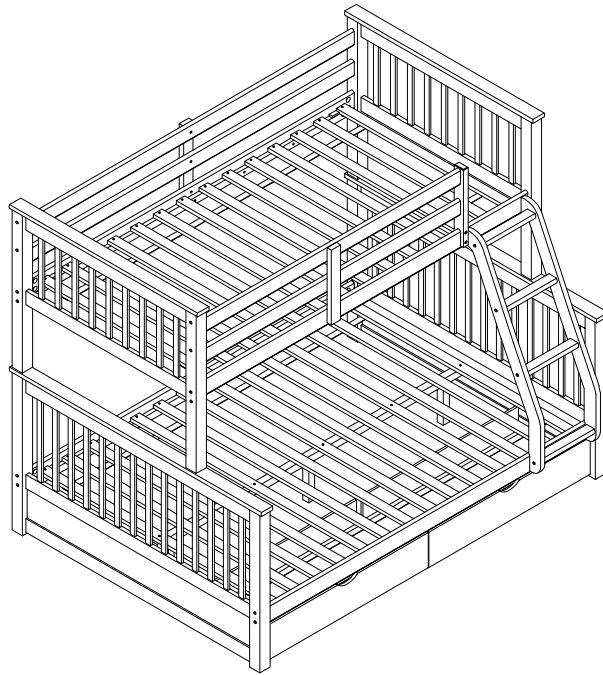
J  8 pcs



STEP 15:



STEP 16:



ASSEMBLY IS COMPLETED

WARNING !!!

To help prevent serious or fatal injuries from entrapment or falls:

1. Follow the information on the warning label appearing on the upper bunk end structure and on the carton. Do not remove warning label from bed.
2. Use only mattress which is 39" WIDE AND 75" LONG ON UPPER BUNK (Twin Size) & Which is 54" WIDE AND 75" LONG ON LOWER BUNK (Full Size)
3. Ensure thickness of upper mattress does not exceed 6" and top surface of mattress is at least 5" below the upper edge of guardrails.
4. Do not allow children under 6 years to use the upper bunk.
5. Periodically check and ensure that the guardrail, ladder, and other components are in their proper position, free from damage, and that all connectors are tight.
6. Do not allow horseplay on or under the bed and prohibit jumping on the bed.
7. Always use ladder for entering and leaving upper bunk.
8. Do not use substitute parts. Contact the manufacturer or dealer for replacement parts.
9. Use of a night-light may provide added safety precaution for a child using the upper bunk.
10. Always use guardrails on both long sides of the upper bunk. If the bunk bed will be placed next to a-wall, the guardrail that runs the full length of the bed should be placed against the wall to prevent entrapment between the bed and the wall.
11. The use of water or sleep flotation mattresses is prohibited.

STRANGULATION HAZARD:

12. Never attach or hang items to any part of the bunk bed that are not designed for use with the bed, for example, but not limited to, hooks, belts and jump ropes.
13. Prohibit more than one person on upper bunk.
14. Maximum total weight not to exceed-150 lbs on the upper bunk, and maximum 200 lbs on lower bunk.
15. Keep these instructions for future reference.